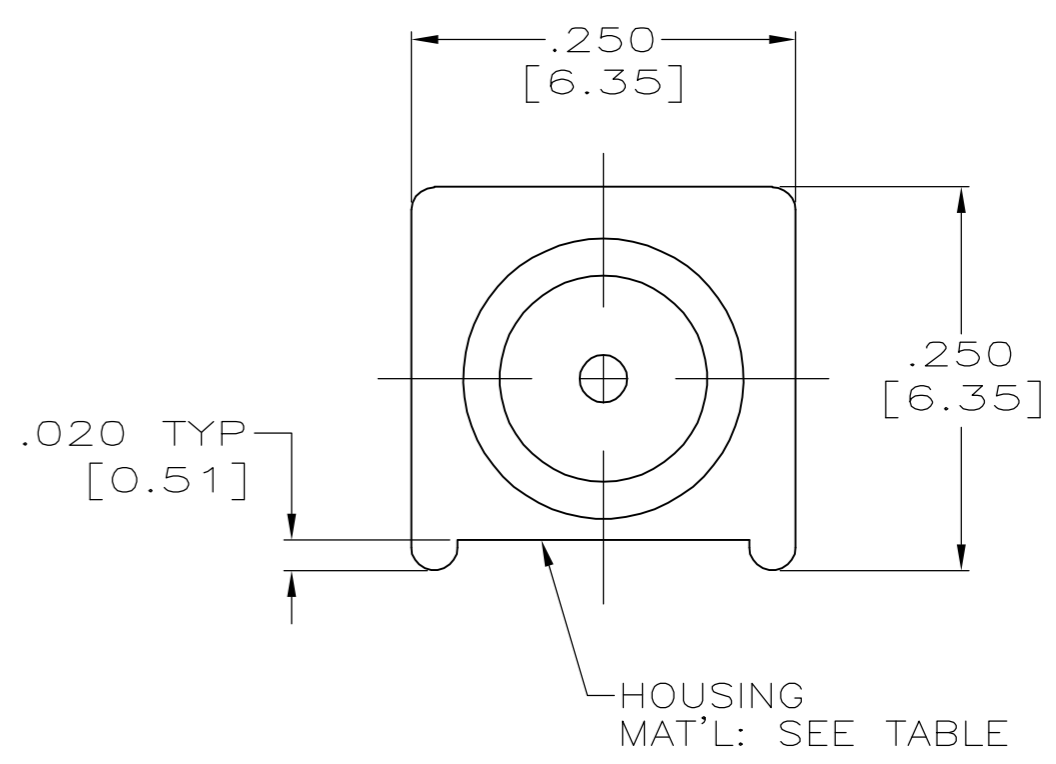
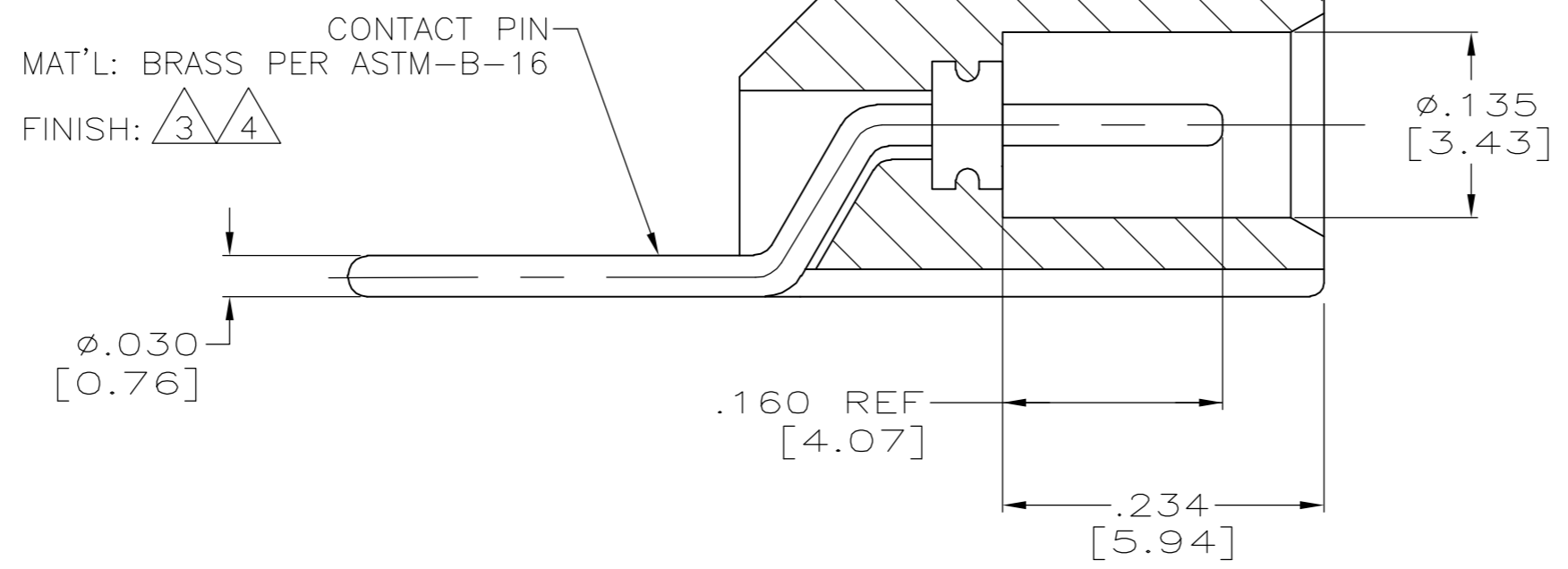
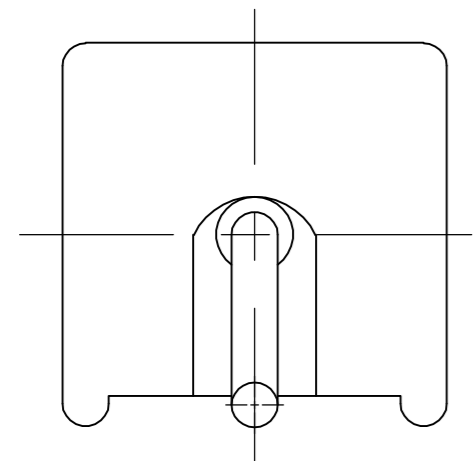
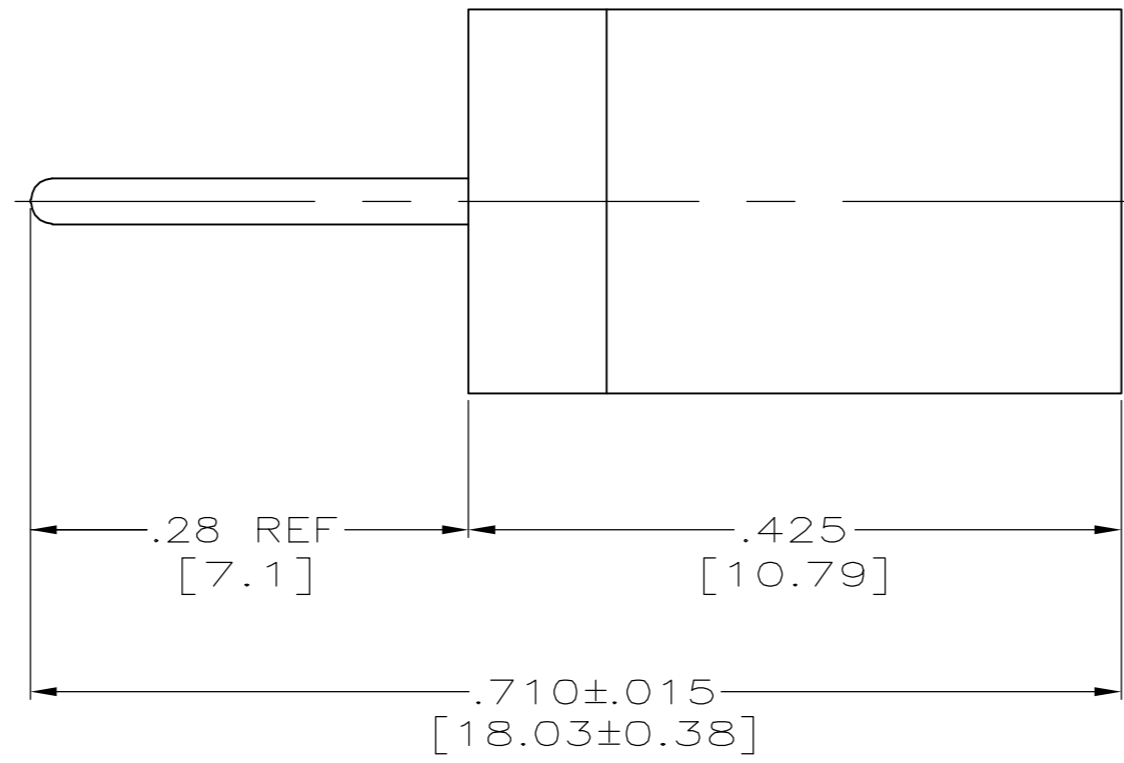


THIS DRAWING IS UNPUBLISHED. RELEASED FOR PUBLICATION - N/A .
 © COPYRIGHT N/A BY TYCO ELECTRONICS CORPORATION. ALL RIGHTS RESERVED.

LOC	DIST	REVISIONS					
		P	LTR	DESCRIPTION	DATE	DWN	APVD
DF	S0	D		REV PER 0H14-0191-05	05-05	AA	DE

- ① MAT'L: GLASS FILLED EPOXY. COLOR: BLACK
- ② MAT'L: PPS THERMOPLASTIC POLYMER. COLOR: BROWN
- ③ PLATE 93/7 TIN-LEAD OR TIN PER ASTM-B-545 OVER NICKEL PLATE.
- ④ PLATE TIN PER ASTM-B-545 OVER NICKEL PLATE.



REMARKS	MATERIAL	PART NUMBER
④	②	5-1218055-2
④	①	5-1218055-1
③	②	1218055-2
③	①	1218055-1

THIS DRAWING IS A CONTROLLED DOCUMENT.		DWN C.C.THOMAS 23-SEP-97	Tyco Electronics Corporation Harrisburg, Pa 17105-3608	
DIMENSIONS: INCHES		CHK D. EABY 25-SEP-97		
TOLERANCES UNLESS OTHERWISE SPECIFIED:		APVD D. EABY 25-SEP-97	NAME	
0 PLC ± - 1 PLC ± - 2 PLC ± - 3 PLC ± .005[0.13] 4 PLC ± - ANGLES ± - FINISH -		PRODUCT SPEC	RECEPTACLE ASSY SURFACE MOUNT RGL, LGH	
MATERIAL		APPLICATION SPEC	SIZE A2	CAGE CODE 00779
		WEIGHT	DRAWING NO C=1218055	
		CUSTOMER DRAWING	RESTRICTED TO	
		SCALE 8:1	SHEET 1 OF 1	REV D

1218055