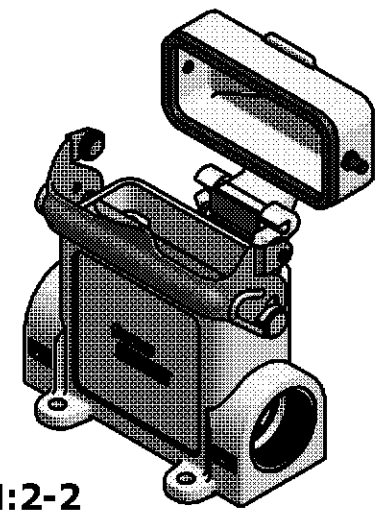
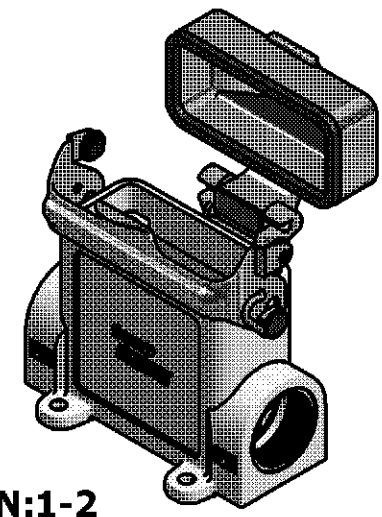


NOTES

- 1 PACKAGING QUANTITY: 5 PIECES PER BOX
- 2 MATERIAL:HOUSING:ALUMINIUM DIE CAST ALLOY
- 3 SURFACE:VARNISH GREY
:ALUMINIUM OXIDE + VARNISH BLACK
- 4 VARNISH ON THE INSIDE NOT NECESSARY

(1 : 2)

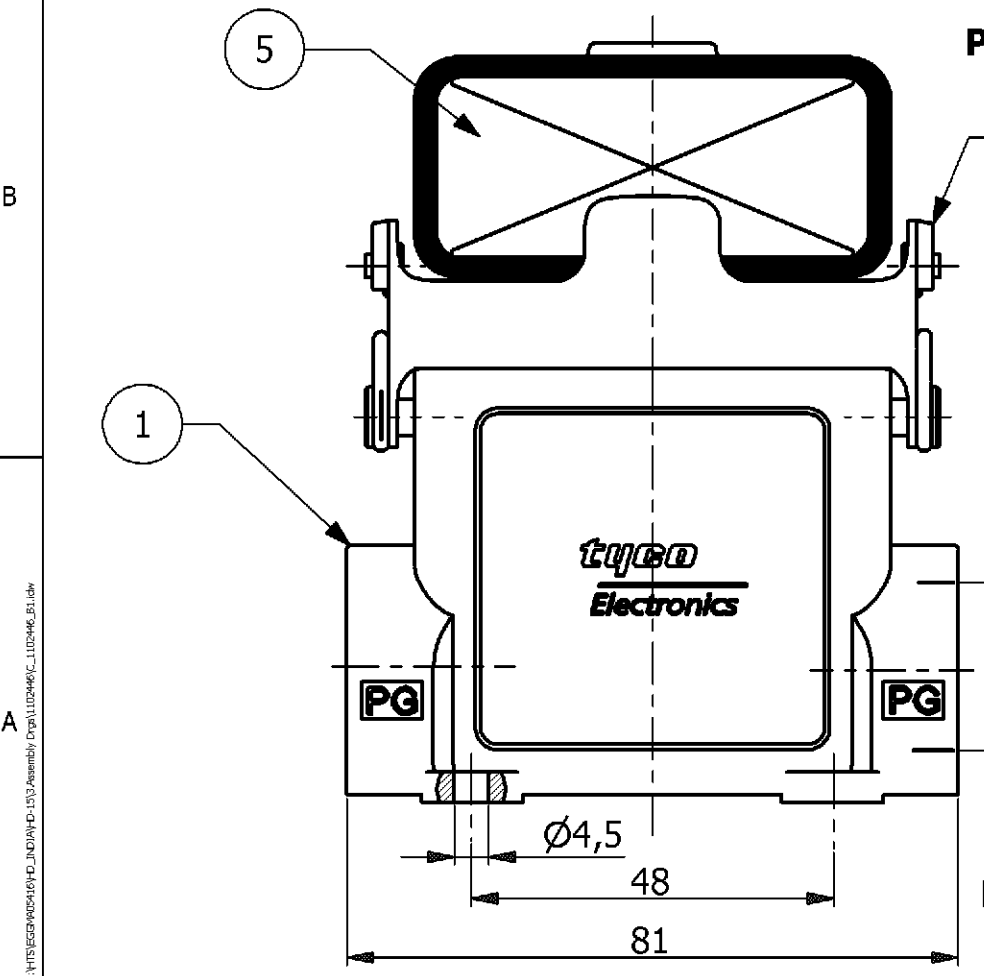
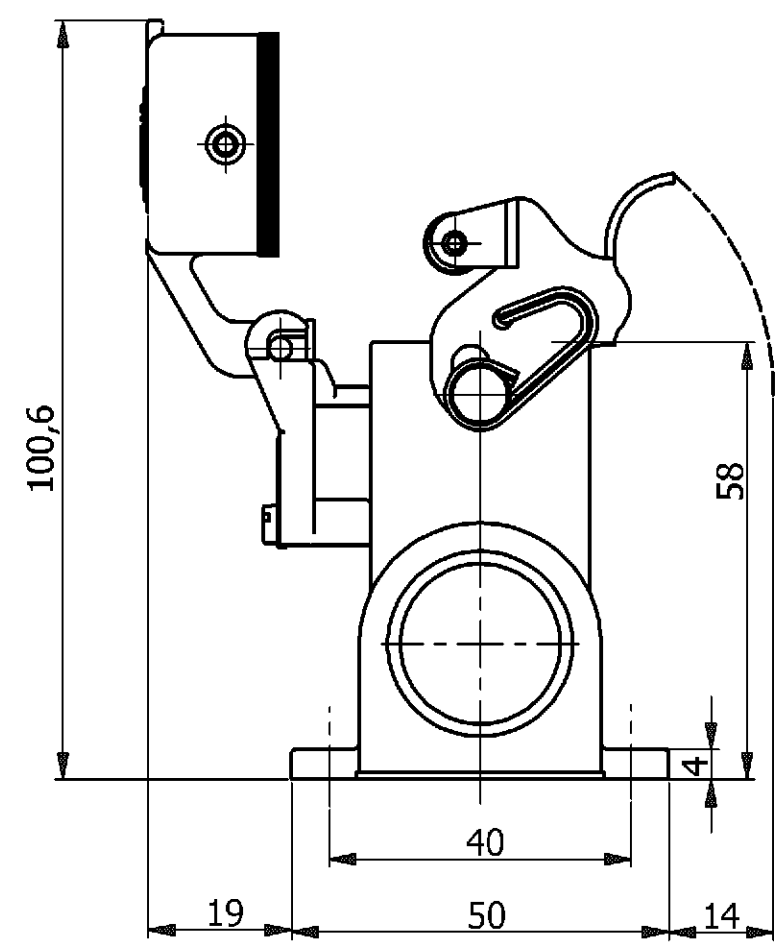
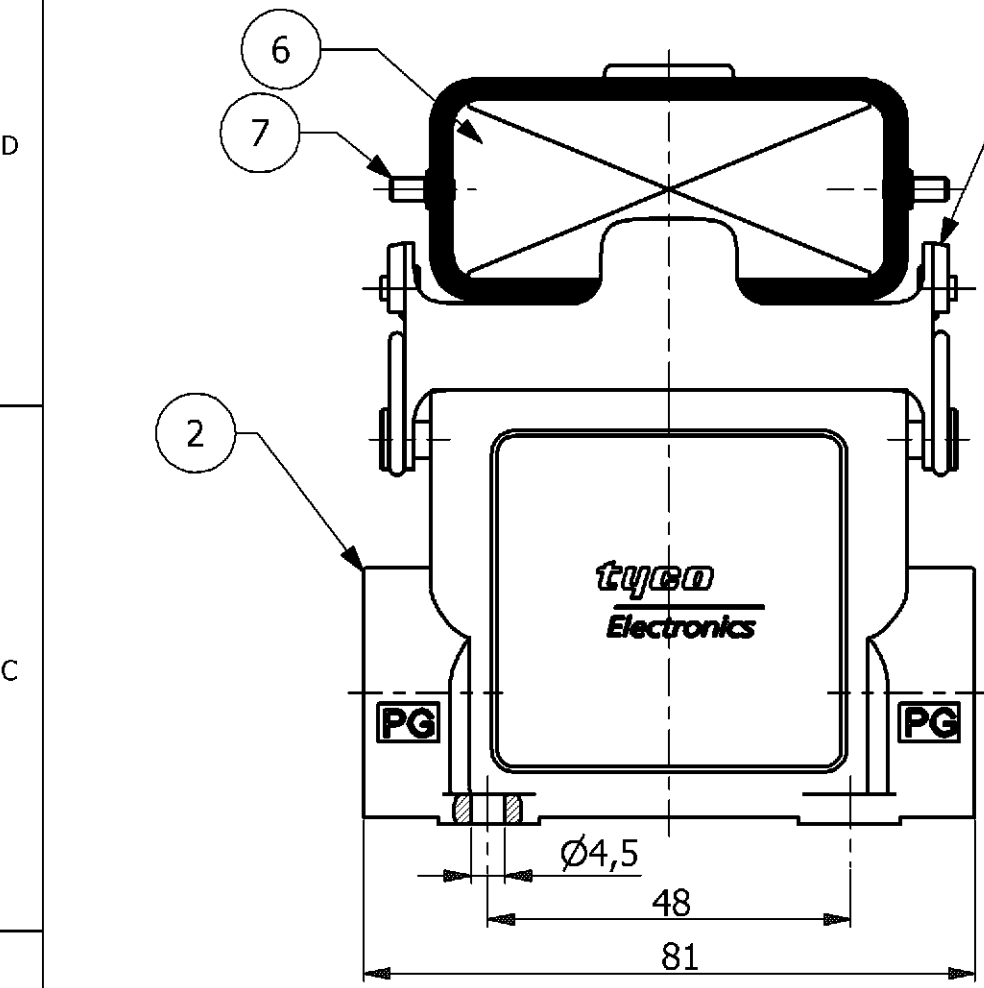


PN:1-2
Ordering Text:
HD.15.SGD-LB.1.16 Z

PN:2-2
Ordering Text:
HD-K.15.SGD-LB 1.16 Z

QTY	DESCRIPTION	MATERIAL	SURFACE	COLOR	ITEM NO.	REMARKS
2	Clip Bolt	Stainless Steel	Blank	-	7	-
1	Cover	Aluminium	Aluminium oxide	Black	6	-
-	1 Cover	Aluminium	-	Grey	5	-
1	Clip	Stainless Steel	Blank	-	4	-
-	1 Clip	Steel	Zinc Plated	Blue	3	-
1	Surface Mounting Housing Side Entry,HD-K	Aluminium	Aluminium oxide	Black	2	-
-	1 Surface Mounting Housing Side Entry,HD	Aluminium	-	Grey	1	-

THIS DRAWING IS A CONTROLLED DOCUMENT FOR AMP INCORPORATED. IT IS SUBJECT TO CHANGE AND THE CONTROLLING ENGINEERING ORGANIZATION SHOULD BE CONTACTED FOR THE LATEST REVISION. DIESSES ZEICHNUNGSDOKUMENT WIRD DURCH AMP INCORPORATED KONTROLLIERT. ÄNDERUNGEN, DIE DEM TECHNISCHEN FORTSCHRITT DIENEN, SIND VORBEHALTEN. DEN JEWEILS LETZTGÜLTIGEN ÄNDERUNGSSTAND ERFAHREN SIE AUF ANFRAGE.		DWN	4/24/2006		Tyco / Electronics AMP GmbH D - 53819 Neunkirchen,Germany
DIMENSIONS: DIMENSIONEN: mm		CHK	4/24/2006		
TOLERANCES UNLESS OTHERWISE SPECIFIED: ALLGEMEINTOLERANZEN		APVD	4/24/2006		
0 PLC # 1 PLC # 2 PLC # 3 PLC # ANGLES / WINKEL #		NAME	T.SCHNURPFEIL	SURFACE MOUNTED HOUSING-SIDE ENTRY	
MATERIAL		PRODUCT SPEC. PRODUKTSPEZ.	108-74009	HD.15.SGD-LB-1.16.Z	
FINISH / OBERFLÄCHE / FARBE		APPLICATION SPEC. VERARBEITUNGSSPEZ.	114-74004	SIZE	RESTRICTED TO NUR FUER
2		WEIGHT GEWICHT	-	A3	
3		CUSTOMER DRAWING / KUNDENZEICHNUNG		CAGE CODE	SCALE
				00779	MASSSTAB
				1102446	1:1
				1	SHEET
				1	BLATT
				1	OF
				1	VON
				B1	REV.



PN:2-2 as shown

PN:1-2 as shown