

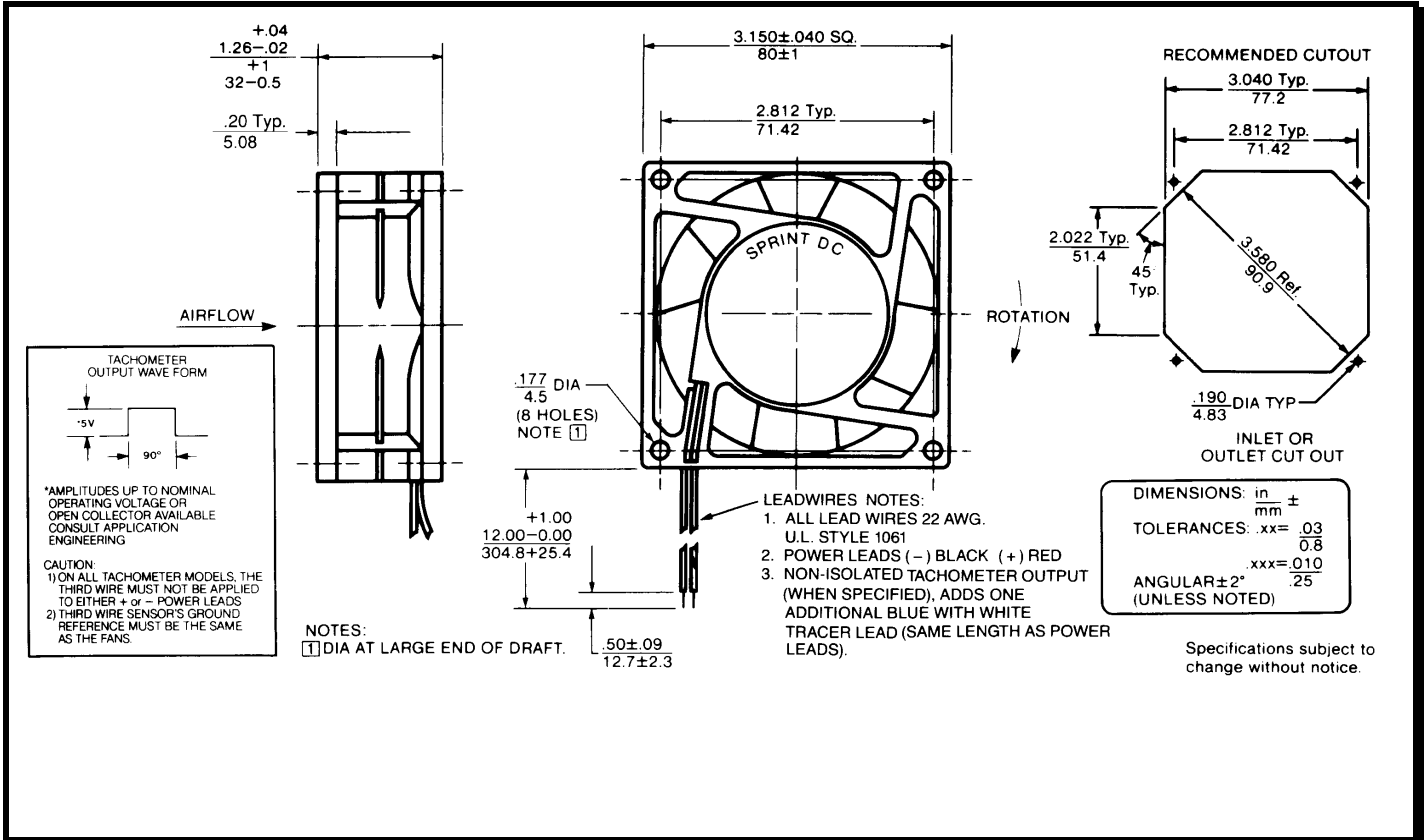
SPECIFICATIONS



Model Number STD24B3-E3
Part Number: 17001214A

Version: 00
 Jun 13, 2018

Mechanical Drawing:



Motor:

Nominal Voltage = 24 vdc
 Operating Voltage Range = 16 - 32 vdc
 Nominal Running Current = 0.140 amps
 Max. Locked Rotor Current = 0.400 amps
 Running Power = 3.3 watts
 Average Speed = 3400 RPM
 Bearings = Ball
 Air Flow = 32 CFM
 Acoustic = 40.9 dBA

Construction:

Venturi: Plastic, Black, UL 94V-0.
 Propeller: Polypropylene, Black, UL 94V-0

Life Expectancy:

This fan is designed for continuous duty life of 45,000 hours at 70°C.

Additional Features:

Brushless DC Motor
 Electronic Locked Rotor Protection
 Polarity Protected
 Automatic Restart Capability
 Operating Temperature: -10 °C to 70 °C
 Storage Temperature: -40 °C to 85 °C
 Environmental Protection: Type 3(IP68)

Termination:

12" Lead wires, AWG 22, UL 1061
 Red = Power (+)
 Black = Return (-)

Agency Approvals:

UL, CUL, CE

PQ Curve:

