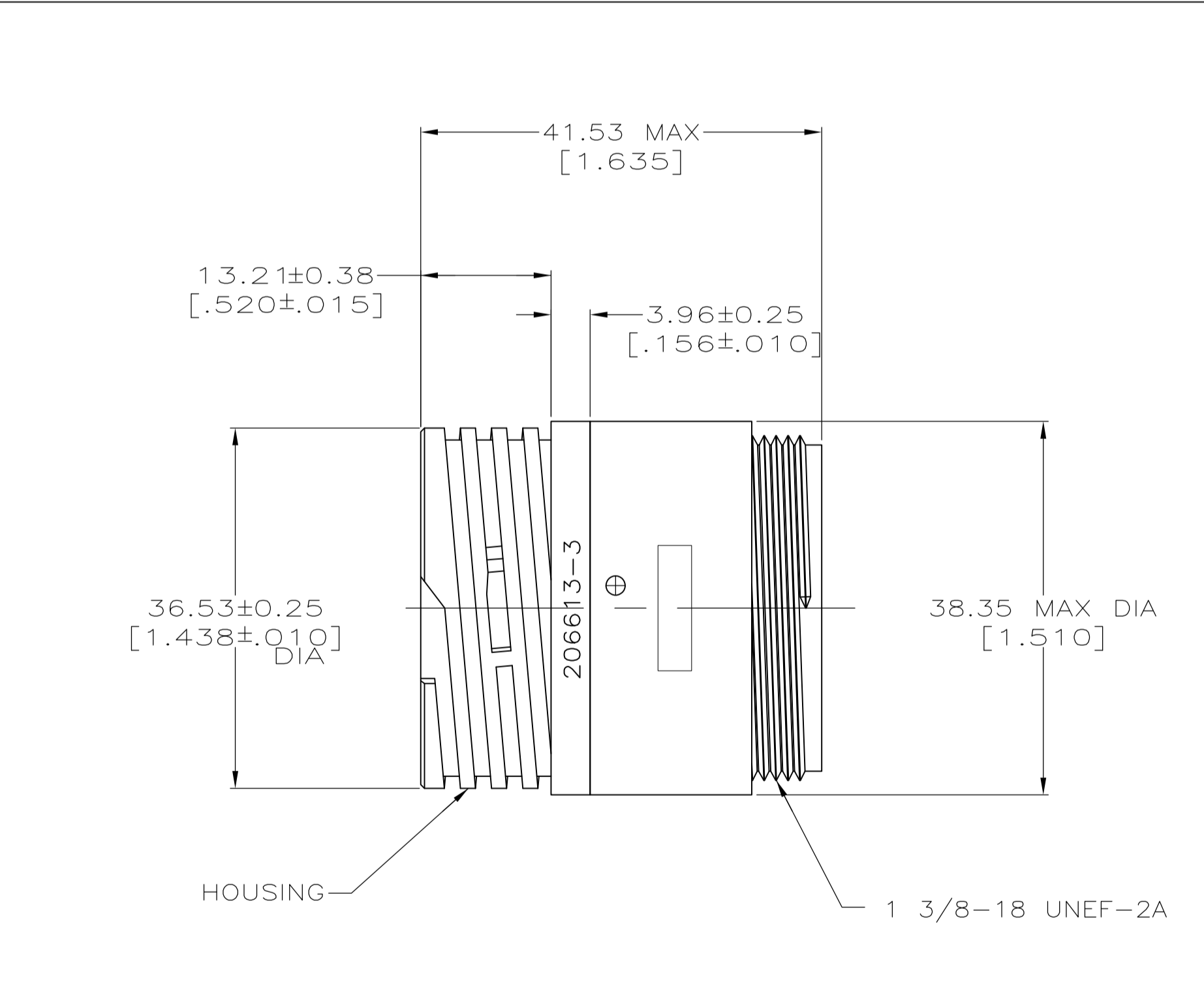
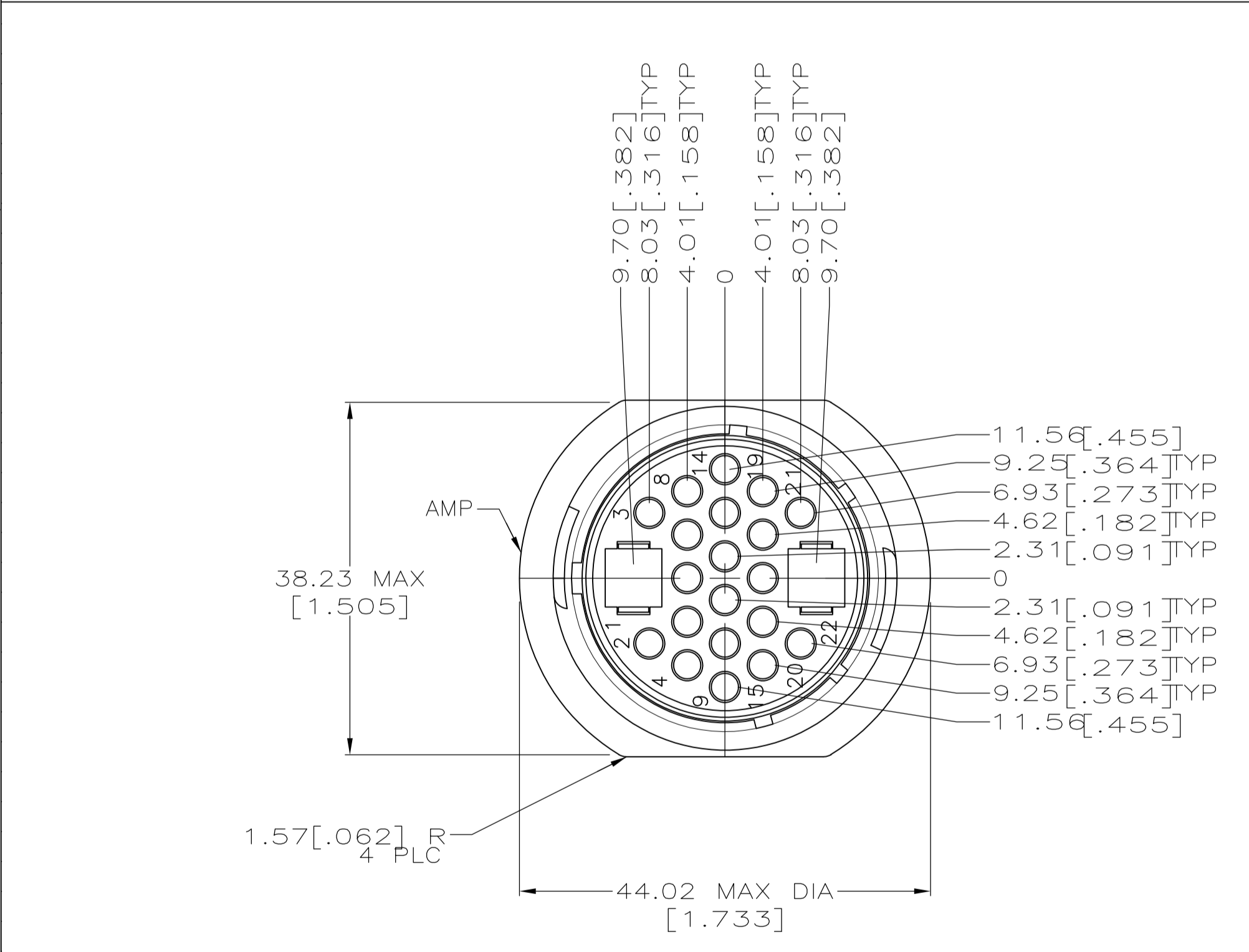


DETAIL A



DETAIL B

- WILL ACCEPT (20) MULTIMATE AND 2 TYPE XII PIN CONTACTS.
- CAVITY IDENTIFICATION ON FRONT AND REAR FACE.
- NUMBER 4 FASTENERS RECOMMENDED FOR MOUNTING.
- HOUSING: NYLON, BLACK. PERIPHERAL SEAL: ELASTOMER, GRAY.
- APPLIES TO 206613-6 ONLY.
- PERMANENT WHITE MARKED OR WHITE INK STAMPED CAVITY IDENTIFICATION.
- HOUSING: NYLON, RED. PERIPHERAL SEAL: ELASTOMER, GRAY.
- WHITE DOT NEAR POSITION 1 ON WIRE ENTRY FACE.

PRELIMINARY	8/4	-	YES	A	1-206613-2
PRELIMINARY	6/4	-	YES	A	206613-9
	6/4	-	YES	A	206613-7
	4	4	NO	A	206613-6
	4	-	YES	A	206613-5
	4	-	NO	B	206613-3
	4	-	NO	A	206613-1
NOTES	THREADED INSERTS	PERIPHERAL SEAL	SEE DETAIL	PART NUMBER	

THIS DRAWING IS A CONTROLLED DOCUMENT.

DIMENSIONS: INCHES	TOLERANCES UNLESS OTHERWISE SPECIFIED:	DIN M. BINNER 05/26/94	CHK R. STONE 6-23-94
0 PLC ± -	1 PLC ± -	PRODUCT SPEC 108-10024	NAME RECEPTACLE HOUSING, STANDARD SEX, SHELL SIZE 23, CPC
2 PLC ± ± 0.13 [.005]	3 PLC ± -	APPLICATION SPEC	SIZE CAGE CODE DRAWING NO
4 PLC ± -	ANGLES ± -	WEIGHT	A1 00779 C=206613
MATERIAL	FINISH	CUSTOMER DRAWING	SCALE 2:1 SHEET 1 OF 1 REV P2

STE TE Connectivity