

4

3

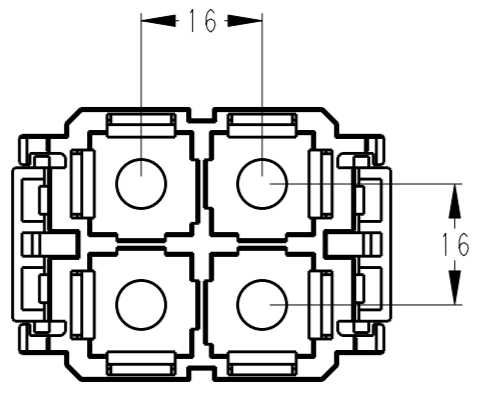
2

1

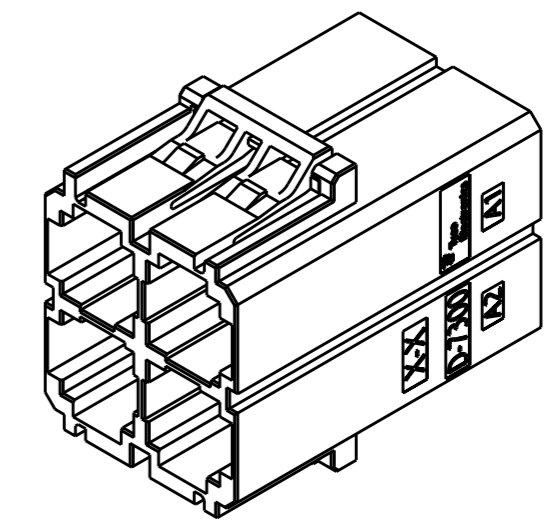
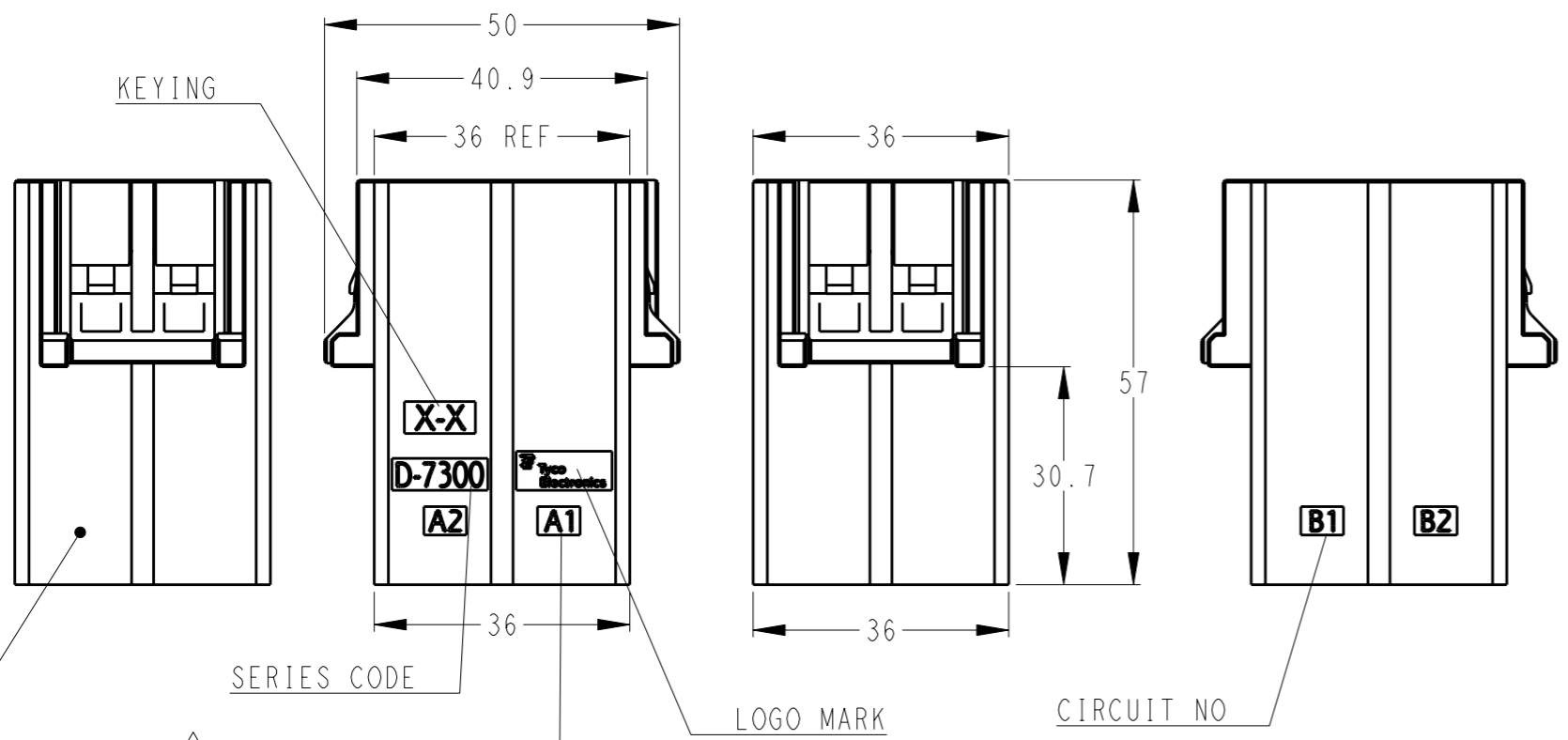
THIS DRAWING IS UNPUBLISHED. RELEASED FOR PUBLICATION 20  
 © COPYRIGHT 20 BY TYCO ELECTRONICS CORPORATION. ALL RIGHTS RESERVED.

LOC	DIST	REVISIONS					
		P	LTR	DESCRIPTION	DATE	DWN	APVD
J	-		B	REVISED PER ECR-10-025568	14DEC2010	M.M	N.Y

AS SHOWN : 2134061-1



1. THE SHAPE, SIZE AND POSITION OF THE CHARACTER SHOW THE OUTLINE. THEY DON'T SHOW DETAILS.
  2. CONTACT OUR SALES ABOUT ANOTHER KEYING PRODUCT.
- △ MATERIAL.



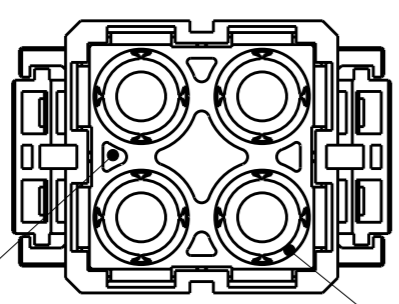
APPLICATED PIN CONTACTS  
 \*-1871131-\*

△ BODY HSG  
 GF THERMOPLASTIC 94V-0

CIRCUIT NO

LOGO MARK

CIRCUIT NO



△ RETENTION PLATE  
 STAINLESS STEEL

△ PLATE COVER HSG  
 GF THERMOPLASTIC 94V-0

<small>THIS DRAWING IS A CONTROLLED DOCUMENT FOR TYCO ELECTRONICS CORPORATION          IT IS SUBJECT TO CHANGE AND THE CONTROLLING ENGINEERING ORGANIZATION          SHOULD BE CONTACTED FOR THE LATEST REVISION.</small>		DWN M. MAEBASHI 31JUL2010 CHK N. YAMASAKI 31JUL2010 APVD N. YAMASAKI 31JUL2010		Tyco Electronics Corporation Kawasaki, Japan	
DIMENSIONS: mm		TOLERANCES UNLESS OTHERWISE SPECIFIED: $\pm 1.0, \pm 5^\circ$		NAME DYNAMIC D7300 16.0mm PITCH PIN HOUSING ASSEMBLY REVERSE 4 POS	
		0 PLC ± 1 PLC ± 2 PLC ± 3 PLC ± 4 PLC ± ANGLES ±		PRODUCT SPEC 108-78470	
MATERIAL △		FINISH NONE		APPLICATION SPEC 114-5452	
		WEIGHT -		SIZE A3 CAGE CODE 00779 DRAWING NO C-2134061 RESTRICTED TO -	
		CUSTOMER DRAWING		SCALE 1:1 SHEET 1 OF 1 REV B	