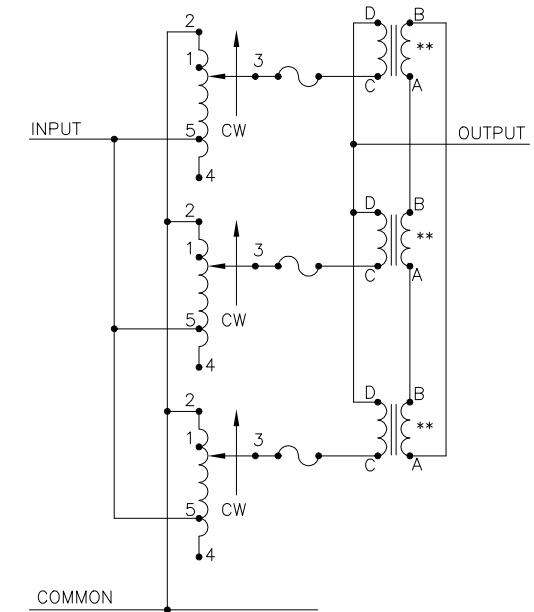
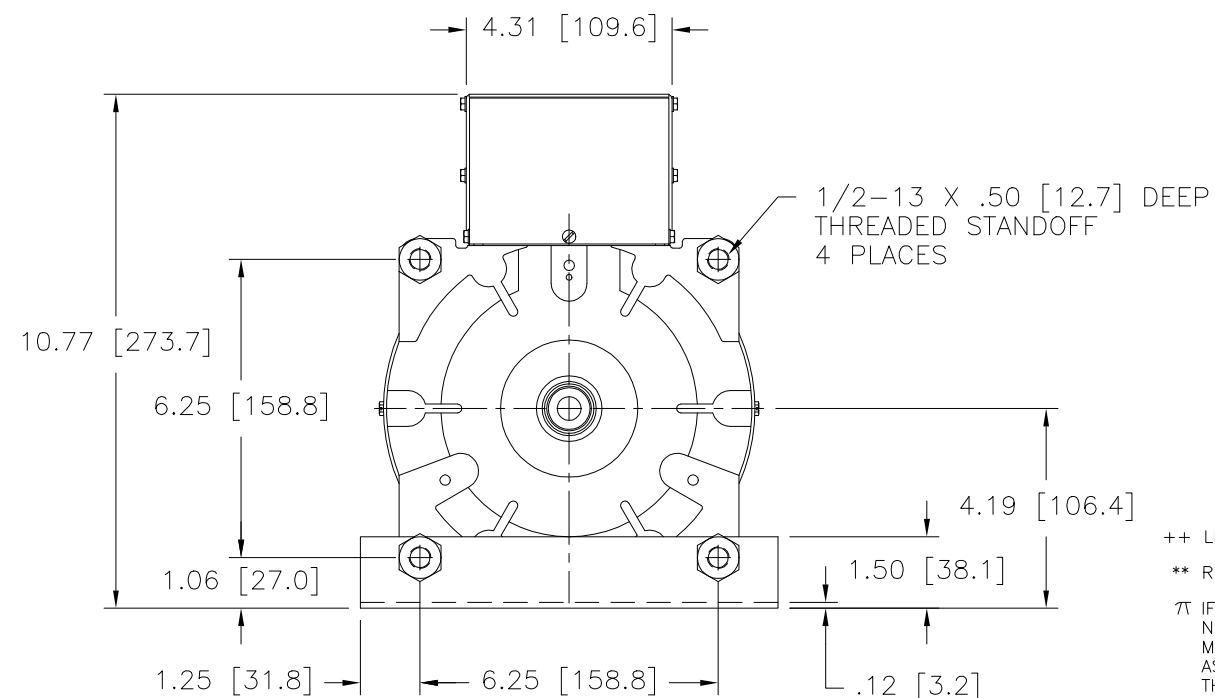


SCHMATIC
 THREE PHASE WYE
 FUSES RECOMMENDED BUT NOT SUPPLIED



SCHMATIC
 SINGLE PHASE PARALLEL
 FUSES RECOMMENDED BUT NOT SUPPLIED

NOTE:
 UNIT IS SUPPLIED WITH A 7.00 [177.8] DIA.
 0-100 GRADUATED DIAL PLATE FOR PANEL MOUNTING.



++ LINE TO LINE VOLTAGE.

** REQUIRES THREE 51LAC PARALLELING CHOKES (NOT SUPPLIED).

⌘ IF GANGED UNITS ARE USED IN A SYSTEM THAT ORDINARILY HAS A COMMON NEUTRAL OR GROUND BETWEEN SOURCE AND LOAD, THE NEUTRAL OR GROUND MUST BE CONNECTED TO THE COMMON TERMINALS OF THE VARIABLE TRANSFORMER ASSEMBLY. IF THE SYSTEM HAS NO NEUTRAL, THE LOAD MUST BE BALANCED OR THE TRANSFORMER WILL BE DAMAGED.

■ JUMPER PROVIDED IN STANDARD COMMON POSITION AND SHOULD BE MOVED OR REMOVED AS REQUIRED.

SPECIFICATIONS										
WIRING	INPUT		OUTPUT				SHAFT ROTATION TO INCREASE VOLTAGE	TERMINAL CONNECTIONS		
	VOLTS	HERTZ	VOLTS	CONSTANT CURRENT LOAD MAX. AMPS	CONSTANT IMPEDANCE LOAD MAX. KVA	MAX. AMPS		MAX. KVA	FOR INCREASING VOLTAGE AS VIEWED FROM BASE END ■	
SINGLE PHASE PARALLEL **	120	50/60	0-120	75	9.00	90	10.8	CW	2-2-2, 4-4-4	4-D
			0-140	75	10.50	—	—	CCW	2-2-2, 4-4-4	2-D
	240	50/60	0-240	25	10.40	30	12.5	CW	1-1-1, 4-4-4	4-D
			0-280	25	12.10	—	—	CCW	5-5-5, 2-2-2	2-D
THREE PHASE WYE ⌘	240	50/60	0-240	25	10.40	30	12.5	CW	2-2-2	4-4-4 3-3-3
			0-280	25	12.10	—	—	CCW	4-4-4	2-2-2 3-3-3
	60	50/60	0-240	25	10.40	30	12.5	CW	1-1-1	4-4-4 3-3-3
			0-280	25	12.10	—	—	CCW	5-5-5	2-2-2 3-3-3

UNLESS OTHERWISE SPECIFIED, TOLERANCE IS ±
 DECIMALS HOLES ANGLES DRAFT UNITS
 .XX .0000 .06 .0000 .01 1° 1/2" IN (mm)

MATERIAL: ALL DIMENSIONS APPLY AFTER PLATING

TITLE: SPEC. CONTROL DRAWING
 VARIABLE TRANSFORMER
 MODEL: 2510CT-3

STACO ENERGY PRODUCTS CO.
 A COMPONENTS CORPORATION OF AMERICA COMPANY
 DAYTON, OHIO U.S.A.

DRAWN BY S.A. SMITH DATE 1/3/2001 FIRST USED ON DO NOT SCALE DWG. CUSTOMER APPROVAL DATE

CHECKER DATE WEIGHT APPROX. 68 LBS CODE IDENT. NO. 83008 DWG. NO. 031-5025

ENGINEER DATE SCALE 1/2 SHEET 1 OF 1