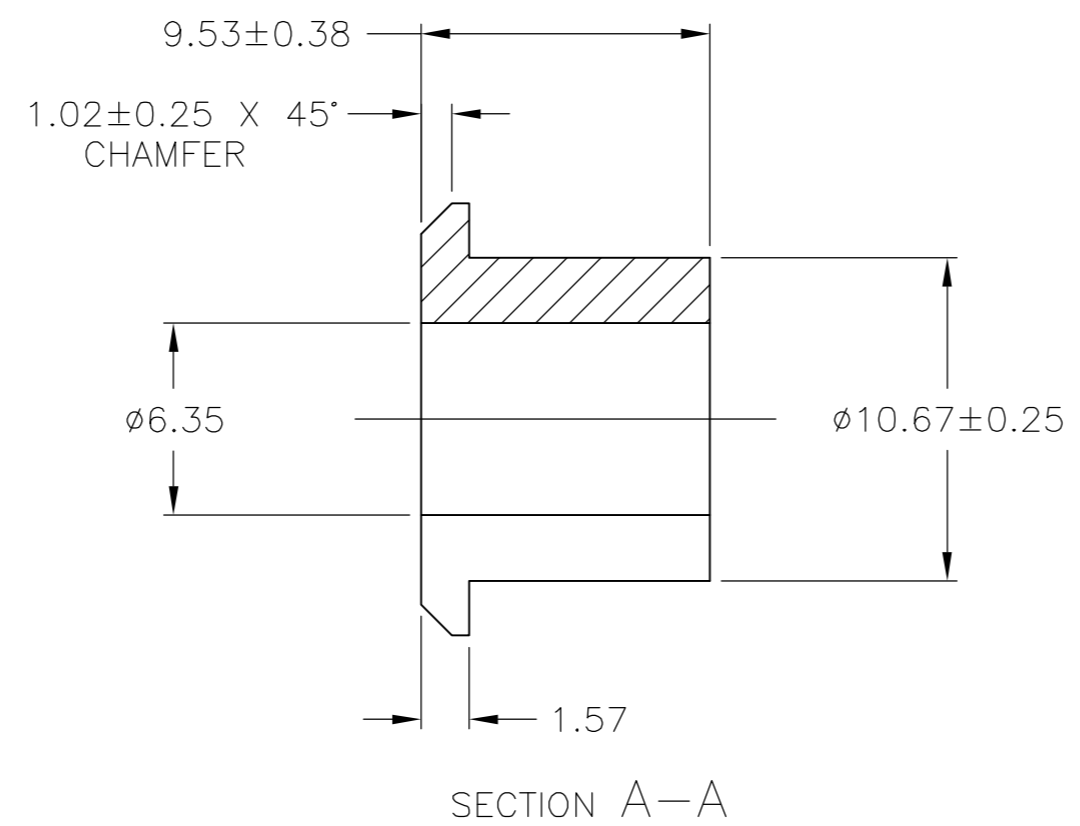
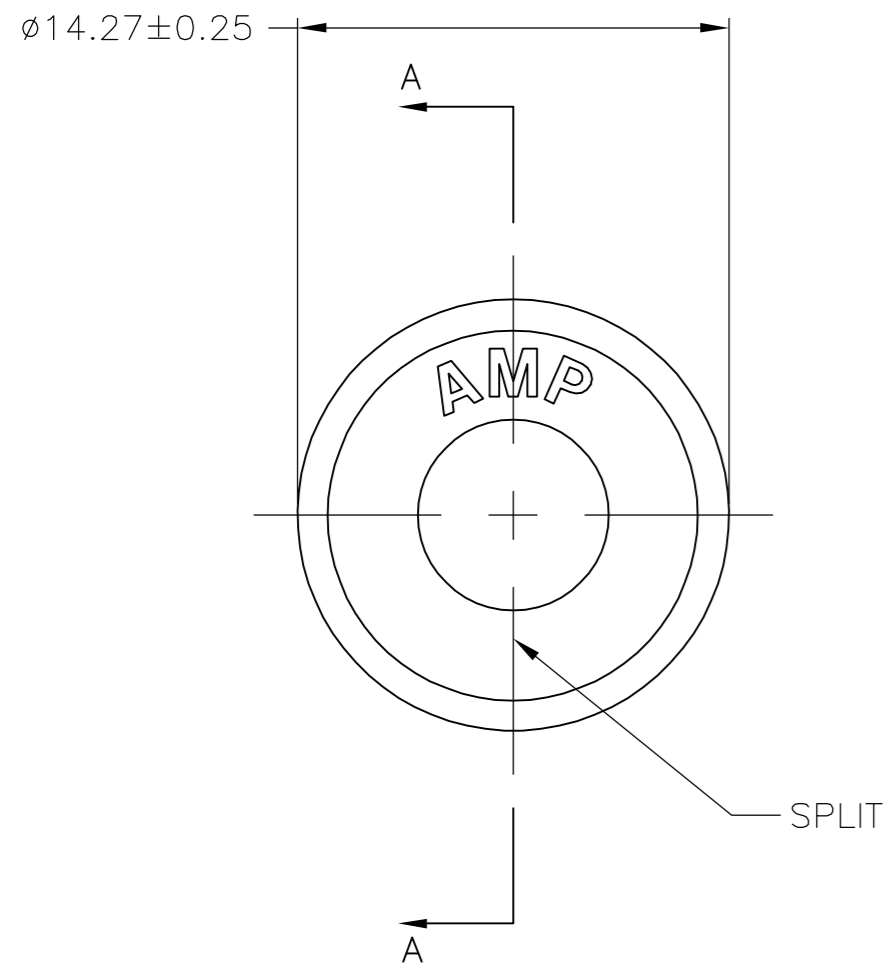
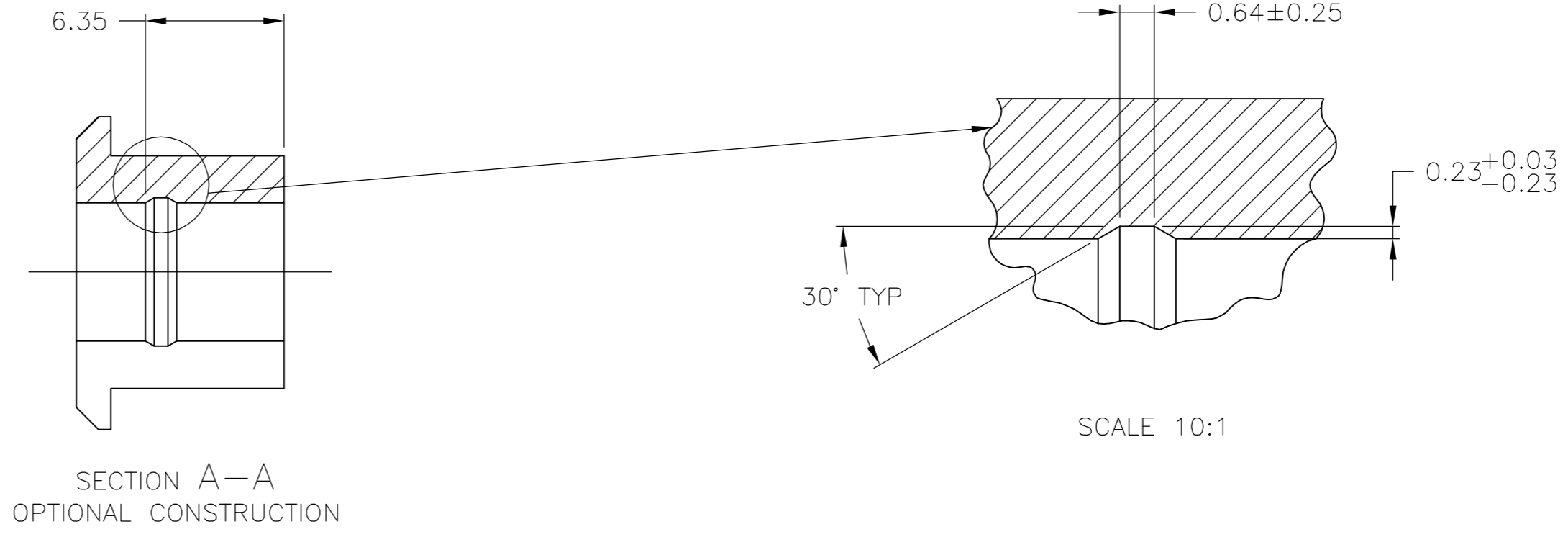
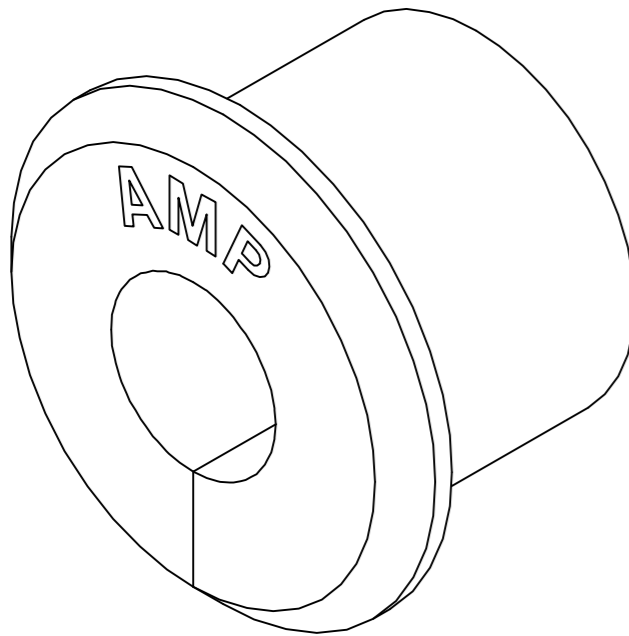


THIS DRAWING IS UNPUBLISHED. RELEASED FOR PUBLICATION  
 © COPYRIGHT BY TYCO ELECTRONICS CORPORATION. ALL RIGHTS RESERVED.

LOC	DIST	REVISIONS			
P	LTR	DESCRIPTION	DATE	DWN	APVD
CM	0	H	ECO-06-012706	09JUN06	BSV JR



- USE WITH STRAIN RELIEF 350374.
- MOLDING COMPOUND PVC,FLEXIBLE, 55/75 DUROMETER (B SCALE),BLACK.
- MOLDING COMPOUND PVC,FLEXIBLE,BLACK.



3-DIMENSIONAL MODEL NTS

SUPERCEDED BY 2-350379-1	$\triangle 3$	2-350379-1
	$\triangle 2$	1-350379-1
	MATERIAL	PART NUMBER

MM	IN	MM	IN	MM	IN
0.25	.010	1.57	.062	14.27	.562
0.23	.009	1.02	.040	10.67	.420
0.13	.005	0.64	.025	9.53	.375
0.03	.001	0.38	.015	6.35	.250

CONVERSION TABLE

METRIC

THIS DRAWING IS A CONTROLLED DOCUMENT.		DWN K. WHITAKER 24MAR06	Tyco Electronics Corporation Harrisburg, Pa 17105-3608	
DIMENSIONS: mm		CHK C. JONES 24MAR06	NAME GROMMET,SPLIT,M.R.	
TOLERANCES UNLESS OTHERWISE SPECIFIED: 0 PLC ± - 1 PLC ± - 2 PLC ± - 3 PLC ± 0.13 4 PLC ± - ± 1'0"		APVD C. JONES 24MAR06	DRAWING NO A2 00779 C=350379	
MATERIAL SEE TABLE		FINISH -	WEIGHT -	RESTRICTED TO -
CUSTOMER DRAWING		SCALE 4:1	SHEET 1 OF 1	REV H

350379