

ATLANTIC VERSION TERMINATOR INTERFACE ADAPTER	PART NUMBER	REVISION	DESCRIPTION	FEED TYPE	APPLICATOR STYLE CONVERSION CHART						
					CONVERT TO	PART NUMBERS REQUIRED					
						PNEUMATIC FEED	2119950-1	1338685-1	5-18022-5	2119641-1	2119799-1
	2266289-1	B	FINE CRIMP HEIGHT ADJUST	MECHANICAL	SERVO LATCH PLATE	2119951-1	-	8-2266289-5	1901094-3	-	2168400-6 (QUANTITY 2)
	2266289-2	B	FINE CRIMP HEIGHT ADJUST	PNEUMATIC	SMART APPLICATOR	2161326-1	-	8-2266289-4	-	-	-
					MECHANICAL FEED	2119949-1	1338685-1	5-18022-5	2119653-1	-	-
					SERVO LATCH PLATE	2119951-1	-	8-2266289-5	1901094-3	-	2168400-6 (QUANTITY 2)
	2266289-5	B	FINE CRIMP HEIGHT ADJUST	SERVO LATCH PLATE	MECHANICAL FEED	2119949-1	1338685-1	5-18022-5	2119653-1	-	-
					PNEUMATIC FEED	2119950-1	1338685-1	5-18022-5	2119641-1	2119799-1	2063440-1
	2266289-6	B	NON-CRIMP HEIGHT ADJUST	SERVO LATCH PLATE	-	-	-	-	-	-	-
2266289-7	B	FINE CRIMP HEIGHT ADJUST	NONE	-	-	-	-	-	-	-	
7-2266289-7	A	CRIMP TOOLING KIT	-	-	-	-	-	-	-	-	

APPLICATOR DATA		
CRIMP SIZE	TYPE	
WIRE 2.79 mm [.110]	F	
INSUL 3.56 mm [.140]	F	

APPLICATOR INSTRUCTIONS 408-10389

TERMINAL DATA: TE TERMINAL		TE CRIMP SPECIFICATION	
TERMINAL NAME: DYNAMIC D4200 REC CONTACT S SIZE			
WIRE STRIP LENGTH	INSULATION DIAMETER RANGE		
4.40-5.40 mm [.173-.213 IN]	Ø1.80-3.23 mm [.071-.127 IN]		
TERMINAL APPLICATION SPECIFICATION	114-5369		
TERMINALS APPLIED			
TE TERMINAL	TE TERMINAL	TE TERMINAL	TE TERMINAL
2040015-2			

TERMINAL DATA: TE TERMINAL		TE CRIMP SPECIFICATION	
TERMINAL NAME: DYNAMIC D4200 W-W TAB CONTACT S SIZE			
WIRE STRIP LENGTH	INSULATION DIAMETER RANGE		
4.40-5.40 mm [.173-.213 IN]	Ø1.80-3.23 mm [.071-.127 IN]		
TERMINAL APPLICATION SPECIFICATION	114-5369		
TERMINALS APPLIED			
TE TERMINAL	TE TERMINAL	TE TERMINAL	TE TERMINAL
2040016-2	1-2040016-2		

WIRE SIZE	CRIMP HEIGHT mm [INCH]	CRIMP HEIGHT REFERENCE SETTING
1.23-1.42mm ² or 16 AWG	1.41+/-0.05 [.056+/- .002]	7.4
0.81-0.96mm ² or 18 AWG	1.28+/-0.05 [.050+/- .002]	8.9
0.50-0.60mm ² or 20 AWG	1.18+/-0.05 [.046+/- .002]	10.0

- 1. RECOMMENDED SPARE PARTS
- 2. GREASE BEARING SURFACES LIGHTLY
- 3. LUBRICATE DAILY PER THE APPLICATOR INSTRUCTION SHEET SUPPLIED WITH THE APPLICATOR.
- 4. APPLICATOR SPECIFIC DATA TO BE ENTERED INTO BLANK MEMORY CHIP AT ASSEMBLY. SEE BELOW FOR PART NUMBER:
 MECHANICAL FEED WITH "SMART APPLICATOR" CONVERSION: 8-2266289-4
 PNEUMATIC FEED WITH "SMART APPLICATOR" CONVERSION: 8-2266289-4
 SERVO FEED WITH "FINE CRIMP HEIGHT ADJUST": 8-2266289-5
 SERVO FEED WITH "NON-CRIMP HEIGHT ADJUST": 8-2266289-6
- 5. ADJUSTMENT OF THE STRIPPER MAY BE REQUIRED WHEN MOVING THE APPLICATOR BETWEEN BENCH AND LEADMAKER APPLICATIONS.
- 6. APPLY PART NUMBER 1-23419-5 LOCTITE TO THREADS OF ITEM 62. APPLY PART NUMBER 2-23419-6 LOCTITE TO THREADS OF ITEM 242. FOR -6 ONLY APPLY PART NUMBER 1-23419-5 LOCTITE TO THREADS OF ITEM 37.
- 7. GREASE THREADS, GROOVE AND O-RING ON ITEMS 35 & 252.
- 8. MAGNET, ITEM 166 MUST BE ORIENTED CORRECTLY IN ORDER TO PROPERLY ACTUATE THE COUNTER.
- 9. CRIMP HEIGHT REFERENCE SETTING WAS THE SETTING USED WHEN THE APPLICATOR WAS QUALIFIED AT THE FACTORY. ADJUSTMENT MAY BE NECESSARY WHEN RUNNING APPLICATOR IN THE FIELD.
- 10. SPARE FEED CAM STORAGE LOCATION REFER TO INSTRUCTION SHEET FOR ADDITIONAL INFORMATION.
- 11. TO CONVERT THE APPLICATOR TO A NON-CARRIER CUTTING STYLE, REMOVE ITEM 13 AND ATTACH TO THE LOCATION ON THE BACK SIDE OF THE HOUSING. REFER TO INSTRUCTION SHEET FOR ADDITIONAL INFORMATION.
- 12. WHEN ASSEMBLING A NON CRIMP HEIGHT ADJUST APPLICATOR (-6) USE SHIMS FROM ITEM 260 TO ACHIEVE A NOMINAL SHIM HEIGHT OF 4.39.
- 13. CUT TO LENGTH AT ASSEMBLY.

***WARNING**
 ON INSTALLATION, SET WIRE DISC, ITEM 40 TO LARGEST WIRE SIZE SETTING. USE OF SETTINGS BELOW MINIMUM REQUIRED CRIMP HEIGHT SETTING WILL CAUSE DAMAGE TO CRIMP TOOLING.

ITEM NO	DESCRIPTION	ITEM NO						
- 2	2168083-1 SCR, SKT HD CAP, RoHS, M3 X 8.0	269						
- 1	1633782-4 FENCE	267						
- 1	2119957-2 APPLICATOR SHIM PACK	260						
- 1	8-21084-0 O-RING, .676 ID, .070 DIA. MAT.	252						
- -	2119640-1 PUSH ROD, AIR FEED	250						
- -	2079988-1 BUSHING, LCH5-12, MISUMI	249						
- -	2119641-1 FEED CAM, AIR FEED	248						
- 1	2119798-1 DETENT PIN	247						
- 1	1-22279-3 SPRING, COMPRESSION	246						
- -	2119758-1 RAM, AMP STYLE, SIDE FEED, NON-ADJ.	245						
- 1	2119082-3 CAM, SNAIL, INSULATION ADJUSTMENT	244						
-77	-7	-6	-5	-2	-1	PART NO	DESCRIPTION	ITEM NO

ATLANTIC VERSION
 Shown on sheets 1 of 4 & 2 of 4
 (Pacific version shown on sheets 3 of 4 & 4 of 4)

SET UP GAUGE	LOC	DIST	REVISIONS			
2119599-1	A	66	REV	DATE	BY	APPV
			B	ECR-15-003563	04MAR2015	MR JT

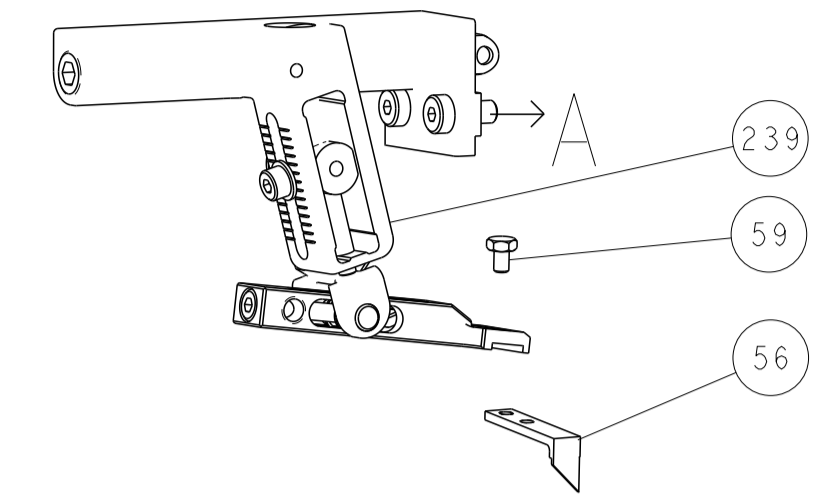
- 1	1	1	1	1	1	2079764-1	WASHER, WAVE SPRING, CREST-TO-CREST	243
- 1	1	1	1	1	1	2119083-1	RETAINER, INSULATION DIAL	242
- 1	1	1	1	1	1	7-18023-7	SCR, SKT HD CAP M3 X 4.0	241
- -	2	2	-	-	-	2168400-6	SHCS, LOW HEAD, RoHS, M5 X 16	240
- -	-	-	-	-	1	2119580-1	MECHANICAL FEED ASSEMBLY	239
- -	-	-	-	1	-	2063440-1	AIR FEED MODULE	238
- -	1	1	-	-	-	2119740-2	TAG, IDENTIFICATION	213
- -	1	1	-	-	-	1901094-3	SPACER, FEEDER	198
- -	-	-	2	-	-	21045-3	RING, RETAIN, EXTERN, 3/16 CRESCENT	172
- 1	1	1	1	1	1	994969-1	MAGNET, RARE EARTH HIGH ENERGY	166
- REF	REF	REF	REF	REF	REF	994970-2	COUNTER, MAGNETIC	164
- -	-	-	1	-	-	240638-1	SPRING, FEED FINGER	163
- -	-	-	1	-	-	3-23627-7	PIN, RETAIN, GRVD, 3/16 X .854	137
- -	-	-	1	-	-	2119799-1	HOLDER, FEED FINGER, AF	136
- -	REF	REF	-	-	-	SEE NOTE 4	MEMORY CHIP, PROGRAMMED	135
- -	1	1	-	-	-	1633743-1	SERVO FEED LATCH ASM	133
- -	REF	REF	-	-	-	2119944-1	FEED FINGER ASSEMBLY, SF	117
- 1	1	1	1	1	1	2119955-1	ASSY, LUBRICATOR, SIDE FEED	113
- 1	1	1	1	1	1	1-690438-0	FRONT STRIP GUIDE	96
- 2	2	2	2	2	2	2168083-1	SCR, SKT HD CAP, RoHS, M3 X 8.0	95
- 1	1	1	1	1	1	455888-5	SPACER, CRIMPER	82
- 1	1	1	1	1	1	2119956-1	DOCUMENTATION PACKAGE	71
- 1	1	1	1	1	1	2119791-5	DEPRESSOR, WIRE	70
- 1	-	-	1	1	1	2119740-1	TAG, IDENTIFICATION	67
- 2	2	2	2	2	2	2168078-1	SCREW, DRIVE, RH, RoHS, 2 x .188	66
- 1	-	1	1	1	1	2119793-1	LIMITER, ADJUSTMENT BOLT	63
- 3	-	3	3	3	3	992763-5	SCR, SET, SOC, CONE POINT, M3 x 4.0	62
- 2	2	2	2	2	2	2-18032-5	SCR, SET, FLT POINT M5 X 20.0	61
- 1	1	1	1	1	1	2079383-4	SCR, BHSC, RoHS (M4 X 8)	60
- -	-	-	1	1	1	5-18022-5	SCR, HEX HD CAP, M4 X 6.0	59
- -	-	-	1	1	1	1338685-1	PAWL, FEED	56
- 4	4	4	4	4	4	2168400-1	SHCS, LOW HEAD, RoHS, M4 X 12	54
- 2	2	2	2	2	2	2168083-8	SCR, SKT HD CAP, RoHS, M4 X 16	53
- 1	1	1	1	1	1	5018030-1	NUT, HEX, REG, RoHS, M3	52
- 1	1	1	1	1	1	811242-5	BUMPER, HOLD DOWN	51
- 1	1	1	1	1	1	690753-2	SPACER, TONKER	50
- -	-	-	1	2	-	18023-9	SCR, SKT HD CAP M4 X 6.0	49
- -	-	-	-	1	-	2119652-1	FEED CAM, PRE FEED	48
- -	-	-	-	1	-	2119653-1	FEED CAM, POST FEED	47
- 1	1	1	1	1	1	2119656-9	APPLICATOR BASIC ASSEMBLY, SF	46
- 1	-	1	1	1	1	2119370-1	RAM, AMP STYLE, SIDE FEED	44
- 1	1	1	1	1	1	2079383-7	SCR, BHSC, RoHS (M8 X 25)	41
- 1	-	1	1	1	1	2119645-1	DISC, NUMBERED FA WIRE ADJUSTMENT	40
- 1	-	1	1	1	1	2119957-1	APPLICATOR SHIM PACK	39
- 1	1	1	1	1	1	1-2119644-2	RAM WASHER, PRECISION	38
- 1	1	1	1	1	1	2119085-1	FA HEAD, ATLANTIC STYLE	37
- 1	-	1	1	1	1	2119092-1	BOLT, ADJUSTMENT	35
- 1	1	1	1	1	1	4-1752356-9	SUPPORT, TERMINAL	34
- 2	2	2	2	2	2	2079383-5	SCR, BHSC, RoHS (M4 X 20)	33
- 1	1	1	1	1	1	2161328-1	HEX HEAD, FLANGED, M5 x 8mm LONG	32
- 1	1	1	1	1	1	1-1320908-0	SPACER, STRIP GUIDE	30
- 1	1	1	1	1	1	2119959-3	ASSEMBLY, STRIP GUIDE	29
- 2	2	2	2	2	2	22283-1	SPRING, COMPRESSION	27
- 1	1	1	1	1	1	356835-1	LEVER, DRAG RELEASE	26
- 1	1	1	1	1	1	240792-1	DRAG, TERMINAL	25
- 1	1	1	1	1	1	1320928-6	STRIP GUIDE	24
- 1	1	1	1	1	1	980371-4	SCR, SKT HD SHLDR 5.0 DIA X 6.0	23
- 1	1	1	1	1	1	2168083-2	SCR, SKT HD CAP, RoHS, M4 X 8.0	21
- 2	2	2	2	2	2	1-18028-2	WASHER, FLAT, REG M4	20
- 1	1	1	1	1	1	2119533-1	STRIPPER, SIDE FEED	19
- 1	1	1	1	1	1	2119806-1	INSERT, SHEAR	13
- 1	1	1	1	1	1	3-22280-3	SPRING, COMPRESSION	12
- 1	1	1	1	1	1	1-356885-4	STOP, SHEAR	11
- 1	1	1	1	1	1	2119805-1	SHEAR HOLDER, FRONT	10
- 1	1	1	1	1	1	318707-1	FLOATING SHEAR, FRONT	9
1	1	1	1	1	1	1-1803055-0	ANVIL, COMBINATION	8
- 1	1	1	1	1	1	240641-5	SPACER	7
- -	-	-	-	-	-	-	-	6
- 1	1	1	1	1	1	2119757-8	DEPRESSOR, SHEAR	5
- 1	1	1	1	1	1	238011-8	BLOCK, CRIMPER SPACER	4
1	1	1	1	1	1	3-1633961-0	CRIMPER, INSULATION F PREMIUM	3
- 1	1	1	1	1	1	455888-6	SPACER, CRIMPER	2
1	1	1	1	1	1	2-456408-9	CRIMPER, WIRE PREMIUM	1
-77	-7	-6	-5	-2	-1	PART NO	DESCRIPTION	ITEM NO

DIMENSIONS:		TOLERANCES UNLESS OTHERWISE SPECIFIED:		DATE	
mm	0 PLC ±.5	1 PLC ±.5	2 PLC ±.5	3 PLC ±.5	4 PLC ±.5
	ANGLES ±.0001	FINISH			
MATERIAL		WEIGHT			

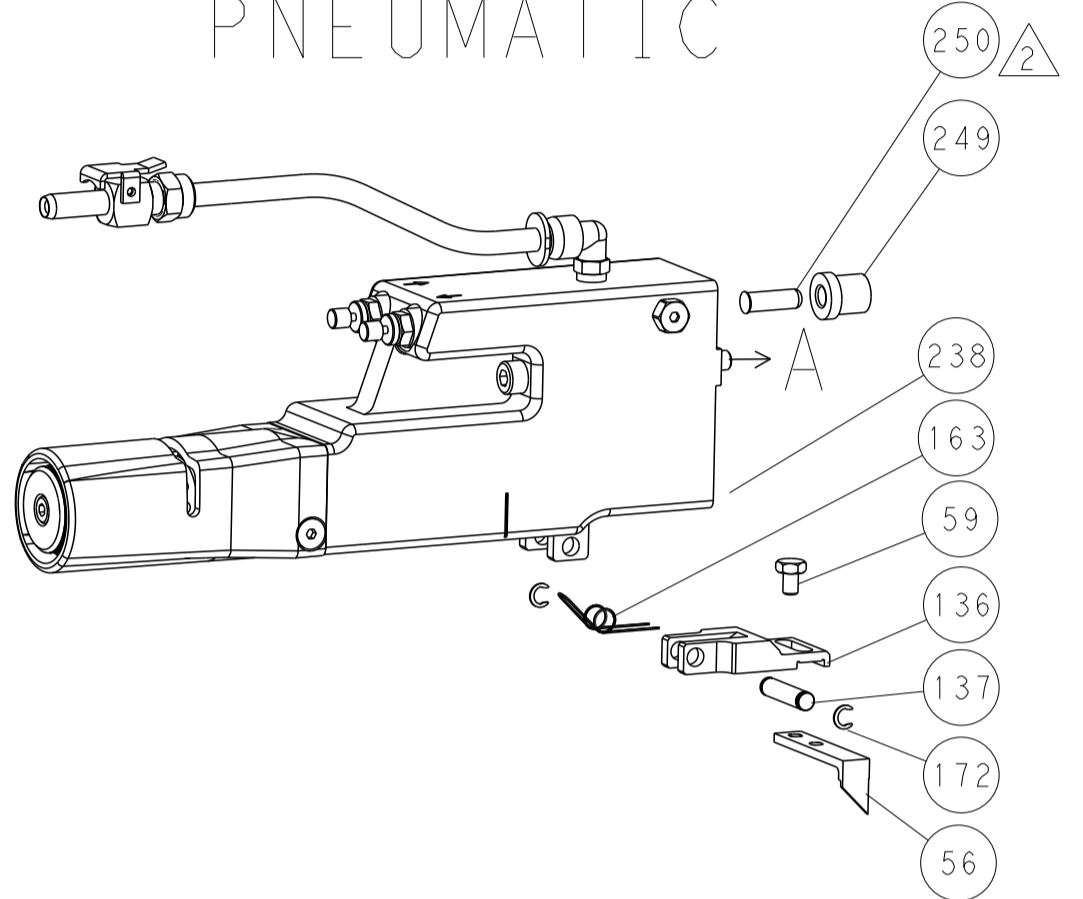
OWN	10JUN2014	TE Connectivity Harrisburg, PA 17105-3608
CHK	10JUN2014	
APV	10JUN2014	NAME
D. STOUGH		Ocean Side Feed Applicator
PRODUCT SPEC		SIZE
APPLICATION SPEC		CAGE CODE
		DRAWING NO
		RESTRICTED TO
		SCALE
		SHEET
		REV

LOC	DIST	REVISIONS					
A	66	P	LTN	DESCRIPTION	DATE	OWN	APVD
-	-	-	-	SEE SHEET 1	-	-	-

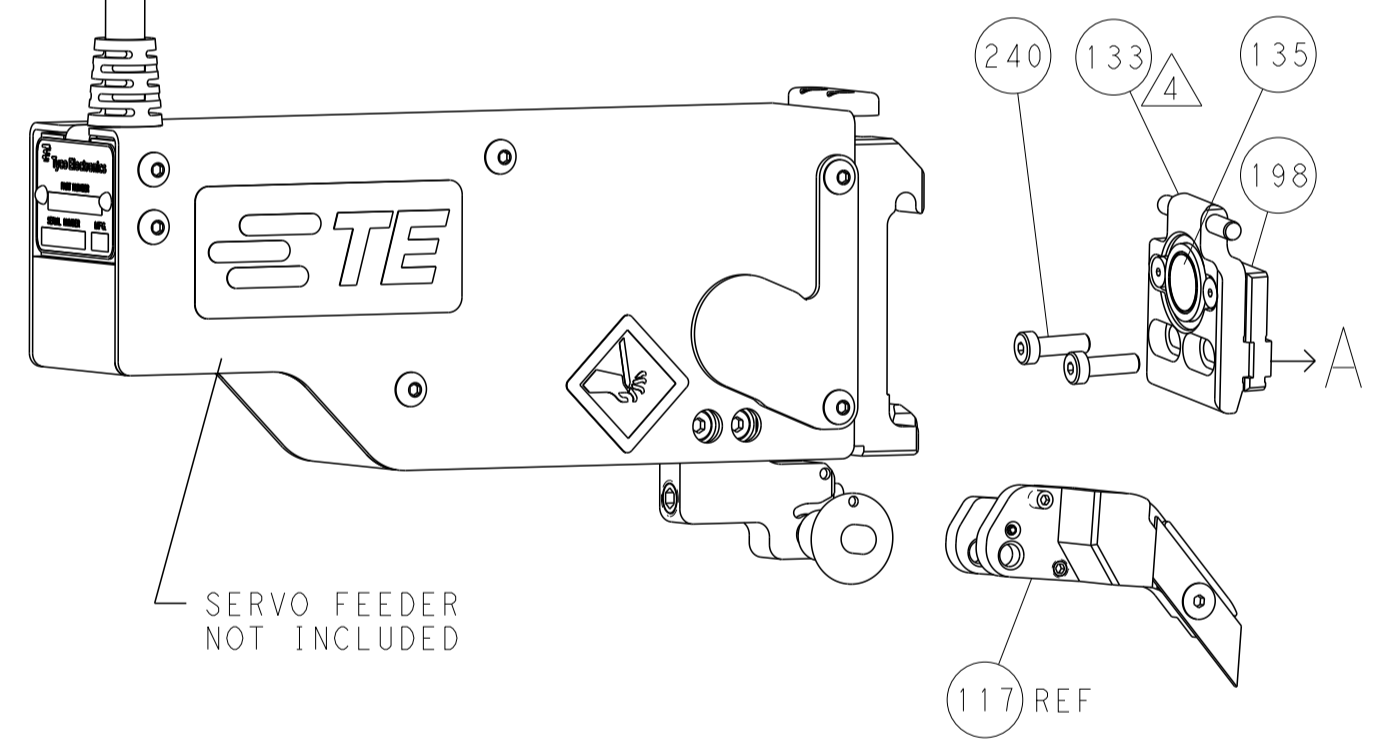
FEED TYPE MECHANICAL



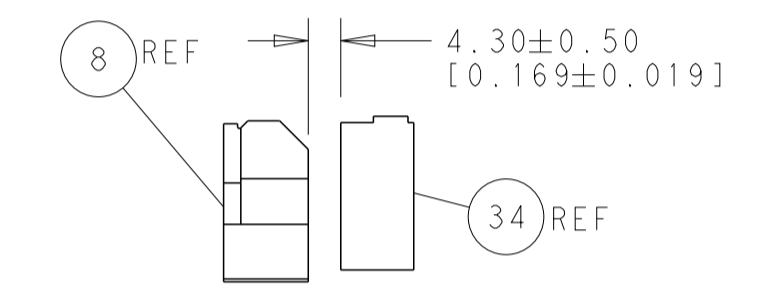
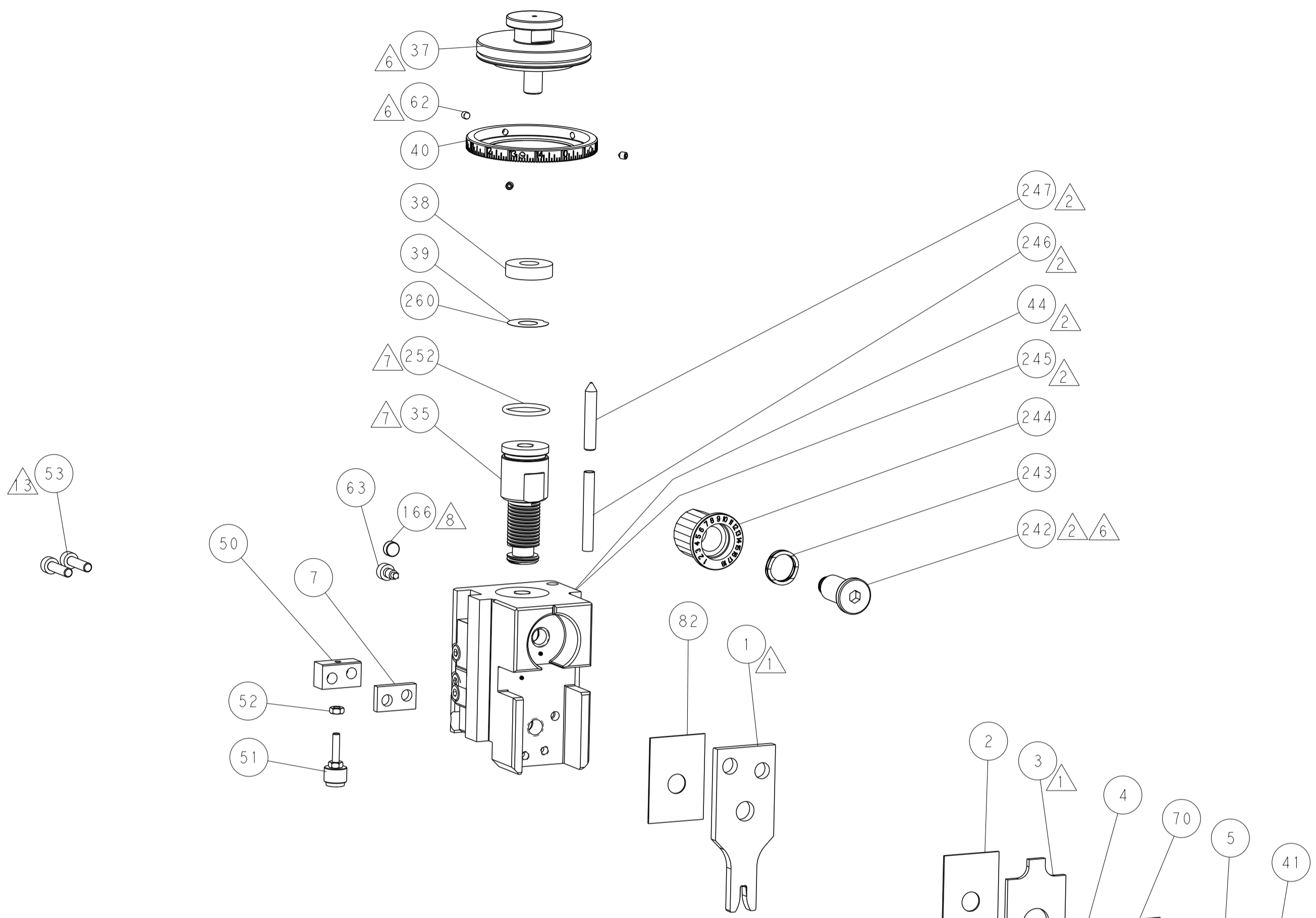
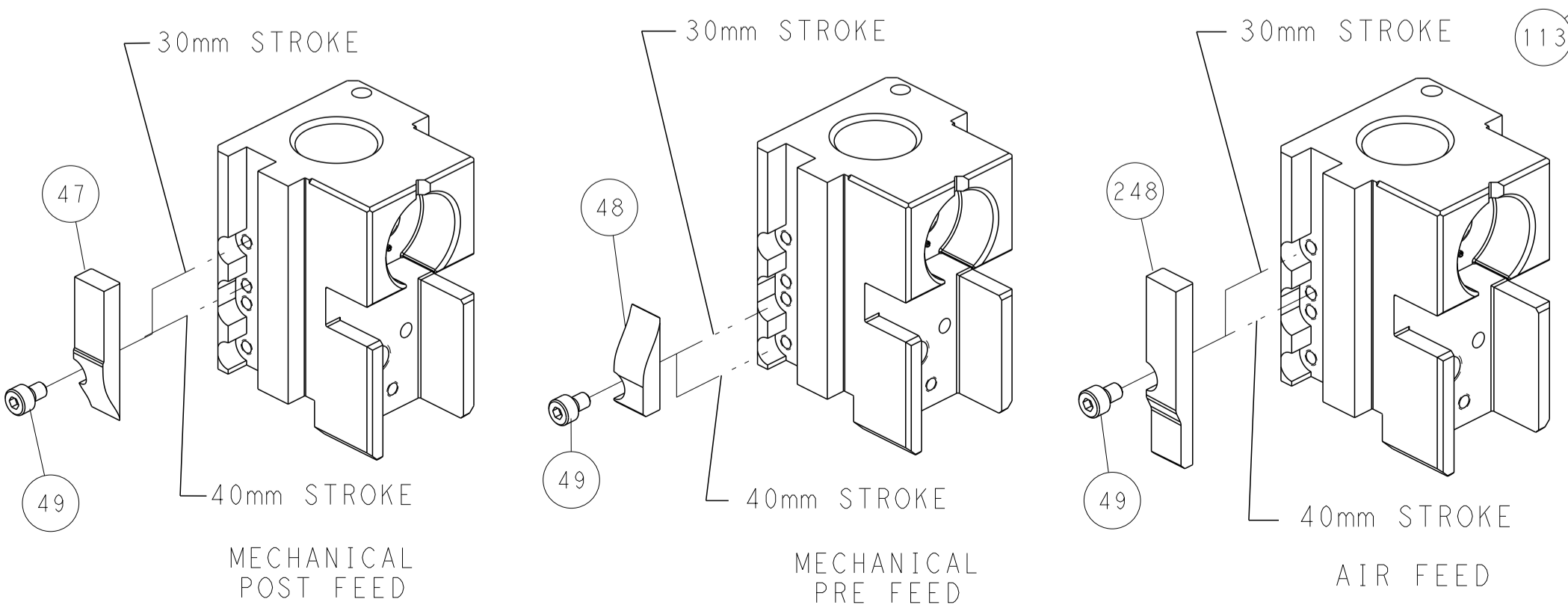
PNEUMATIC



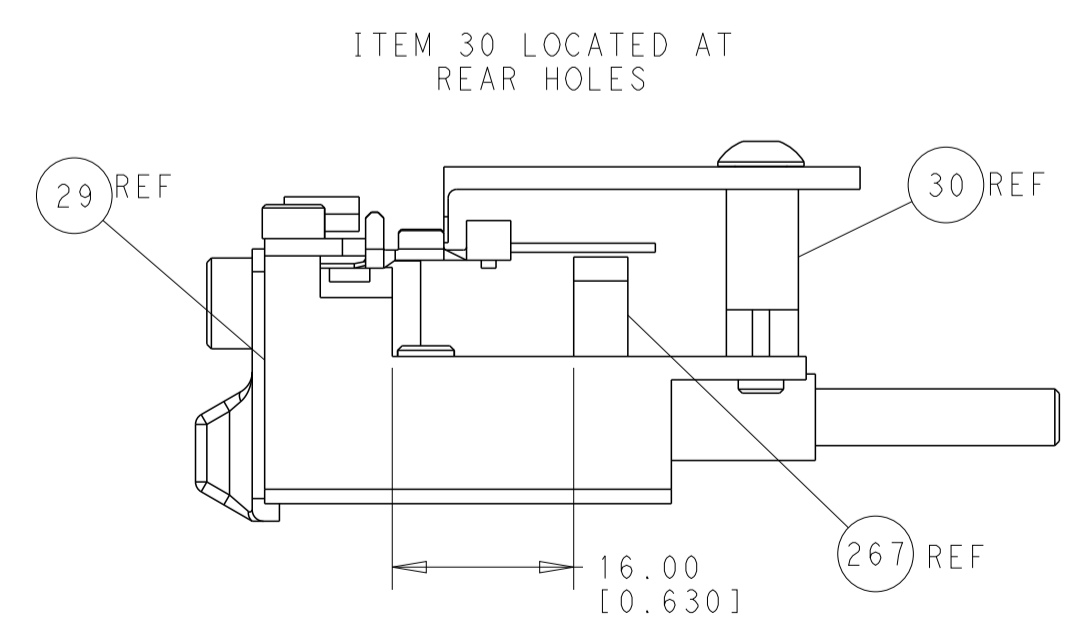
SERVO LATCH PLATE



CAM POSITIONS



TERMINAL SUPPORT LOCATION



FEED TRACK POSITION GUIDE BY WIRE BARREL

ATLANTIC VERSION
 Shown on sheets 1 of 4 & 2 of 4
 (Pacific version shown on sheets 3 of 4 & 4 of 4)

DIMENSIONS: mm 		TOLERANCES UNLESS OTHERWISE SPECIFIED: 0 PLC ±.5 1 PLC ±0.5 2 PLC ±0.13 3 PLC ±0.013 4 PLC ±0.001 ANGLES ±.0001 FINISH		DWN L. GROSS 10JUN2014 CHK T. ELBIN 10JUN2014 APVD D. STOUGH 10JUN2014 PRODUCT SPEC APPLICATION SPEC WEIGHT Customer Accessible Production Drawing		NAME Ocean Side Feed Applicator SIZE CAGE CODE DRAWING NO. RESTRICTED TO A1 00779 C=2266289 SCALE 1:2 SHEET 2 OF 4 REV B	
-----------------------	--	---	--	--	--	---	--

PACIFIC VERSION TERMINATOR INTERFACE ADAPTER	PART NUMBER	REVISION	DESCRIPTION	FEED TYPE	APPLICATOR STYLE CONVERSION CHART						
					CONVERT TO	PART NUMBERS REQUIRED					
	2-2266289-1	B	FINE CRIMP HEIGHT ADJUST	MECHANICAL	PNEUMATIC FEED	2119950-1	1338685-1	5-18022-5	2119641-2	2119799-1	2063440-1
					SERVO LATCH PLATE	2119951-1	-	8-2266289-5	1901094-3	-	2168400-6 (QUANTITY 2)
					SMART APPLICATOR	2161326-1	-	8-2266289-4	-	-	-
	2-2266289-2	B	FINE CRIMP HEIGHT ADJUST	PNEUMATIC	MECHANICAL FEED	2119949-1	1338685-1	5-18022-5	2119653-2	-	-
					SERVO LATCH PLATE	2119951-1	-	8-2266289-5	1901094-3	-	2168400-6 (QUANTITY 2)
					SMART APPLICATOR	2161326-1	-	8-2266289-4	-	-	-
	2-2266289-5	B	FINE CRIMP HEIGHT ADJUST	SERVO LATCH PLATE	MECHANICAL FEED	2119949-1	1338685-1	5-18022-5	2119653-2	-	-
					PNEUMATIC FEED	2119950-1	1338685-1	5-18022-5	2119641-2	2119799-1	2063440-1
	2-2266289-7	B	FINE CRIMP HEIGHT ADJUST	NONE	-	-	-	-	-	-	-
	7-2266289-7	A	CRIMP TOOLING KIT	-	-	-	-	-	-	-	-

APPLICATOR DATA		
CRIMP SIZE	TYPE	
WIRE 2.79 mm [.110]	F	
INSUL 3.56 mm [.140]	F	
APPLICATOR INSTRUCTIONS 408-10389		

TERMINAL DATA: TE TERMINAL		TE CRIMP SPECIFICATION	
TERMINAL NAME: DYNAMIC D4200 REC CONTACT S SIZE			
WIRE STRIP LENGTH		INSULATION DIAMETER RANGE	
4.40-5.40 mm [.173-.213 IN]		Ø1.80-3.23 mm [.071-.127 IN]	
TERMINAL APPLICATION SPECIFICATION	114-5369	-	-
TERMINALS APPLIED			
TE TERMINAL	TE TERMINAL	TE TERMINAL	TE TERMINAL
2040015-2			

TERMINAL DATA: TE TERMINAL		TE CRIMP SPECIFICATION	
TERMINAL NAME: DYNAMIC D4200 W-W TAB CONTACT S SIZE			
WIRE STRIP LENGTH		INSULATION DIAMETER RANGE	
4.40-5.40 mm [.173-.213 IN]		Ø1.80-3.23 mm [.071-.127 IN]	
TERMINAL APPLICATION SPECIFICATION	114-5369	-	-
TERMINALS APPLIED			
TE TERMINAL	TE TERMINAL	TE TERMINAL	TE TERMINAL
2040016-2	1-2040016-2		

WIRE SIZE	CRIMP HEIGHT mm [INCH]	CRIMP HEIGHT REFERENCE SETTING
1.23-1.42mm ² or 16 AWG	1.41+/-0.05 [.056+/- .002]	7.4
0.81-0.96mm ² or 18 AWG	1.28+/-0.05 [.050+/- .002]	8.9
0.50-0.60mm ² or 20 AWG	1.18+/-0.05 [.046+/- .002]	10.0

- RECOMMENDED SPARE PARTS
- GREASE BEARING SURFACES LIGHTLY
- 3. LUBRICATE DAILY PER THE APPLICATOR INSTRUCTION SHEET SUPPLIED WITH THE APPLICATOR.
- APPLICATOR SPECIFIC DATA TO BE ENTERED INTO BLANK MEMORY CHIP AT ASSEMBLY. SEE BELOW FOR PART NUMBER:
 MECHANICAL FEED WITH "SMART APPLICATOR" CONVERSION: 8-2266289-4
 PNEUMATIC FEED WITH "SMART APPLICATOR" CONVERSION: 8-2266289-4
 SERVO FEED WITH "FINE CRIMP HEIGHT ADJUST": 8-2266289-5
- 5. ADJUSTMENT OF THE STRIPPER MAY BE REQUIRED WHEN MOVING THE APPLICATOR BETWEEN BENCH AND LEADMAKER APPLICATIONS.
- APPLY PART NUMBER 1-23419-5 LOCTITE TO THREADS OF ITEM 62. APPLY PART NUMBER 2-23419-6 LOCTITE TO THREADS OF ITEM 242.
- GREASE THREADS, GROOVE AND O-RING ON ITEMS 139 & 152.
- MAGNET MUST BE ORIENTED CORRECTLY IN ORDER TO PROPERLY ACTUATE THE COUNTER.
- CRIMP HEIGHT REFERENCE SETTING WAS THE SETTING USED WHEN THE APPLICATOR WAS QUALIFIED AT THE FACTORY. ADJUSTMENT MAY BE NECESSARY WHEN RUNNING APPLICATOR IN THE FIELD.
- SPARE FEED CAM STORAGE LOCATION REFER TO INSTRUCTION SHEET FOR ADDITIONAL INFORMATION.
- TO CONVERT THE APPLICATOR TO A NON-CARRIER CUTTING STYLE, REMOVE ITEM 13 AND ATTACH TO THE LOCATION ON BACK SIDE OF THE HOUSING. REFER TO INSTRUCTION SHEET FOR ADDITIONAL INFORMATION.
- CUT TO LENGTH AT ASSEMBLY.

***WARNING**
 ON INSTALLATION, SET WIRE DISC, ITEM 40 TO LARGEST WIRE SIZE SETTING. USE OF SETTINGS BELOW MINIMUM REQUIRED CRIMP HEIGHT SETTING WILL CAUSE DAMAGE TO CRIMP TOOLING.

-	2	2	2	2	2168083-1	SCR, SKT HD CAP, RoHS, M3 X 8.0	269
-	1	1	1	1	1633782-4	FENCE	267
-	1	1	1	1	2119782-1	FINE ADJUST HEAD ASM, PACIFIC STYLE	251
-	-	-	-	-	2119640-1	PUSH ROD, AIR FEED	250
-	-	-	-	-	2079988-1	BUSHING, LCH5-12, MISUMI	249
-	1	1	1	1	1-22279-3	SPRING, COMPRESSION	246
-	1	1	1	1	2119082-3	CAM, SNAIL, INSULATION ADJUSTMENT	244
-	1	1	1	1	2079764-1	WASHER, WAVE SPRING, CREST-TO-CREST	243
-	1	1	1	1	2119083-1	RETAINER, INSULATION DIAL	242
-77	-27	-25	-22	-21	PART NO	DESCRIPTION	ITEM NO

PACIFIC VERSION
 Shown on sheets 3 of 4 & 4 of 4
 (Atlantic version shown on sheets 1 of 4 & 2 of 4)

SET UP GAUGE	LOC	DIST	REVISIONS					
2119599-1	A	66	P	LTN	DESCRIPTION	DATE	OWN	APVD
			-	-	SEE SHEET 1	-	-	-

-	1	1	1	1	7-18023-7	SCR, SKT HD CAP M3 X 4.0	241
-	-	2	-	-	2168400-6	SHCS, LOW HEAD, RoHS, M5 X 16	240
-	-	-	-	1	2119580-1	MECHANICAL FEED ASSEMBLY	239
-	-	-	-	1	2063440-1	AIR FEED MODULE	238
-	-	1	-	-	2119740-2	TAG, IDENTIFICATION	213
-	-	1	-	-	1901094-3	SPACER, FEEDER	198
-	-	-	2	-	21045-3	RING, RETAIN, EXTERN, 3/16 CRESCENT	172
	1	1	1	1	994969-1	MAGNET, RARE EARTH HIGH ENERGY	166
-	REF	REF	REF	REF	994970-2	COUNTER, MAGNETIC	164
-	-	-	1	-	240638-1	SPRING, FEED FINGER	163
	1	1	1	1	8-21084-1	O-RING, .801 ID, .070 DIA. MAT.	152
-	-	-	1	-	2119641-2	FEED CAM, AIR FEED	151
-	1	1	1	1	2119798-2	DETENT PIN	145
-	1	1	1	1	2079383-8	SCR, BHSC, RoHS (M4 X 16)	144
-	4	4	4	4	2168400-5	SHCS, LOW HEAD, RoHS, M4 X 20	143
-	-	-	-	1	2119653-2	FEED CAM, POST FEED	142
-	1	1	1	1	1-2119656-0	APPLICATOR BASIC ASSEMBLY, SF	141
-	1	1	1	1	2119650-1	RAM, ASIAN STYLE, SIDE FEED	140
	1	1	1	1	2119092-2	BOLT, ADJUSTMENT	139
-	-	-	1	-	3-23627-7	PIN, RETAIN, GRVD, 3/16 X .854	137
-	-	-	1	-	2119799-1	HOLDER, FEED FINGER, AF	136
-	-	REF	-	-	SEE NOTE 4	MEMORY CHIP, PROGRAMMED	135
-	-	1	-	-	1633743-1	SERVO FEED LATCH ASM	133
-	-	REF	-	-	2119944-1	FEED FINGER ASSEMBLY, SF	117
-	1	1	1	1	2119955-1	ASSY, LUBRICATOR, SIDE FEED	113
-	1	1	1	1	1-690438-0	FRONT STRIP GUIDE	96
-	2	2	2	2	2168083-1	SCR, SKT HD CAP, RoHS, M3 X 8.0	95
-	1	1	1	1	455888-5	SPACER, CRIMPER	82
-	1	1	1	1	2119956-1	DOCUMENTATION PACKAGE	71
-	1	1	1	1	2119791-5	DEPRESSOR, WIRE	70
-	1	-	1	1	2119740-1	TAG, IDENTIFICATION	67
-	2	2	2	2	2168078-1	SCREW, DRIVE, RH, RoHS, 2 x .188	66
-	1	1	1	1	2119793-1	LIMITER, ADJUSTMENT BOLT	63
	3	3	3	3	992763-5	SCR, SET, SOC, CONE POINT, M3 x 4.0	62
-	2	2	2	2	2-18032-5	SCR, SET, FLT POINT M5 X 20.0	61
-	-	-	1	1	5-18022-5	SCR, HEX HD CAP, M4 X 6.0	59
-	-	-	1	1	1338685-1	PAWL, FEED	56
	2	2	2	2	2168083-8	SCR, SKT HD CAP, RoHS, M4 X 16	53
-	1	1	1	1	5018030-1	NUT, HEX, REG, RoHS, M3	52
-	1	1	1	1	811242-5	BUMPER, HOLD DOWN	51
-	1	1	1	1	690753-2	SPACER, TONKER	50
-	-	-	1	2	18023-9	SCR, SKT HD CAP M4 X 6.0	49
-	-	-	-	1	2119652-1	FEED CAM, PRE FEED	48
-	1	1	1	1	2079383-7	SCR, BHSC, RoHS (M8 X 25)	41
-	1	1	1	1	2119645-1	DISC, NUMBERED FA WIRE ADJUSTMENT	40
-	1	1	1	1	2119957-1	APPLICATOR SHIM PACK	39
-	1	1	1	1	1-2119644-2	RAM WASHER, PRECISION	38
-	1	1	1	1	4-1752356-9	SUPPORT, TERMINAL	34
-	2	2	2	2	2079383-5	SCR, BHSC, RoHS (M4 X 20)	33
-	1	1	1	1	2161328-1	HEX HEAD, FLANGED, M5 x 8mm LONG	32
-	1	1	1	1	1-1320908-0	SPACER, STRIP GUIDE	30
-	1	1	1	1	2119959-3	ASSEMBLY, STRIP GUIDE	29
-	2	2	2	2	22283-1	SPRING, COMPRESSION	27
-	1	1	1	1	356835-1	LEVER, DRAG RELEASE	26
-	1	1	1	1	240792-1	DRAG, TERMINAL	25
-	1	1	1	1	1320928-6	STRIP GUIDE	24
-	1	1	1	1	980371-4	SCR, SKT HD SHLDR 5.0 DIA X 6.0	23
-	1	1	1	1	2168083-2	SCR, SKT HD CAP, RoHS, M4 X 8.0	21
-	2	2	2	2	1-18028-2	WASHER, FLAT, REG M4	20
-	1	1	1	1	2119533-1	STRIPPER, SIDE FEED	19
	1	1	1	1	2119806-1	INSERT, SHEAR	13
-	1	1	1	1	3-22280-3	SPRING, COMPRESSION	12
-	1	1	1	1	1-356885-4	STOP, SHEAR	11
	1	1	1	1	2119805-1	SHEAR HOLDER, FRONT	10
	1	1	1	1	318707-1	FLOATING SHEAR, FRONT	9
	1	1	1	1	1-1803055-0	ANVIL, COMBINATION	8
-	1	1	1	1	240641-5	SPACER	7
-	-	-	-	-	-	-	6
-	1	1	1	1	2119757-8	DEPRESSOR, SHEAR	5
-	1	1	1	1	238011-8	BLOCK, CRIMPER SPACER	4
	1	1	1	1	3-1633961-0	CRIMPER, INSULATION F PREMIUM	3
-	1	1	1	1	455888-6	SPACER, CRIMPER	2
	1	1	1	1	2-456408-9	CRIMPER, WIRE PREMIUM	1
-77	-27	-25	-22	-21	PART NO	DESCRIPTION	ITEM NO

DIMENSIONS:		TOLERANCES UNLESS OTHERWISE SPECIFIED:		DATE		NAME	
mm	0 PLC ±.5	1 PLC ±.5	2 PLC ±.5	3 PLC ±.5	4 PLC ±.5	5 PLC ±.5	6 PLC ±.5
	ANGLES ±.0001	FINISH					
MATERIAL							
Customer Accessible Production Drawing				SCALE	SHEET	OF	REV
				1:2	3	4	B

