

MICRO SWITCH

FREERPORT ILLINOIS, U.S.A
A DIVISION OF HONEYWELL

FED. MFG. CODE 91929

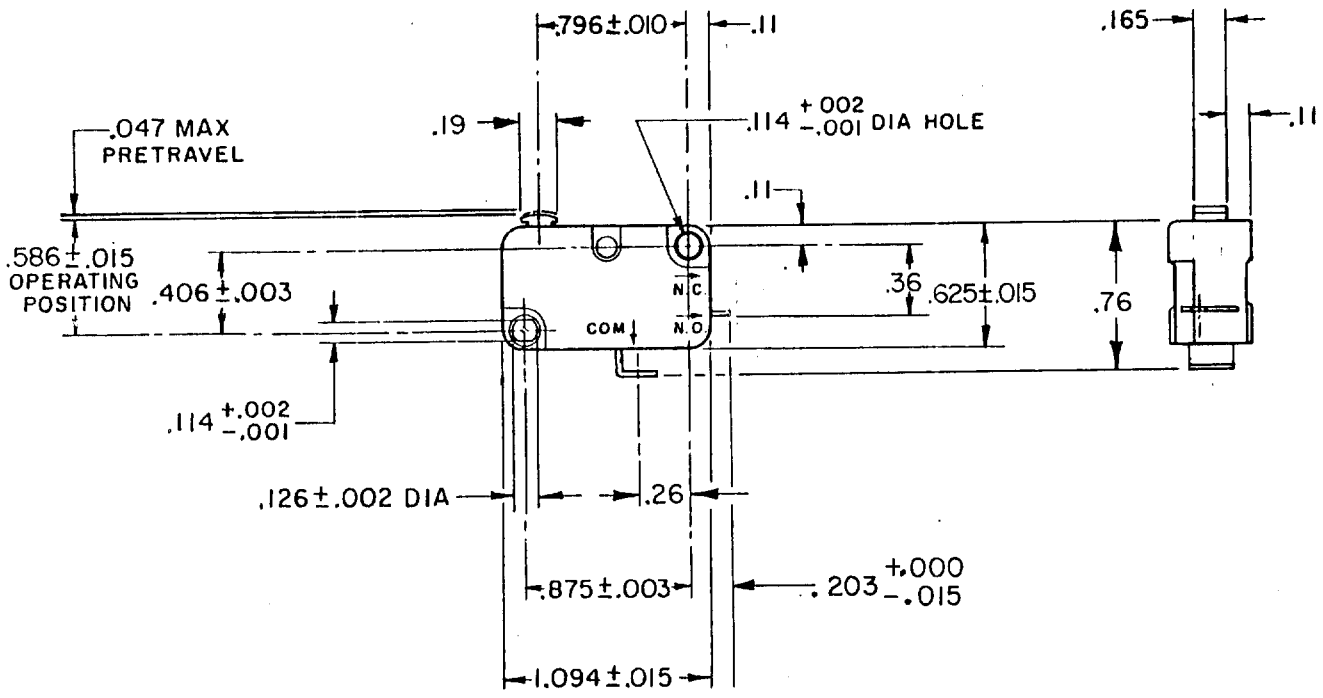
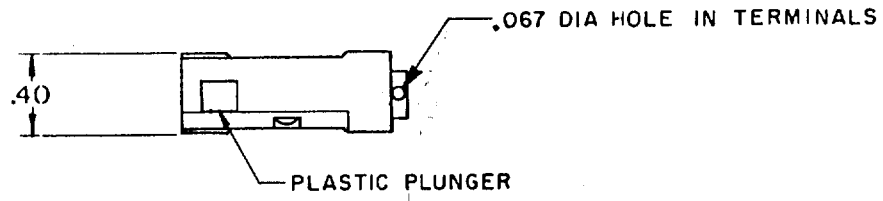
SWITCH-BASIC

V3-1004

CK-L0400

S

V3-1004
 M
 DRAWING NUMBER
 X 6
 ISSUE
 X
 CHECK
 REVISIONS
 CO-34110
 P K
 SEP 74
 CO
 44823
 S L B
 I AUG 78
 CO45416
 D J W
 O JAN 79
 CO
 36987
 SMA
 OCT 85
 CO74635
 KDR
 MAY 93
 K P K 12 APR 74
 CHECK L S
 DRAWN
 FO-52848



NOTE -
I - TERMINALS ARE PLATED FOR SOLDERING

THIS DRAWING COVERS A PROPRIETARY ITEM AND IS THE PROPERTY OF MICRO SWITCH, A DIVISION OF HONEYWELL. THIS DRAWING IS NOT TO BE COPIED OR USED WITHOUT THE APPROVAL OF MICRO SWITCH.

CHARACTERISTICS	ELECTRICAL DATA	SCALE FULL
OPERATING FORCE-----12-20 OZ	CONTACT ARRANGEMENT S P N O	DO NOT SCALE PRINT
RELEASE TRAVEL-----.007 MIN	L83 15.1A 1/2HP 125 OR 250 VAC 1/2A 125 VDC, 1/4A 250 VDC 5A 125 VAC "L" RJ Ⓢ	UNLESS OTHERWISE NOTED
RELEASE FORCE-----8 OZ MIN		DIMENSIONS ARE IN INCHES
DIFFERENTIAL TRAVEL-----.006-.016		TOLERANCES ARE
OVERTRAVEL-----.005 MIN		ONE PLACE (.0) ± .030
FREE POSITION-----.635 MAX		TWO PLACE (.00) ± .015
		THREE PLACE (.000) ± .005
		ANGLES ±
		WEIGHT .015 LB