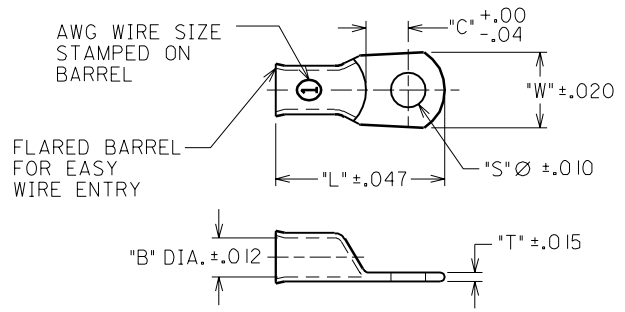


	10	9	8	7	6	5	4	3	2	1		
	TIN PLATED MATERIAL NO.	TIN PLATED ALTERNATE NO.	UNPLATED MATERIAL NO.	UNPLATED ALTERNATE NO.	AWG WIRE RANGE	STUD SIZE	"S"	"L"	"W"	"C"	"B"	"T"
F	1922 10223	BCL-810-PL	1922 10408	BCL-810	8	10	.214	1.200	.445	.375	.185	.070
	1922 10224	BCL-814-PL	1922 10409	BCL-814	8	1/4	.278	1.200	.445	.375	.185	.070
	1922 10225	BCL-8516-PL	1922 10411	BCL-8516	8	5/16	.340	1.200	.445	.375	.185	.070
	1922 10226	BCL-838-PL	1922 10410	BCL-838	8	3/8	.400	1.305	.605	.375	.185	.070
	1922 10414	BCL-812-PL	1922 10415	BCL-812	8	1/2	.520	1.470	.765	.410	.185	.070
	1922 10424	BCL-610-PL	1922 10425	BCL-610	6	10	.214	1.270	.445	.350	.230	.075
	1922 10227	BCL-614-PL	1922 10406	BCL-614	6	1/4	.278	1.270	.630	.390	.230	.080
	1922 10228	BCL-6516-PL	1922 10407	BCL-6516	6	5/16	.340	1.410	.630	.390	.230	.080
	1922 10229	BCL-638-PL	1922 10384	BCL-638	6	3/8	.400	1.410	.630	.390	.230	.080
	1922 10416	BCL-612-PL	1922 10417	BCL-612	6	1/2	.520	1.560	.765	.410	.230	.080
E	1922 10230	BCL-414-PL	1922 10404	BCL-414	4	1/4	.278	1.530	.525	.410	.283	.080
	1922 10231	BCL-4516-PL	1922 10405	BCL-4516	4	5/16	.340	1.530	.525	.410	.283	.080
	1922 10232	BCL-438-PL	1922 10383	BCL-438	4	3/8	.400	1.530	.525	.410	.283	.080
	1922 10418	BCL-214-PL	1922 10419	BCL-214	2	1/4	.278	1.620	.615	.410	.330	.095
	1922 10233	BCL-2516-PL	1922 10400	BCL-2516	2	5/16	.340	1.620	.615	.410	.330	.095
	1922 10235	BCL-238-PL	1922 10380	BCL-238	2	3/8	.400	1.620	.615	.410	.330	.095
	1922 10236	BCL-212-PL	1922 10399	BCL-212	2	1/2	.520	1.750	.765	.468	.330	.095
	1922 10420	BCL-114-PL	1922 10421	BCL-114	1	1/4	.278	1.720	.655	.410	.350	.100
	1922 10237	BCL-1516-PL	1922 10396	BCL-1516	1	5/16	.340	1.720	.655	.410	.350	.100
D	1922 10238	BCL-138-PL	1922 10378	BCL-138	1	3/8	.400	1.720	.655	.410	.350	.100
	1922 10239	BCL-112-PL	1922 10395	BCL-112	1	1/2	.520	1.830	.765	.468	.350	.100
	1922 10422	BCL-1014-PL	1922 10423	BCL-1014	1/0	1/4	.278	1.830	.725	.410	.400	.110
	1922 10240	BCL-10516-PL	1922 10394	BCL-10516	1/0	5/16	.340	1.830	.725	.410	.400	.110
	1922 10241	BCL-1038-PL	1922 10377	BCL-1038	1/0	3/8	.400	1.830	.725	.410	.400	.110
	1922 10242	BCL-1012-PL	1922 10393	BCL-1012	1/0	1/2	.520	1.830	.725	.410	.400	.110
	1922 10234	BCL-2014-PL	1922 10249	BCL-2014	2/0	1/4	.340	2.062	.815	.500	.454	.110
	1922 10243	BCL-20516-PL	1922 10398	BCL-20516	2/0	5/16	.340	2.062	.815	.500	.454	.110
	1922 10244	BCL-2038-PL	1922 10379	BCL-2038	2/0	3/8	.400	2.062	.815	.500	.454	.110
	1922 10245	BCL-2012-PL	1922 10397	BCL-2012	2/0	1/2	.520	2.062	.815	.500	.454	.110
C	1922 10246	BCL-30516-PL	1922 10402	BCL-30516	3/0	5/16	.340	2.160	.906	.500	.509	.115
	1922 10247	BCL-3038-PL	1922 10381	BCL-3038	3/0	3/8	.400	2.160	.906	.500	.509	.115
	1922 10248	BCL-3012-PL	1922 10401	BCL-3012	3/0	1/2	.520	2.160	.906	.500	.509	.115
	1922 10412	BCL-40516-PL	1922 10413	BCL-40516	4/0	5/16	.340	2.350	.985	.530	.557	.135
	1922 10250	BCL-4038-PL	1922 10382	BCL-4038	4/0	3/8	.400	2.350	.985	.530	.557	.135
	1922 10251	BCL-4012-PL	1922 10403	BCL-4012	4/0	1/2	.520	2.350	.985	.530	.557	.135

E	ADDED 192210234 AND 192210249 ETC2000-0026 9/2
D	CHANGE DIMENSIONS ON THREE PARTS ET80563 12/17 JH
C	ADD DIMENSIONS FOR BCL-610-PL ECN60597 10/31 JH
B	DCN-1201 10/19/94 EMF
LTR.	REVISIONS

MATERIAL: COPPER  
PLATING: TIN

NOTES:  
1. FOR INSPECTION SIGHT HOLE, PLEASE CONSULT FACTORY.  
2. OTHER STUD SIZES MAY BE AVAILABLE, PLEASE CONSULT FACTORY.



### CUSTOMER DRAWING

DIMENSIONS SHOWN (METRIC) INCH	
UNLESS OTHERWISE SPECIFIED TOLERANCES: ANGULAR ± 1/2°	
	INCH METRIC
3 PLACE	± .005 ± ---
2 PLACE	± .01 ± 0.13
1 PLACE	± --- ± 0.25
DRAFT WHERE APPLICABLE MUST REMAIN WITHIN DIMENSIONS	
DRWG. BY: JM	CHK'D. BY: RWD
APP'D. BY: RWD	SCALE: NO:NE

REVISE ONLY ON CAD SYSTEM	
TITLE: EYELET STYLE COPPER TERMINALS LUGS	
<b>ETC INC.</b> PINELLAS PARK, FLA. 33781 U.S.A.	SHEET NO. _____ DATE 94/02/14
PART NO. <b>SEE CHART</b>	DRWG. NO. <b>SD-19221-001</b>
FILE NAME: 19221001.CST	THIS DRAWING CONTAINS INFORMATION THAT IS PROPRIETARY TO MOLEX-ETC INC. AND SHOULD NOT BE USED WITHOUT WRITTEN PERMISSION.
DIV. _____	SIZE _____