

4

3

2

1

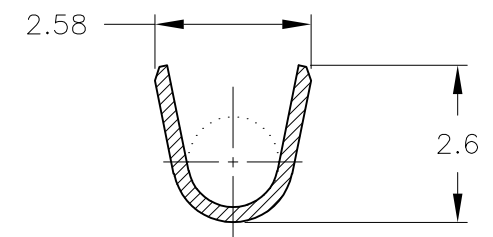
THIS DRAWING IS UNPUBLISHED.

RELEASED FOR PUBLICATION

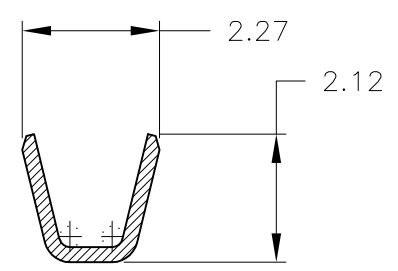
LOC DIST

REVISIONS

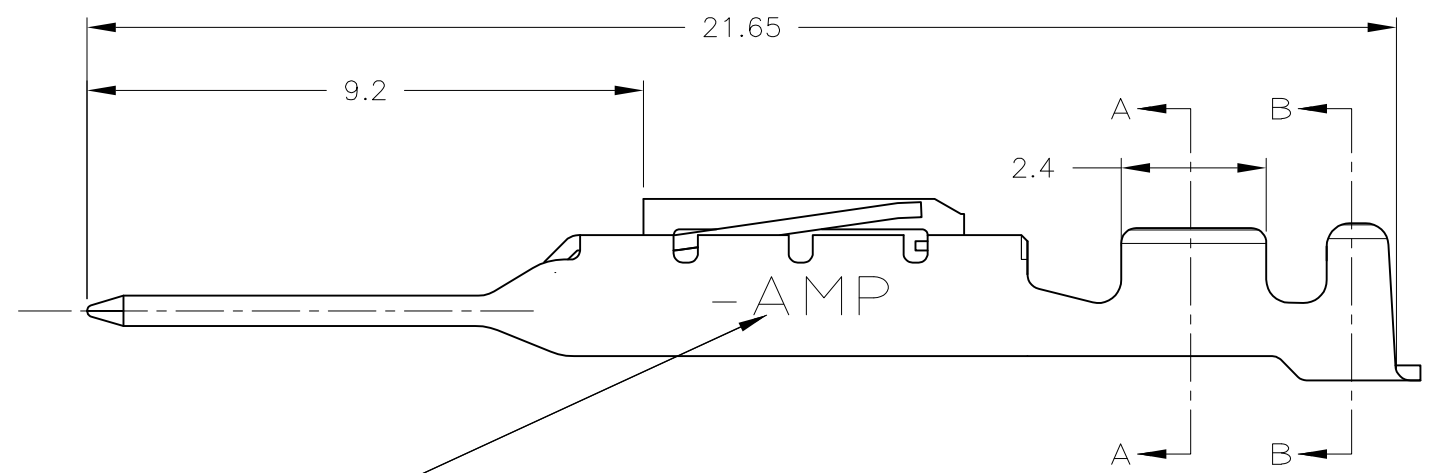
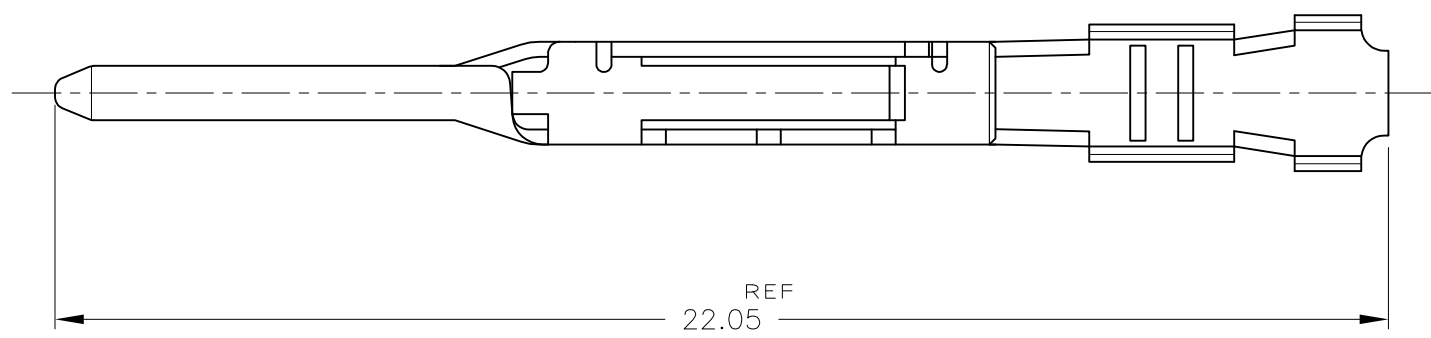
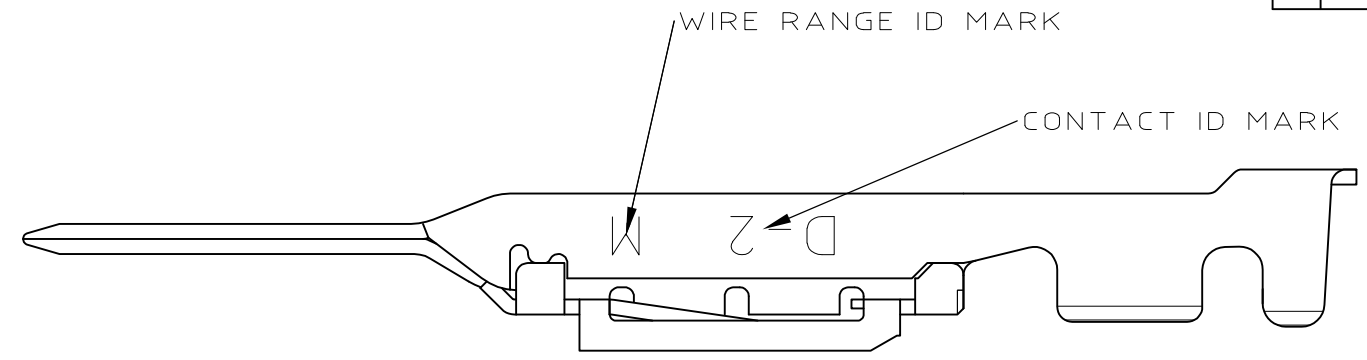
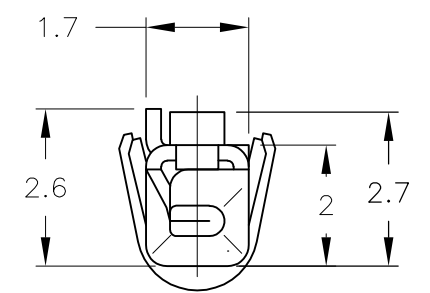
P	LTR	DESCRIPTION	DATE	DWN	APVD
	B1	REVISED PER ECO-11-5030	22MAR11	RK	HMR



SECT B-B



SECT A-A



AMP MARK

-1:AS SHOWN

NOTES

- 1. FINISH (CONTACT AREA): 0.38 μm MIN GOLD PLATING OVER Ni PLATING

DIMENSIONS: mm		TOLERANCES UNLESS OTHERWISE SPECIFIED		DWN K.IKEDA 7/DEC/'98	WIRE RANGE AWG #22~#18	INSULATION DIA 1.3~1.9		
		±0.3 >10 : ±0.35 >30 : ±0.4 ANGLE : ±3°		CHK N.MATSUBARA 7/DEC/'98				
				APVD I.HASEGAWA 7/DEC/'98				
MATERIAL (COPPER ALLOY)		FINISH SEE NOTE		PRODUCT SPEC 108-5619	TAB CONTACT "M" SIZE, L/P <DYNAMIC D-2 SERIES>			
				APPLICATION SPEC 114-5258	SIZE A3	CAGE CODE 00779	DRAWING NO C-1318111	RESTRICTED TO -
				WEIGHT	SCALE 8-1		SHEET 1 OF 1	REV B1
				CUSTOMER DRAWING				