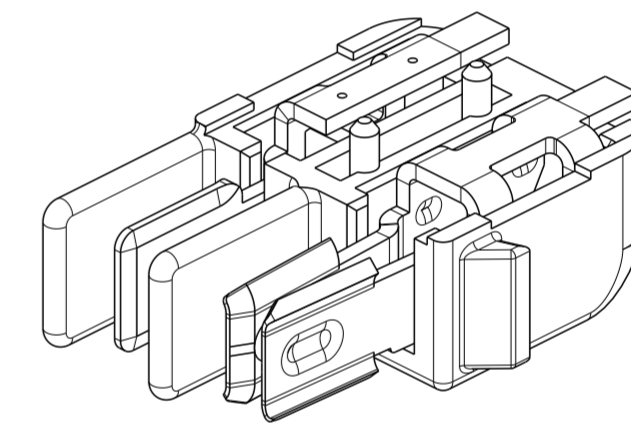
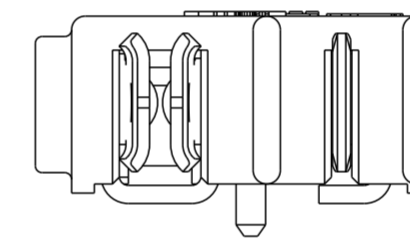
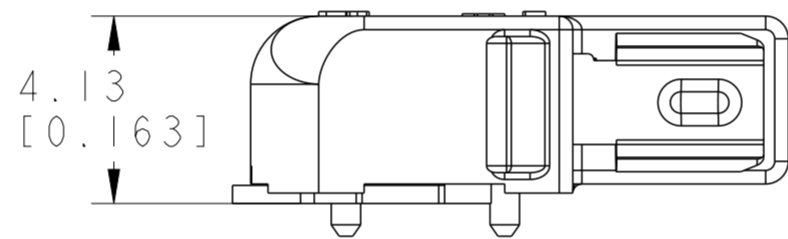
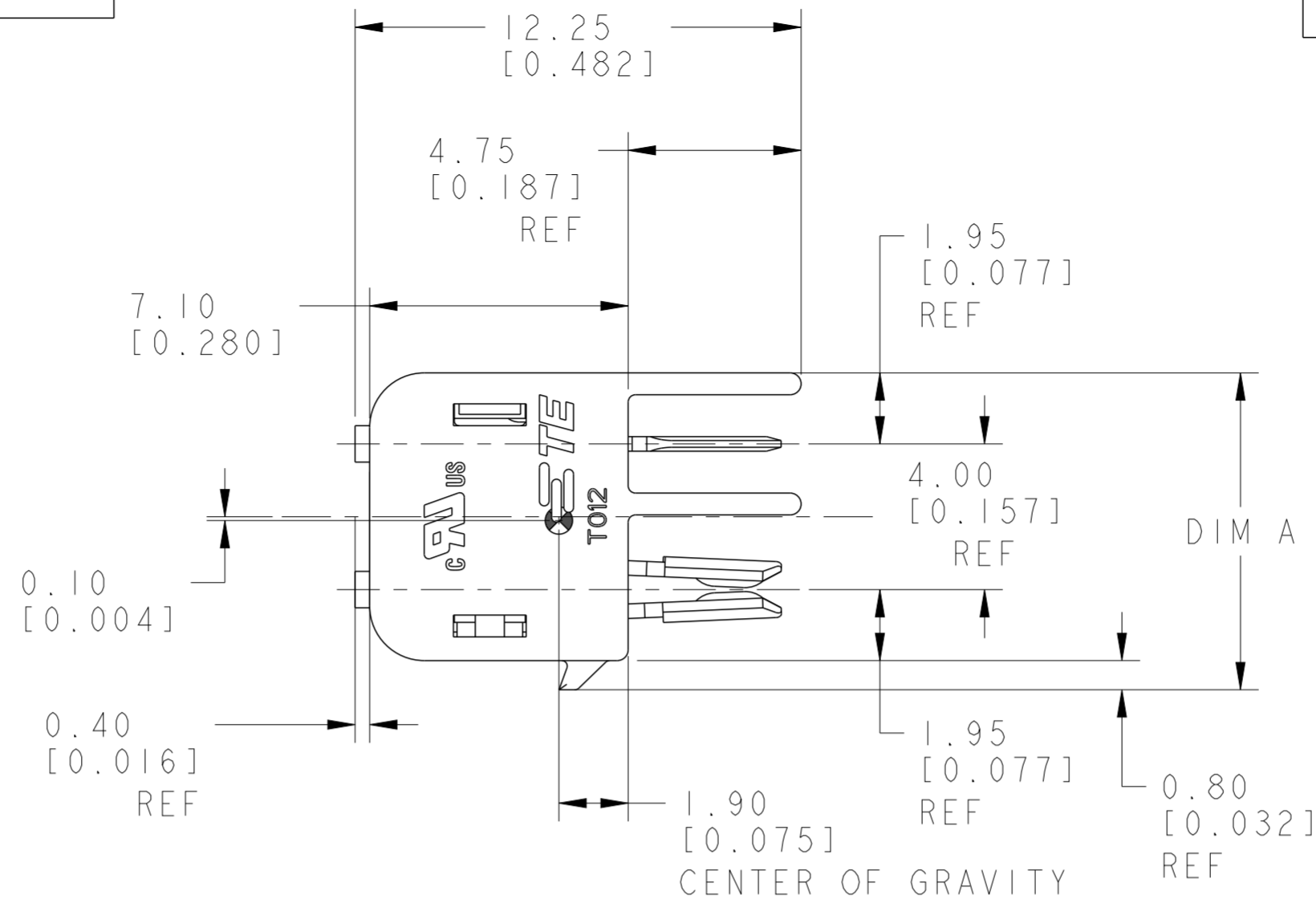


THIS DRAWING IS UNPUBLISHED. RELEASED FOR PUBLICATION 20  
 © COPYRIGHT 20 BY - ALL RIGHTS RESERVED.

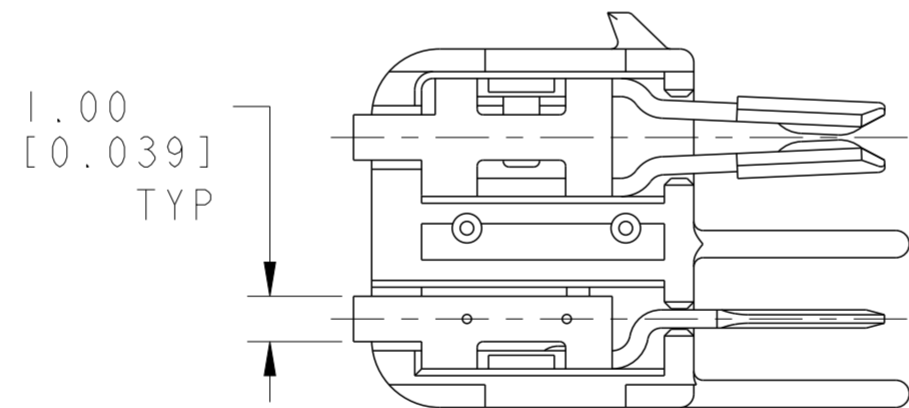
REVISIONS				DATE	DWN	APVD
P	LTR	DESCRIPTION				
	A	REVISED PER ECR-14-006023	25APR2014	RS	DD	

NOTES:

- 1. MATERIALS AND FINISH
  - HOUSING: LCP
  - CONTACTS: COPPER ALLOY, FINISH: GOLD
- 2. PRODUCT TO COMPLY WITH DIRECTIVE 2002/95/EC (ROHS)
- 3. PACKAGED IN TAPE AND REEL PER EIA-481 SPECIFICATIONS



2213289-1/  
 1-2213289-1  
 SHOWN

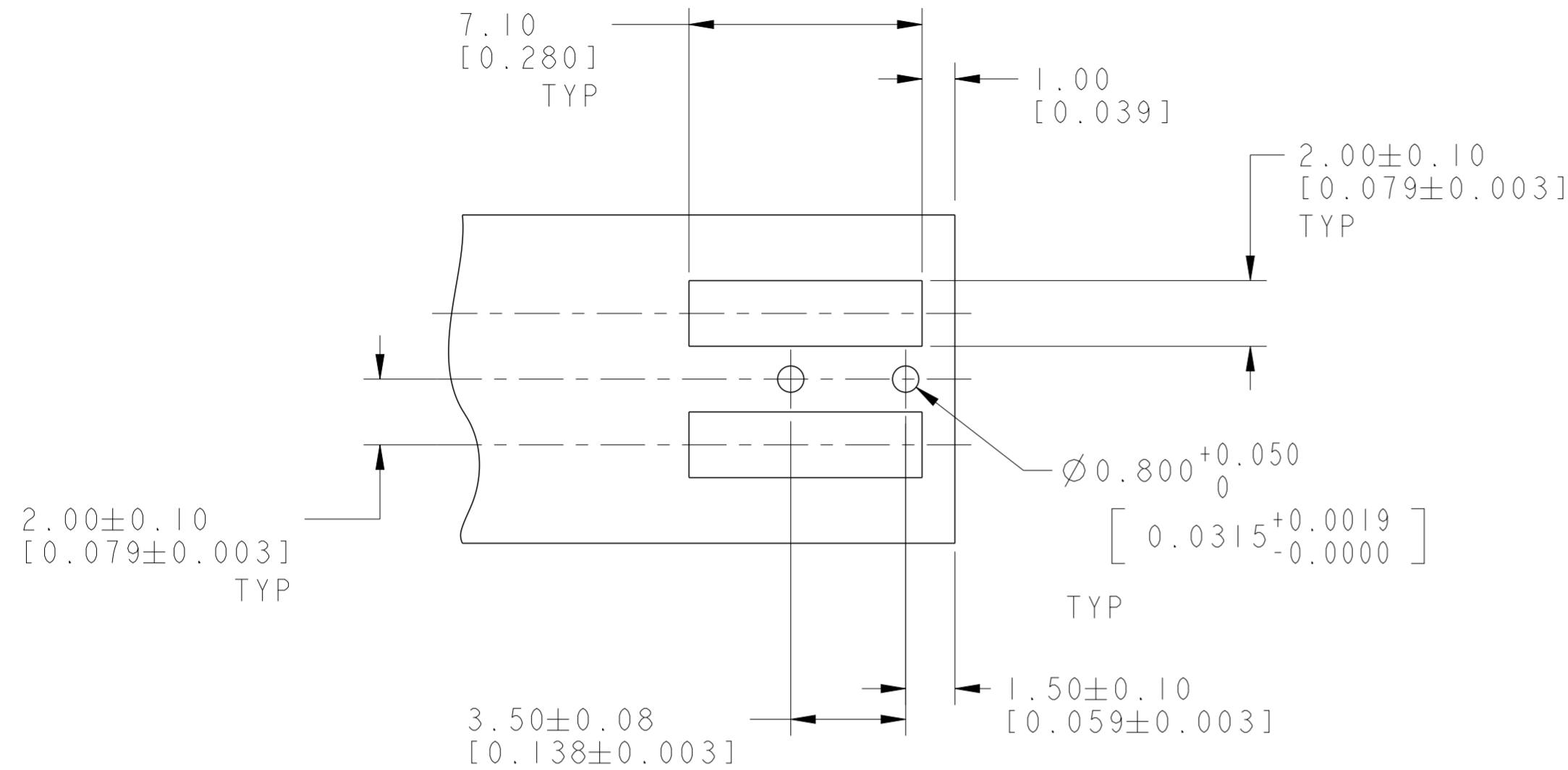


6	BLACK	24.70	1-2213289-3
4	BLACK	16.70	1-2213289-2
2	BLACK	8.70	1-2213289-1
6	NATURAL	24.70	2213289-3
4	NATURAL	16.70	2213289-2
2	NATURAL	8.70	2213289-1
POSITION	COLOR	DIM A	PART NO.

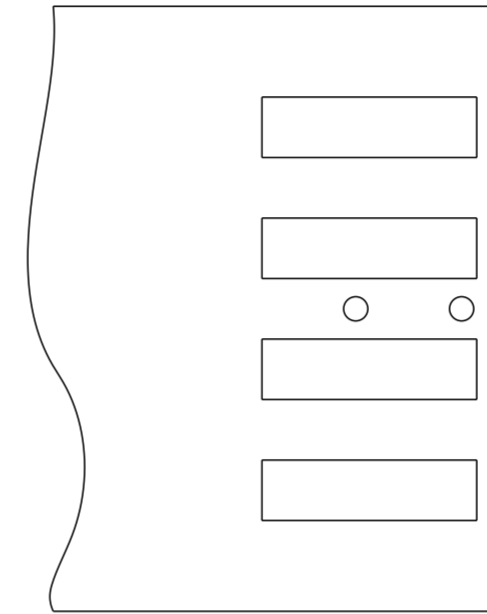
THIS DRAWING IS A CONTROLLED DOCUMENT.		DWN RAVLS 10APR2013	TE Connectivity															
DIMENSIONS: mm		CHK D. DECKER 10APR2013																
TOLERANCES UNLESS OTHERWISE SPECIFIED:		APVD D. DECKER 10APR2013	NAME CONNECTOR ASSEMBLY, HERMAPHRODITIC BLADE AND RECEPTACLE, WITH LATCH AND BOSS															
<table border="1"> <tr> <td>0 PLC</td> <td>±</td> </tr> <tr> <td>1 PLC</td> <td>±</td> </tr> <tr> <td>2 PLC</td> <td>±0.13</td> </tr> <tr> <td>3 PLC</td> <td>±0.013</td> </tr> <tr> <td>4 PLC</td> <td>±</td> </tr> <tr> <td>ANGLES</td> <td>±1°</td> </tr> <tr> <td>FINISH</td> <td></td> </tr> </table>		0 PLC	±	1 PLC	±	2 PLC	±0.13	3 PLC	±0.013	4 PLC	±	ANGLES	±1°	FINISH		PRODUCT SPEC 108-2342	SIZE A200779	
0 PLC	±																	
1 PLC	±																	
2 PLC	±0.13																	
3 PLC	±0.013																	
4 PLC	±																	
ANGLES	±1°																	
FINISH																		
MATERIAL		APPLICATION SPEC 114-13225	DRAWING NO C-2213289															
		WEIGHT -	RESTRICTED TO -															
		Customer Drawing		SCALE 6:1 SHEET 1 OF 2 REV A														

THIS DRAWING IS UNPUBLISHED. RELEASED FOR PUBLICATION 20  
 © COPYRIGHT 20 BY - ALL RIGHTS RESERVED.

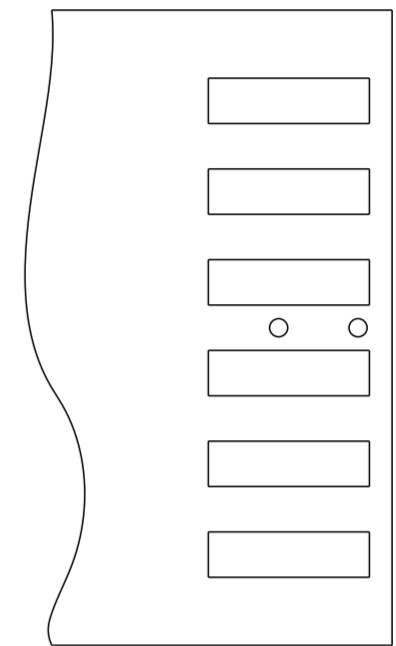
LOC		DIST		REVISIONS			
P	LTR	DESCRIPTION	DATE	DWN	APVD		
-	-	SEE SHEET 1	-	-	-		



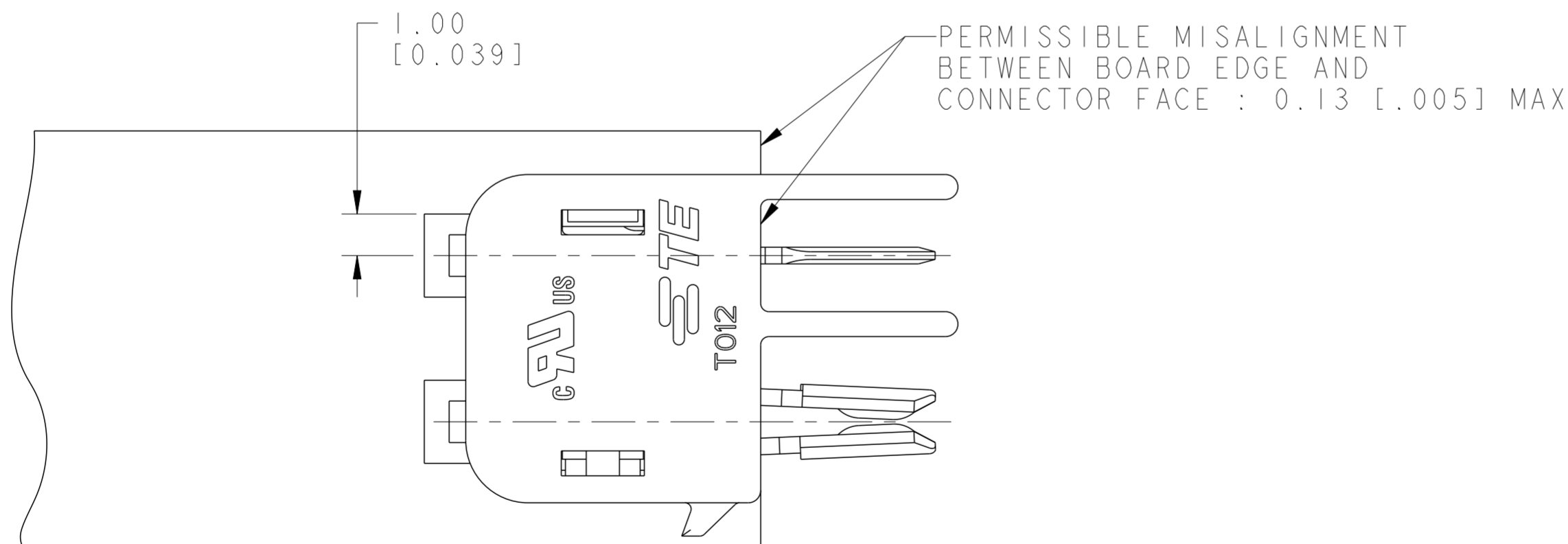
RECOMMENDED PCB LAYOUT FOR 2213289-1 & 1-2213289-1



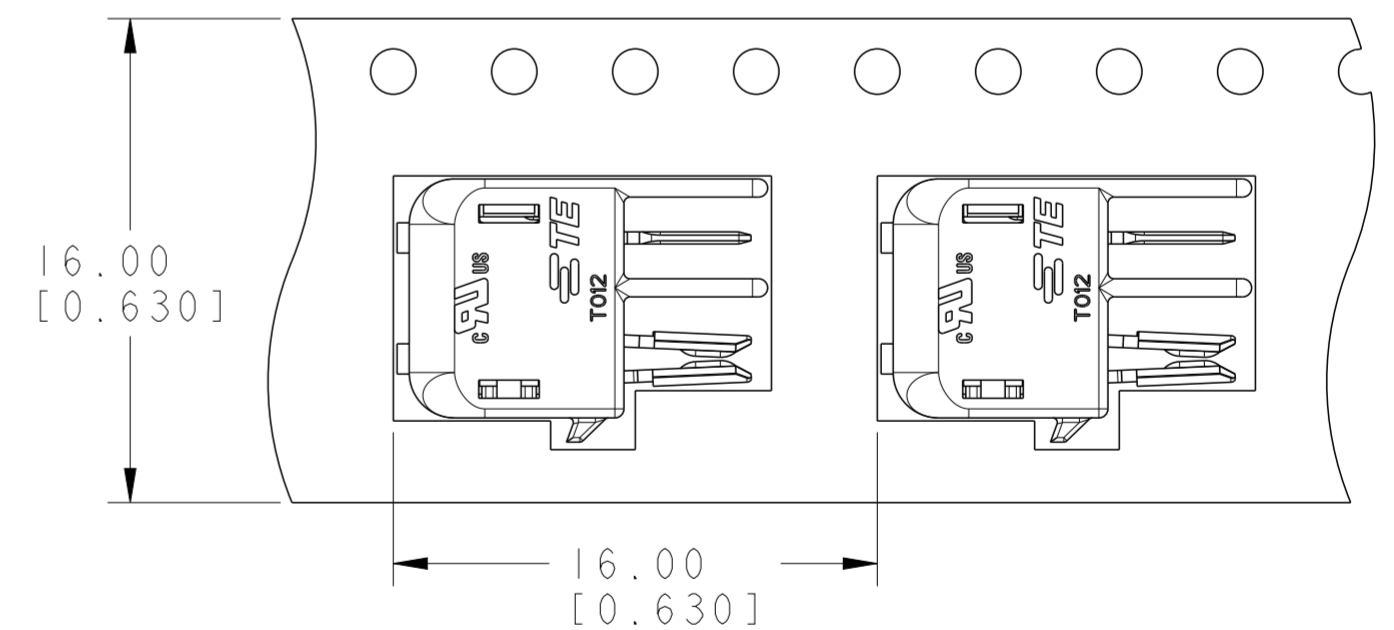
RECOMMENDED PCB LAYOUT FOR 2213289-2 & 1-2213289-2



RECOMMENDED PCB LAYOUT FOR 2213289-3 & 1-2213289-3



SCALE 8:1



TO BE PACKAGED AS SHOWN SCALE 4:1

THIS DRAWING IS A CONTROLLED DOCUMENT.		DWN RAVLS 10APR2013	TE Connectivity	
DIMENSIONS: mm		CHK D. DECKER 10APR2013		
TOLERANCES UNLESS OTHERWISE SPECIFIED:		APVD D. DECKER 10APR2013	NAME CONNECTOR ASSEMBLY, HERMAPHRODITIC BLADE AND RECEPTACLE, WITH LATCH AND BOSS	
		PRODUCT SPEC 108-2342	SIZE A200779	
MATERIAL		APPLICATION SPEC 114-13225	DRAWING NO C-2213289	
		WEIGHT -	RESTRICTED TO -	
		Customer Drawing		SCALE 6:1 SHEET 2 OF 2 REV A