

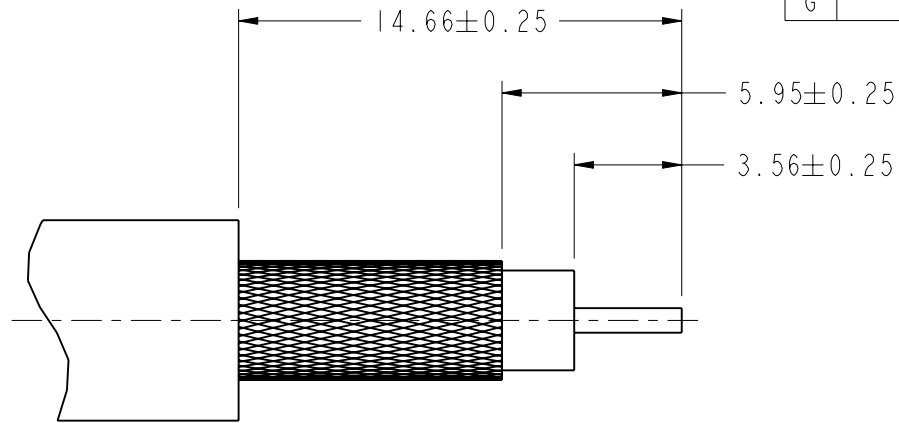
NOTES:

1. MATERIALS AND FINISHES:
 BODY - BRASS, NICKEL PLATING.
 CONTACT - BRASS, GOLD PLATING.
 INSULATOR - PTFE, NATURAL
2. ELECTRICAL:
 A. IMPEDANCE: 75 OHM
 B. DIELECTRIC WITHSTANDING VOLTAGE: 1500 VRMS, MIN.
3. MECHANICAL:
 A. DURABILITY: 500 CYCLES MIN.
 B. TEMPERATURE RANGE: -65° C TO +165° C
4. WHEN CRIMPING CONTACT PIN TO CABLE, CRIMP WITH AMPHENOL TOOL 227-944 (M22520/5-01) AND DIE SET 227-980-1, CAVITY 'B' (OR CTL-6, .052 DIAMOND; OR CTL-8, .052 DIAMOND)
5. WHEN CRIMPING FERRULE TO CABLE, CRIMP WITH AMPHENOL TOOL 227-944 (M22520/5-01) AND DIE SET 227-980-1, CAVITY 'A' (OR CTL-6, .255 HEX; OR CTL-8, .255 HEX)
6. USE WITH CABLE: RG59, BELDEN 8221, 8241, 8241A, 8241F, 8263, 8279, 8279A, 9209, 9209A AND 9244.

THIRD ANGLE PROJ.

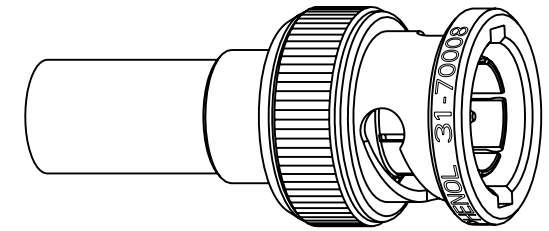
REVISIONS

REV	DESCRIPTION	DATE	ECO	APPR
B	ROLLING WAS STAKE\RD-DA05091401J	14-Sep-05		JACK
BI	ADDED A SLOT\N/A	17-Jan-06		JUSTIN
C	SEE SHEET I	14-Sep-06		SH
G	SEE SHEET I	11-Mar-10	47700	SH

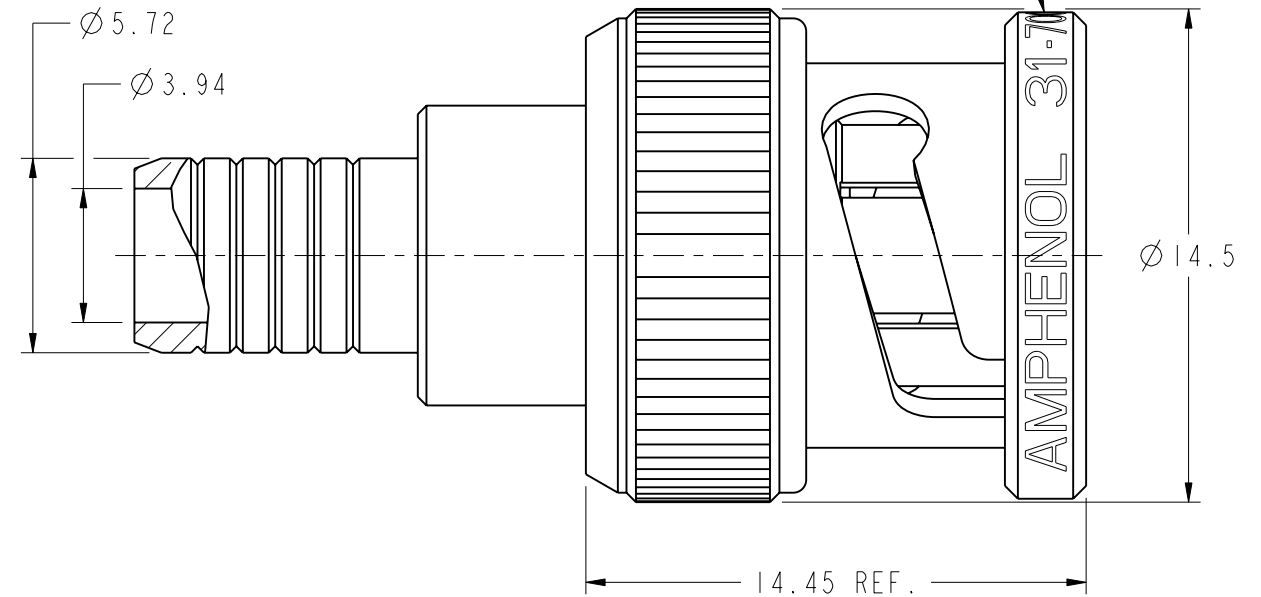
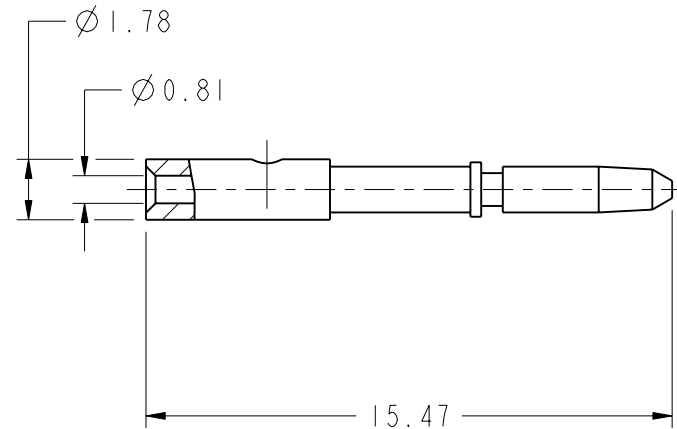
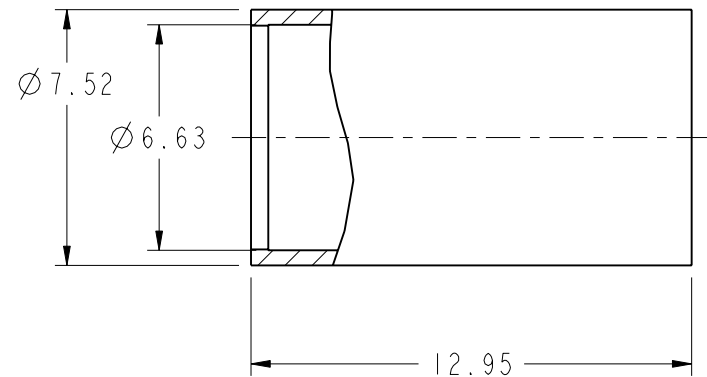


SCALE 4.000

RECOMMENDED CABLE STRIPPING DIMENSIONS



SCALE 2.000



CUSTOMER OUTLINE DRAWING

ALL OTHER SHEETS ARE FOR INTERNAL USE ONLY

UNLESS OTHERWISE SPECIFIED, DIMENSIONS ARE IN METRIC AND TOLERANCES ARE:
 <0.5mm ±0.05mm 0.5 - 6mm ±0.1mm 6 - 30mm ±0.2mm 30 - 120mm ±0.3mm ANGLES ±1°

NOTICE - These drawings, specifications, or other data (1) are, and remain the property of Amphenol corp. (2) must be returned upon request; and (3) are confidential and not to be disclosed to any person other than those to whom they are given by Amphenol Corp. the furnishing of these drawings, specifications, or other data by Amphenol Corp., or to any other person to anyone for any purpose is not to be regarded by implication or otherwise in any manner licensing, granting rights to permitting such holder or any other person to manufacture, use or sell any product, process or design, patented or otherwise, that may in any way be related to or disclosed by said drawings, specifications, or other data.

MATERIAL	DRAWN T. DENG	DATE 22-Jan-10	TITLE BNC PLUG (75 OHM) FOR RG-59/U TYPE CABLE	Amphenol RF Danbury CT USA, Tainan, Taiwan, Shenzhen, China www.amphenolrf.com
REFERENCE	ENGINEER D. ROYCE	DATE 6/10/85		
FINISH	APPROVED S. HSIEH	DATE 22-Jan-10	SCALE: 4.5:1.0	DRAWING NO. 31-70008
	CAD FILE I:/BNC/31-70008		SHEET 2 OF 2	ITEM NO. 31-70008
			DWG SIZE B	PART NO. 31-70008
			REV G	