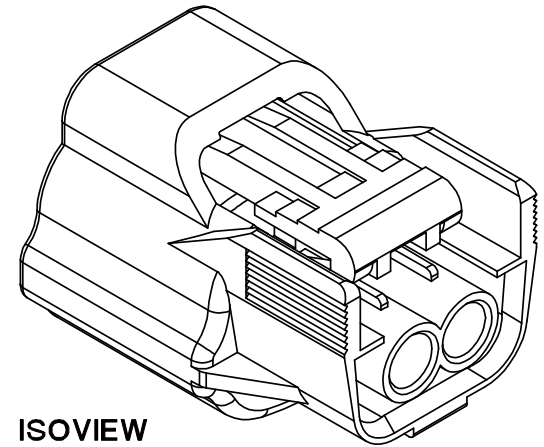
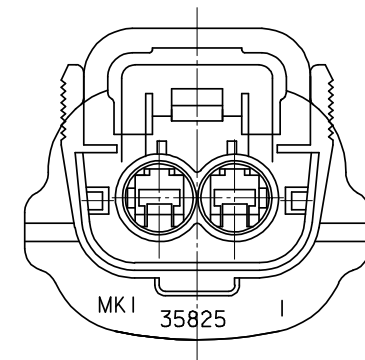
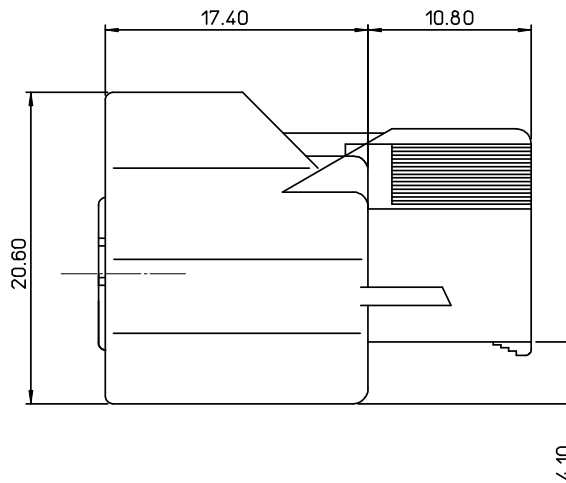
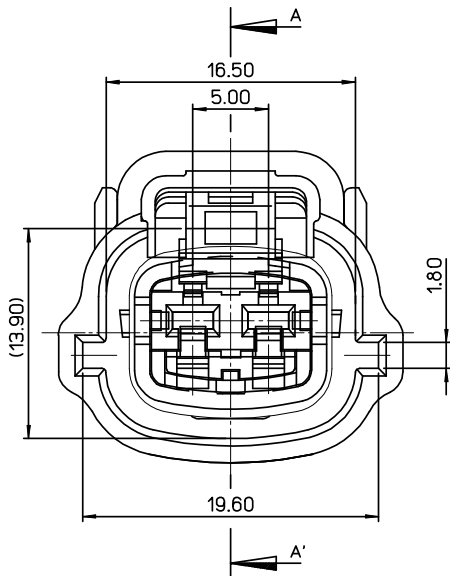


SECTION A-A'



ISOVIEW

NO.	P/NAME	P/NO.	Q'TY	MATERIAL
	090 F/HSG ASS'Y	35825-0211	1	-
1	FEMALE HS'G 2P	35825-0291	1	P.B.T
2	FRONT T.P.A 2P	35826-0283	1	P.B.T
3	FRONT SEAL 2P	35903-0021	1	SILICONE



<NOTE>

1. APPLICABLE FEMALE TERMINAL : 35407-6702(S)
35407-6902(L)
2. APPLICABLE WIRE SEAL : 35903-0022(M)
35903-0023(L)

MATERIAL NO.	ENG. NO.	PACKING
358250211	35825-0211	POLYBAG
358250221	35825-0221	TRAY

ADDED OF PARTS
 EEC NO: KOR2008-0164
 2008/04/08
 B DRWNEKIM 2008/04/08
 CHKD:BCY00N 2008/04/08
 APPR:YUNS IKKIM 2008/04/08

QUALITY SYMBOLS
 ▽=0
 ▽=0

GENERAL TOLERANCES (UNLESS SPECIFIED)

	mm	INCH
4 PLACES	± 0.10	± 0.004
3 PLACES	± 0.15	± 0.005
2 PLACES	± 0.20	± 0.008
1 PLACE	± 0.30	± 0.012

ANGULAR ± 1 °

DRAFT WHERE APPLICABLE
 MUST REMAIN WITHIN DIMENSIONS

DIMENSION STYLE
 MM ONLY

DRAWN BY	DATE
HCRHO	1997/11/18
CHECKED BY	DATE
BKCHOI	1997/11/18
APPROVED BY	DATE
CWLEE	1997/11/18

MATERIAL NO.
 SEE TABLE

SCALE
 4:1

DESIGN UNITS
 METRIC

THIRD ANGLE PROJECTION

TITLE
 .090 SEALED FEMALE HSG ASS'Y 2P

MOLEX INCORPORATED

DOCUMENT NO.
 SD-35825-0211

SHEET NO.
 1 OF 1

THIS DRAWING CONTAINS INFORMATION THAT IS PROPRIETARY TO MOLEX INCORPORATED AND SHOULD NOT BE USED WITHOUT WRITTEN PERMISSION