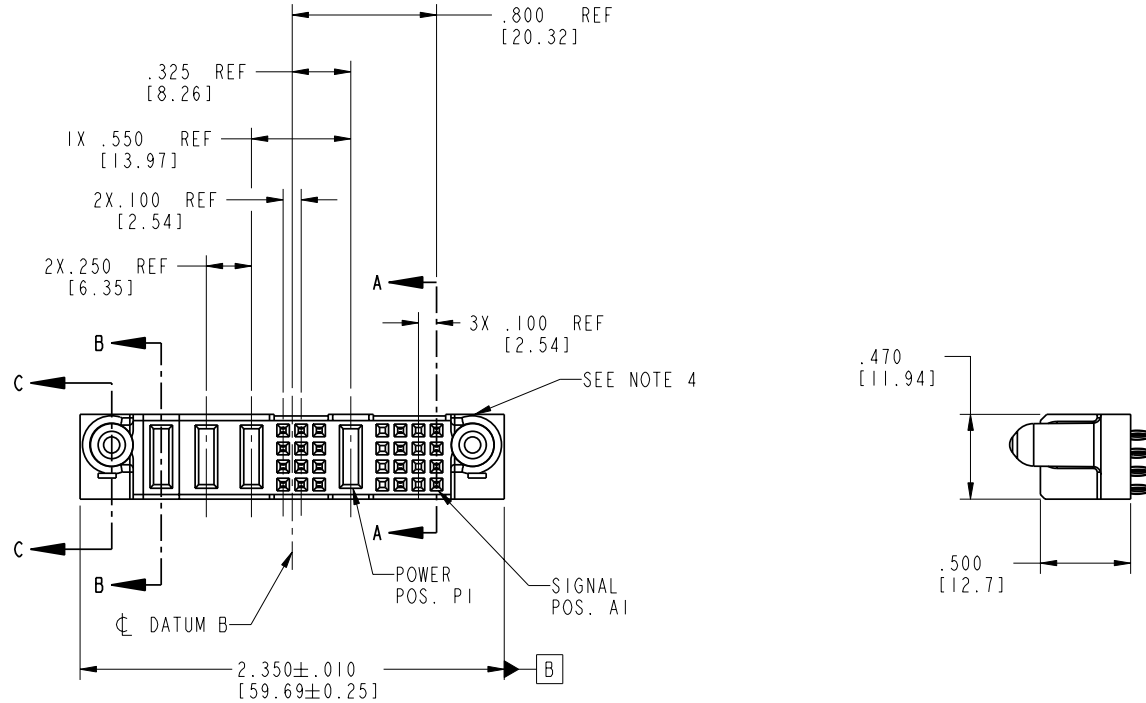


Tous droits strictement réservés. Reproduction ou communication o des tiers interdite sous quelque forme que ce soit sans autorisation écrite du propriétaire. Propriété de c FCI. Droits de reproduction FCI.



All rights strictly reserved. Reproduction or issue to third parties in any form whatever is not permitted without written authority from the proprietor. Property of FCI. Copyright FCI.

| | | | | | | | | | | | | | | |
|-----------------------|-------------|-------|----|----|-----|-----|-----|-----|----|-----|-----|-----|---|----|
| PRODUCT NO. | ROWS | POWER | | | SIG | | | PWR | | | SIG | | | E1 |
| | | E2 | P4 | P3 | P2 | 7 | 6 | 5 | P1 | 4 | 3 | 2 | 1 | |
| 51940-125-- NOTE 3 | D C A | | PF | PC | PC | FFF | FFF | FFF | PC | FFF | FFF | FFF | | |



| CODE | DIM "M" MATING LENGTH | CONTACT TYPE |
|------|-----------------------|--------------|
| PC | .042 [1.07] | POWER |
| F | N/A [N/A] | SIGNAL |
| PF | .092 [2.34] | POWER |
| X | OMITTED | OMITTED |

| | | | | | | | | | | | |
|-------------|-----------|------|----------|------------|-----------------------|---------------------------------------|--|-------------------------|--|------------------|--|
| mat'l code | | | | SEE NOTE 2 | | tolerances unless otherwise specified | | CUSTOMER | | FCI | |
| lir | ecn no. | dr | date | linear | .XX±.01/0.X±0.3 | COPY | | www.fciconnect.com | | | |
| A | DG05-0029 | SLUO | 3/9/05 | | .XXX±.005/0.XX±0.13 | projection | | title 16S+1P+12S +3P | | | |
| B | DG05-0057 | SLUO | 3/24/05 | | .XXX±.002/0.XXX±0.051 | | | VERTICAL PF RECEPT | | | |
| C | DG06-0181 | RYAN | 05/12/06 | angles | 0° ± 2° | INCH/MM | | product family PwrBlade | | code 213 | |
| | | | | dr | SLUO 3/9/05 | scale 1:1 | | size A | | dwg no 51940-125 | |
| | | | | engr | M. MOSTOLLER mm/dd/yy | | | | | sheet 1 of 4 | |
| | | | | chr | VICTOR LIN 3/9/05 | | | | | | |
| | | | | appd | JOSEPH HSIA 3/9/05 | | | | | | |
| sheet index | revision | C | C | C | C | | | | | | |
| | sheet | 1 | 2 | 3 | 4 | | | | | | |

cage code 22526

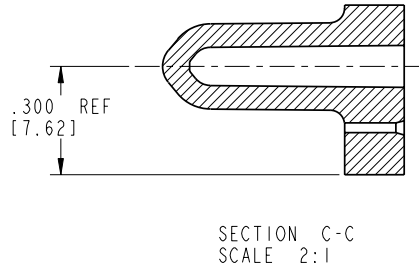
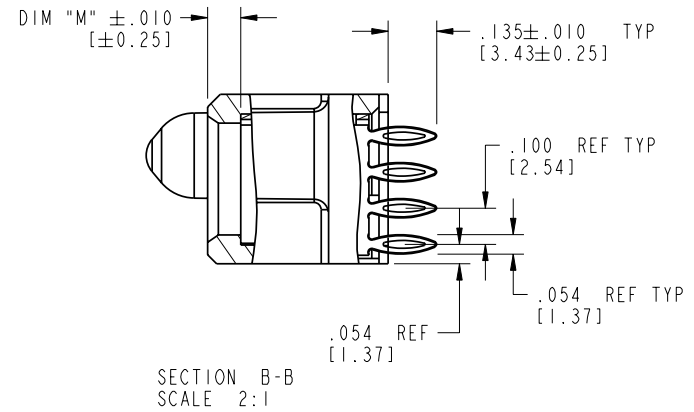
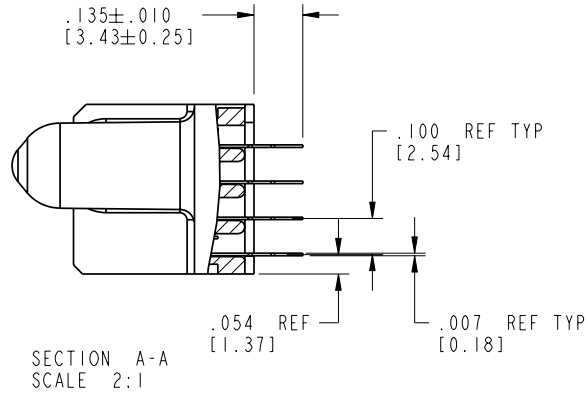
Pro/E

Tous droits strictement reserves. Reproduction ou communication a des tiers interdite sous quelque forme que ce soit sans autorisation écrite du propriétaire. Propriete de c FCI. Droits de reproduction FCI.



All rights strictly reserved. Reproduction or issue to third parties in any form whatever is not permitted without written authority from the proprietor. Property of FCI. Copyright FCI.

PRODUCT NUMBER
51940-125--
NOTE 3



| | | | | | | | | | |
|-----------------------|----------------|----|------|---------------------------------------|-----------------------|------------|---|--------------------|----------|
| mat'l code SEE NOTE 2 | | | | tolerances unless otherwise specified | | CUSTOMER | | FCI | |
| lfr | ecn no. | dr | date | linear | .XX±.01/0.X±0.3 | COPY | | www.fciconnect.com | |
| B | | | | | .XXX±.005/0.XX±0.13 | projection | title 16S+1P+12S +3P VERTICAL PF RECEPT | | |
| | | | | angles | .XXX±.002/0.XXX±0.051 | INCH/MM | | product family | PwrBlade |
| | | | | dr | 0°±2° | scale | size | dwg no | code |
| | | | | engr | SLUO 3/9/05 | 1:1 | A | 51940-125 | 213 |
| | | | | chr | M. MOSTOLLER mm/dd/yy | | | | sheet |
| | | | | appd | VICTOR LIN 3/9/05 | | | | 2 of 4 |
| | | | | | JOSEPH HSIA 3/9/05 | | | | |
| sheet index | revision sheet | | | | | | | | |

cage code 22526

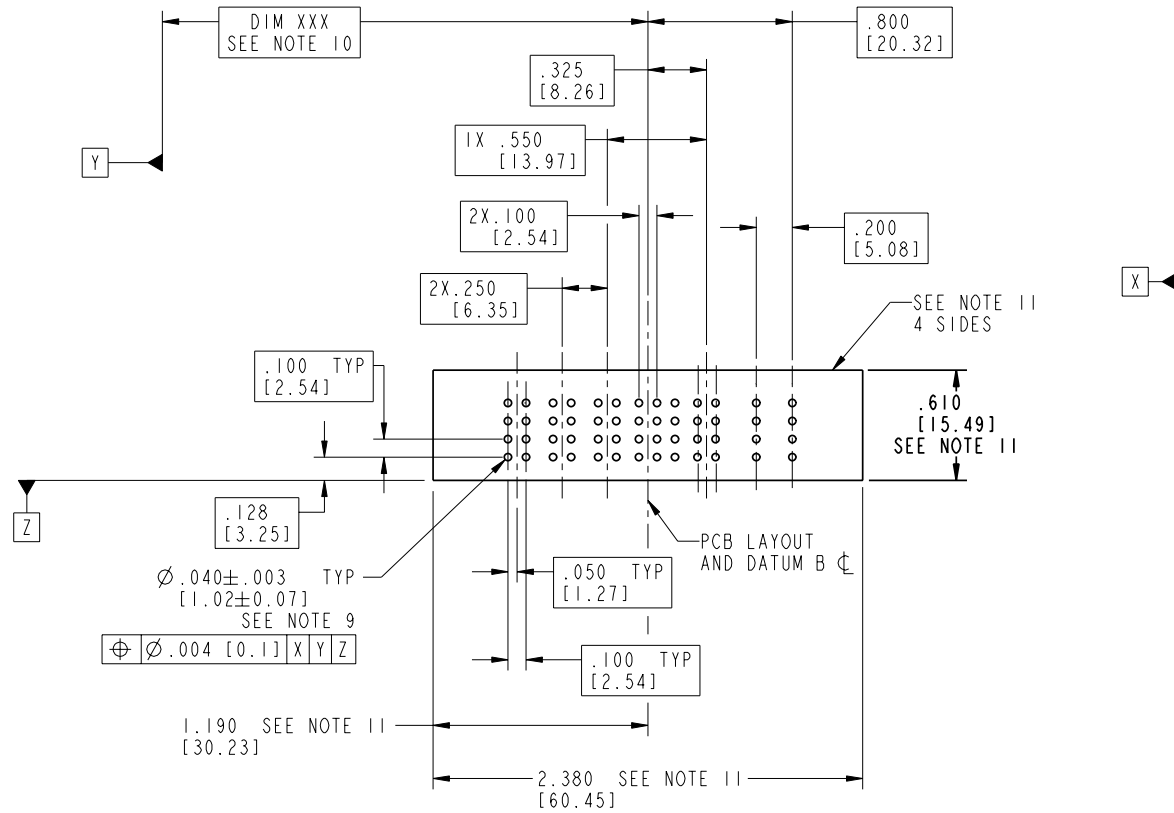
Pro/E

Tous droits strictement reserves. Reproduction ou communication a des tiers interdite sous quelque forme que ce soit sans autorisation écrite du propriétaire. Propriete de c FCI. Droits de reproduction FCI.



All rights strictly reserved. Reproduction or issue to third parties in any form whatever is not permitted without written authority from the proprietor. Property of FCI. Copyright FCI.

PRODUCT NUMBER
51940-125--
NOTE 3



| | | | | | | | | | |
|-------------|---------|----------------|------|---------------------------------------|-----------------------|----------------|---|--------------------|----------|
| mat'l code | | SEE NOTE 2 | | tolerances unless otherwise specified | | CUSTOMER | | FCI | |
| lfr | ecr no. | dr | date | linear | .XX±.01/0.X±0.3 | COPY | | www.fciconnect.com | |
| B | | | | | .XXX±.005/0.XX±0.13 | projection | title 16S+1P+12S +3P VERTICAL PF RECEPT | | |
| | | | | angles | .XXX±.002/0.XXX±0.051 | INCH/MM | | product family | PwrBlade |
| | | | | dr | 0°±2° | scale | 1:1 | size | A |
| | | | | enr | M. MOSTOLLER mm/dd/yy | product family | | PwrBlade | code |
| | | | | chr | VICTOR LIN 3/9/05 | size | | dwg no | 213 |
| | | | | appd | JOSEPH HSIA 3/9/05 | scale | | 51940-125 | sheet |
| sheet index | | revision sheet | | | | | | 3 of 4 | |

cage code 22526

Pro/E

Tous droits strictement reserves. Reproduction ou communication a des tiers interdite sous quelque forme que ce soit sans autorisation écrite du propriétaire. Propriete de c FCI. Droits de reproduction FCI.



All rights strictly reserved. Reproduction or issue to third parties in any form without written authority from the proprietor. Property of FCI. Copyright FCI.

PRODUCT NUMBER
51940-125--
NOTE 3

NOTES:

1. DIMENSIONS AND TOLERANCES ARE IN ACCORDANCE WITH ASME Y14.5M, 1994 UNLESS OTHERWISE SPECIFIED.

CONNECTOR NOTES:

- 2 HOUSING MATERIAL: UL 94 V-0 GLASS FILLED
HIGH-TEMP THERMOPLASTIC
POWER CONTACT MATERIAL: COPPER ALLOY
SIGNAL PIN MATERIAL: COPPER ALLOY
 - 3. PLATING:
SEE PRINT 10064183 FOR PLATING SPEC OF 51940-125; 51940-125LF
 - 4 MANUFACTURER'S NAME, P/N, AND DATE CODE TO APPEAR ON THIS SURFACE.
 - 5. PRODUCT SPECIFICATION GS-12-149.
APPLICATION SPECIFICATION BUS-20-067.
 - 6. PACKAGED IN TRAYS.
- PCB NOTES:
- 7. ALL HOLE DIAMETERS ARE FINISHED HOLE SIZE.
 - 8 MOUNTING HOLES, WHERE APPLICABLE, ARE UNPLATED.
 - 9 $\varnothing .0453 \pm .0010$ [1.151 \pm 0.025] DRILLED HOLES PLATED WITH .0003 [0.008] MIN SnPb OVER .001 [0.03] TO .003 [0.08] Cu PLATING TO ACHIEVE $\varnothing .040 \pm .003$ [1.02 \pm .07] HOLE.
 - 10 "DIM XXX" TO BE DETERMINED BY THE CUSTOMER.
 - 11 CONNECTOR KEEP-OUT ZONE.

| | | | | | | | | | | | |
|-------------|----------|-------|------|------------|-----------------------|---------------------------------------|--|--------------------|--|--------------------|--|
| mat'l code | | | | SEE NOTE 2 | | tolerances unless otherwise specified | | CUSTOMER | | FCI | |
| lfr | ecr no. | dr | date | linear | .XX±.01/0.X±0.3 | COPY | | www.fciconnect.com | | title | |
| B | | | | | .XXX±.005/0.XX±0.13 | projection | | 16S+1P+12S +3P | | VERTICAL PF RECEPT | |
| | | | | angles | .XXX±.002/0.XXX±0.051 | INCH/MM | | product family | | PwrBlade | |
| | | | | dr | 0° ± 2° | scale | | size | | code | |
| | | | | engr | SLUO 3/9/05 | 1:1 | | A | | 213 | |
| | | | | chr | M. MOSTOLLER mm/dd/yy | | | 51940-125 | | sheet | |
| | | | | appd | VICTOR LIN 3/9/05 | | | | | 4 of 4 | |
| | | | | | JOSEPH HSIA 3/9/05 | | | | | | |
| sheet index | revision | sheet | | | | | | | | | |

cage code 22526

Pro/E