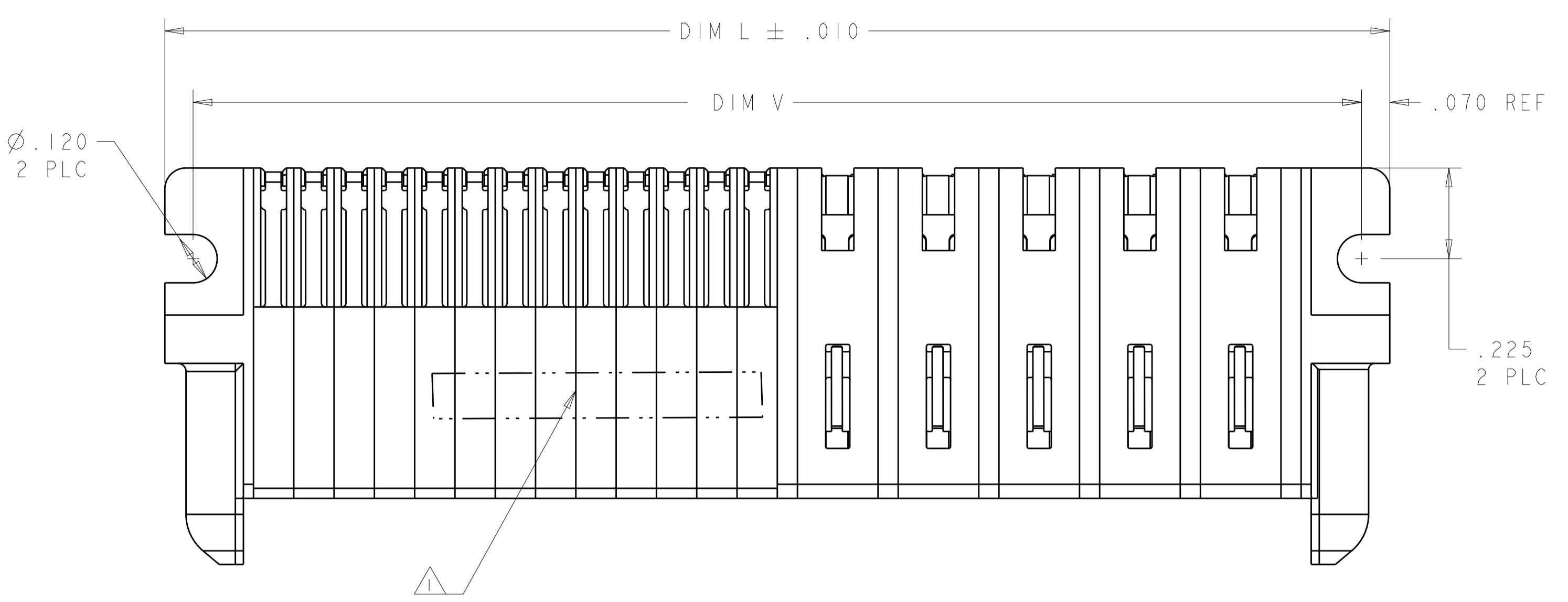
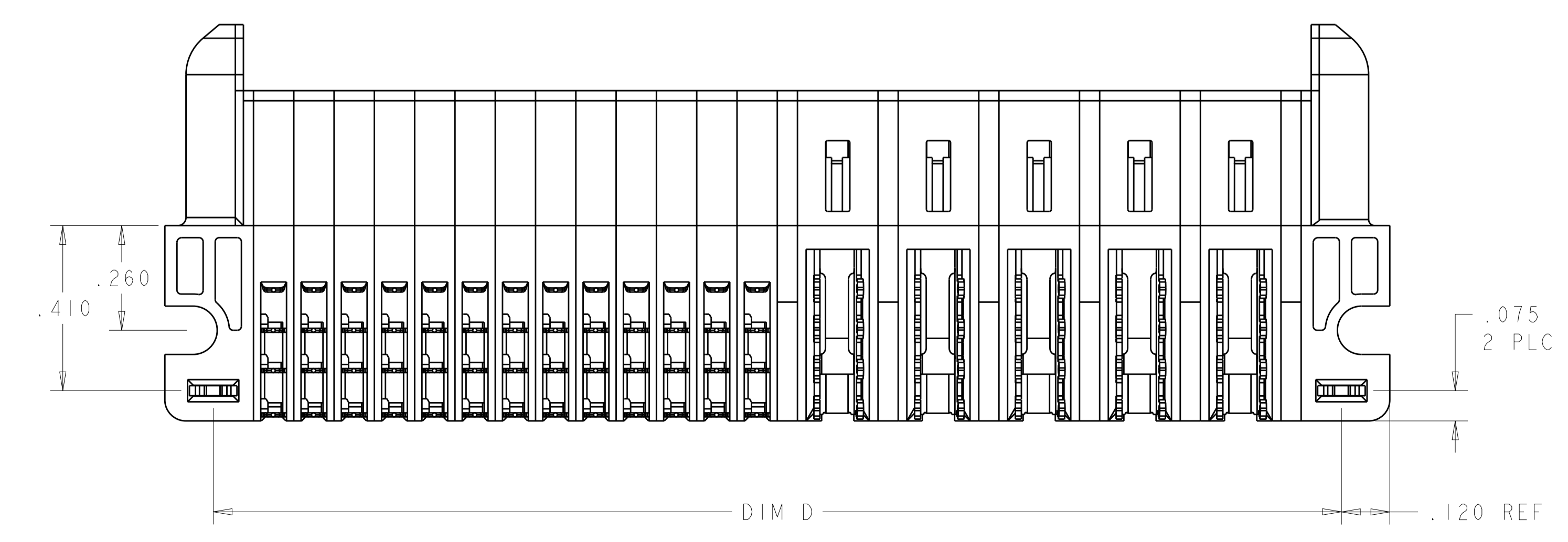
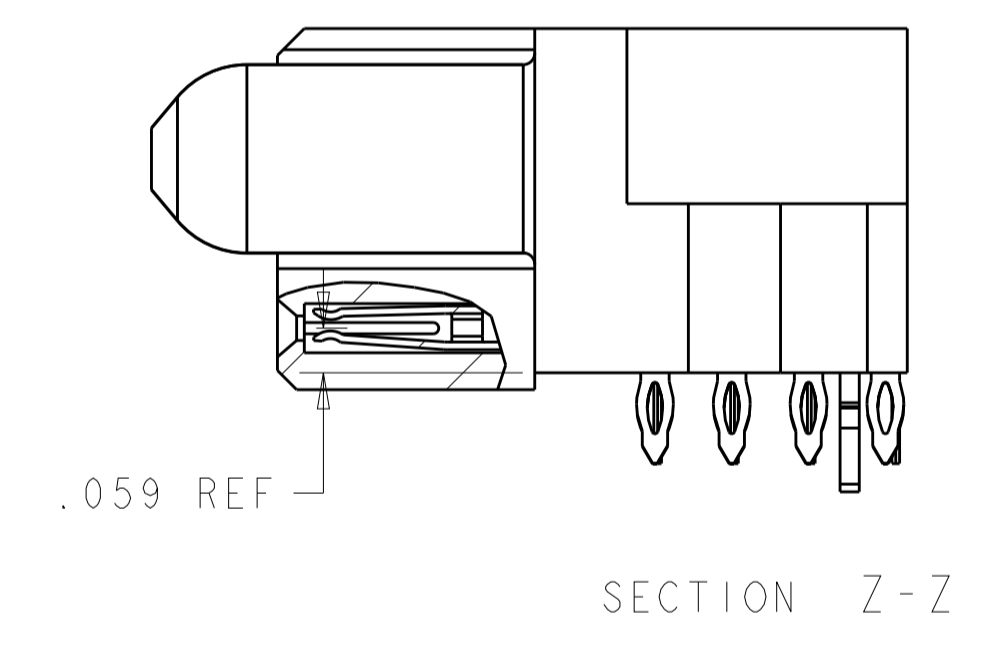
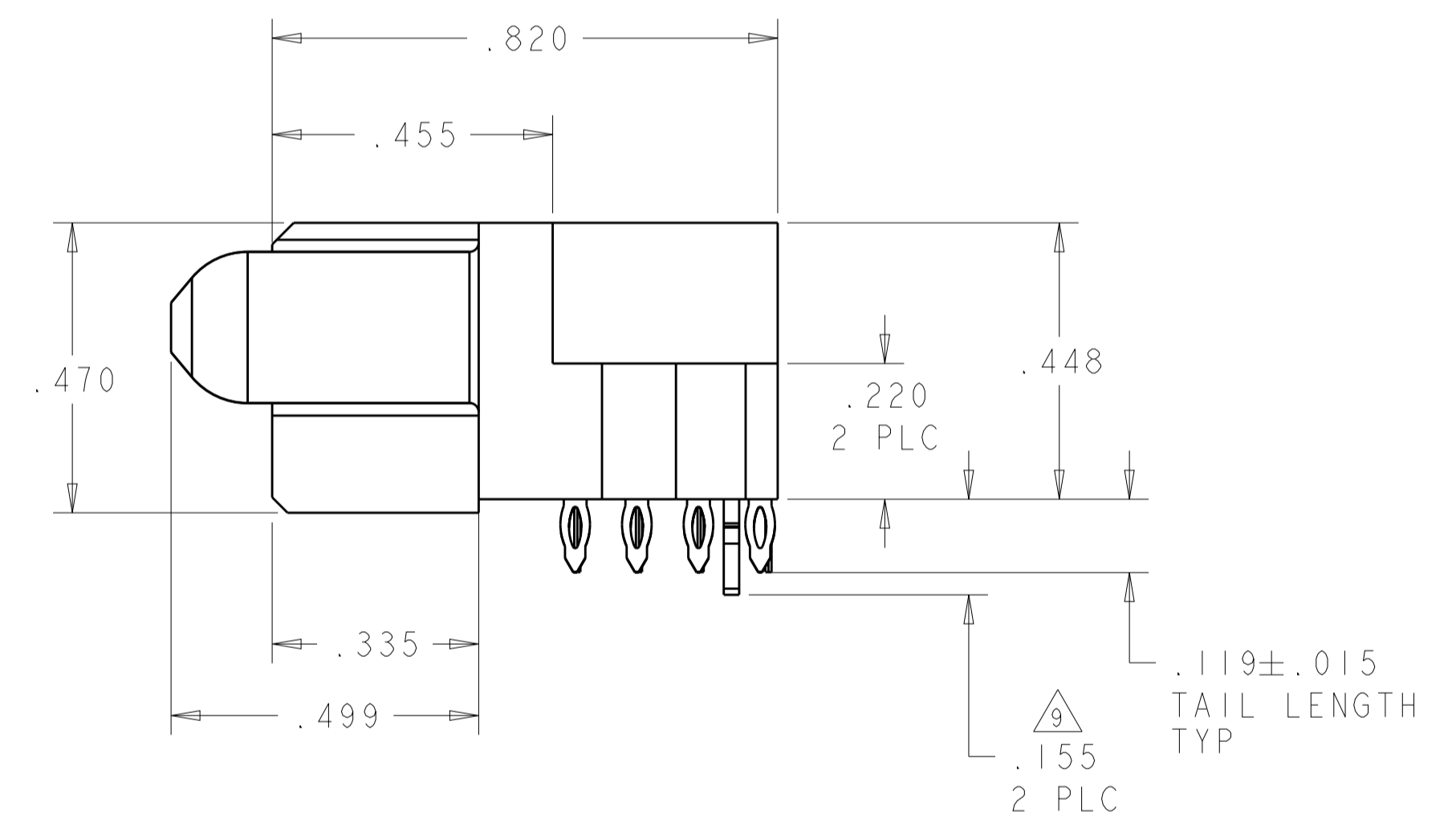
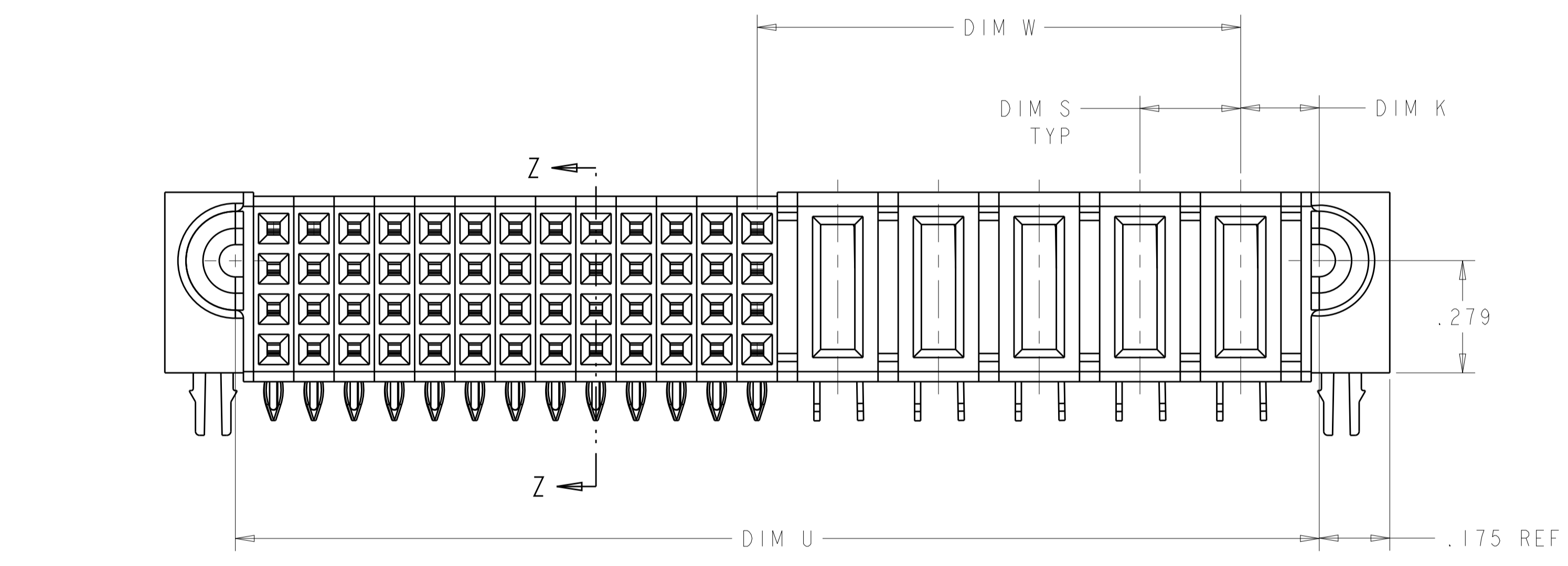


LOC	DIST	REVISIONS					
		P	LTN	DESCRIPTION	DATE	DWN	APVD
ES	00	A2		REV PER ECR-11-019166	21SEP2011	ML	SZ
		A3		CORRECT DRAWING VIEW	16MAR2012	OL	SZ
		A4		ADD HOLD DOWN ON SHEET 1	20MAR2012	OL	SZ
		A5		UPDATE	23MAR2012	OL	SZ



- 1 "AMP", PART NUMBER, AND DATECODE TO BE MARKED IN AREA SHOWN. PARTS UNDER 2.00[50.8] LONG MAY BE MARKED ON BOTH SIDES.
- 2 MATERIAL: HOUSING - GLASS FILLED HIGH TEMP THERMO PLASTIC, BLACK, UL94 V-0
 SIGNAL CONTACT - COPPER ALLOY
 POWER CONTACT - HIGH CONDUCTIVITY COPPER ALLOY
- 3 CONTACT PLATING: NOBLE METAL PLATING ON CONTACT FUNCTIONAL AREA OF POWER AND SIGNAL CONTACTS.
- 4 MECHANICAL CONNECTOR KEEP OUT ZONE.
- 5 DATUM AND BASIC DIMENSIONS ESTABLISHED BY CUSTOMER.
- 6 PCB - HOLE DIAMETERS ARE FINISHED HOLE SIZE.
- 7 PCB - .0453±.0010 DRILLED HOLES PLATED WITH .0003 MIN Sn OVER .001 TO .003 Cu PLATING TO ACHIEVE A .040 DIA HOLE.
- 8 VARIABLE DIMENSION PLEASE REFER TO TABLE
- 9 HOLD DOWN IS OPTIONAL AND PLEASE REFER TO TABLE FOR SPECIFIED PART NUMBERS ON FOLLOWING PAGES



	8	3.740	3.600	3.390	3.500	2.625	0.170	3ACP+8P+24S	6450882-9
3	8	3.790	3.650	3.440	3.550	2.700	.145	13P + 24S	6450882-7
A1	8	.200	3.065	2.925	2.715	-	1.975	10HDP + 24S	6450882-4
A	8	3.740	3.600	3.390	3.500	2.625	0.170	3ACP+8P+24S	6450882-3
A1	8	3.740	3.600	3.390	3.500	2.625	0.170	3ACP+8P+24S	6450882-2
A1	8	3.740	3.600	3.390	3.500	2.625	0.170	3ACP+8P+24S	6450882-1
2	8	.250	1.565	1.425	1.215	1.325	.425	2P + 24S	6450882-8
	DIM S	DIM L	DIM V	DIM U	DIM D	DIM W	DIM K	DESCRIPTION	PART NUMBER

THIS DRAWING IS A CONTROLLED DOCUMENT. DWN: ORANDO L1 19NOV2009
 CHK: SUNY ZHAO 19NOV2009
 APVD: STEVEN YAO
 NAME: STEVEN YAO
 PRODUCT SPEC: 108-2292
 APPLICATION SPEC: 114-13038
 WEIGHT: -
 CUSTOMER DRAWING

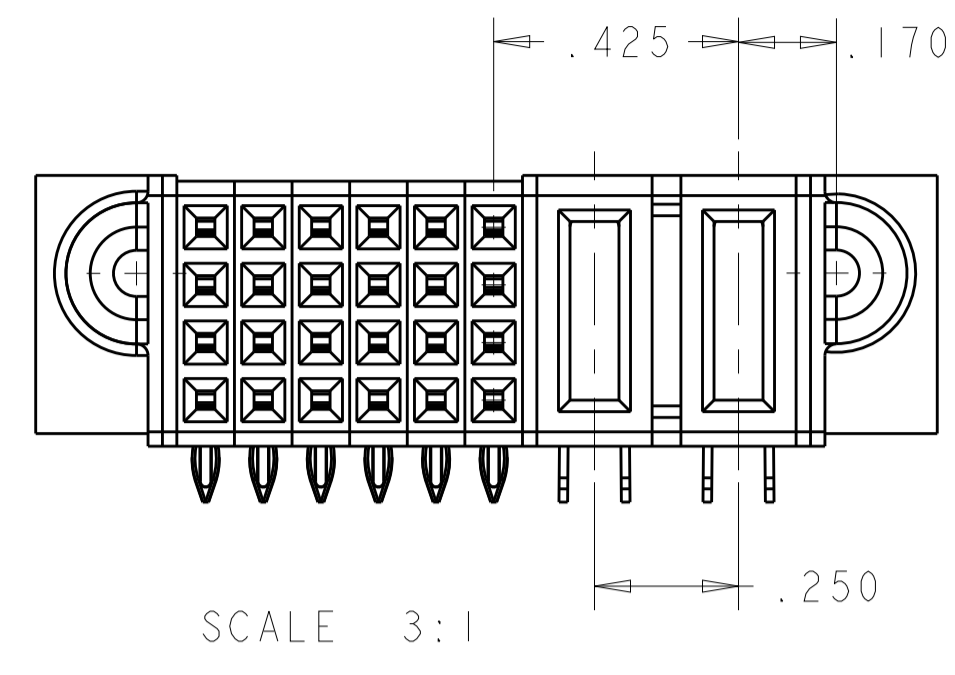
STE TE Connectivity
 RIGHT ANGLE RECEPTACLE AND SHORT END MODULAR MULTI-BEAM XLE

SIZE: A1 CAGE CODE: 6450882 DRAWING NO: 100779
 SCALE: 4:1 SHEET 1 OF 4 REV: A6

LOC	DIST	REV	DATE	APPV
ES	00			

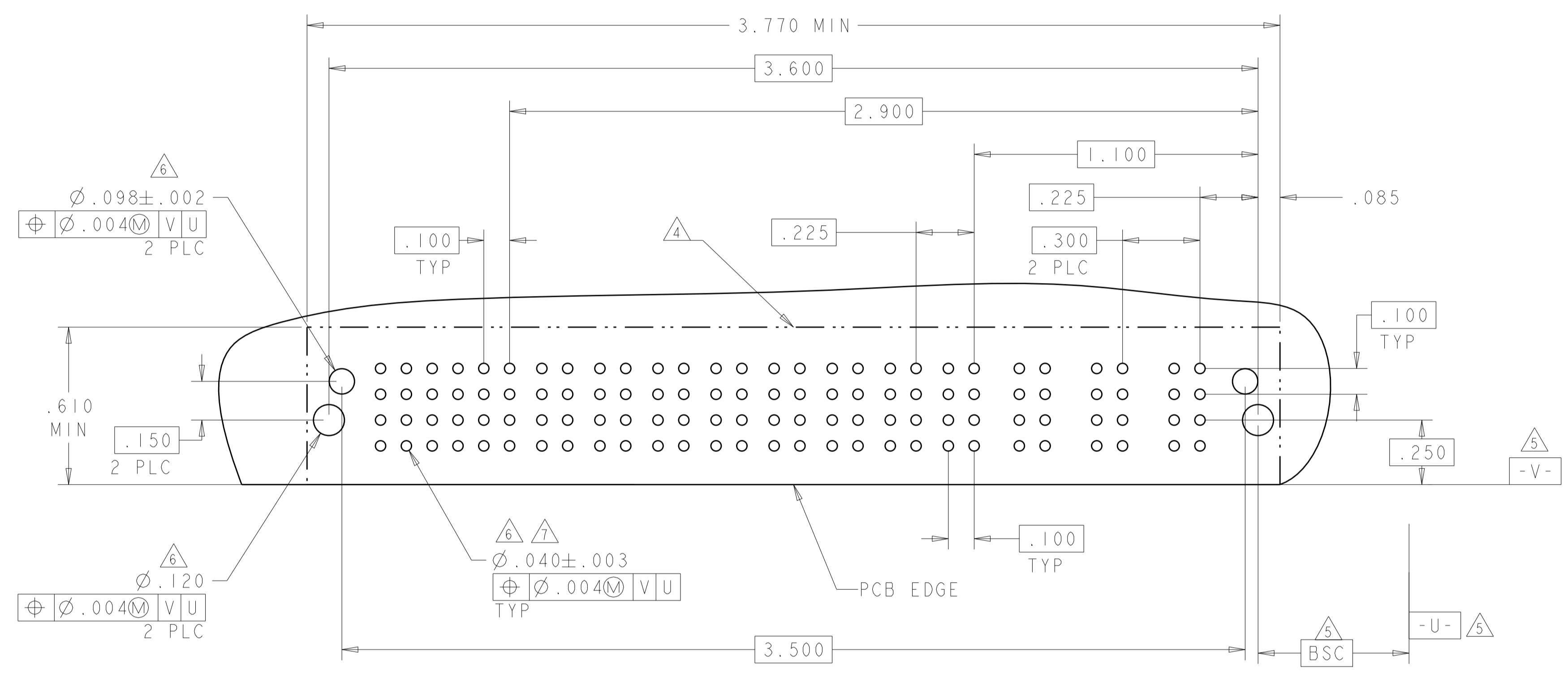
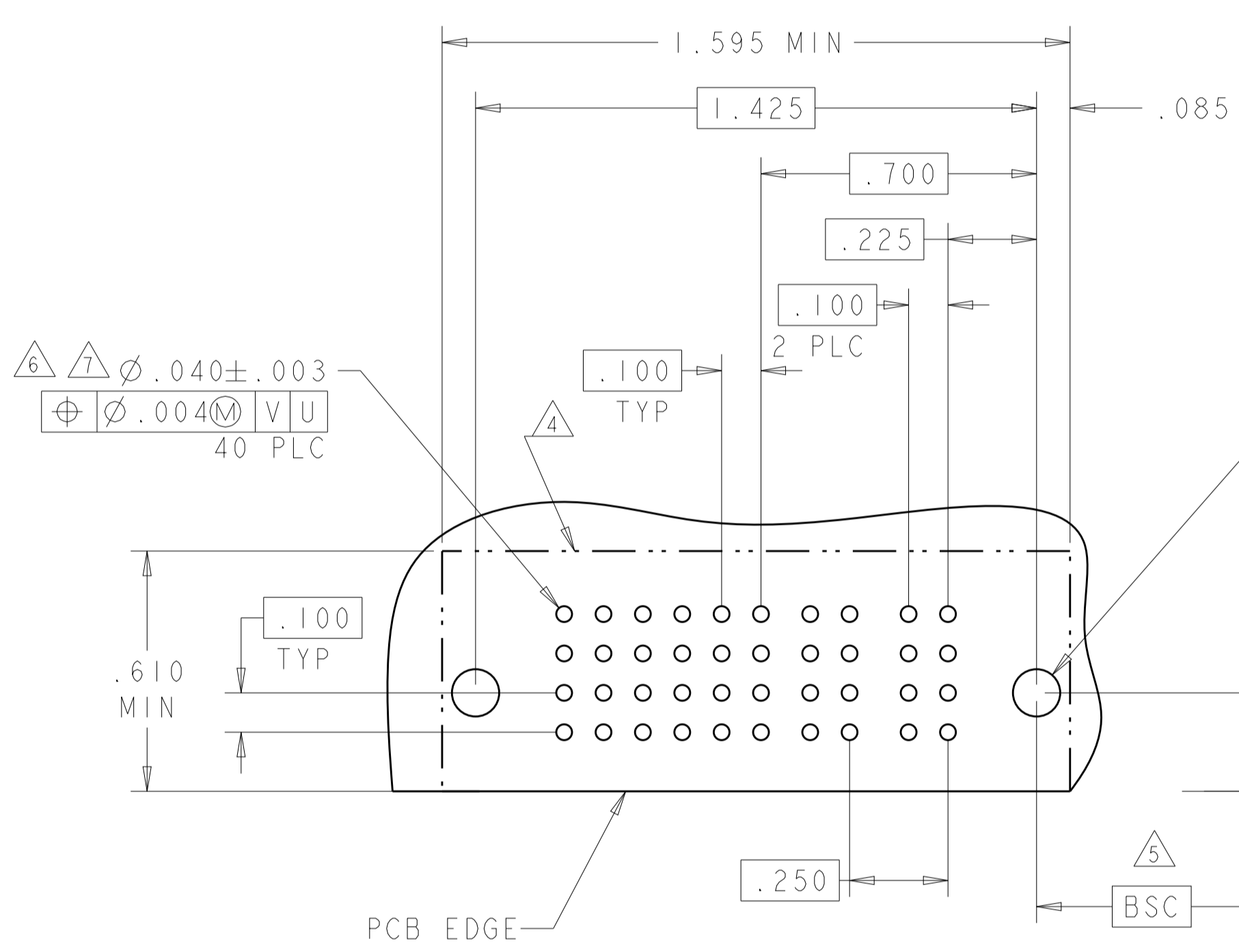
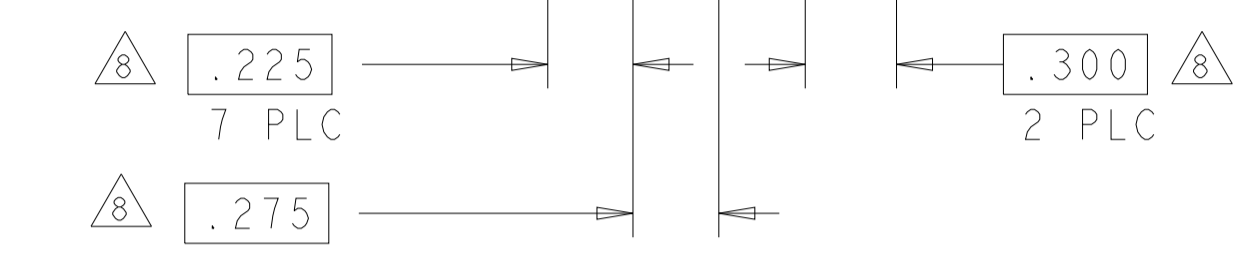
PART NUMBER	ROWS	SIGNAL						POWER	
		6	5	4	3	2	1	P2	P1
6450882-8	D	D	D	D	D	D	D	RP	RS
	C	C	C	C	C	C	C		
	B	B	B	B	B	B	B		
	A	A	A	A	A	A	A		

2P + 24S



PART NUMBER	ROWS	SIGNAL						POWER											
		6	5	4	3	2	1	P11	P10	P9	P8	P7	P6	P5	P4	P3	P2	P1	
6450882-1	D	D	D	D	D	D	D	RS	RS	RS	RS	RS	RS	RS	RS	RS	RP	RS	RS
	C	C	C	C	C	C	C												
	B	B	B	B	B	B	B												
	A	A	A	A	A	A	A												

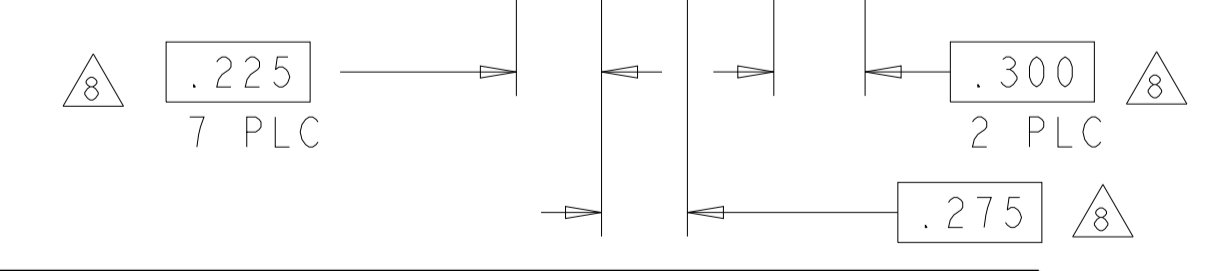
3ACP + 8P + 24S



PCB LAYOUT VIEW OF 6450882-1/2/3

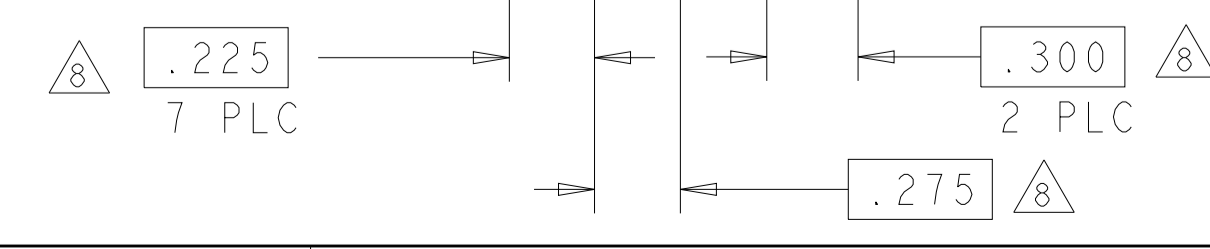
PART NUMBER	ROWS	SIGNAL						POWER										
		6	5	4	3	2	1	P11	P10	P9	P8	P7	P6	P5	P4	P3	P2	P1
6450882-2	D	D	D	D	D	D	D	RS	RS	RS	RS	RP	RS	RS	RS	RS	RS	RS
	C	C	C	C	C	C	C											
	B	B	B	B	B	B	B											
	A	A	A	A	A	A	A											

3ACP + 8P + 24S



PART NUMBER	ROWS	SIGNAL						POWER										
		6	5	4	3	2	1	P11	P10	P9	P8	P7	P6	P5	P4	P3	P2	P1
6450882-3	D	D	D	D	D	D	D	RS	RS	RS	RS	RS	RS	RP	RS	RS	RS	
	C	C	C	C	C	C	C											
	B	B	B	B	B	B	B											
	A	A	A	A	A	A	A											

3ACP + 8P + 24S



DESCRIPTION	IDENTIFIER
HOLD DOWN	HD
STD PRESS FIT SIGNAL CONTACT, .119 TAIL LENGTH, ROW D	D
STD PRESS FIT SIGNAL CONTACT, .119 TAIL LENGTH, ROW C	C
STD PRESS FIT SIGNAL CONTACT, .119 TAIL LENGTH, ROW B	B
STD PRESS FIT SIGNAL CONTACT, .119 TAIL LENGTH, ROW A	A
MFBL PRESS FIT POWER CONTACT, .119 TAIL LENGTH	RP
STD PRESS FIT POWER CONTACT, .119 TAIL LENGTH	RS

THIS DRAWING IS A CONTROLLED DOCUMENT.

ORLANDO LI 19NOV2009
SUNY ZHAO 19NOV2009

STE TE Connectivity

RIGHT ANGLE RECEPTACLE AND SHORT END MODULAR MULTI-BEAM XLE

108-2292 APPLICATION SPEC

114-13038 WEIGHT

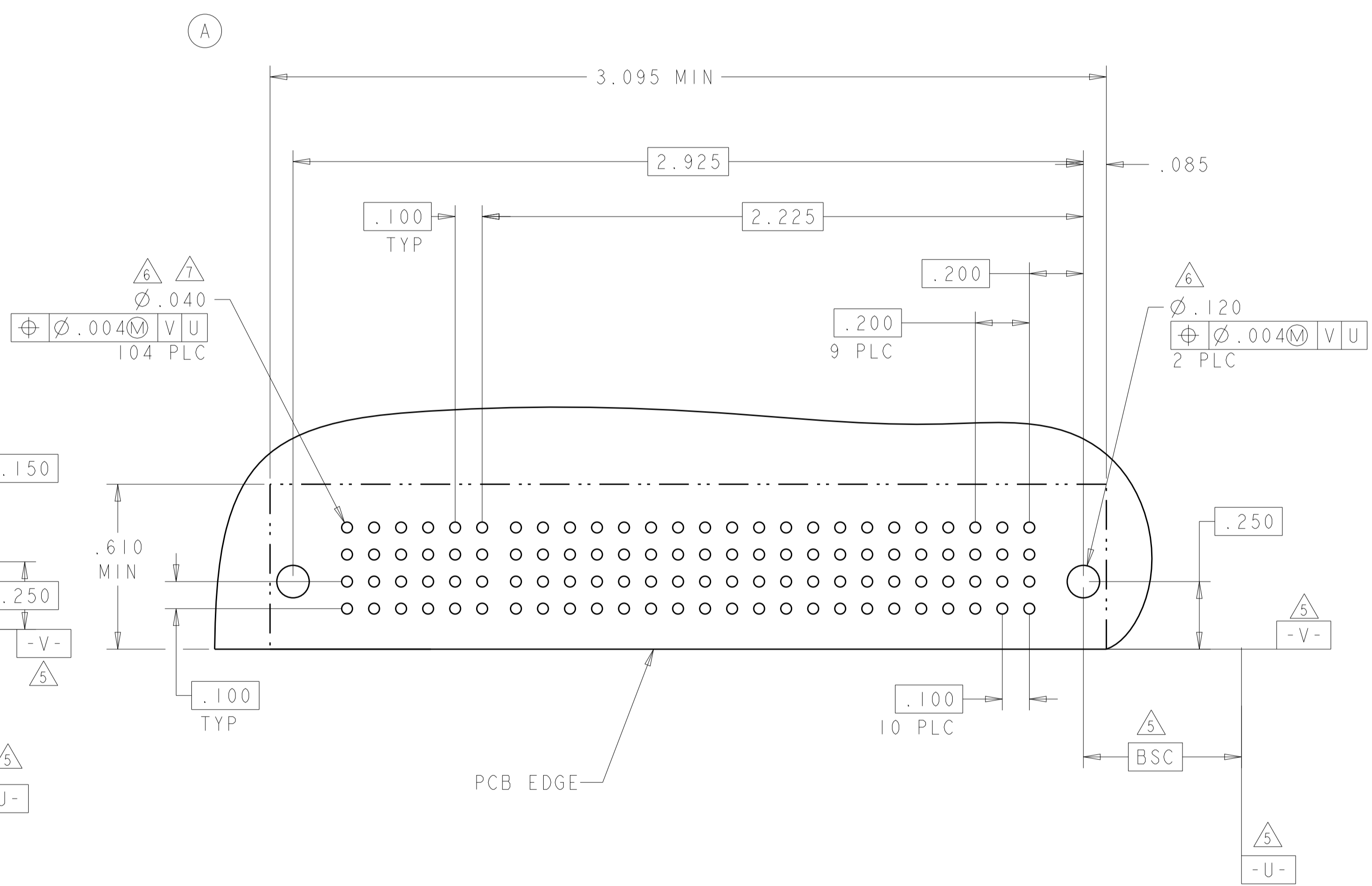
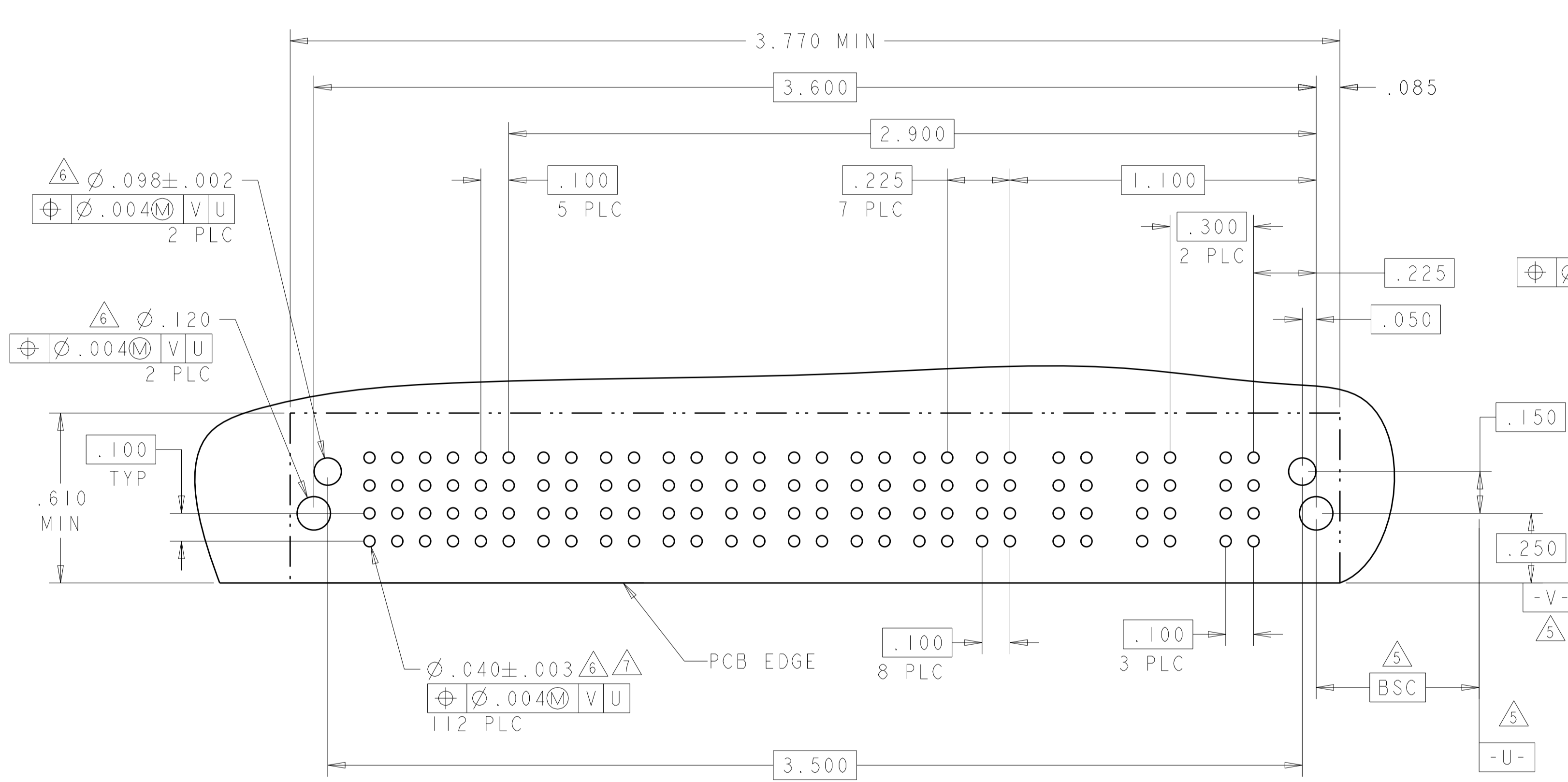
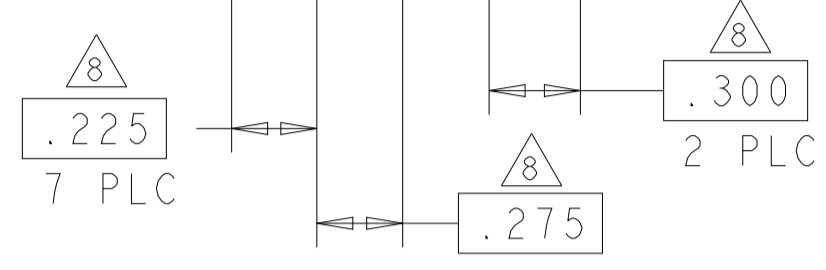
A100779C=6450882

CUSTOMER DRAWING SCALE 4:1 SHEET 2 OF 4 REV A6

LOC	DIST	REVISIONS			
ES	00	REV	DATE	BY	APPV
		1	SEE SHEET 1		

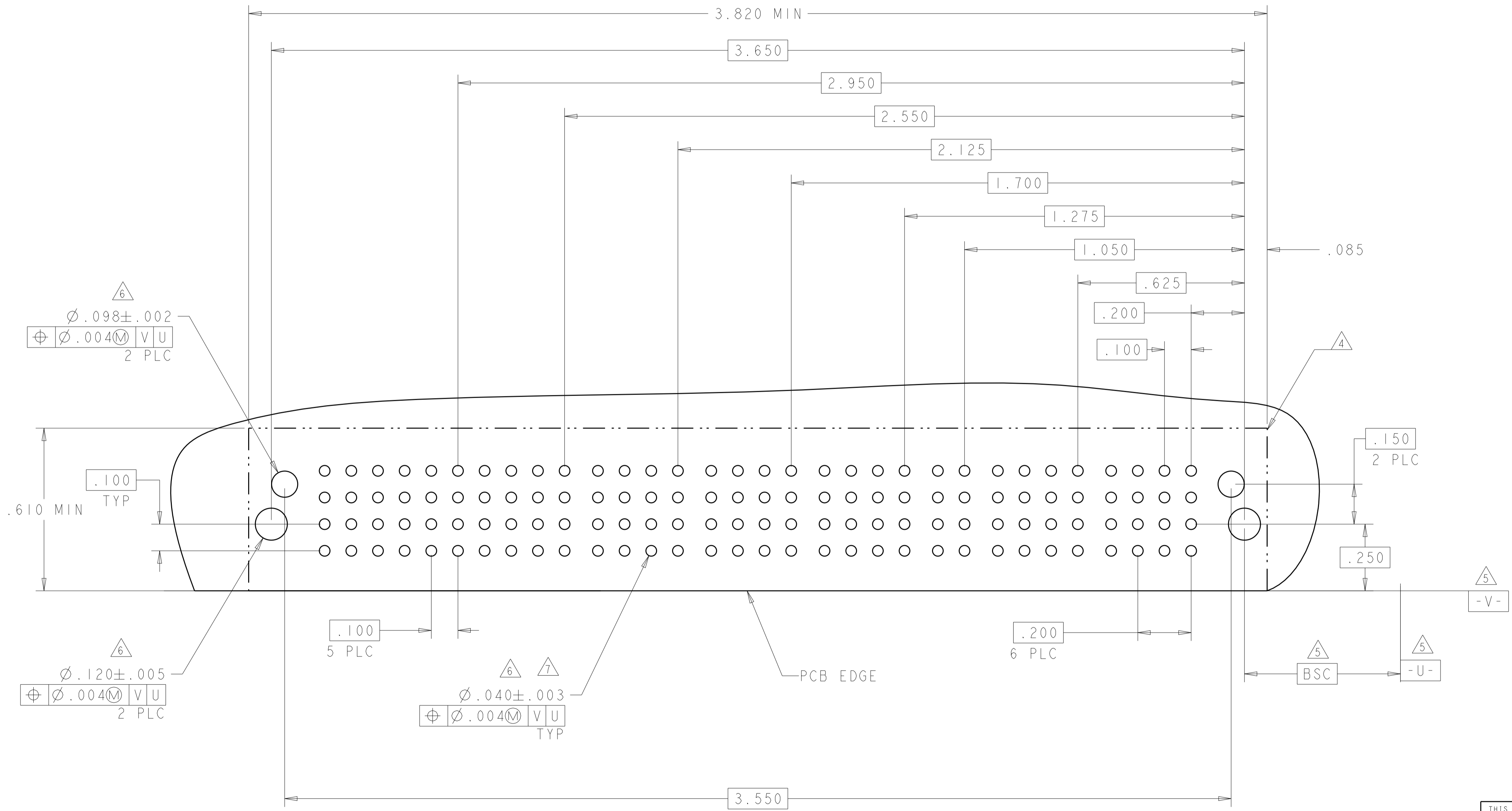
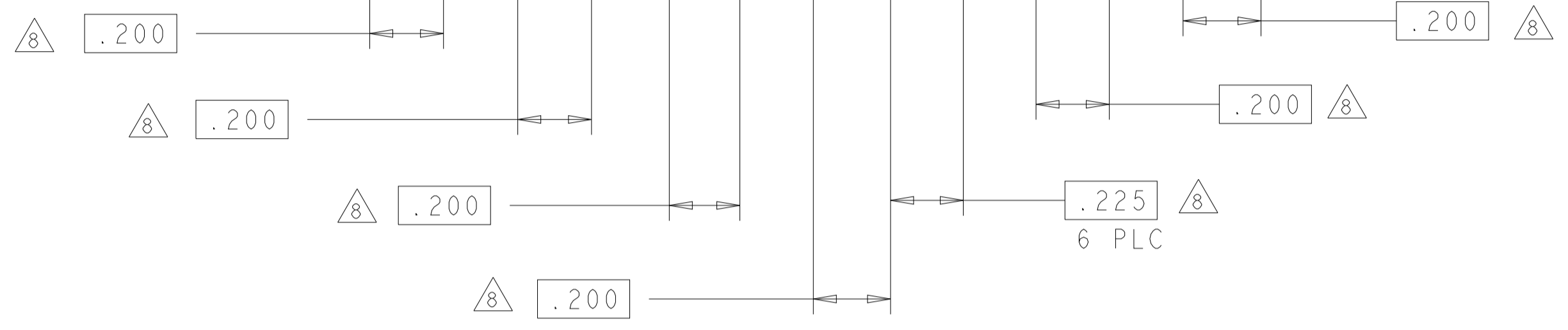
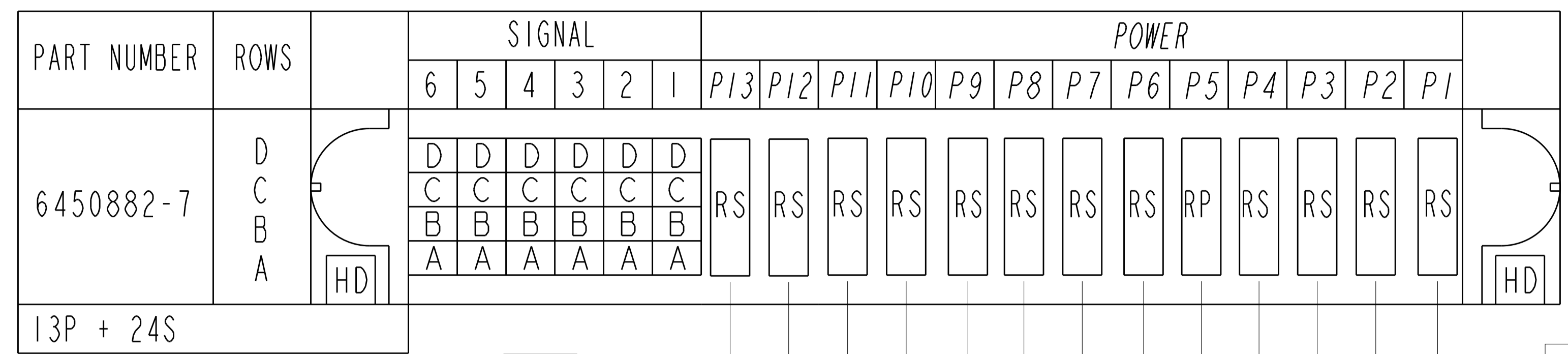
PART NUMBER	ROWS	SIGNAL						POWER													
		6	5	4	3	2	1	P11	P10	P9	P8	P7	P6	P5	P4	P3	P2	P1			
6450882-9	D	D	D	D	D	D	D	RS	RS	RS	RS	RS	RS	RS	RS	RS	RS	RS			
	C	C	C	C	C	C	C	RS	RS	RS	RS	RS	RS	RS	RS	RS	RS	RS			
	B	B	B	B	B	B	B	RS	RS	RS	RS	RS	RS	RS	RS	RS	RS	RS			
	A	A	A	A	A	A	A	RS	RS	RS	RS	RS	RS	RS	RS	RS	RS	RS			
3ACP + 8P + 24S		HD																		HD	

PART NUMBER	ROWS	SIGNAL						POWER													
		6	5	4	3	2	1	P10	P9	P8	P7	P6	P5	P4	P3	P2	P1				
6450882-4	D	D	D	D	D	D	D	RS	RS	RS	RS	RS	RS	RS	RS	RS	RS	RS			
	C	C	C	C	C	C	C	RS	RS	RS	RS	RS	RS	RS	RS	RS	RS	RS			
	B	B	B	B	B	B	B	RS	RS	RS	RS	RS	RS	RS	RS	RS	RS	RS			
	A	A	A	A	A	A	A	RS	RS	RS	RS	RS	RS	RS	RS	RS	RS	RS			
10HDP + 24S		HD																		HD	



THIS DRAWING IS A CONTROLLED DOCUMENT.		OWN: ORANDO L1 19NOV2009	 TE Connectivity
DIMENSIONS: INCHES		CHK: SUNY ZHAO 19NOV2009	
TOLERANCES UNLESS OTHERWISE SPECIFIED:		APV: STEVEN YAO	NAME: RIGHT ANGLE RECEPTACLE AND SHORT END MODULAR MULTI-BEAM XLE
0 PLC ±.01		PRODUCT SPEC: 108-2292	SIZE: A100779
1 PLC ±.01		APPLICATION SPEC: 114-13038	CAGE CODE: C=6450882
2 PLC ±.01		WEIGHT: -	RESTRICTED TO: -
3 PLC ±.005		CUSTOMER DRAWING	SCALE: 4:1
4 PLC ±.0020			SHEET: 3 OF 4
ANGLES: ±.7°			REV: A6

LOC	DIST	REVISIONS					
		P	LTN	DESCRIPTION	DATE	DWN	APVD
ES	00	-	-	SEE SHEET 1	-	-	-



Ø.098±.002
 ⊕ Ø.004 M V U
 2 PLC

.610 MIN
 .100 TYP

Ø.120±.005
 ⊕ Ø.004 M V U
 2 PLC

Ø.040±.003
 ⊕ Ø.004 M V U
 TYP

.100
 5 PLC

.200
 6 PLC

.150
 2 PLC

.250

BSC

-U-

THIS DRAWING IS A CONTROLLED DOCUMENT.		DWN: LORANDO L1 19NOV2009	TE Connectivity
DIMENSIONS: INCHES		CHK: SUNY ZHAO 19NOV2009	
TOLERANCES UNLESS OTHERWISE SPECIFIED:		APVD: STEVEN YAO	NAME: RIGHT ANGLE RECEPTACLE AND SHORT END MODULAR MULTI-BEAM XLE
0 PLC ±.0	1 PLC ±.01	PRODUCT SPEC	SIZE: 108-2292
2 PLC ±.01	3 PLC ±.005	APPLICATION SPEC	RESTRICTED TO: A100779C=6450882
4 PLC ±.0020	ANGLES ±.2°	114-13038	SCALE: 4:1 SHEET 4 OF 4 REV: A6
MATERIAL: -	FINISH: -	WEIGHT: -	CUSTOMER DRAWING