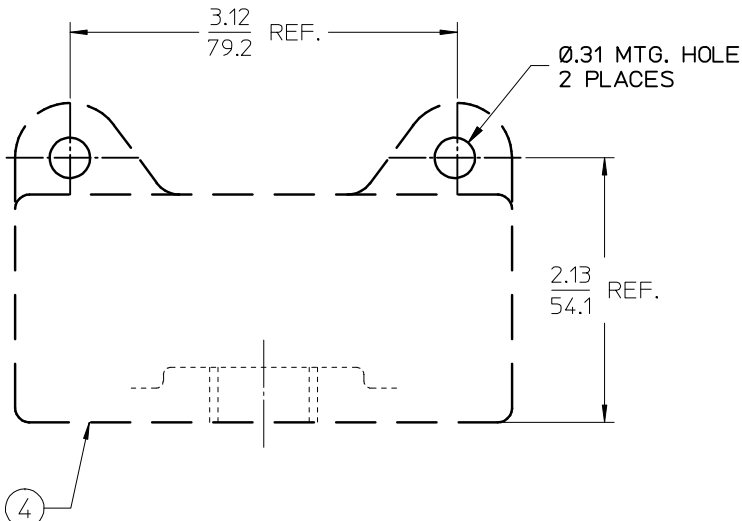
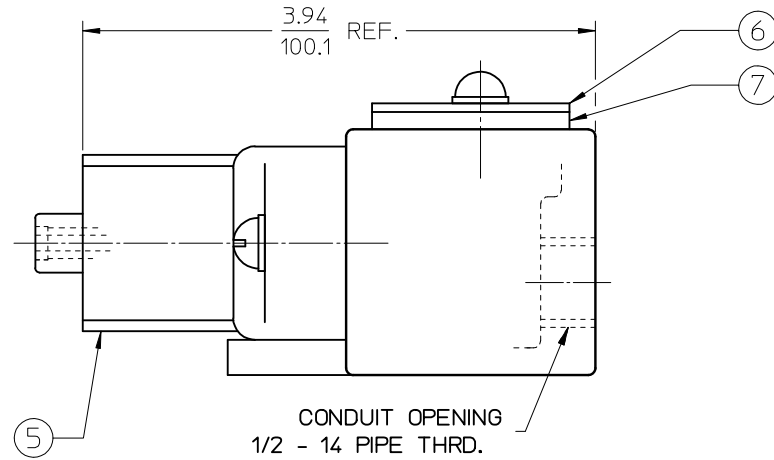
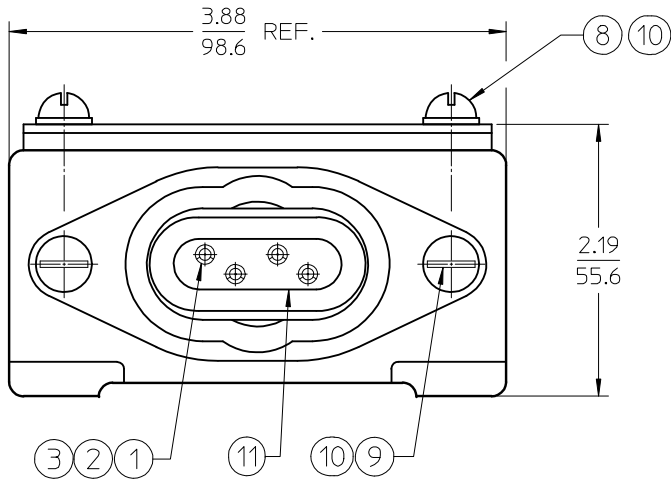


MATERIAL NO.	ENGINEERING NO.	ELECTRICAL RATING
1300190023	43305	VOLTAGE: 600VAC, CURRENT: 25 AMPS



ITEM	QTY.	DESCRIPTION	MATERIAL	FINISH
11	A/R	OVERMOLD	PVC	ORANGE
10	4	LOCKWASHER	STEEL	ZINC PLATED
9	2	SCREW, 1/4-20 X 1.00"-ROUND HEAD	STEEL	ZINC PLATED
8	2	SCREW, 1/4-20 X 3/8"-ROUND HEAD	STEEL	ZINC PLATED
7	1	GASKET	NEOPRENE	
6	1	PLATE	ALUMINUM	
5	1	MOUNTING SHELL	ALUMINUM	
4	1	MOUNTING BASE	ALUMINUM	
3	4	6-32 SCREW	BRASS	
2	4	FLAT WASHER	FIBRE	
1	4	SOCKET ASSEMBLY	BRASS	

NEW SALES DOC EC NO: IFC2013-0880 DRAWN BY: DRWHRSTONE 2013/01/21 CHECKED BY: JOZWIK 2013/01/25 APPR: JFMURPHY 2013/03/01	QUALITY SYMBOLS	GENERAL TOLERANCES (UNLESS SPECIFIED)	DIMENSION STYLE	SCALE	DESIGN UNITS	THIRD ANGLE PROJECTION
	▼=0 ▽=0	mm INCH 4 PLACES ± --- ± --- 3 PLACES ± --- ± --- 2 PLACES ± --- ± .02 1 PLACE ± 0.5 ± --- 0 PLACE ± --- ± ---	IN/MM	1:1	INCH	TITLE: DIE BLOCK-CAST RECEPT. FEMALE STATIONARY CONN. 4 POLE ORANGE DOCUMENT NO. SD-130019-005 SHEET NO. 1 OF 1
	ANGULAR ± 2° DRAFT WHERE APPLICABLE MUST REMAIN WITHIN DIMENSIONS	DRAWN BY: RSTONE 2013/01/21 CHECKED BY: K. JOZWIK 2013/01/25 APPROVED BY: JFMURPHY 2013/03/01	MATERIAL NO. SEE CHART SIZE B	THIS DRAWING CONTAINS INFORMATION THAT IS PROPRIETARY TO MOLEX INCORPORATED AND SHOULD NOT BE USED WITHOUT WRITTEN PERMISSION		
	REV A					