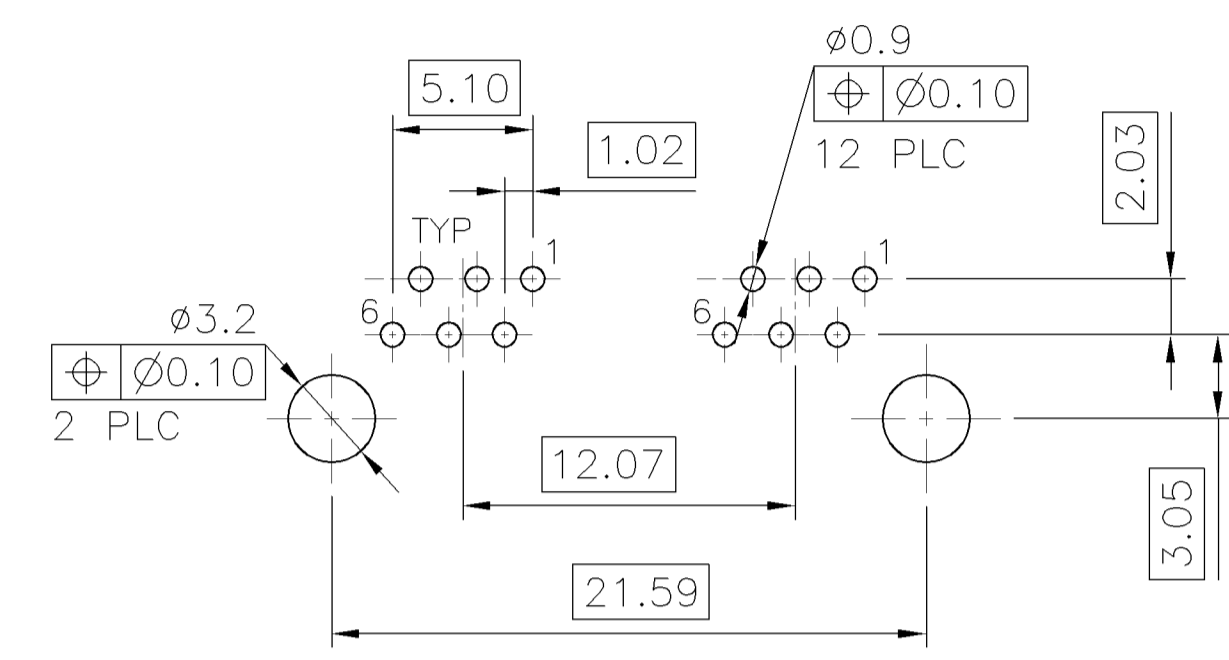
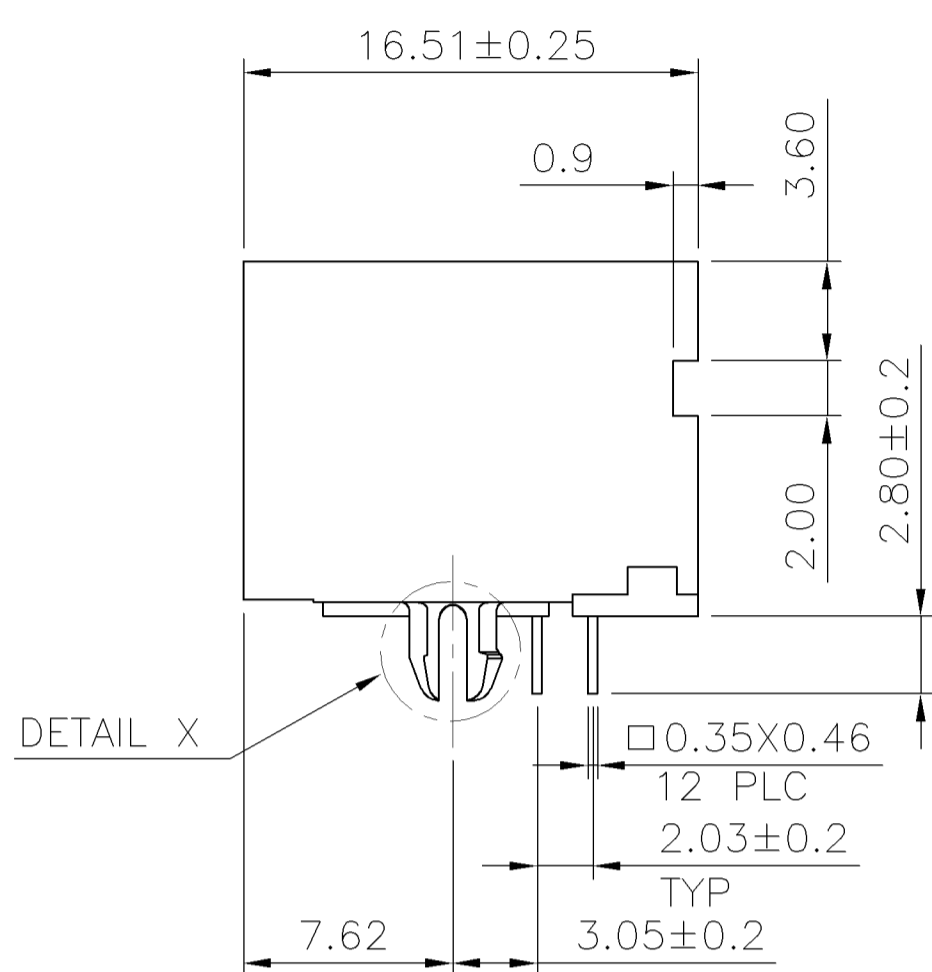
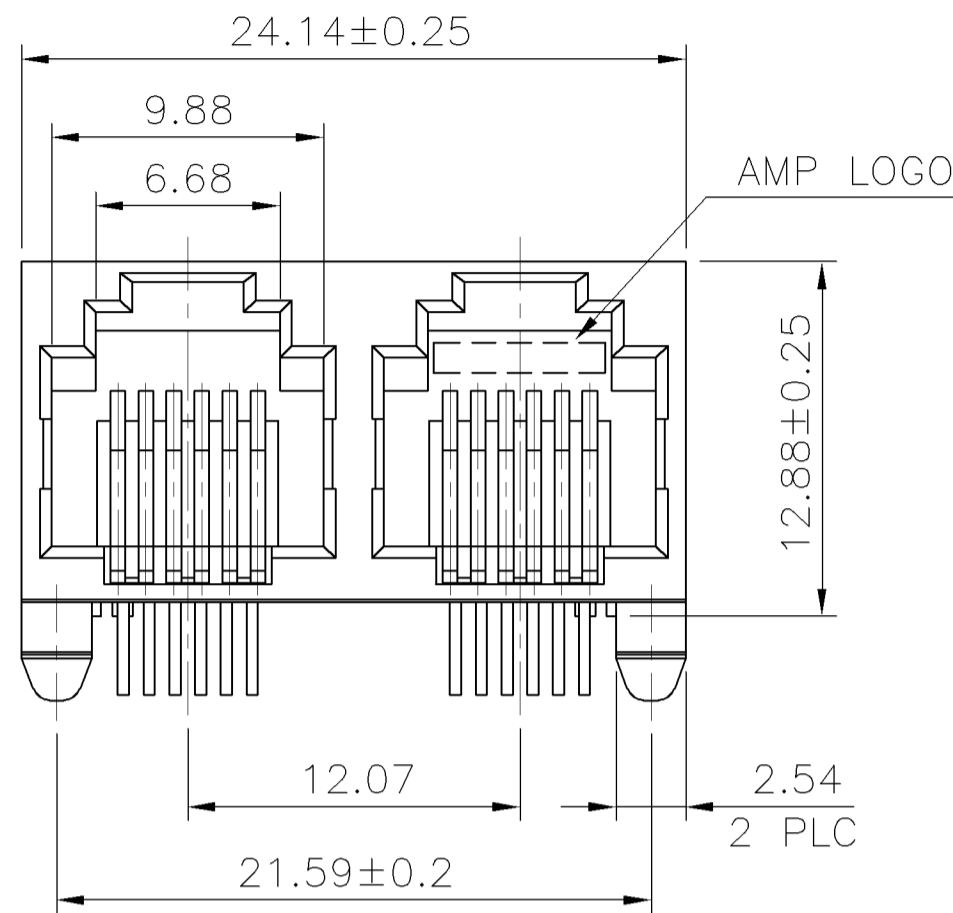
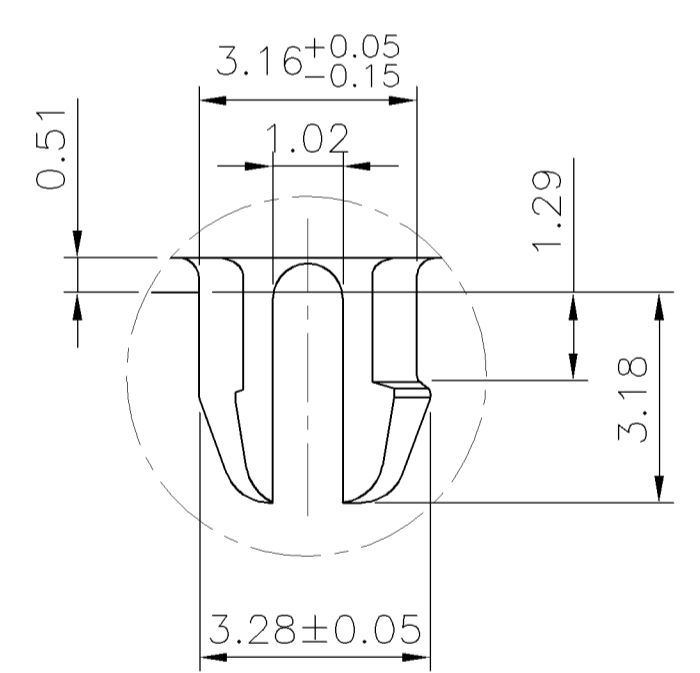
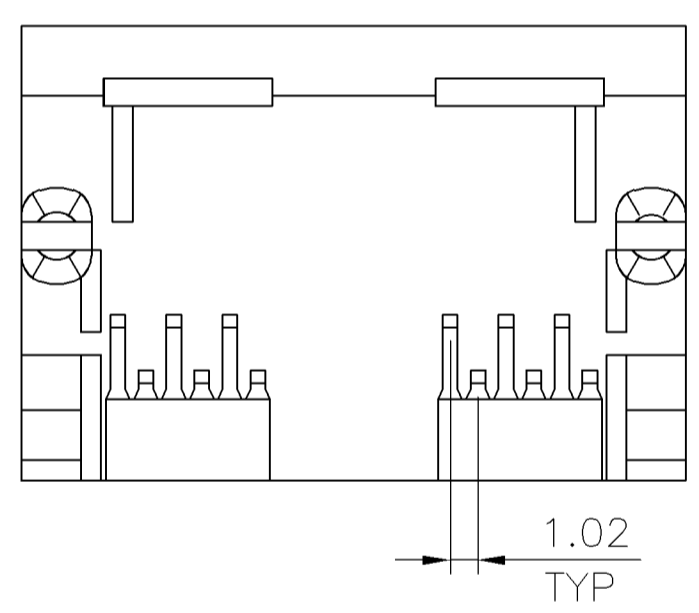


THIS DRAWING IS UNPUBLISHED. RELEASED FOR PUBLICATION  
 © COPYRIGHT BY TYCO ELECTRONICS CORPORATION. ALL RIGHTS RESERVED.

LOC	DIST	REVISIONS					
DW	—	P	LTR	DESCRIPTION	DATE	DWN	APVD
			A	RELEASED	04MAY07	OH	WK



RECOMMENDED PCB LAYOUT (THICKNESS: 1.2mm)  
 DIMENSION TOLERANCE: (1 PLC: ±0.1 2PLC: ±0.05)



DETAIL X

NOTE:

- MATERIAL:  
HOUSING: PA46 WITH 30% GF, UL 94V-0, BLACK COLOR.  
CONTACTS: PHOSPHOR BRONZE.
- FINISH:  
CONTACTS: SELECTIVE GOLD PLATED (SEE TABLE) ON CONTACT AREA, GOLD FLASH ON SOLDER TAIL, WITH ENTIRE CONTACT UNDERPLATED 1.27µm [50µ"] MIN. NICKEL.
- WAVE SOLDER CAPABLE TO 265°C PER TYCO TEST SPEC. 109-202, CONDITION B.

HOUSING COLOR	NO. OF CONTACTS	MIN. GOLD THICKNESS	PART NUMBER	HOUSING COLOR	NO. OF CONTACTS	MIN. GOLD THICKNESS	PART NUMBER
GREEN	6	1.37µm [50µ"]	3-1734479-4	BLACK	6	1.37µm [50µ"]	1-1734479-4
	6	0.762µm [30µ"]	3-1734479-3		6	0.762µm [30µ"]	1-1734479-3
	6	0.381µm [15µ"]	3-1734479-2		6	0.381µm [15µ"]	1-1734479-2
	6	0.152µm [6µ"]	3-1734479-1		6	0.152µm [6µ"]	1-1734479-1
	4	1.37µm [50µ"]	2-1734479-4		4	1.37µm [50µ"]	1734479-4
	4	0.762µm [30µ"]	2-1734479-3		4	0.762µm [30µ"]	1734479-3
	4	0.381µm [15µ"]	2-1734479-2		4	0.381µm [15µ"]	1734479-2
	4	0.152µm [6µ"]	2-1734479-1		4	0.152µm [6µ"]	1734479-1

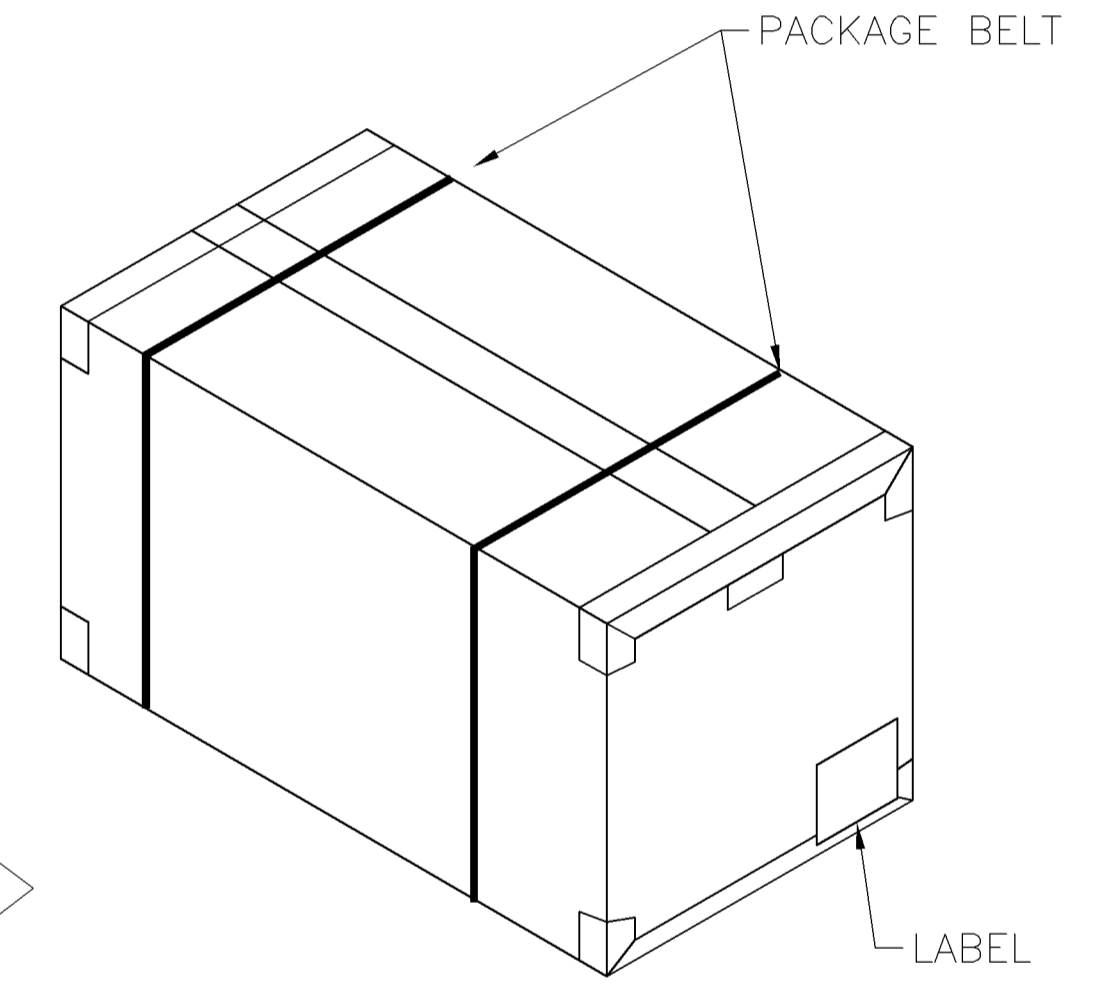
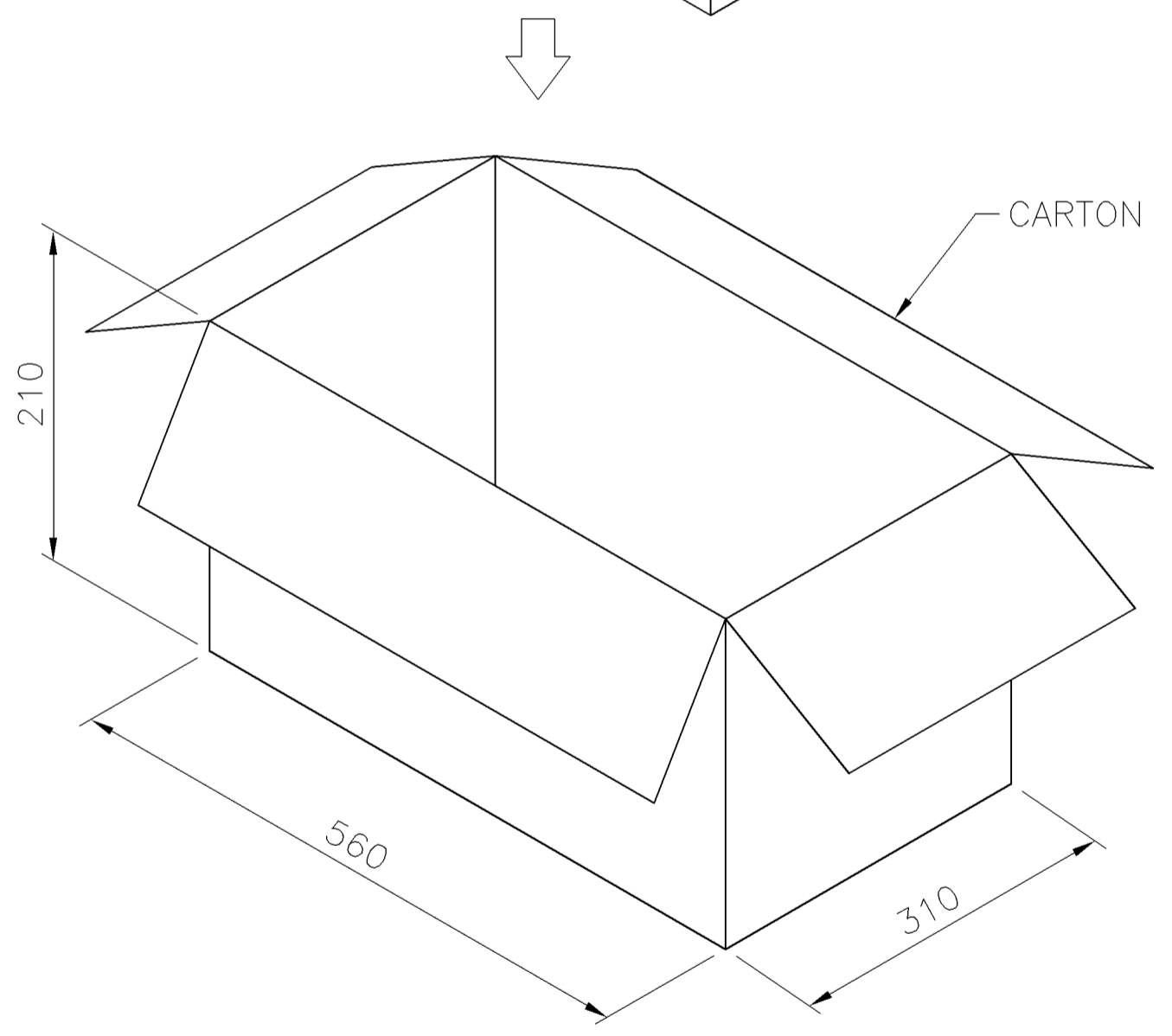
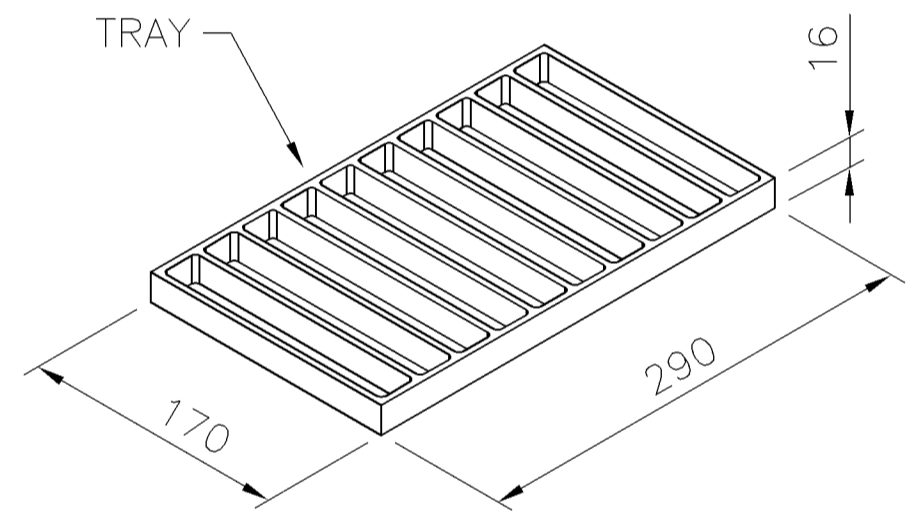
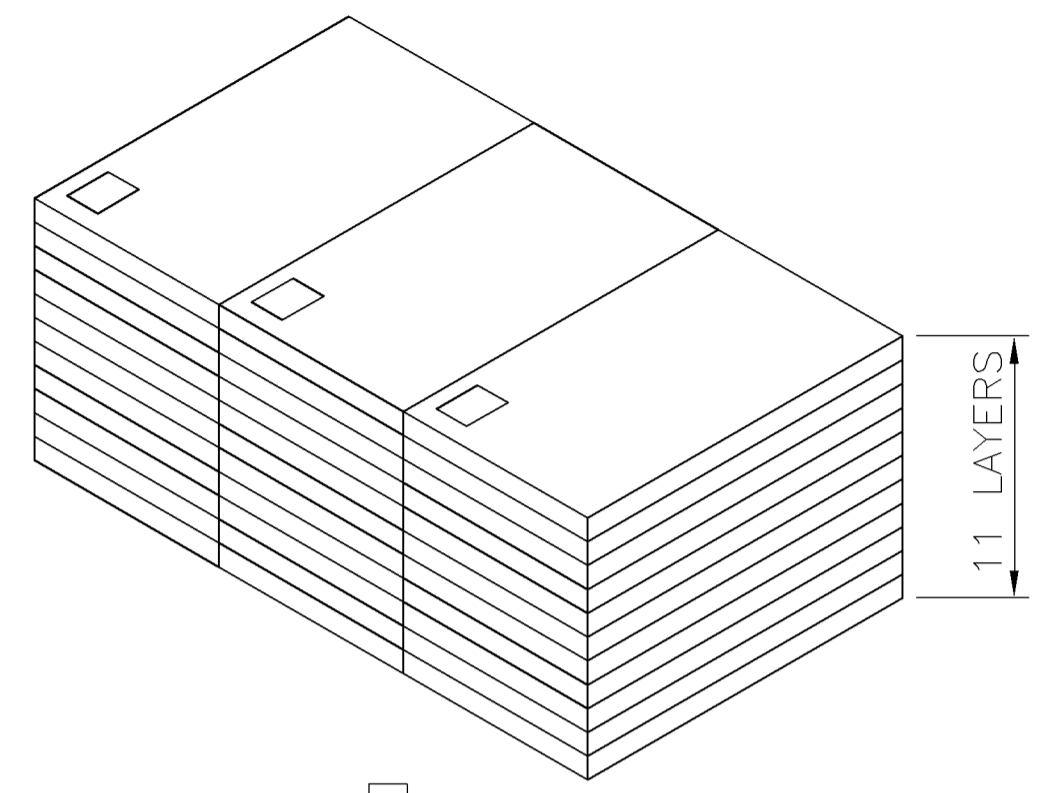
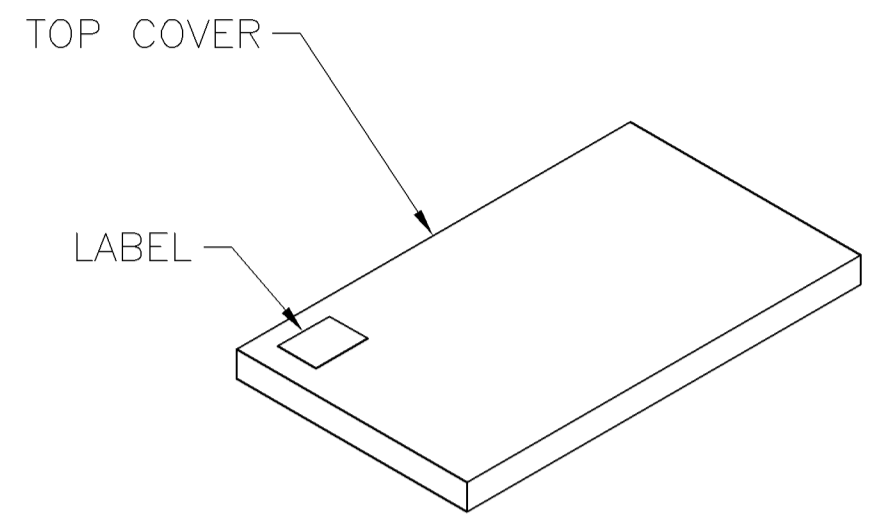
THIS DRAWING IS A CONTROLLED DOCUMENT.

DWN O. HU	03MAY2007	Tyco Electronics Corporation Taipei, Taiwan				
CHK S. HOU	03MAY2007					
APVD W.J. KE	03MAY2007					
PRODUCT SPEC						
108-57535		MODULAR JACK RJ11, DOUBLE-PORT, SIDE ENTRY, THROUGH-HOLE, LOW PROFILE				
501-57733						
QUALIFICATION TEST REPORT		SIZE	CAGE CODE	DRAWING NO	RESTRICTED TO	
MATERIAL SEE NOTE		501-57733		A300779	C=1734479	
FINISH SEE NOTE		WEIGHT 3.5 GRAMS		SCALE -	SHEET 1 OF 2	REV A

CUSTOMER DRAWING

THIS DRAWING IS UNPUBLISHED. RELEASED FOR PUBLICATION  
 © COPYRIGHT BY TYCO ELECTRONICS CORPORATION. ALL RIGHTS RESERVED.

LOC	DIST	REVISIONS					
DW	—	P	LTR	DESCRIPTION	DATE	DWN	APVD
				SEE SHEET 1.			



9 Kg	7 Kg	60	33	1980 PCS
GROSS WEIGHT	NET WEIGHT	PCS/TRAY	TRAYS /CARTON	QUANTITY

THIS DRAWING IS A CONTROLLED DOCUMENT.		DWN	O. HU	03MAY2007	Tyco Electronics Corporation Taipei, Taiwan
DIMENSIONS: MM		CHK	S. HOU	03MAY2007	
		APVD	W.J. KE	03MAY2007	
TOLERANCES UNLESS OTHERWISE SPECIFIED:		PRODUCT SPEC		NAME	
0 PLC ± - 1 PLC ± - 2 PLC ± - 3 PLC ± - 4 PLC ± - ANGLES ± -		APPLICATION SPEC		MODULAR JACK RJ11,DOUBLE-PORT, SIDE ENTRY, THROUGH-HOLE, LOW PROFILE	
MATERIAL		WEIGHT		—	RESTRICTED TO
FINISH		CUSTOMER DRAWING		SCALE	—
		SIZE		A3	
		CAGE CODE		00779	
		DRAWING NO		C=1734479	
		SHEET		2 OF 2	REV A