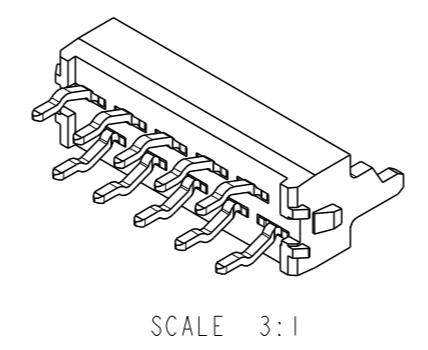
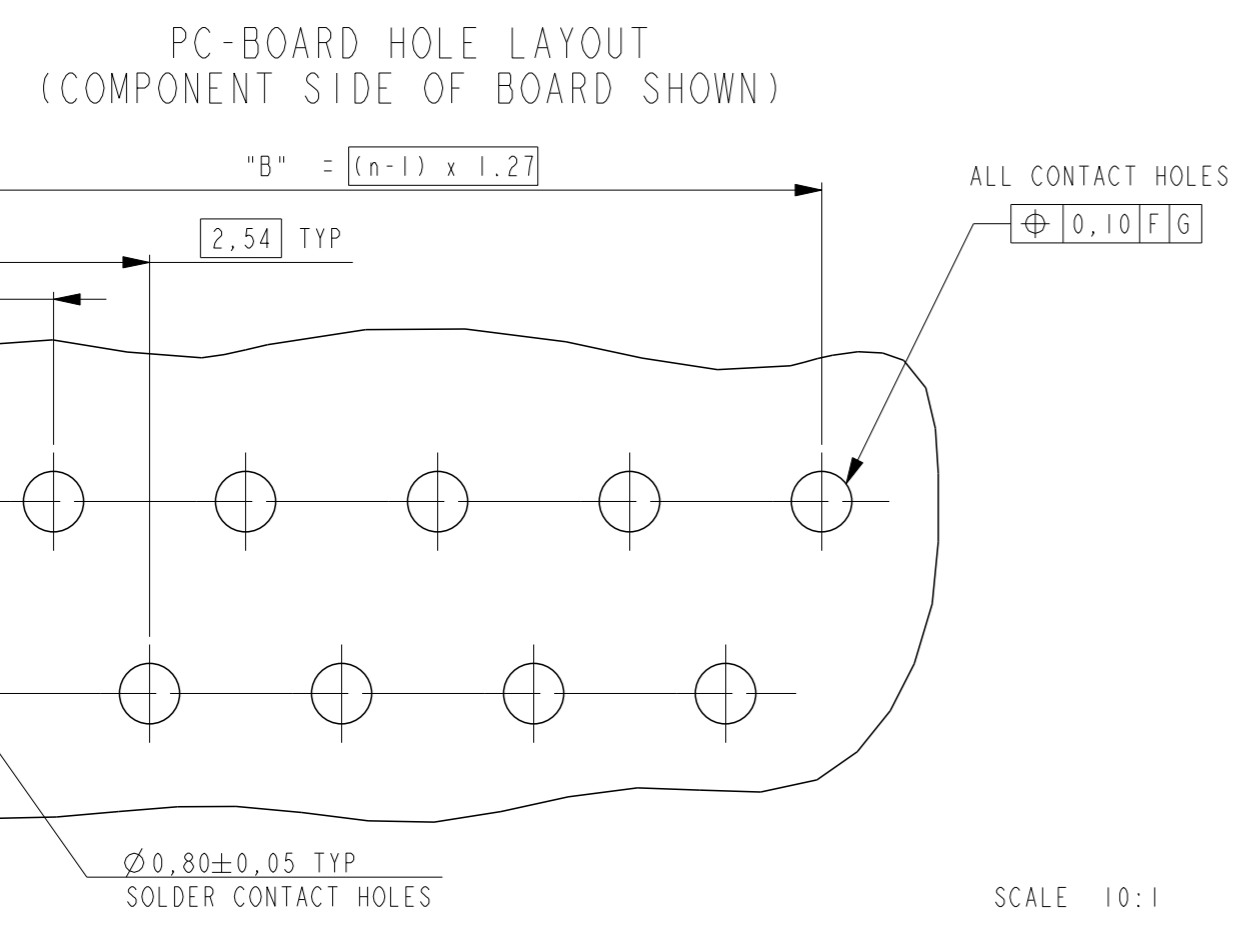
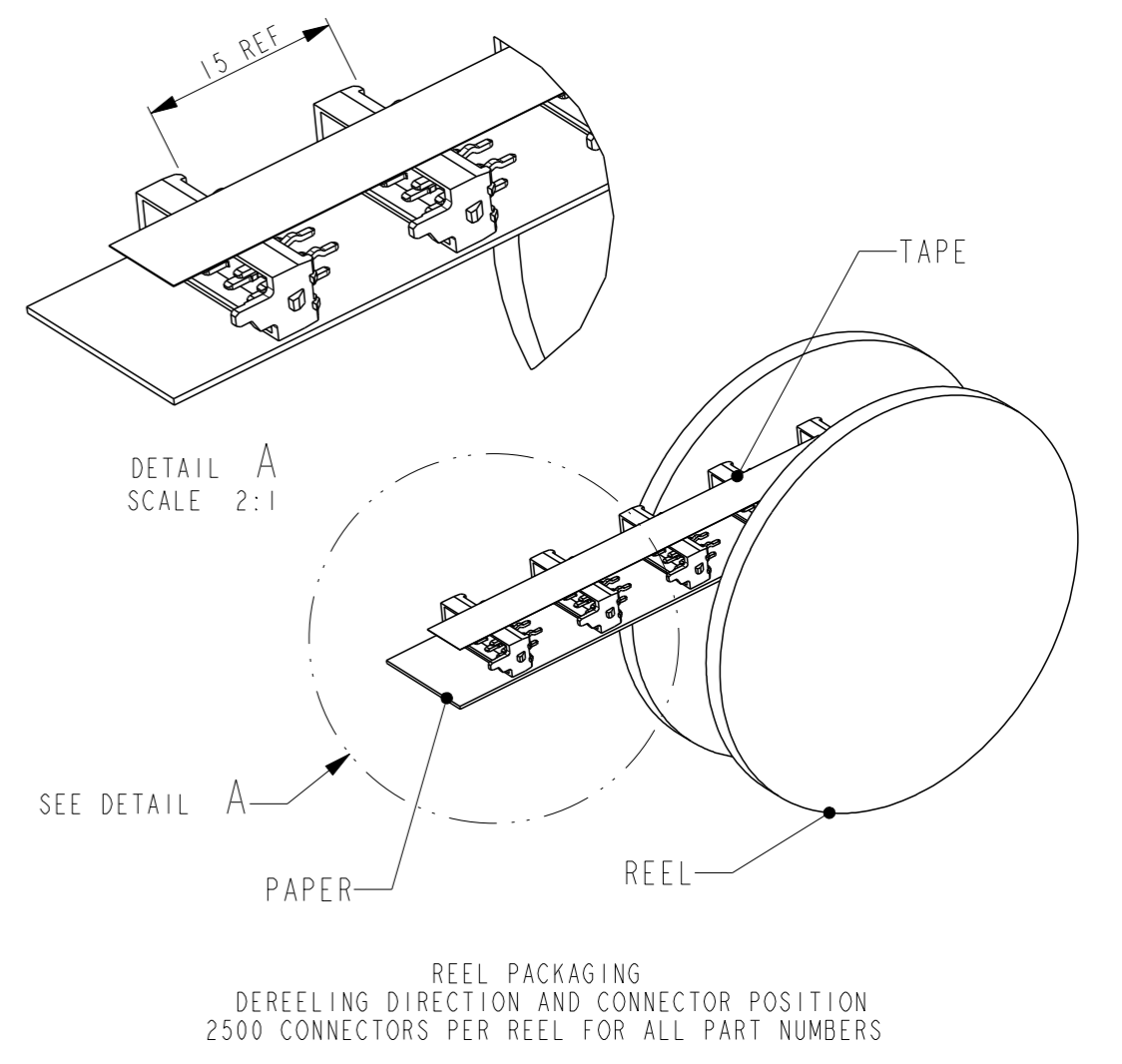
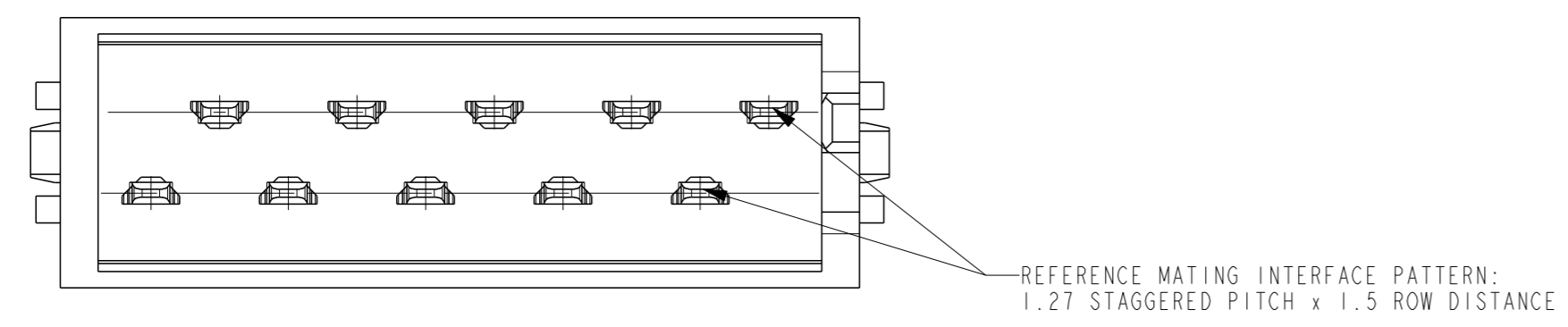
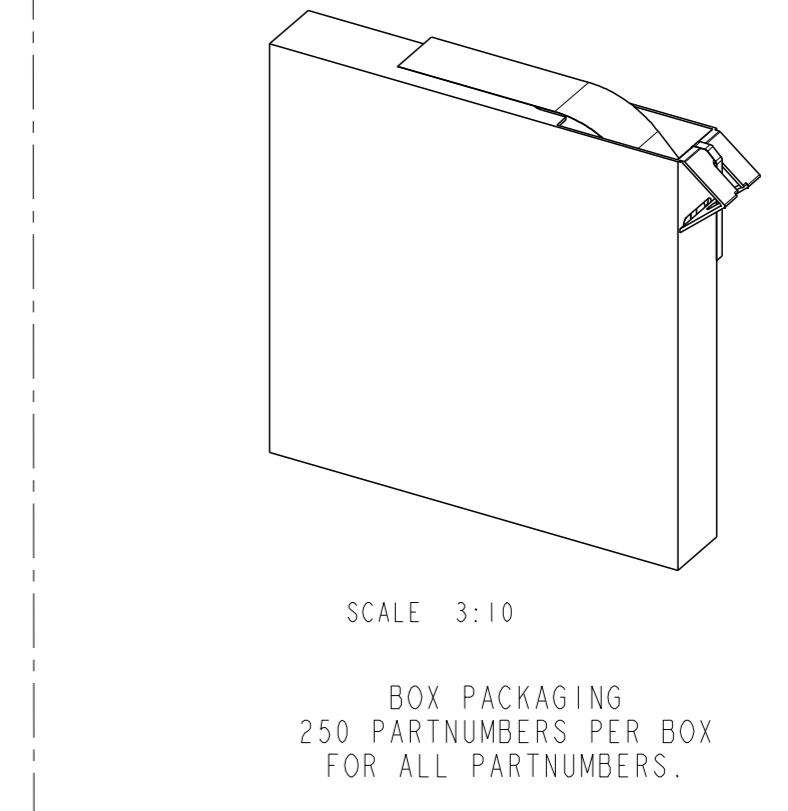
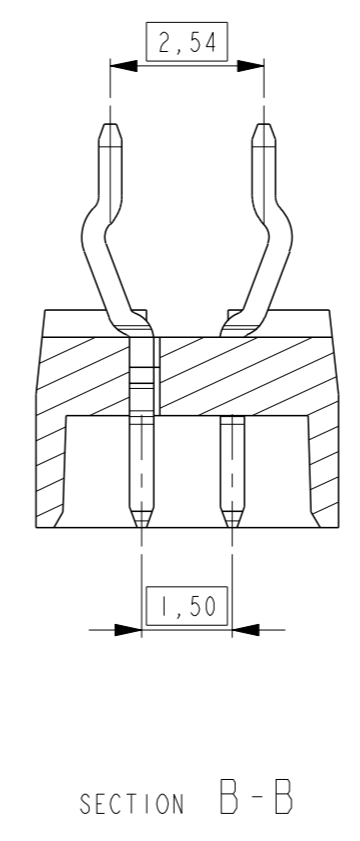
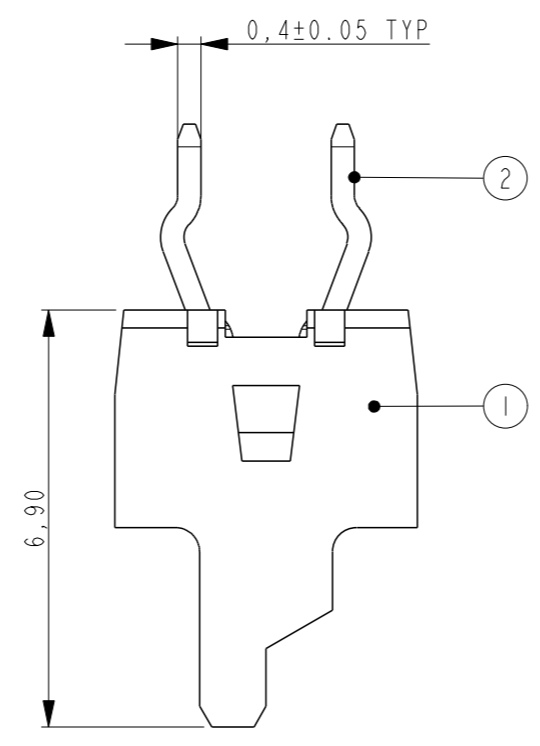
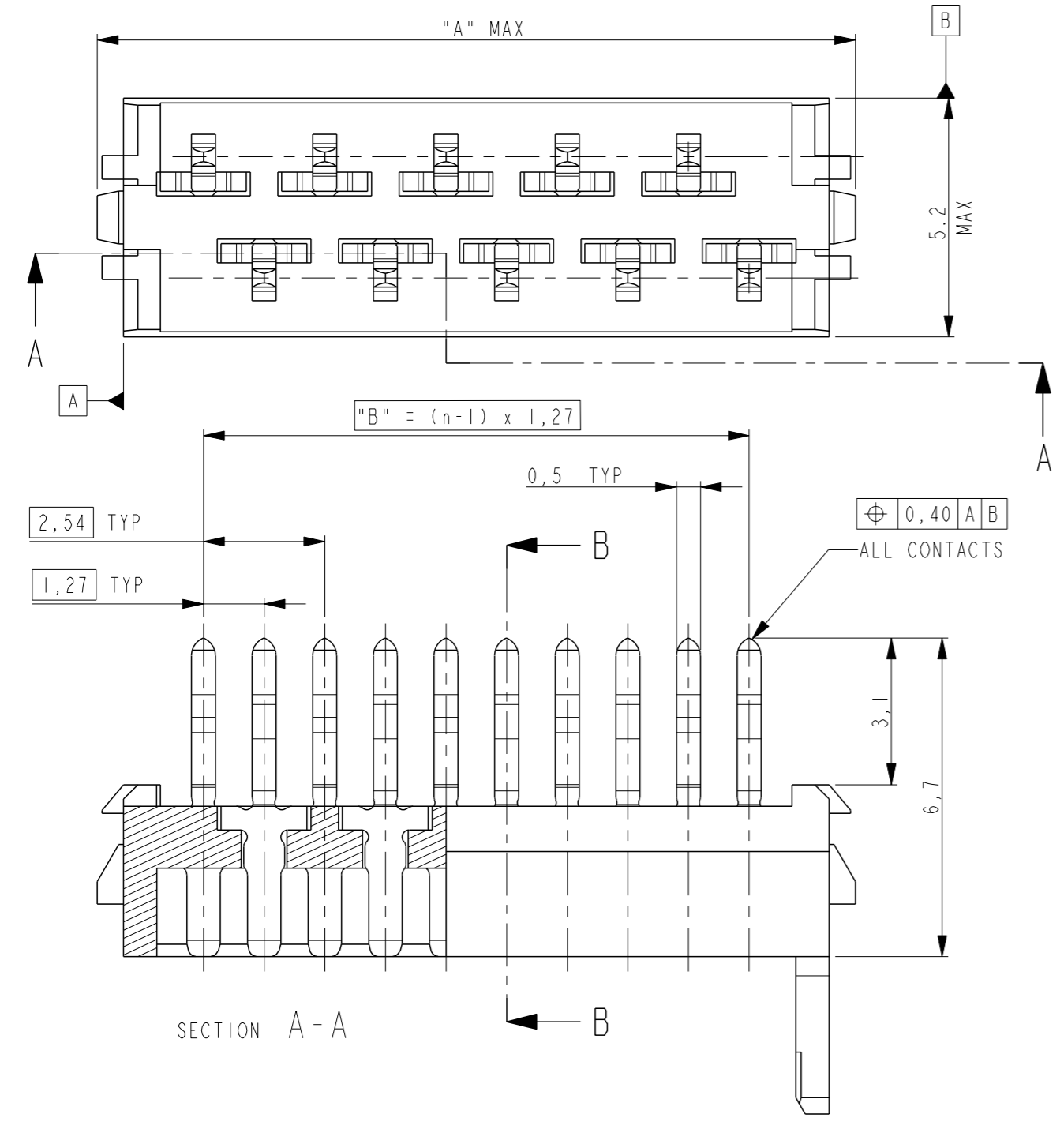


LOC		DIST		REVISIONS			
P	LTR	DESCRIPTION	DATE	DWN	APVD		
H	-	M2	DIMENSION AND TOLERANCE ADDITION/CORRECTION	2-8-11	SP	RP	

PART NUMBER REEL PACKAGING	PART NUMBER BOX PACKAGING	NUMBER OF POSITIONS	"A" MAX	"B"
0-215464-4	7-215464-4	4	8.3	3.81
0-215464-6	7-215464-6	6	10.9	6.35
0-215464-8	7-215464-8	8	13.4	8.89
1-215464-0	8-215464-0	10	15.9	11.43
1-215464-2	8-215464-2	12	18.5	13.97
1-215464-4	8-215464-4	14	21.0	16.51
1-215464-6	8-215464-6	16	24.0	19.05
1-215464-8	8-215464-8	18	26.1	21.59
2-215464-0	9-215464-0	20	28.6	24.13



SHOWN IS A 10 POSITION CONNECTOR (1-215464-0).

THIS DRAWING IS A CONTROLLED DOCUMENT.		DWN 15-04-1992		TE Connectivity	
DIMENSIONS: mm		TOLERANCES UNLESS OTHERWISE SPECIFIED:		NAME	
		0 PLC ± 1 PLC ±0.1 2 PLC ±0.20 3 PLC ± 4 PLC ± ANGLES ± FINISH ±		J. VAN DREUMEL H. KOKKEN	
MATERIAL SEE TABLE		SEE TABLE		PRODUCT SPEC 108-19052 APPLICATION SPEC	
WEIGHT -		SIZE A2	CAGE CODE 00779	DRAWING NO C=215464	RESTRICTED TO -
CUSTOMER DRAWING		SCALE 8:1		SHEET 1 OF 1	REV M2