

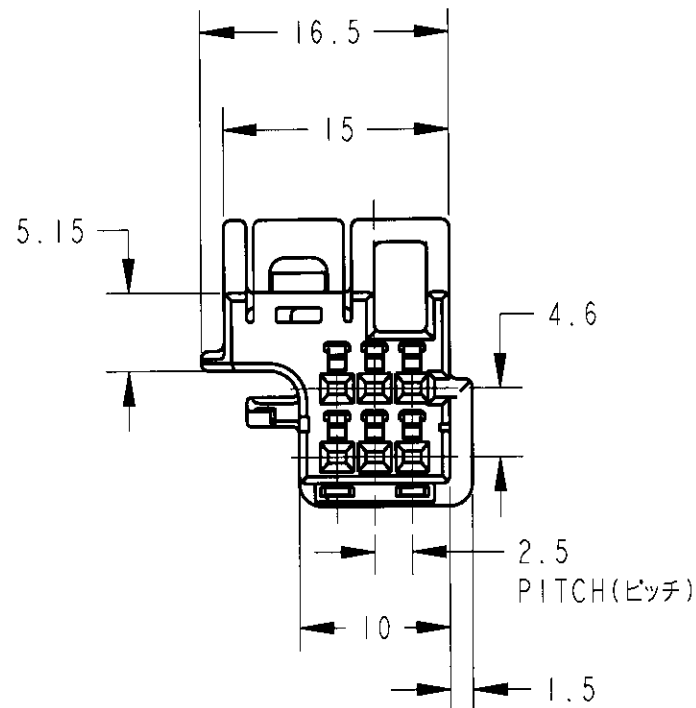
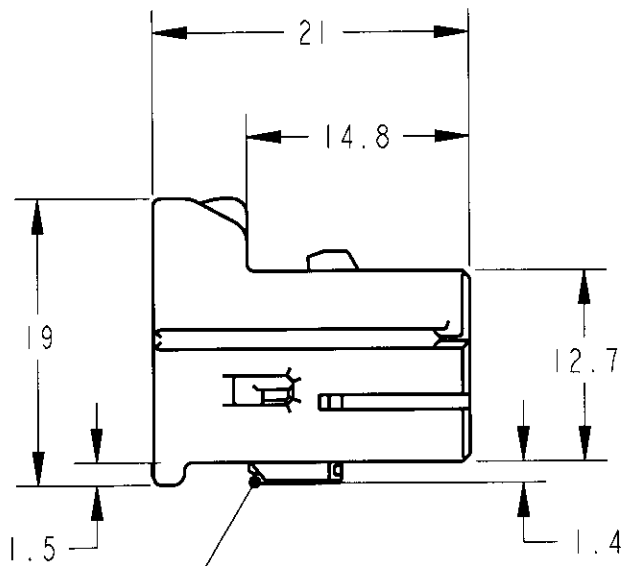
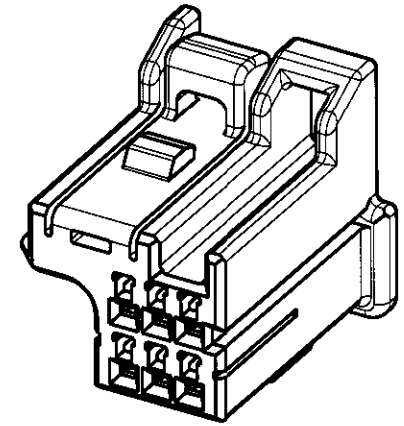
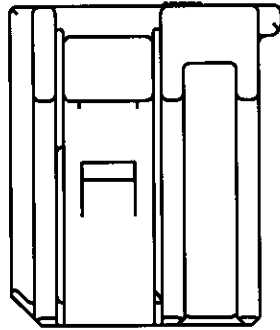
THIS DRAWING IS UNPUBLISHED.

RELEASED FOR PUBLICATION

© COPYRIGHT 19

BY AMP INCORPORATED. ALL RIGHTS RESERVED.

LOC	DIST	REVISIONS 変更						
		P	LTR	DESCRIPTION	ECN	DATE	DWN	APVD
J	-		0	RELEASED	FJ00-0056-00	13JAN00	ES	MT



DOUBLE LOCK PLATE  
ダブルロックプレート  
(NATURAL)

1. INSTRUCTION SHEET : 411-5930

1. 取扱説明書 : 411-5930

316836 316837(Au)	YELLOW 黄色	1318825-7
APPLICABLE CONTACT PART NUMBER 適用端子型番	COLOR 色	PART NUMBER 型番

THIS DRAWING IS A CONTROLLED DOCUMENT FOR AMP INCORPORATED. IT IS SUBJECT TO CHANGE AND THE CONTROLLING ENGINEERING ORGANIZATION SHOULD BE CONTACTED FOR THE LATEST REVISION.		DWN E. SASAKI 13JAN00	AMP (JAPAN), LTD. Kawasaki, Japan	
DIMENSIONS: 単位: 概 mm		CHK H. KITAMURA 13JAN00	NAME 名称 6 POS. PLUG ASSEMBLY , AIR BAG COLUMN CONNECTOR 6極 プラグ アセンブリ , エアバッグ コラム コネクタ	
TOLERANCES UNLESS OTHERWISE SPECIFIED: 一般公差 = ± 0.5		APVD M. TSUKAKOSHI 13JAN00	PRODUCT SPEC 製品規格 108-5650	
0-PLC ± 1-PLC ±0.1 2-PLC ±0.01 3-PLC ±0.001 4-PLC ±0.0001 ANGLES ±1.00°		APPLICATION SPEC 取付適用規格 114-5217	SIZE A3	RESTRICTED TO
MATERIAL 材料 PBT	FINISH 仕上 -	WEIGHT 2.7 g	CAGE CODE 00779	DRAWING NO 番号 G-1318825
CUSTOMER DRAWING		SCALE 尺度 2:1	SHEET OF 1	REV 0