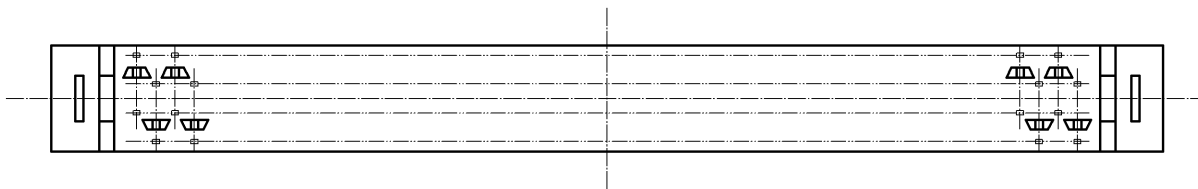
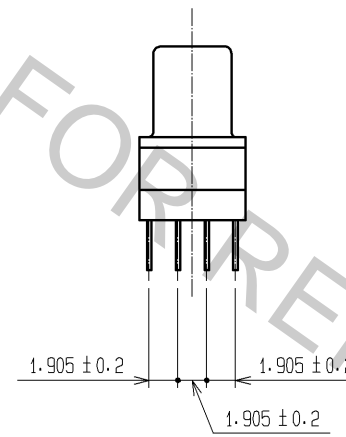
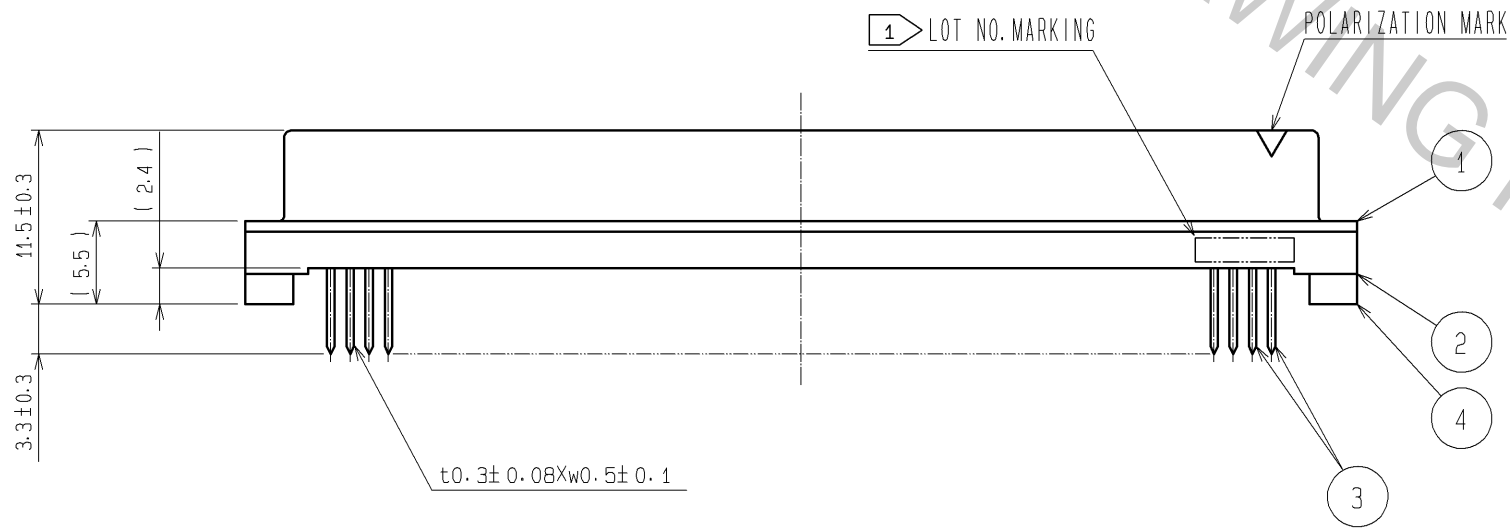
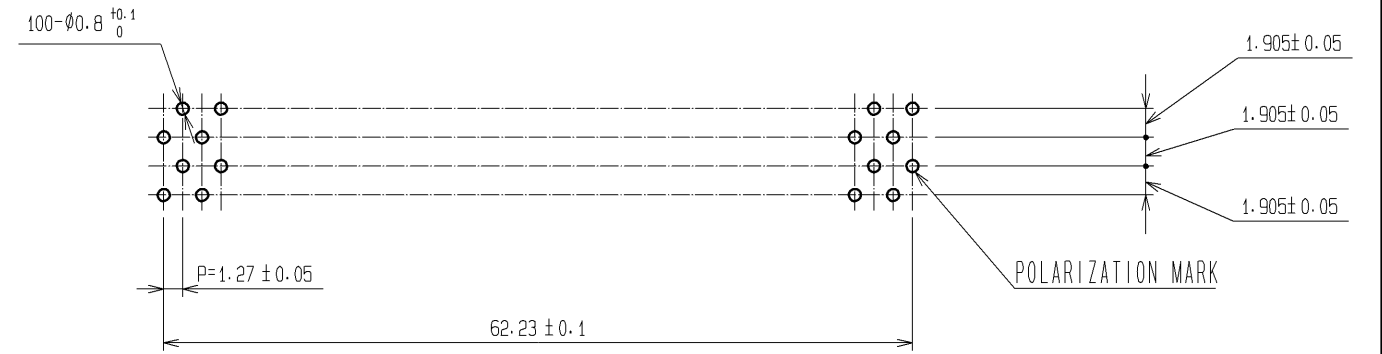


RECOMMENDED PC BOARD HOLE PATTERN (MOUNTING SIDE)  
(FREE) t=1.6



- NOTES 1 LOT NO. MARKING SIDE SHALL BE OPTIONAL.  
2. THE DIMENSIONS IN PARENTHESES ARE FOR REFERENCE.

1, 2, 4		POLYAMIDE	BLACK, UL94V-0	3	PHOSPHOR BRONZE	CONTACT AREA : GOLD 0.2 μm min. DIP AREA : TIN-PLATING 2 μm min. UNDER PLATING : NICKEL 2 μm min.
NO.	MATERIAL	FINISH, REMARKS		NO.	MATERIAL	FINISH, REMARKS
UNITS mm		SCALE 2 : 1	COUNT 	DESCRIPTION OF REVISIONS		DESIGNED
		HIROSE ELECTRIC CO., LTD.		APPROVED : HS. OKAWA	07.08.10	DRAWING NO. EDC3-083218-21
				CHECKED : HS. OZAWA	07.08.10	PART NO. FX2C2-100S-1.27DSA(71)
				DESIGNED : KY. NAKAMURA	07.08.10	CODE NO. CL572-2428-3-71
				DRAWN : TP. MATSUMOTO	07.08.09	