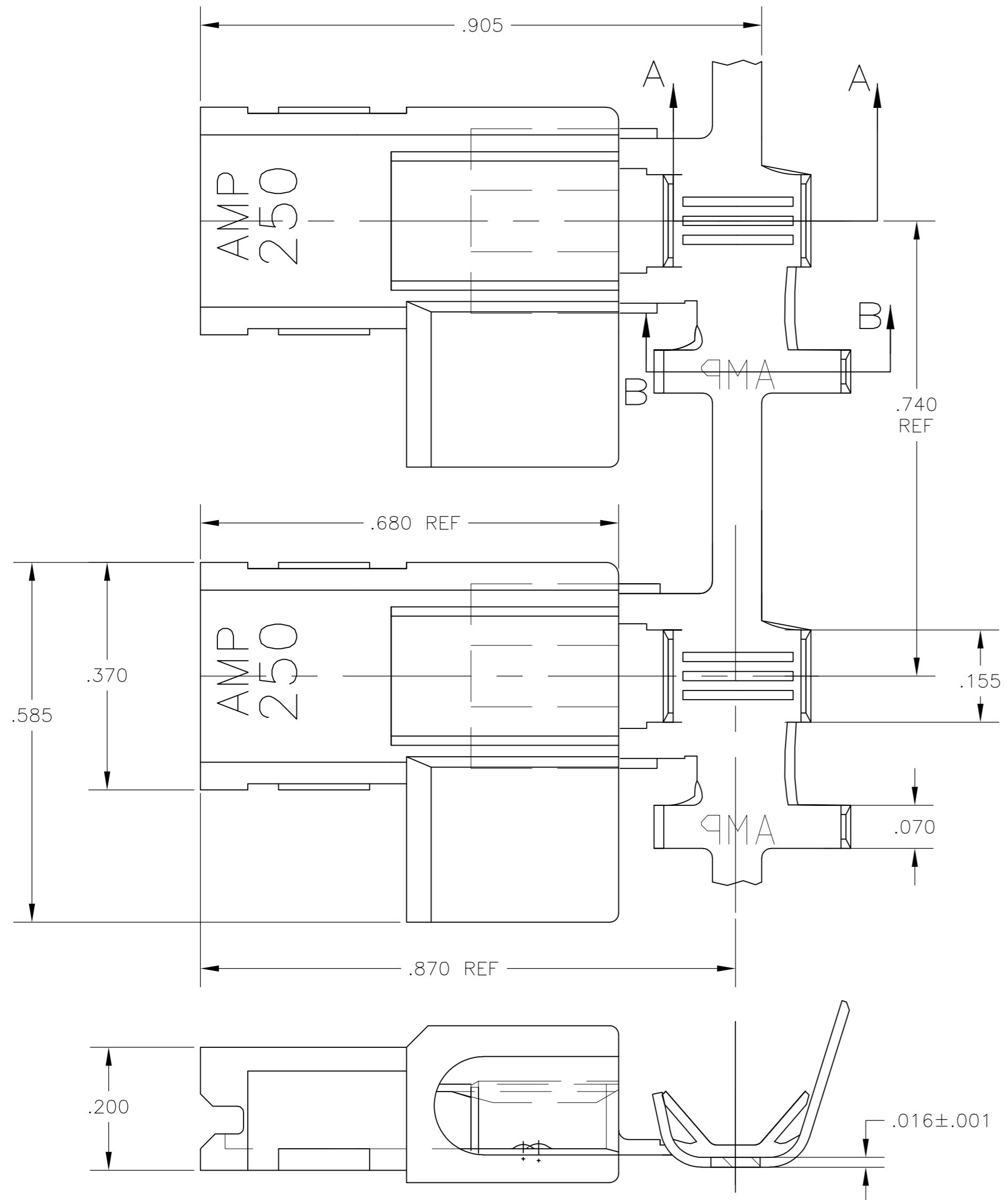
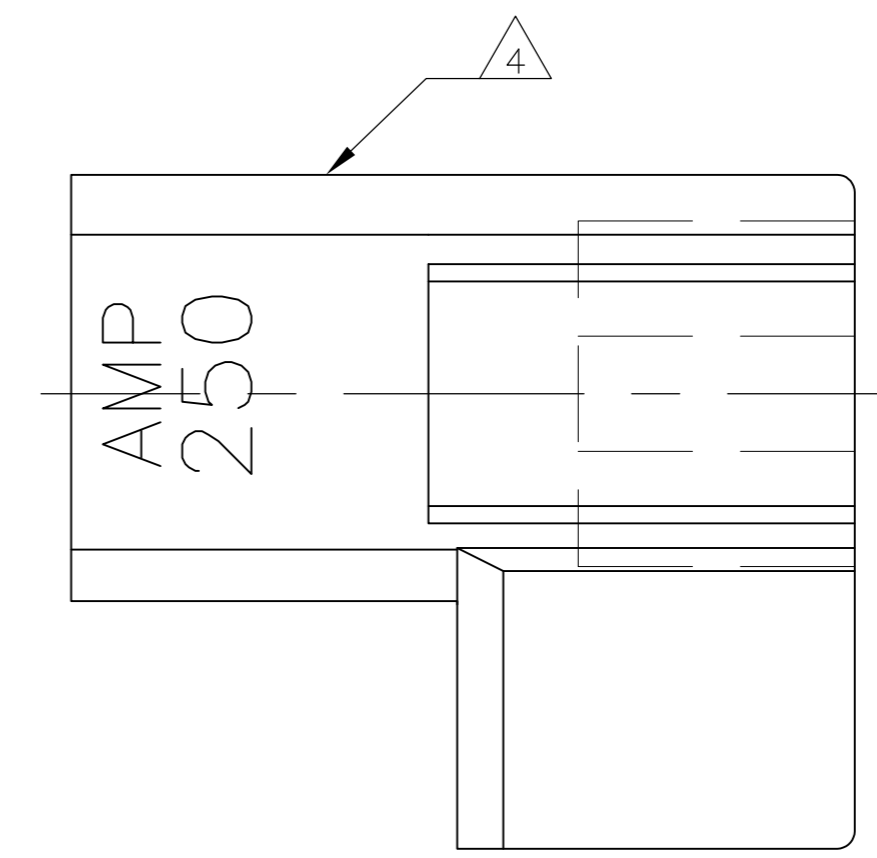
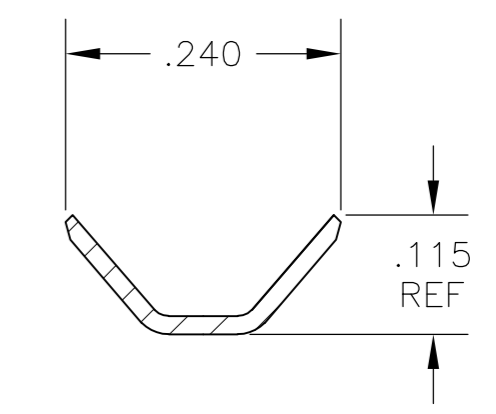
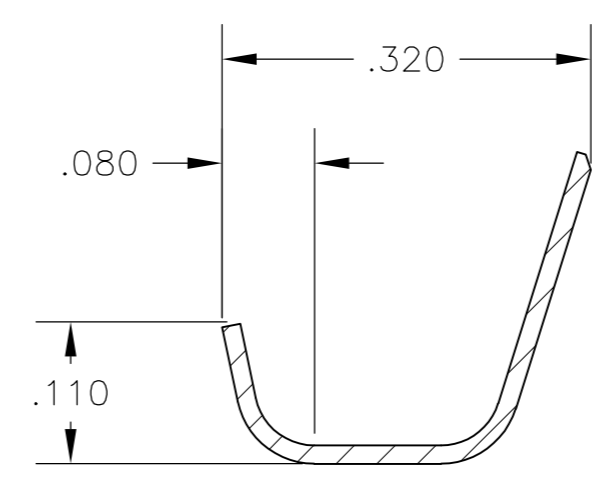


THIS DRAWING IS UNPUBLISHED. RELEASED FOR PUBLICATION
 © COPYRIGHT BY TYCO ELECTRONICS CORPORATION. ALL RIGHTS RESERVED.

Loc		DIST		REVISIONS			
P	LTR	DESCRIPTION		DATE	DWN	APVD	
AF	50	G2	REVISED PER ECR-10-005376	11MAR10	JR	GP	



- 2 INSULATION RANGE TO BE .110-.160 OR TWO AT .110 MAX DIA.
- 3 WIRE SIZE IS [#18-#14 OR TWO #20'S OR TWO #18'S].
- △ ALTERNATE HOUSING FORM
- 5 FITS .250x.032 THICK FASTON TAB.



6/6 NYLON, VO / NATURAL		BRASS / TIN PLATED		521633-2	
6/6 NYLON, VO / NATURAL		BRASS / PLAIN		521633-1	
HOUSING MATERIAL / COLOR		TERMINAL MATERIAL / FINISH		PART NO	
THIS DRAWING IS A CONTROLLED DOCUMENT.		DWN JR RUTH 08MAY03	Tyco Electronics Corporation Harrisburg, Pa 17105-3608		
DIMENSIONS: INCHES		CHK J HUMMEL 08MAY03	NAME ASSEMBLY, RECEPTACLE, FLAG, ULTRA-POD, .250 SERIES		
TOLERANCES UNLESS OTHERWISE SPECIFIED:		APVD J HUMMEL 08MAY03	PRODUCT SPEC 108-1285		
0 PLC ± -		APPLICATION SPEC 114-2124			
1 PLC ± -		SIZE A2		CAGE CODE 00779	DRAWING NO C=521633
2 PLC ± -		WEIGHT -		RESTRICTED TO -	
3 PLC ± .010		SCALE 6:1			
4 PLC ± -		SHEET 1 OF 1		REV G2	
ANGLES ± -		CUSTOMER DRAWING			
FINISH SEE TABLE					