

P/N (See note 4)
85757-XYZZLF

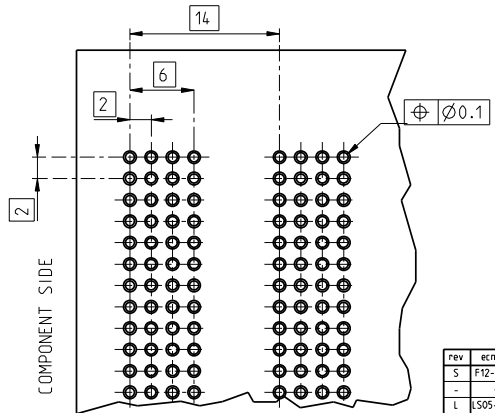
With
X : Plating dash number
Y : Termination dash number
ZZ: Loading dash number

X	PLATING CONTACT AREA
1	STANDARD PLATING See product specification GS-12-447

Y	DIMENSION A
1	4.3
2	13.6

ZZ	CONTACT LOADING
	SEE NEXT PAGE

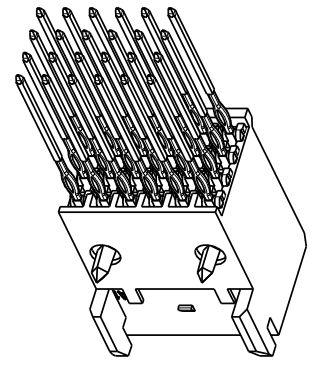
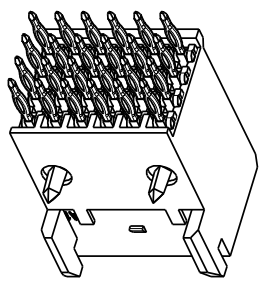
RECOMMENDED LAYOUT



GENERAL CHARACTERISTIC AND ROHS INFORMATIONS
SEE PRODUCT SPECIFICATION : GS-12-447

NOTES :

- 1 - FLAT ROCK PRODUCT. NO SPECIFIC TOOL NEEDED FOR PRESS-FIT INSERTION
- 2 - PRESS-FIT : EON SHAPE
- 3 - TUBE PACKAGING : SEE NEXT PAGE
- 4 - STANDARD PLATING ON PRESS FIT AREA : PURE TIN
TIN LEAD PLATING AVAILABLE ONLY FOR CONTACT LENGTH Y : "1" ON REQUEST



rev	ecn no	dr	date
S	F12-0026	APA	2012/03/12
-	-	-	-
L	LS05-0076	LGO	2005/09/01
M	L06-0097	LGO	2006/07/07
N	LS07-0142	MLE	2007/05/10
P	F10-0027	LSA	2010/04/14
R	F10-0046	LSA	2010/05/04

www.fcconnect.com		surface ISO 1302	tolerance std ISO 406	ISO 1101	projection	mm
Dr A.PARRENIN 2011/05/25		TOLERANCES UNLESS OTHERWISE SPECIFIED		size	Scale 5:1	
Eng A.PARRENIN 2011/05/25		ANGULAR	LINEAR	0.X	±0.3	F12-0026
Chr F.MORILLAS 2011/05/25		0°	±2°	0.XXX	±0.1	
Appr J.PETIT 2011/05/25		Product family		METRAL	Spec ref	
Title METRAL RCP STR 4 RAW				drawing no	C-85757	
4 x 6 SIGNAL - FLAT ROCK				Rev.	S	
catalog no				CUSTOMER	sheet 1 of 2	

Copyright FCI. FCI

FCI CONFIDENTIAL

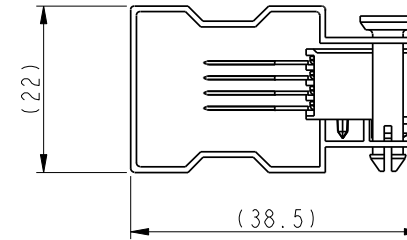


This document is the property of and embodies CONFIDENTIAL and PROPRIETARY information of FCI. No part of the information shown on this document may be used in any way or disclosed to others without the written consent of FCI. Copyright FCI.

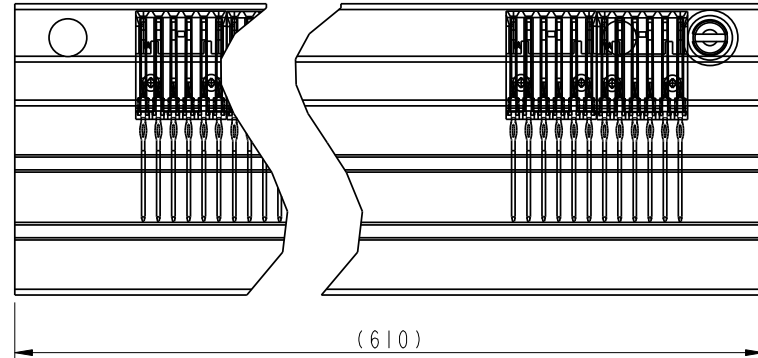
CONTACT LOADINGS

LEAD FREE PART NUMBER	CONFIGURATION						
	POS	6	5	4	3	2	1
85757-XY01LF	D	X	X	X	X	X	X
	C	X	X	X	X	X	X
	B	X	X	X	X	X	X
	A	X	X	X	X	X	X
85757-XY02LF	D	-	X	-	X	-	X
	C	X	-	X	-	X	-
	B	-	X	-	X	-	X
	A	X	-	X	-	X	-
85757-XY03LF	D	X	X	-	-	X	X
	C	X	X	-	-	X	X
	B	X	X	-	-	X	X
	A	X	X	-	-	X	X
85757-XY04LF	D	-	X	-	X	-	X
	C	X	-	X	-	X	-
	B	-	X	-	X	-	X
	A	X	-	X	-	X	X
	D						
	C						
	B						
	A						

PACKAGING

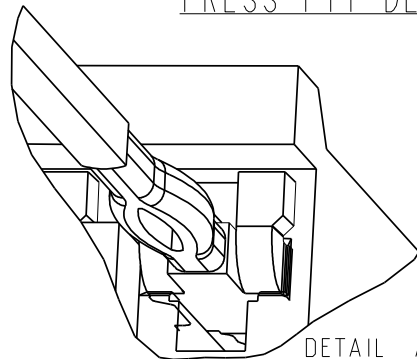


SCALE 3:2

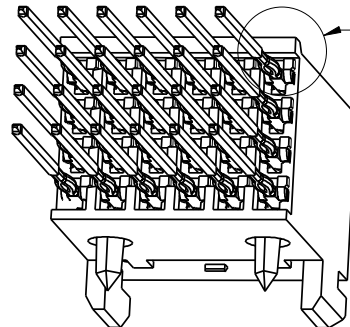


QTY / TUBE 48

PRESS FIT DETAILS



DETAIL A
SCALE 20:1



SCALE 4:1

SEE DETAIL A

Material	-	Spec ref			
Mat code	-	surface	tolerance	projection	mm
Heatreat	-	ISO 1302	ISO 406		
Plating/Finish	-	ISO 1101	ISO 1101		
Dr	A.PARRENIN	2011/05/25	size	A3	Scale 4:1
Eng	A.PARRENIN	2011/05/25	Product family	METRAL	
Chr	F.MORILLAS	2011/05/25	Model Name	85757-X1ZZ	ECN F12-0026
Appr	J.PETIT	2011/05/25	Model Revision	1	REL Level IN_WORK
	title	METRAL RCP STR 4 RAW		no	Rev.
		4 x 6 SIGNAL - FLAT ROCK		dwg no	C-85757
Pro/E file	catalog no	-	CUSTOMER	sheet 2 of 2	