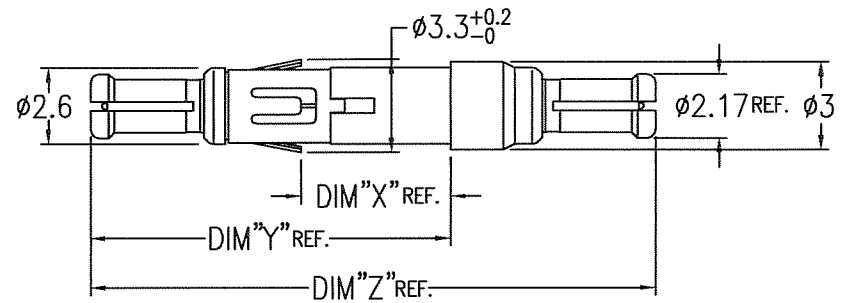
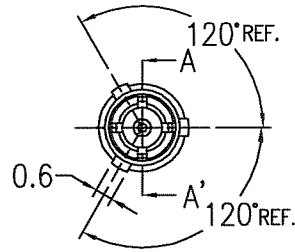
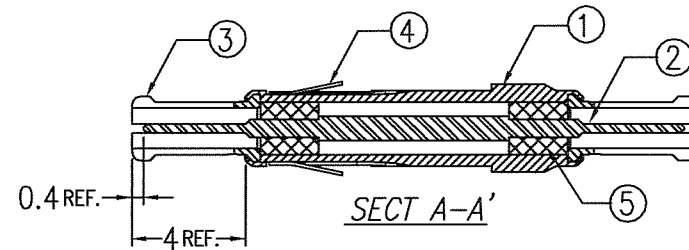


	DIM"X"	DIM"Y"	DIM"Z"	PCB THICKNESS
61439-001	5.05	12.5	20	3.2mm
-001LF				
-002	4.25	11.7	19.2	2.4mm
-002LF				
-003	4.55	11.8	18.8	2.7mm MAX.
-003LF				
-004	5.35	12.6	19.6	3.5mm MAX.
-004LF				
-005	6.1	13.35	20.35	4±0.25 mm
-005LF				



No.	DESCRIPTION	MATERIAL	FINISH
1	SHELL	BRASS	Au 0.05um MIN.
2	INNER CONTACT	BERYLLIUM COPPER	Au 1.27um MIN.
3	OUTER CONTACT	BERYLLIUM COPPER	Au 1.27um MIN.
4	SPRING CLIP	BERYLLIUM COPPER	Ni 1.27um MIN.
5	INSULATOR	PTFE	



NOTE
 1. FOR LEAD FREE P/N, THE PRODUCT MEET EUROPEAN UNION DIRECTIVES AND OTHER COUNTRY REGULATIONS AS DESCRIBED IN GS-22-008
 2. THE PRODUCT IS NOT INTENDED TO BE EXPOSED TO A MANUFACTURING SOLDER PROCESS.

mat'l. code				surface		tolerance		projection		product family		CODE	
---				ISO 1302		ISO 406		MM		METRAL		JP	
ltr	description	ecn no	dr	date	tolerances unless otherwise specified	linear	0.X ±0.2	MM	title				
F	REVISED	J90046	YK	2/8/99	angles	0.XX ±0.2			METRAL MINI COAX				
G	REVISED	J90084	YK	3/10/99	0°±3'	0.XXX ±0.2	scale N.S		MALE W/B COUPLER LONG WIPE TYPE				
H	REVISED	J00063	YK	1/19/00									
J	REVISED	J00296	YK	4/13/00	dr	M.NAGASE	12/5/96		dwg no	sheet 1 of 1	size		
K	REVISED	J10309	YK	5/9/01	engr	S.OKUDAIRA	1/18/07		61439		A4		
L	REVISED	J05-0665	T.S	10/21/05	chr	R. Zhouji	1/18/07		Customer Drawing				
M	REVISED	J07-0030	SJ	1/18/07	appd	P. Choudhary	1/18/07						
sheet	revision	M										Rev.	
index	sheet	1										M	