

MATERIALS AND FINISHES

BODY, OUTER CONTACT, WASHER, RETAINING RING BRASS
PLATED NICKEL

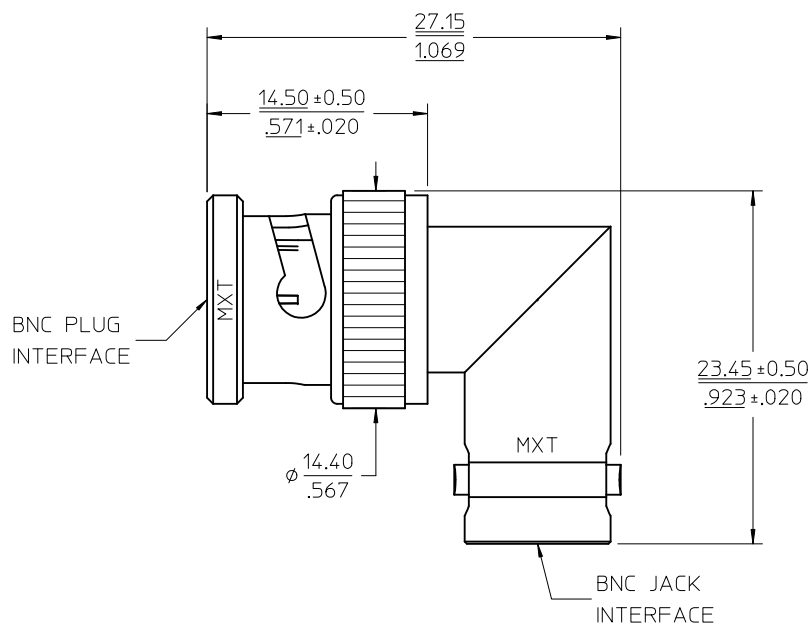
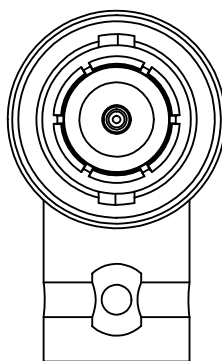
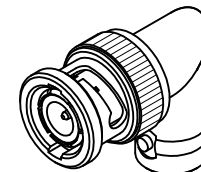
CENTER CONTACT (PLUG)-BRASS, (JACK)-PHOSPHOR BRONZE
PLATED GOLD

INSULATOR POLYPROPYLENE

COUPLING NUT ZINC ALLOY
PLATED NICKEL

GASKET SILICONE RUBBER

SPRING WASHER BERYLLIUM COPPER



| | |
|---------------|-------------------------|
| PS-73598-0122 | ELEC/MECH SPECIFICATION |
| ES-73599-0000 | INTERFACE PLUG & JACK |
| SPECIFICATION | DESCRIPTION |

| | |
|------------|-----------|
| 73151-5003 | BULK |
| PART NO. | PACKAGING |

| | | | | | | |
|--|-------------------|---|---|---|---|---------------------------------------|
| CHG: UPDATED VIEW PER RF12-E016 EC NO: URF2012-0131 DR:WINRYEH CHKD: APPR:MHUANG 2011/09/13 2011/10/03 | DESCRIPTION B3 | QUALITY SYMBOLS ▽=0 ▽=0 | GENERAL TOLERANCES (UNLESS SPECIFIED) mm INCH 4 PLACES ± --- ± --- 3 PLACES ± --- ± --- 2 PLACES ± --- ± --- 1 PLACE ± --- ± --- ANGULAR ± 2° | DIMENSION STYLE MM/IN DRAWN BY DATE IRIS WANG 1991/01/21 CHECKED BY DATE KERRIE 2011/09/13 APPROVED BY DATE | SCALE DESIGN UNITS METRIC THIRD ANGLE PROJECTION | TITLE BNC JACK TO PLUG R/A ADAPTER |
| | | DRAFT WHERE APPLICABLE MUST REMAIN WITHIN DIMENSIONS | MATERIAL NO. SEE TABLE | DOCUMENT NO. SD-73151-5003 | SHEET NO. 1 OF 1 | |
| | | MOLEX INCORPORATED | | | | |
| | | THIS DRAWING CONTAINS INFORMATION THAT IS PROPRIETARY TO MOLEX INCORPORATED AND SHOULD NOT BE USED WITHOUT WRITTEN PERMISSION | | | | |