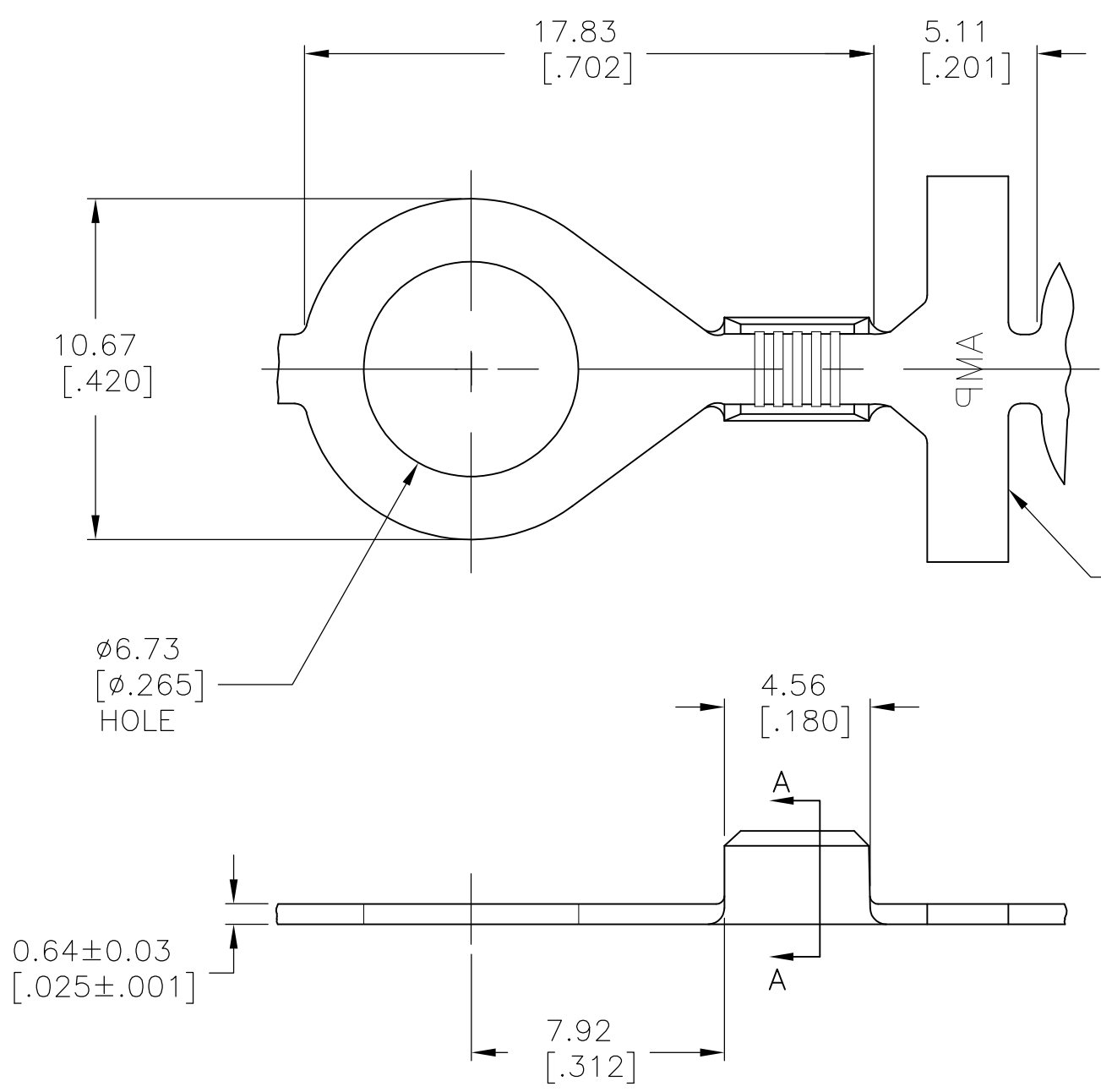


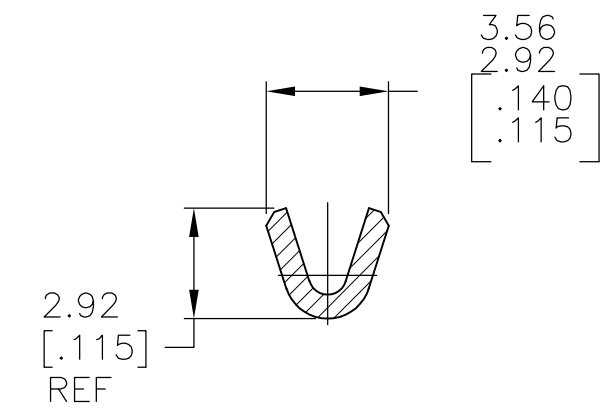
THIS DRAWING IS UNPUBLISHED. RELEASED FOR PUBLICATION
 © COPYRIGHT BY TYCO ELECTRONICS CORPORATION. ALL INTERNATIONAL RIGHTS RESERVED.

LOC	DIST	REVISIONS					
		P	LTR	DESCRIPTION	DATE	DWN	APVD
AF	50		A1	REVISED PER ECR-09-001244	05MAR09	HMR	JR



THIS AREA TO BE
 SLUGGED OUT IN
 APPLICATOR

- 1 AMPLIVAR SERRATIONS PERMIT CRIMPING OF MAGNET WIRE WITHOUT PRE-STRIPPING COATING
- 2 CONTINUOUS STRIP ON REELS.



1/4	0.66-1.14 mm DIA	22-18	62835-1
STUD SIZE	INSULATION RANGE	WIRE RANGE	PART NO

THIS DRAWING IS A CONTROLLED DOCUMENT.		DWN RAGHAVENDRA 05MAR09	Tyco Electronics Corporation Harrisburg, PA 17105-3608	
DIMENSIONS: mm [INCHES]		CHK JEFF RUTH 05MAR09	Tyco Electronics	
TOLERANCES UNLESS OTHERWISE SPECIFIED:		APVD DON DECKER 05MAR09	NAME	
0 PLC ± - 1 PLC ± - 2 PLC ± - 3 PLC ± 0.38 [.015] 4 PLC ± - ANGLES ±		PRODUCT SPEC	AMPLIVAR RING	
MATERIAL BRASS		APPLICATION SPEC	SIZE A3	CAGE CODE 00779
FINISH TIN		WEIGHT -	DRAWING NO C-62835	RESTRICTED TO -
CUSTOMER DRAWING			SCALE 5:1	SHEET 1 OF 1
			REV A1	