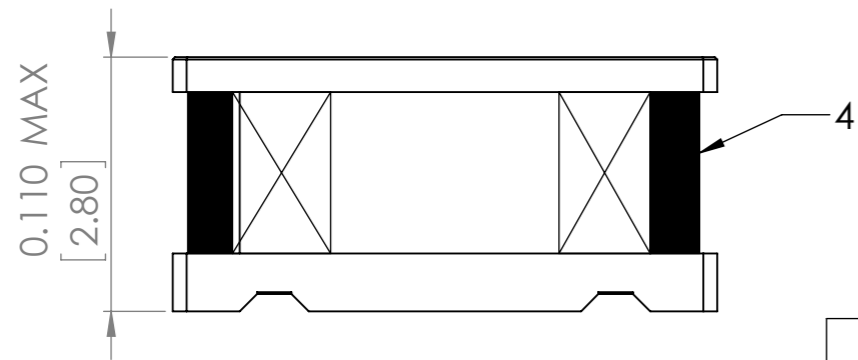
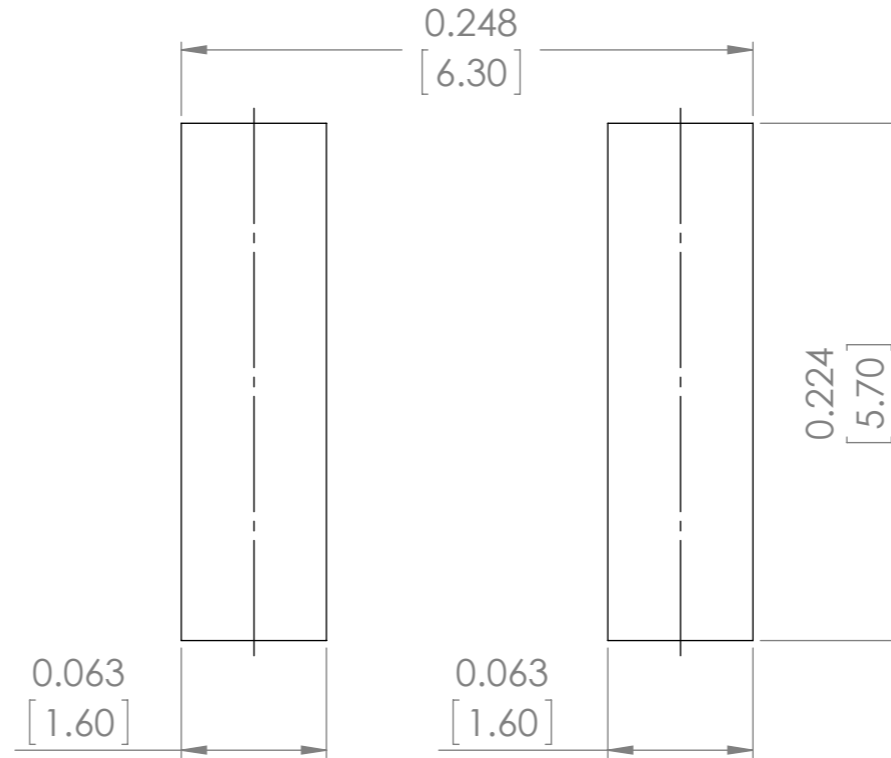
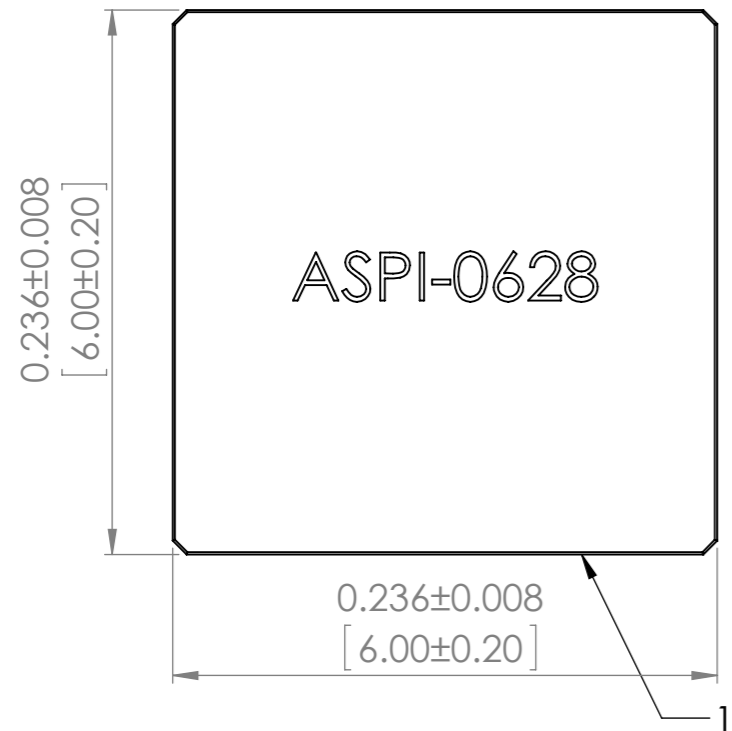
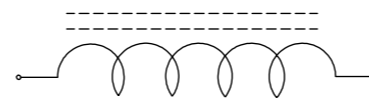


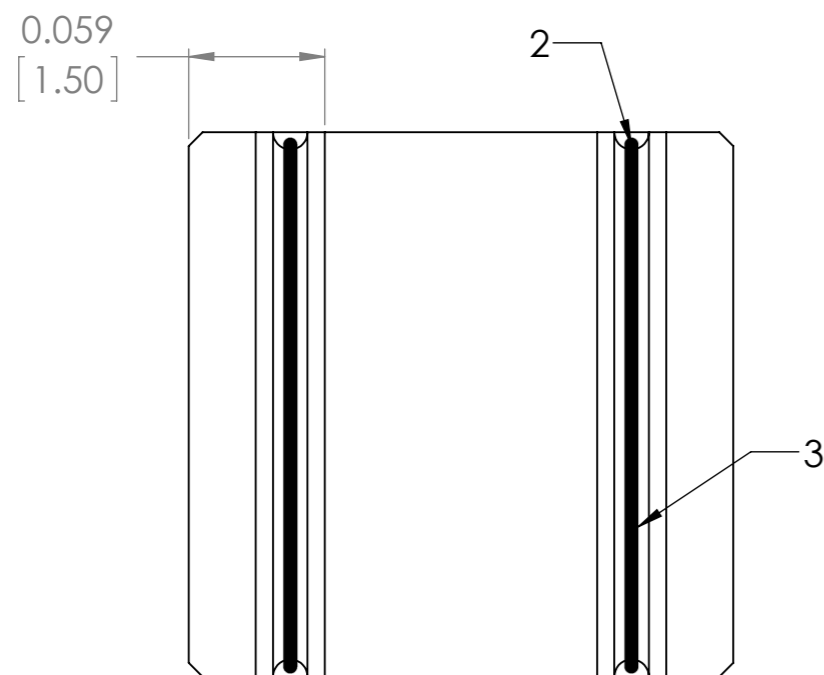
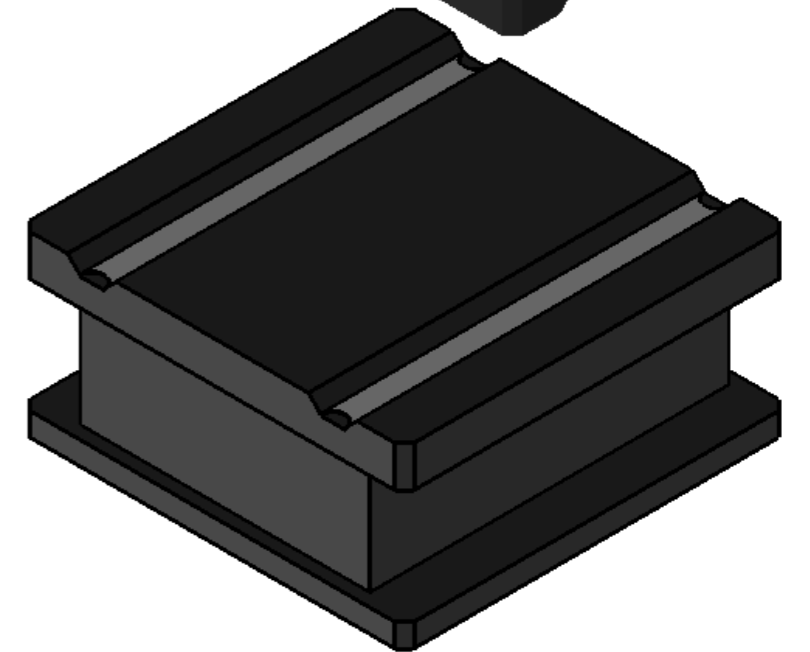
Recommended Land Pattern




Circuit Schematic



No Polarity



No	Part Name	Material
1	Ferrite core	Ni-Zn Ferrite
2	Terminals	Ag/Ni/Sn
3	Coil	Cu/P180 Grd 1
4	Adhesive	Silicon Base Resin
	Magnetic Powder	Ni-Zn Ferrite

UNLESS OTHERWISE SPECIFIED: DIMENSIONS ARE IN INCH(MM) SURFACE FINISH: TOLERANCES: LINEAR: ANGULAR:				FINISH:	DEBUR AND BREAK SHARP EDGES	DO NOT SCALE DRAWING	REVISION -
NAME	SIGNATURE	DATE				 30332 Esperanza, Rancho Santa margarita, California 92688	
DRAWN SAAZVAT						TITLE: Low profile	
CHK'D XXXXXX						DWG NO. ASPI-0628	A3
APP'V'D						SCALE:12:1	
MFG						SHEET 1 OF 1	
Q.A					MATERIAL:		
					WEIGHT:		