



Copyright FCI.

D

A

B

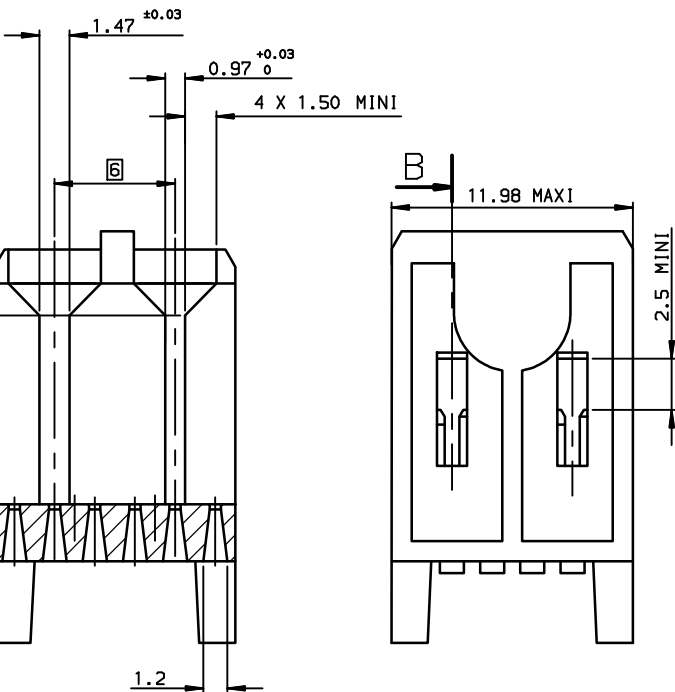
C

A

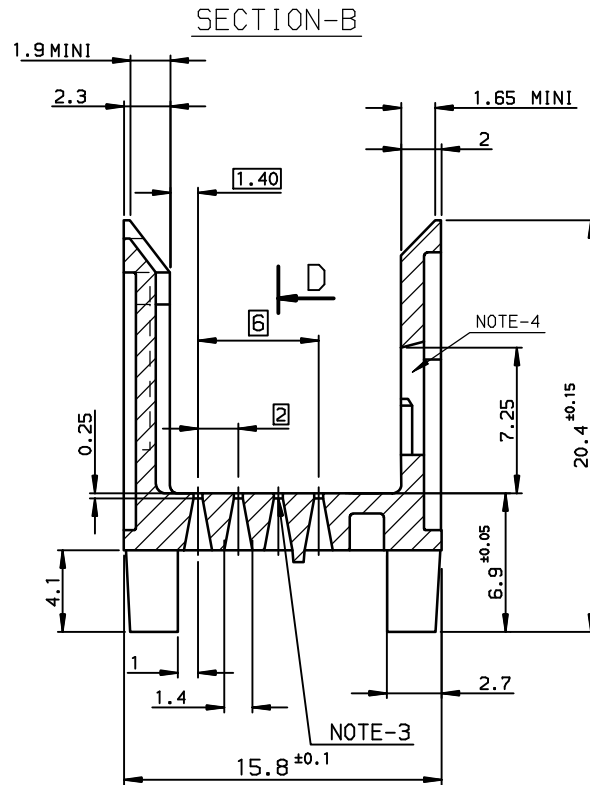
B

C

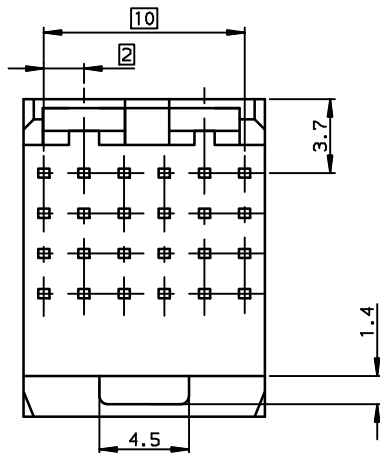
D



SECTION-D



SECTION-B



REDUCED SCALE SHEET

NOTE: RoHS INFORMATIONS

- The "LF" product meets European union Directives and other country regulations as described in 65-22-008.
- The product is not intended to be exposed to a manufacturing solder process.
- Packaging spec: see 65-14-920.

Part Number: HM13220LF

European Views

www.fciconnect.com		surface ISO 1302 ✓	tolerance std ISO 406 ISO 1101	projection mm
TOLERANCES UNLESS OTHERWISE SPECIFIED				
Dr	CHAMPION	2005/10/13	0.x ±0.1	size A3
Eng	TARON	2005/10/13	0.xx ±0.1	
Chr	LEGARE	2005/10/13	0.xxx ±0.1	
Appr	LEGARE	2005/10/13	Product family METRAL	ECN LS06-0095
FCI		title MILLIPACS-1 SHROUD 4 ROWS 24 WAYS WIDE BODY STAND-OFF 6.9mm		Rev. B
catalog no		-		CUSTOMER sheet 1 of 1

- NOTE-1: OTHER DIMENSIONS IN ACCORDANCE WITH IEC-488-(S.296) SPECIFICATION
 NOTE-2: MATERIAL HIGH TEMPERATURE NATURAL COLOUR
 NOTE-3: FORCE FIT CAVITIES FOR RETENTION WITH REAR PLUG-UP CONTACT PART
 NOTE-4: CAVITY FOR LATCHING AND CODING

rev	ecn no	dr	date
A	LS05-0086	JTA	2005/10/13
B	LS06-0095	LGO	2006/07/06
-	-	-	-
-	-	-	-
-	-	-	-
-	-	-	-

REV F - 2006-04-17