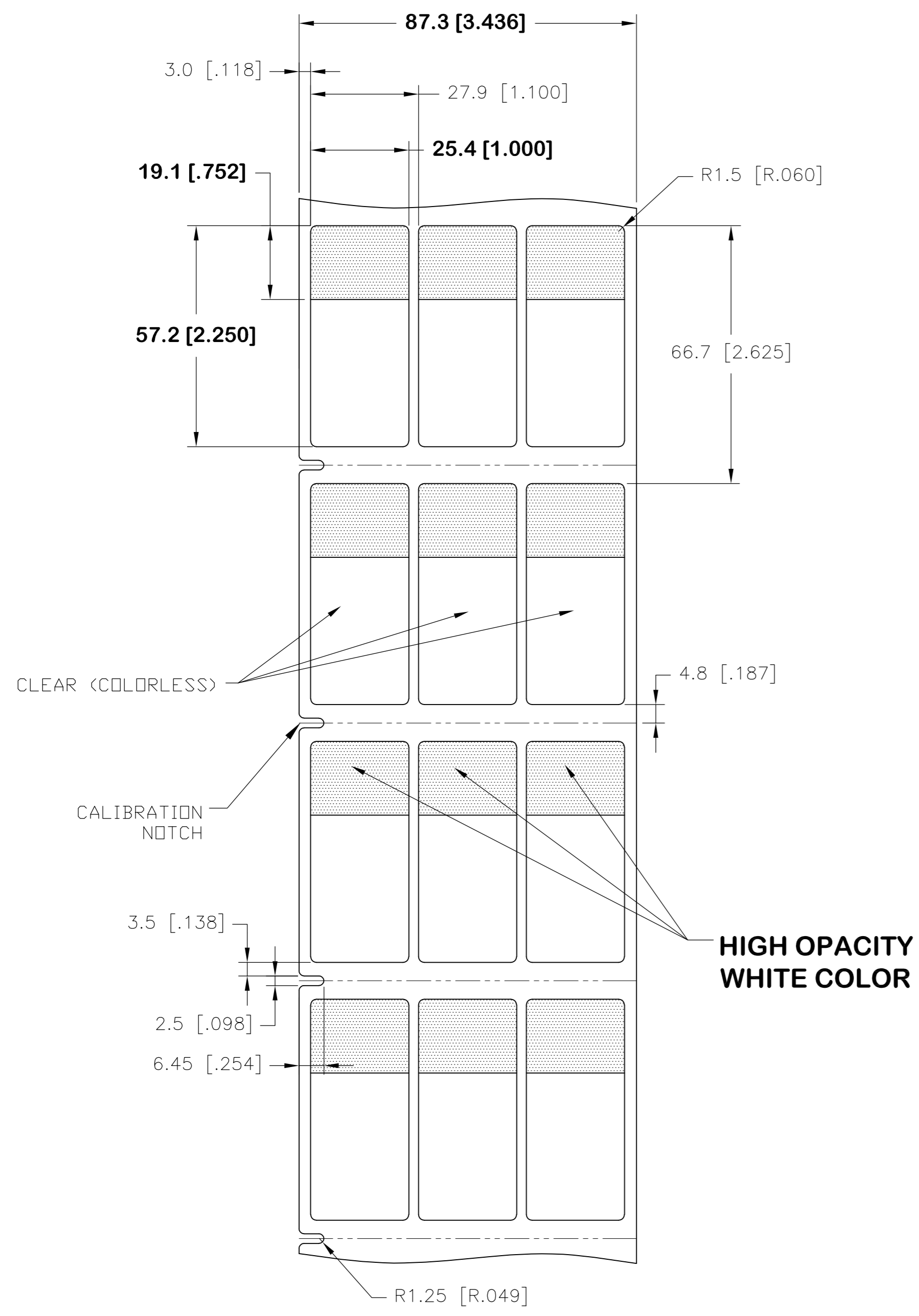


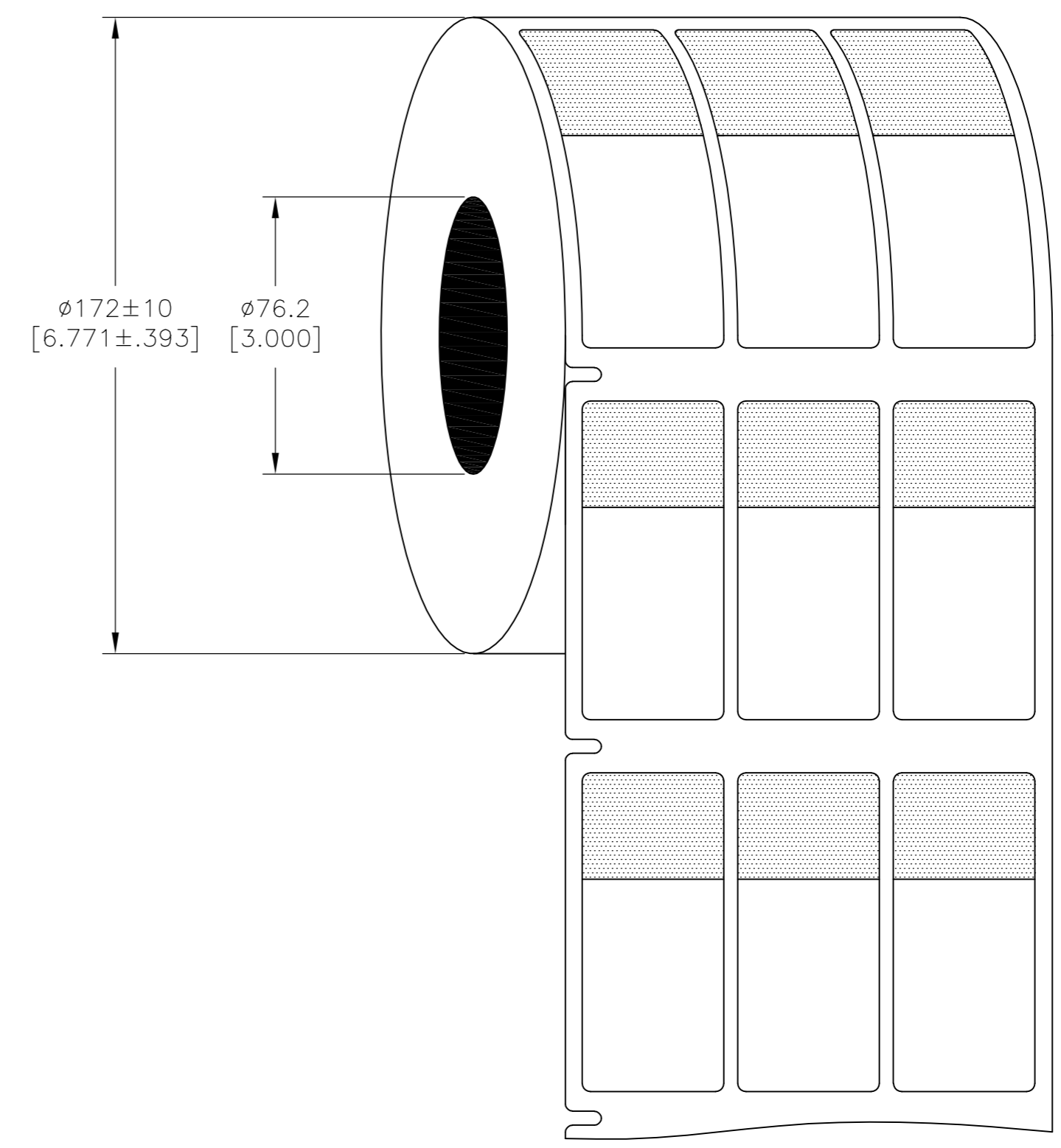
THIS DRAWING IS UNPUBLISHED. RELEASED FOR PUBLICATION MAR , 2017.  
 © COPYRIGHT 2017 By TE Connectivity ALL RIGHTS RESERVED.

REVISIONS					
P	LTR	DESCRIPTION	DATE	DWN	APVD
B		NEW DRAWING FORMAT	20MAR2017	GK	DB

**LABEL AND LINER DESIGN**



**PRESENTATION**



**OUTSIDE WOUND LABEL ACROSS: 3 PER ROLL QTY: 5000**

All dimensions in mm [Inch]

UL RECOGNIZED BY UNDERWRITERS LABORATORIES INC. IN UL FILE MH61871-PG12 CATEGORY-SBP LABEL, PRINTER AND RIBBON

**TE PN: CN9922-000**

TOLERANCES mm [INCH]	
LABEL HEIGHT:	±0.3 [.012]
LABEL WIDTH:	±0.3 [.012]
WEB WIDTH:	±0.8 [.031]
VERTICAL REPEAT:	±0.8 [.031]*
HORIZONTAL REPEAT:	±0.8 [.031]*
PRINT POSITIONING:	±0.8 [.031]*
LEFT MARGIN:	±0.4 [.016]
QUANTITY:	-0 % +2 %
*NON ACCUMULATING	

MATERIAL		CLEAR VINYL	
ADHESIVE TYPE		ACRYLIC PERMANENT	
LINEAR		WHITE GLASSINE	
DWN		GOPALAKRISHNA HV	
CHK		D.BURGAT	
APVD		D.BURGAT	
PRODUCT SPEC		TTDS-211	
APPLICATION SPEC		REV. 8 OR GREATER	
SIZE	CAGE CODE	DRAWING NO	RESTRICTED TO
A2	00779	C=SBP100225WE5	-
WEIGHT		0.202g	
CUSTOMER DRAWING		SCALE NTS SHEET 1 OF 1 REV B	