

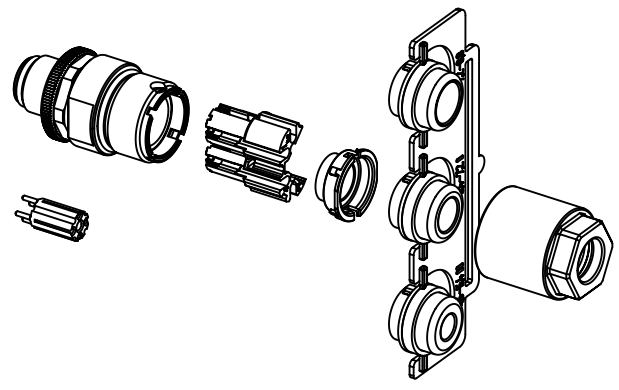
contact face acc. to IEC 61076-2-101

assembly aid enclosed

order contacts separately

shielding resistance $\leq 1,5 \text{ Ohm}$
 material metal parts: stainless steel
 (EN 10088-3/ 1.4404/ X2CrNiMo17-12-2)

| | | |
|--------------|------------|----------------|
| 4,5-8,8mm | AWG 24-20 | 09 67 000 8576 |
| | AWG 26-22 | 09 67 000 5576 |
| | AWG 22-18 | 09 67 000 3576 |
| cable ϕ | wire gauge | part-no. |



| | | | | | | | |
|---|--|---|----------------------|--------------------------|-----------------|--|----------|
| | All Dimensions in mm Original Size DIN A4 | Scale 1:1 | Free size tol. | | | Ref. | |
| | All rights reserved Department EC PD - DE | Created by HELLMANN | Inspected by EISFELD | Standardisation HOFFMANN | Date 2016-10-18 | State Final Release | |
| HARTING Electronics GmbH D-32339 Espelkamp | | Title HARTING M12-L crimp male A-coded 5-pole | | | | Doc-Key / ECM-Nr. 100569994/UGD/004/D 500000109655 | |
| | | Type TB | Number 21038221535 | | | Rev. D | Page 1/1 |