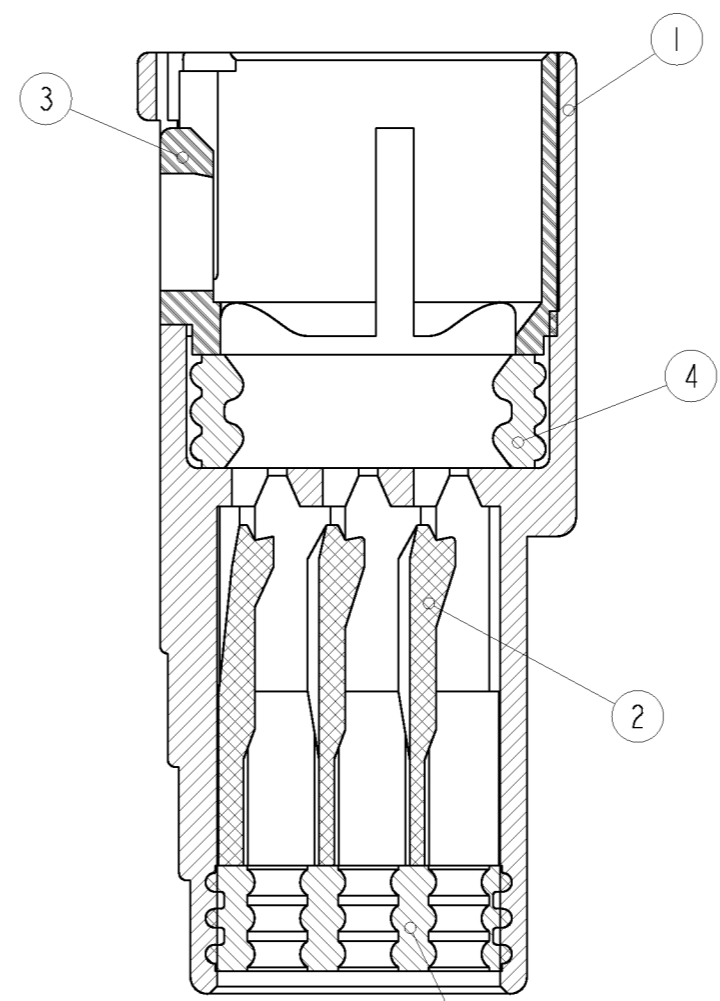
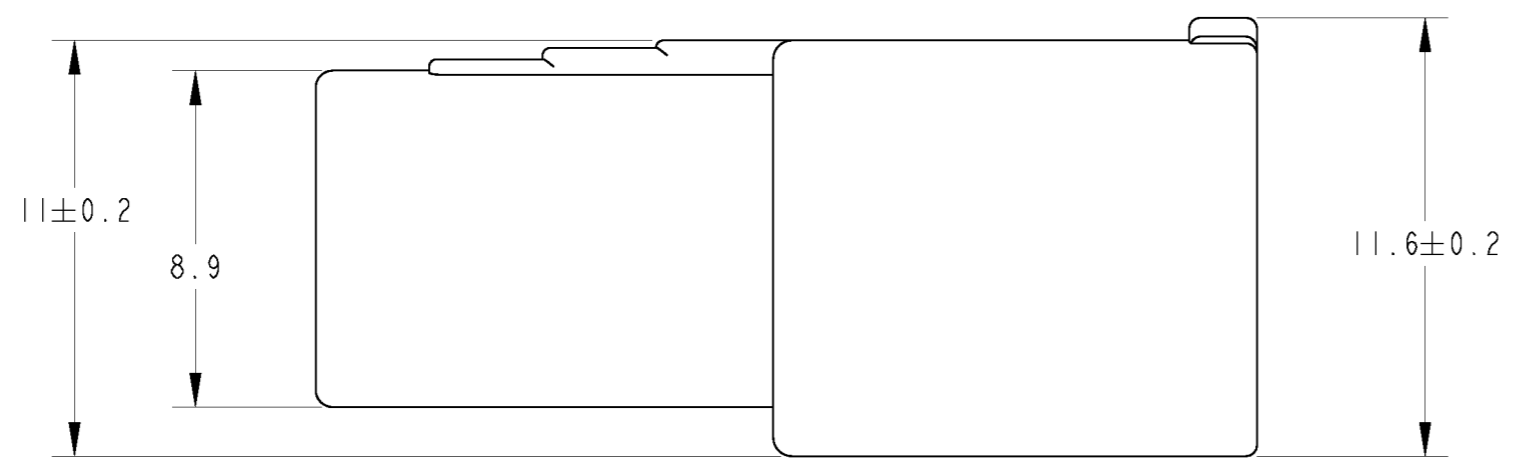
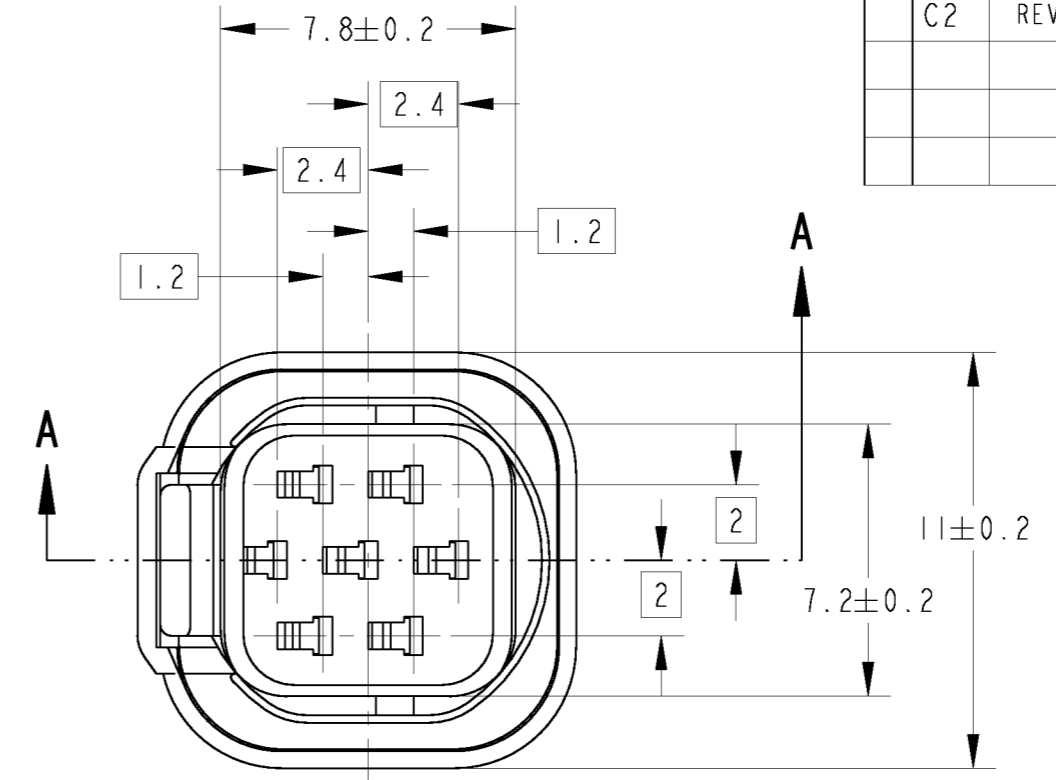
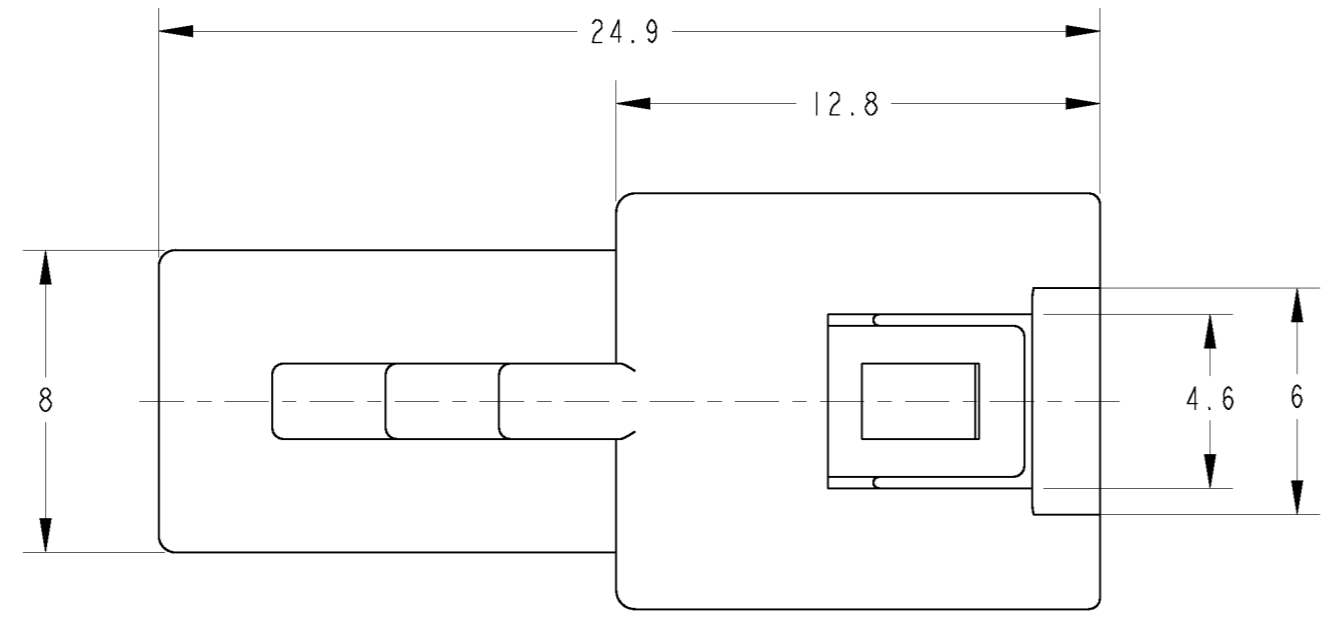
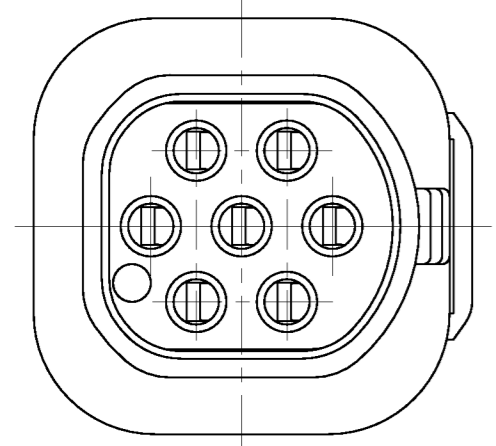


THIS DRAWING IS UNPUBLISHED. RELEASED FOR PUBLICATION 20
 (C) COPYRIGHT 20 ALL RIGHTS RESERVED.

LOC	DIST	REVISIONS					
J	-	P	LTR	DESCRIPTION	DATE	DWN	APVD
		C2		REVISED PER ECO-11-005140	02APR2011	RK	HMR



A-A

- 1. THE MATING PLUG HSG P/N 917318
- 2. APPLIED CONTACT P/N 917309
- 3. APPLICABLE PRODUCT SPEC. No. 108-5426
- 4. INSTRUCTION SHEET: 412-5653

- 1. 嵌手相手ハウジング型番: 917318
- 2. 内装するタブコンタクト型番: 917309
- 3. 適用製品規格番号: 108-5426-1
- 4. 取扱説明書: 412-5653-1

917319-8	917319-7	917319-6	917319-5	917319-4	7POSITION CAP HOUSING (YELLOW)	1
					7POSITION CAP HOUSING (GRAY)	1
					7POSITION CAP HOUSING (BLACK)	1
					7POSITION CAP HOUSING (NATURAL)	1
					SEAL RUBBER (LIGHT GRAY)	5
					SEAL RING (LIGHT GRAY)	4
					SEAL RING HOLDER (GREEN)	3
					7POSITION HOUSING LANCE (GREEN)	2
					7POSITION CAP HOUSING (GREEN)	1
					NAME & COLOR	ITEM NO.

TOLERANCE UNLESS OTHERWISE SPECIFIED:	
10≥	±0.2
30≥	>10 ±0.25
100≥	>30 ±0.3
ANGLE	±0.3°

DIMENSIONS:		TOLERANCES UNLESS OTHERWISE SPECIFIED:	
単位:	mm	一般公差	PLC
0	PLC	±	±0.1
1	PLC	±0.1	±0.01
2	PLC	±0.01	±0.001
3	PLC	±0.001	±0.0001
4	PLC	±0.0001	±1°00'
ANGLES		FINISH	
FINISH		仕上	

THIS DRAWING IS A CONTROLLED DOCUMENT.		DWN	I. SHINOHARA	19 JAN 06
		CHK	K. BETSUI	19 JAN 06
		APVD	K. BETSUI	19 JAN 06
MATERIAL		PRODUCT SPEC		
PBT G		108-5426		
		APPLICATION SPEC		
		取付適用規格		
		WEIGHT		
		-		
		SIZE	A2	
		CAGE CODE	00779	
		DRAWING NO.	G-917319	
		RESTRICTED TO	-	
		SCALE	5:1	
		SHEET	1	OF 1
		REV	C2	