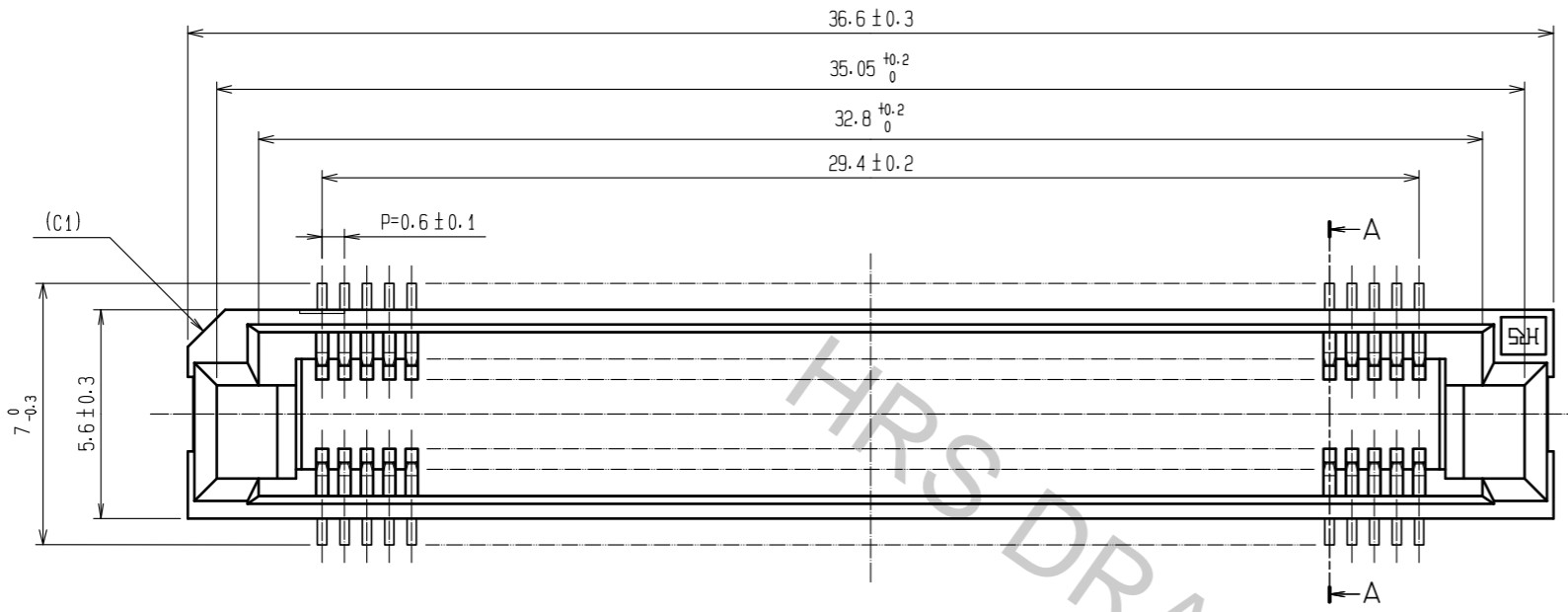
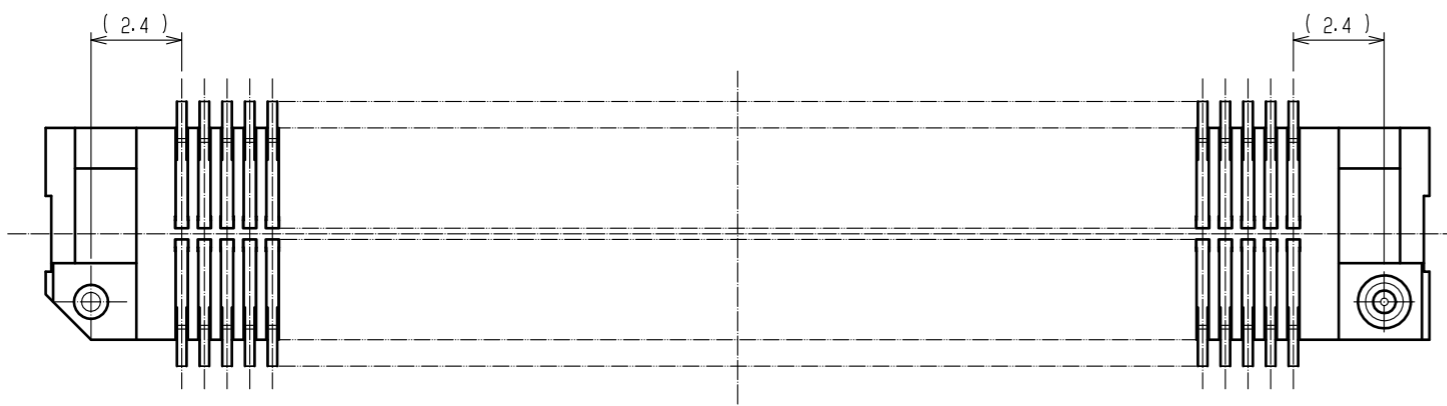
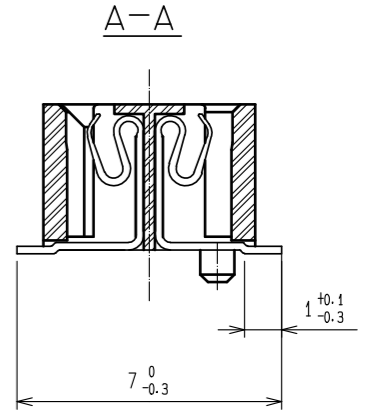
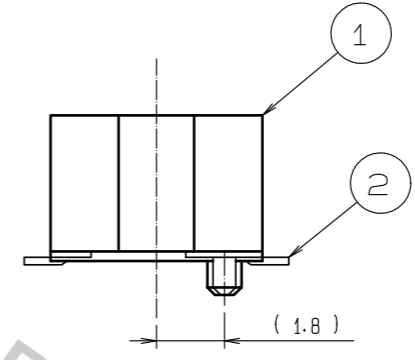
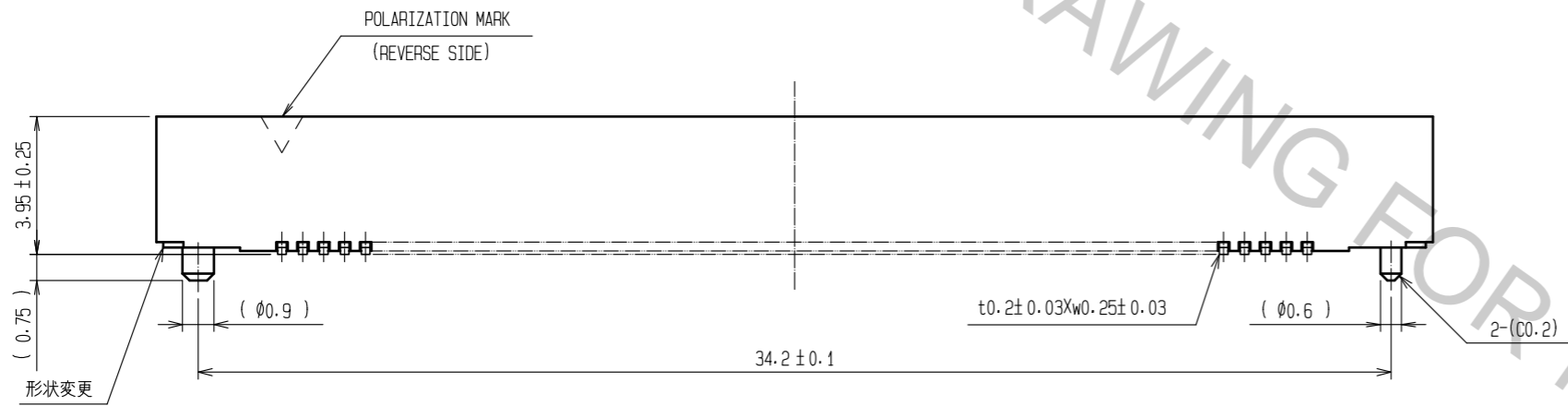
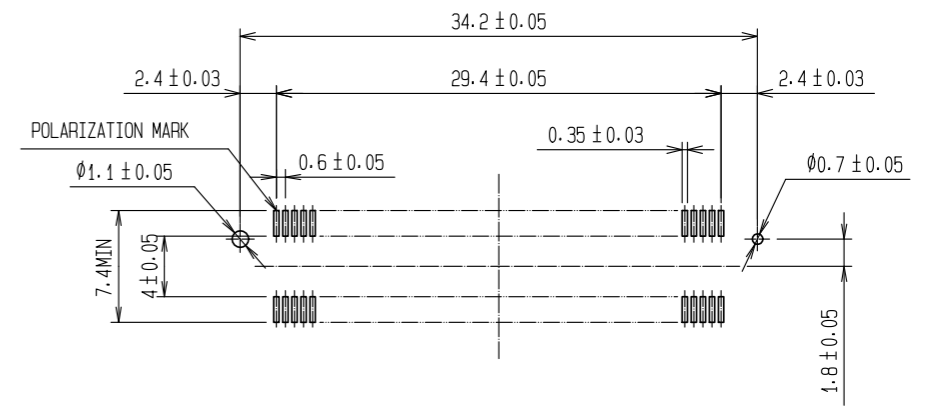


Aug.1.2018 Copyright 2018 HIROSE ELECTRIC CO., LTD. All Rights Reserved.  
 In case that the application demands a high level of reliability, such as automotive,  
 please contact a company representative for further information.



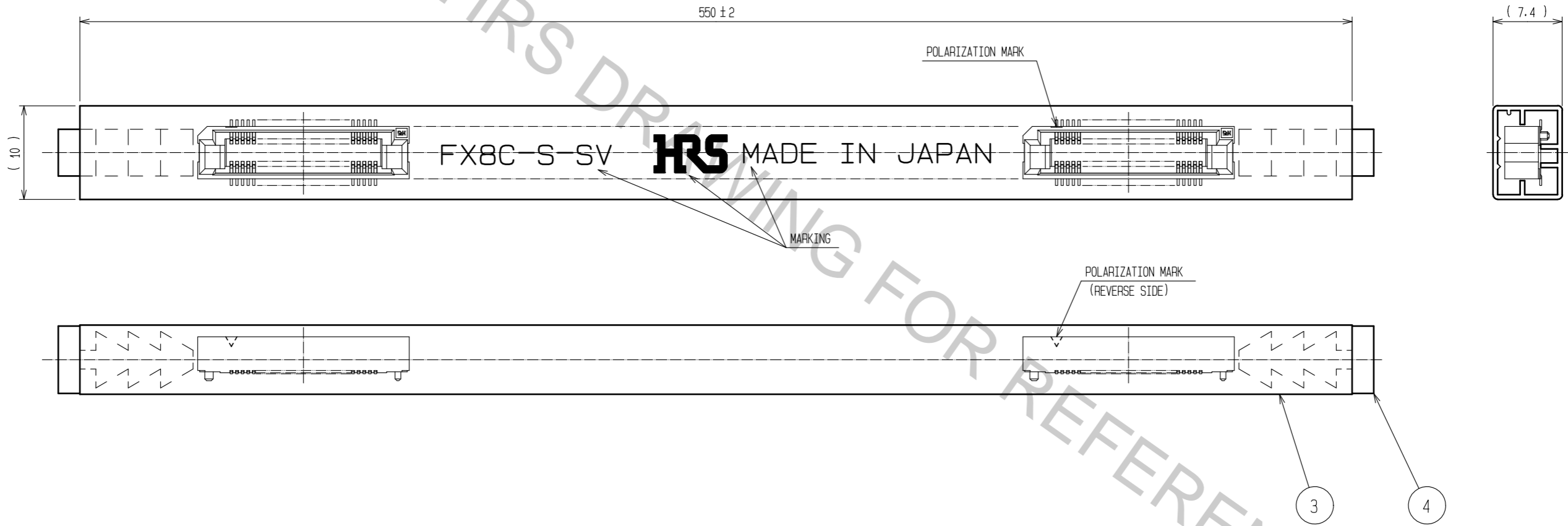
RECOMMENDED LAND PATTERN DIMENSION OF PCB (MOUNTING SIDE) (2:1)



- NOTE 1. LEAD CO-PLANARITY SHALL BE 0.1mm MAX.  
 2. TUBE PACKAGING SHALL BE APPLIED FOR THIS PRODUCT.  
 SEE NEXT PAGE FOR DETAILS.  
 3. FOR MODIFICATION, ETC., PREVENTIVE HOLE FOR SINK MARK  
 MAY BE ADDED ACCORDING TO CIRCUMSTANCES.  
 4. THE DIMENSIONS IN PARENTHESES ARE FOR REFERENCE.

2	PHOSPHOR BRONZE	CONTACT AREA:GOLD 0.1µm min. LEAD AREA:GOLD FLASH UNDER PLATING:NICKEL 1.5µm min.	4	ELASTOMERS	STOPPER
1	POLYPHENYLENE SULFIDE	LIGHT BROWN (UL94V-0)	3	POLYVINYL CHLORIDE	TUBE
NO.	MATERIAL	FINISH . REMARKS	NO.	MATERIAL	FINISH . REMARKS
UNITS mm		SCALE 5 : 1	COUNT 	DESCRIPTION OF REVISIONS	
<b>HRS</b> HIROSE ELECTRIC CO., LTD.		APPROVED : NH. NAKATA 18.02.28	DESIGNED	DESIGNED	
		CHECKED : HT. YAMAGUCHI 18.02.28	CHECKED	CHECKED	
		DESIGNED : TY. EDAGAWA 18.02.28	DATE	DATE	
		DRAWN : MK. INOUE 18.02.23			
			DRAWING NO.	EDC-150883-68-00	
			PART NO.	FX8C-100S-SV(68)	
			CODE NO.	CL578-0805-3-68	

DRAWING FOR PACKING(FREE)



NOTE 1. 1 TUBE : 14 CONNECTORS.  
 2. THE DIMENSIONS IN PARENTHESES ARE FOR REFERENCE.

<b>HRS</b>	DRAWING NO.	EDC-150883-68-00
	PART NO.	FX8C-100S-SV(68)
	CODE NO.	CL578-0805-3-68
		2/2

Aug.1.2018 Copyright 2018 HIROSE ELECTRIC CO., LTD. All Rights Reserved.  
 In case that the application demands a high level of reliability, such as automotive,  
 please contact a company representative for further information.