

WALLMOUNT - SERIES

BUL10136

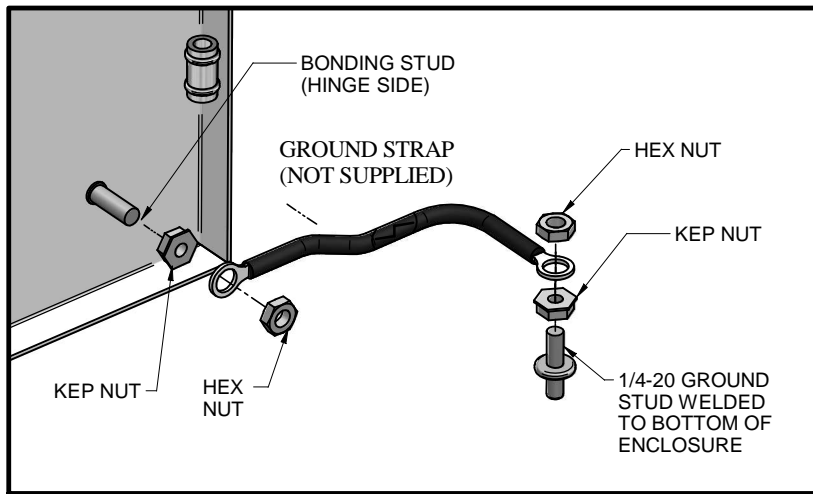
REV. D

ASSEMBLY INSTRUCTIONS FOR EN4SD, EN4TD, EN4SDSS, EN4DSC, CN4SB, CN4ST

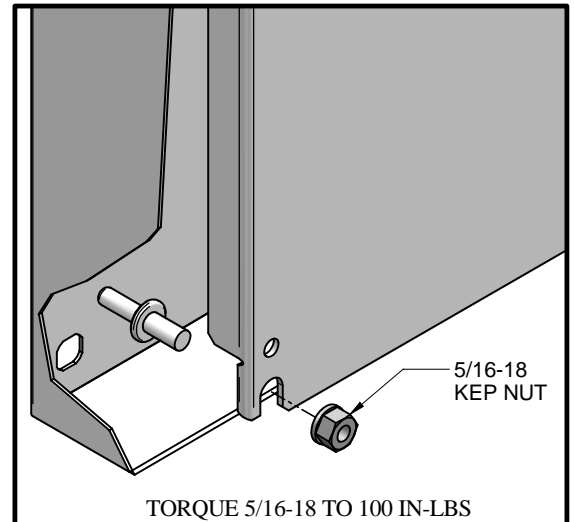
NOTES:

- A) TO MOUNT ENCLOSURE USING INTERNAL HOLES, MAKE SURE SURFACE IS FLAT, OR SHIM TO SUITE. USE HEX HEAD BOLT AND SEALING WASHER (RUBBER SIDE TO CONTACT AGAINST ENCLOSURE)
- B) TORQUE 3/8-16 TO 180 IN-LBS, AND 1/4-50 TO 50 IN-LBS.

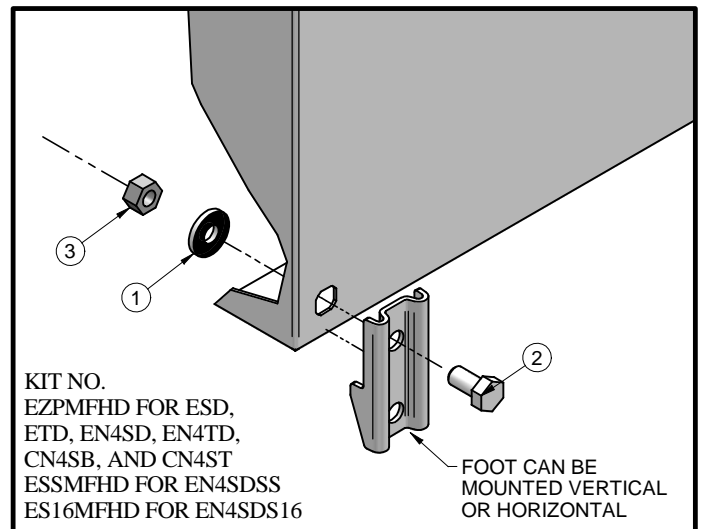
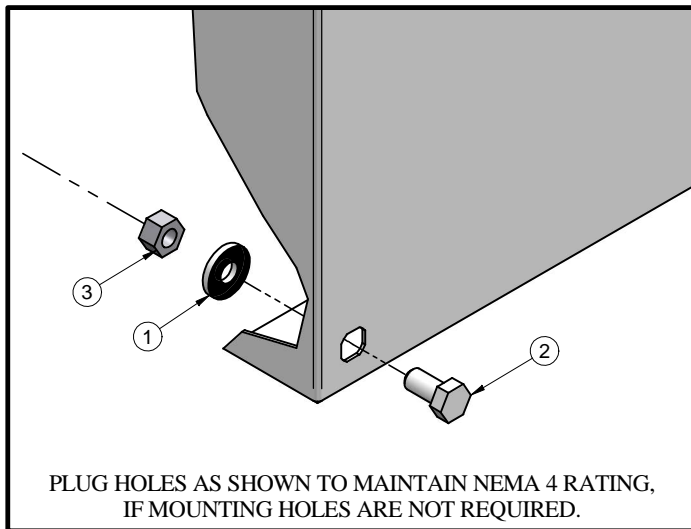
GROUND HARDWARE KIT



INNER PANEL DETAIL FOR CN4SB & CN4ST (ORDER SEPERATLY FOR ESD, ETD, EN4TD, EN4SDSS & EN4DSC)





OPTIONAL MOUNTING FOOT



Mounting Foot kits are required to maintain NEMA 4/4X, UL and CSA external mounting requirement:

HARDWARE LIST SUPPLIED WITH ENCLOSURE

TOOL BOX	3/8, 7/16, 1/2 & 9/16 Socket Wrench
	

Part #	Project
1	SEALING WASHER
2	SCREW 3/8-16 X 3/4 CAP ZP
3	NUT 3/8-16 HEX ZP

Part No.	Material
EZPMFHD	Mild Steel (4)
ESSMFHD	Type 304 Stainless (4X)
ES16MFHD	Type 316 Stainless (4X)

