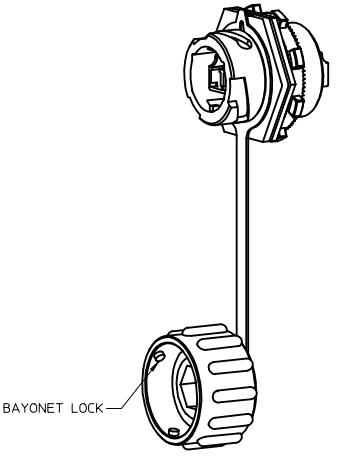
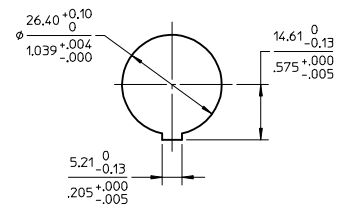


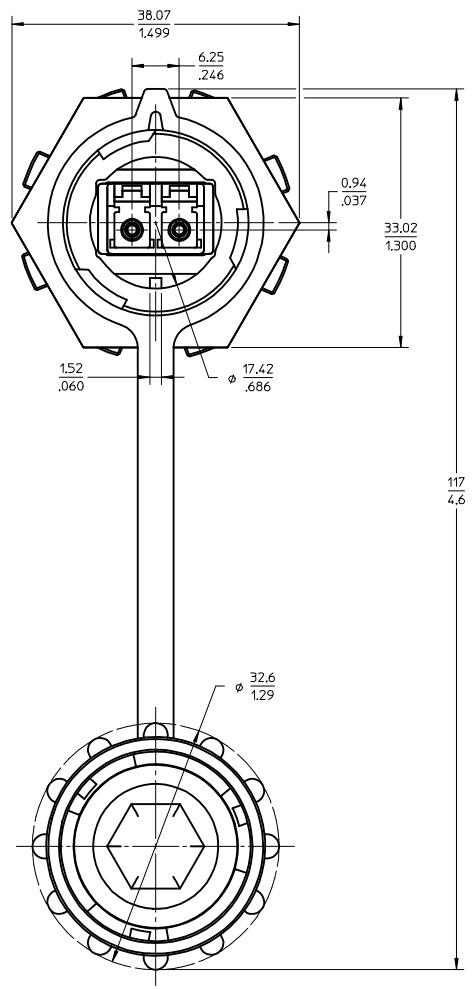
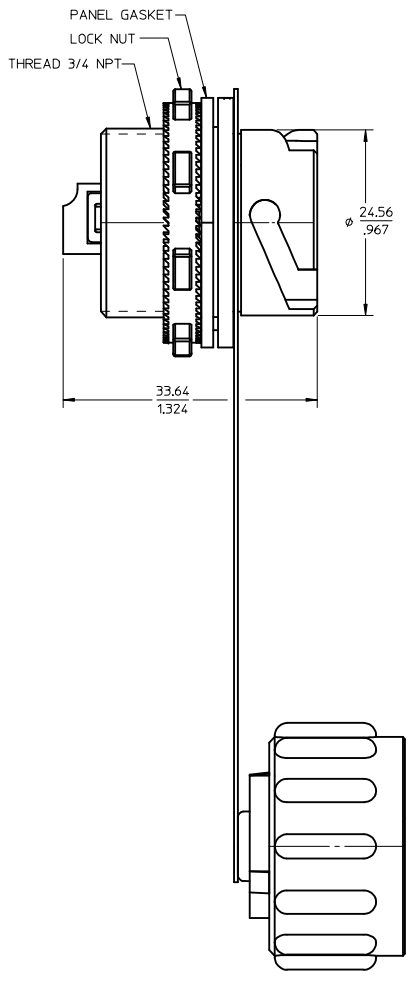
ADAPTER P/N	VERSION	CABLE TYPE
1060597250	WITH LOGO	MULTIMODE
1060597450	WITHOUT LOGO	MULTIMODE
1060597650	WITH LOGO	SINGLE MODE
1060597850	WITHOUT LOGO	SINGLE MODE



ISOMETRIC VIEW
SCALE 1:1



RECOMMENDED PANEL THICKNESS: .060"(1.5mm) - .312"(7.9mm)
RECOMMENDED MOUNTING CUTOUT
SCALE 1 : 1



NOTE:

1. ALL DIMENSIONS ARE FOR REFERENCE ONLY.
2. ADAPTER ASSEMBLY AND ITS COMPONENTS ARE COMPLIANT WITH EU DIRECTIVE 2002/95/EC ON THE RESTRICTION OF THE USE OF HAZARDOUS SUBSTANCES IN ELECTRICAL AND ELECTRONIC EQUIPMENT (RoHS).

ENTER DESCRIPTION EC NO: MF2013-0307 DRAWN: SADAUSKIENE 2012/11/27 CHKD: APPR: WCHEN 2012/12/04 DESCRIPTION	QUALITY SYMBOLS	GENERAL TOLERANCES (UNLESS SPECIFIED)	DIMENSION STYLE	SCALE	DESIGN UNITS	THIRD ANGLE PROJECTION																											
	▽=0 ▽=0	<table border="1"> <thead> <tr> <th></th> <th>mm</th> <th>INCH</th> </tr> </thead> <tbody> <tr> <td>4 PLACES</td> <td>± ---</td> <td>± ---</td> </tr> <tr> <td>3 PLACES</td> <td>± ---</td> <td>± ---</td> </tr> <tr> <td>2 PLACES</td> <td>± ---</td> <td>± ---</td> </tr> <tr> <td>1 PLACE</td> <td>± ---</td> <td>± ---</td> </tr> </tbody> </table>		mm	INCH	4 PLACES	± ---	± ---	3 PLACES	± ---	± ---	2 PLACES	± ---	± ---	1 PLACE	± ---	± ---	<table border="1"> <thead> <tr> <th colspan="2">MM/IN</th> </tr> </thead> <tbody> <tr> <td>DRAWN BY</td> <td>DATE</td> </tr> <tr> <td>L.SADAUSKAS</td> <td>2007/11/12</td> </tr> <tr> <td>CHECKED BY</td> <td>DATE</td> </tr> <tr> <td>APPROVED BY</td> <td>DATE</td> </tr> <tr> <td>B. ANDREI</td> <td></td> </tr> </tbody> </table>	MM/IN		DRAWN BY	DATE	L.SADAUSKAS	2007/11/12	CHECKED BY	DATE	APPROVED BY	DATE	B. ANDREI		TITLE ADAPTER ASSEMBLY, METAL BODY INDUSTRIAL LC W/PLASTIC DUST COVER	MOLEX INCORPORATED	SHEET NO. 1 OF 1
		mm	INCH																														
	4 PLACES	± ---	± ---																														
3 PLACES	± ---	± ---																															
2 PLACES	± ---	± ---																															
1 PLACE	± ---	± ---																															
MM/IN																																	
DRAWN BY	DATE																																
L.SADAUSKAS	2007/11/12																																
CHECKED BY	DATE																																
APPROVED BY	DATE																																
B. ANDREI																																	
DRAFT WHERE APPLICABLE MUST REMAIN WITHIN DIMENSIONS	ANGULAR ±1/2°	MATERIAL NO. SEE TABLE	DOCUMENT NO. SD-106059-7X50	THIS DRAWING CONTAINS INFORMATION THAT IS PROPRIETARY TO MOLEX INCORPORATED AND SHOULD NOT BE USED WITHOUT WRITTEN PERMISSION																													