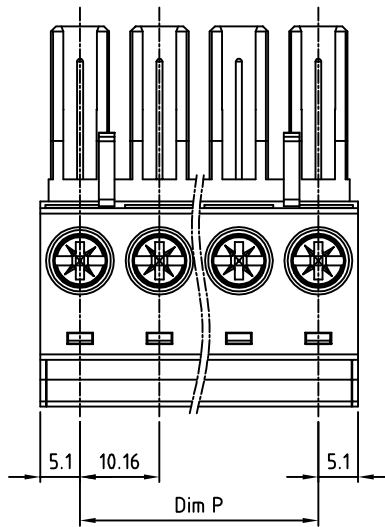


SIGN	DATE	DESCRIPTION	APPROVER

THIS IS CAD DRAWING, DO NOT REVISE MANUALLY!!!



- Material:
- Insulator(housing): Thermoplastic (UL94V-0)
 - Terminal Body: Brass
 - Contact: PhBz.
 - Wire guard: Stainless steel
 - Terminal Screw: Steel zinc plated.

- Electrical: UL
- Voltage rating: 300 V
 - Current rating: 32 A
 - Wire range:
 - Solid wire(AWG): 8-24
 - Stranded wire(AWG): 8-24
 - Torque: 7 Lb-In
 - Screw: M3.5
 - Wire strip length: 7-8 mm
 - Withstanding Voltage: 2.2KV
 - Operating temperature: -33°C to +105°C
 - Safety Approval: US

RoHS Compliant

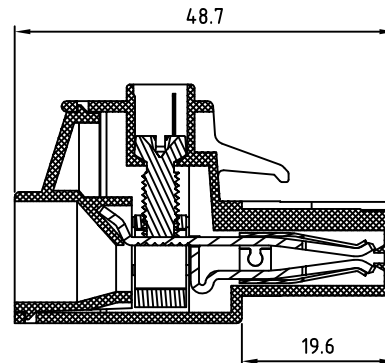
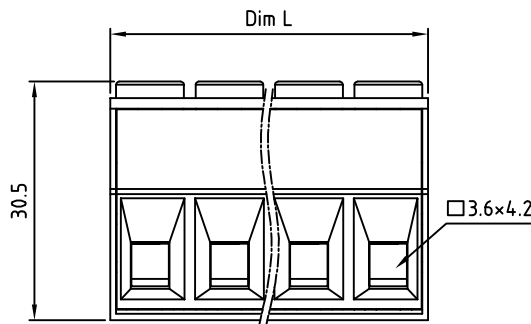
PART NUMBER:

OSTETXX0250

No. of Poles
 02 2 Poles
 03 3 Poles

 16 16 Poles

COLOR
 0: Black
 5: Green (Standard)
 6: Blue
 8: Grey



POLE		2	3	4	5	6	7	8
A		15.24	22.86	30.48	38.10	45.72	53.34	60.96
B		7.62	15.24	22.86	30.48	38.10	45.72	53.34
Tol.		±0.10			±0.15			
POLE	9	10	11	12	13	14	15	16
A	68.58	76.20	83.82	91.44	99.06	106.68	114.30	121.92
B	60.96	68.58	76.20	83.82	91.44	99.06	106.68	114.30
Tol.	±0.20				±0.30			



TITLE	OSTET-7.62 Series						
PART NO.	OSTETXX0250			DWG NO.	OSTETXX0250.DWG		
APPROVED	CHECKED	DESIGNED	DRAWN	CUST NO.	Tolerance		
		Tony 2007.03.09	Tony 2007.03.09		UNIT: mm	X.	±0.50
					SCALE: NONE	X.X	±0.30
				SHEET: 01/01	REV: A	X.XX	±0.10
						X°	±1°