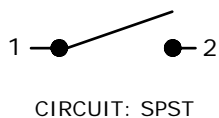
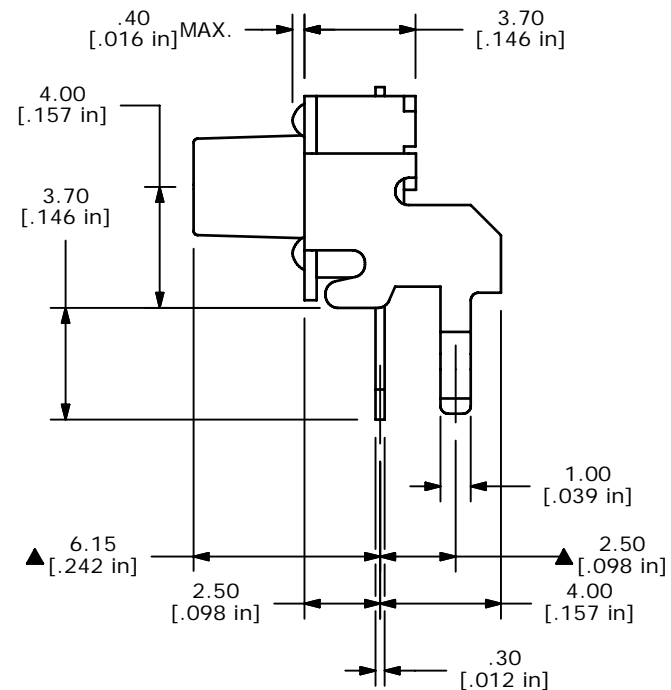
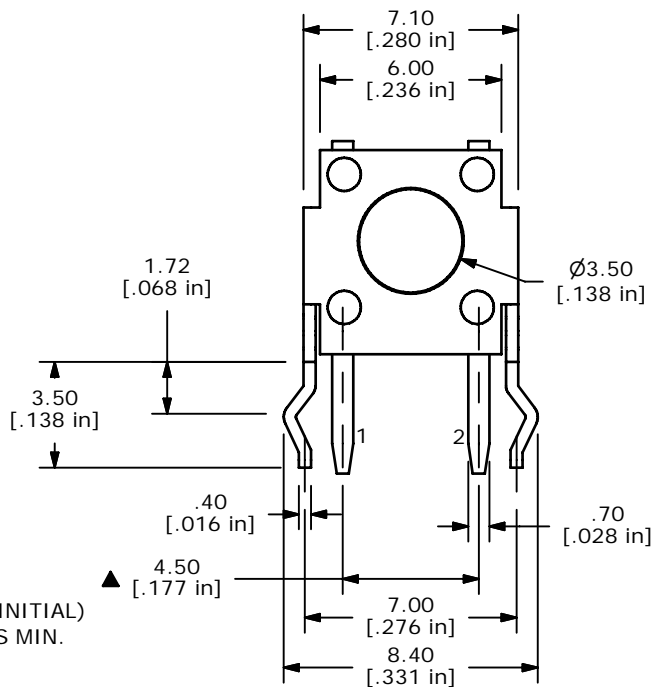


ISOMETRIC





- NOTES:
1. ALL DIMENSIONS IN MM
 2. GENERAL TOLERANCE: X.X=±0.4
X.XX=±0.25
 3. TERM. NOS. FOR REFERENCE ONLY.
 4. RATING: 12VDC, 50mA
 - ▲ 5. OPERATING FORCE: 160 ± 50 gms
 6. TRAVEL: 0.25 +0.2/-0.1 mm
 7. CONTACT RESISTANCE: 50 MILLI OHMS MAX. (INITIAL)
 8. MECHANICAL/ELECTRICAL LIFE 100,000 CYCLES MIN.
 - ▲ 9. CONTACT MATERIAL: SILVER
 10. ▲ DENOTES CRITICAL PARAMETER
 11. 2002/95/EC (ROHS) COMPLIANT
 12. SOLDER PROFILE: 260C MAX FOR 8 SECONDS MAX, PREHEAT
PREHEAT 150C MAX FOR 60 SECONDS



B	18657	Added Note 12	9/18/09	rc
A	18601	RELEASED FOR PRODUCTION	7/31/09	BLR
REV	PCR NO	DESCRIPTION	DATE	BY

THE INFORMATION CONTAINED IN THIS DOCUMENT IS PROPRIETARY TO E-SWITCH AND IS NOT TO BE COPIED OR TRANSFERRED

 		TITLE TL1105RF160Q94VO		
SCALE	DATE	DR	DWG	REV
4:1	7/31/2009	BLR	P010389	B