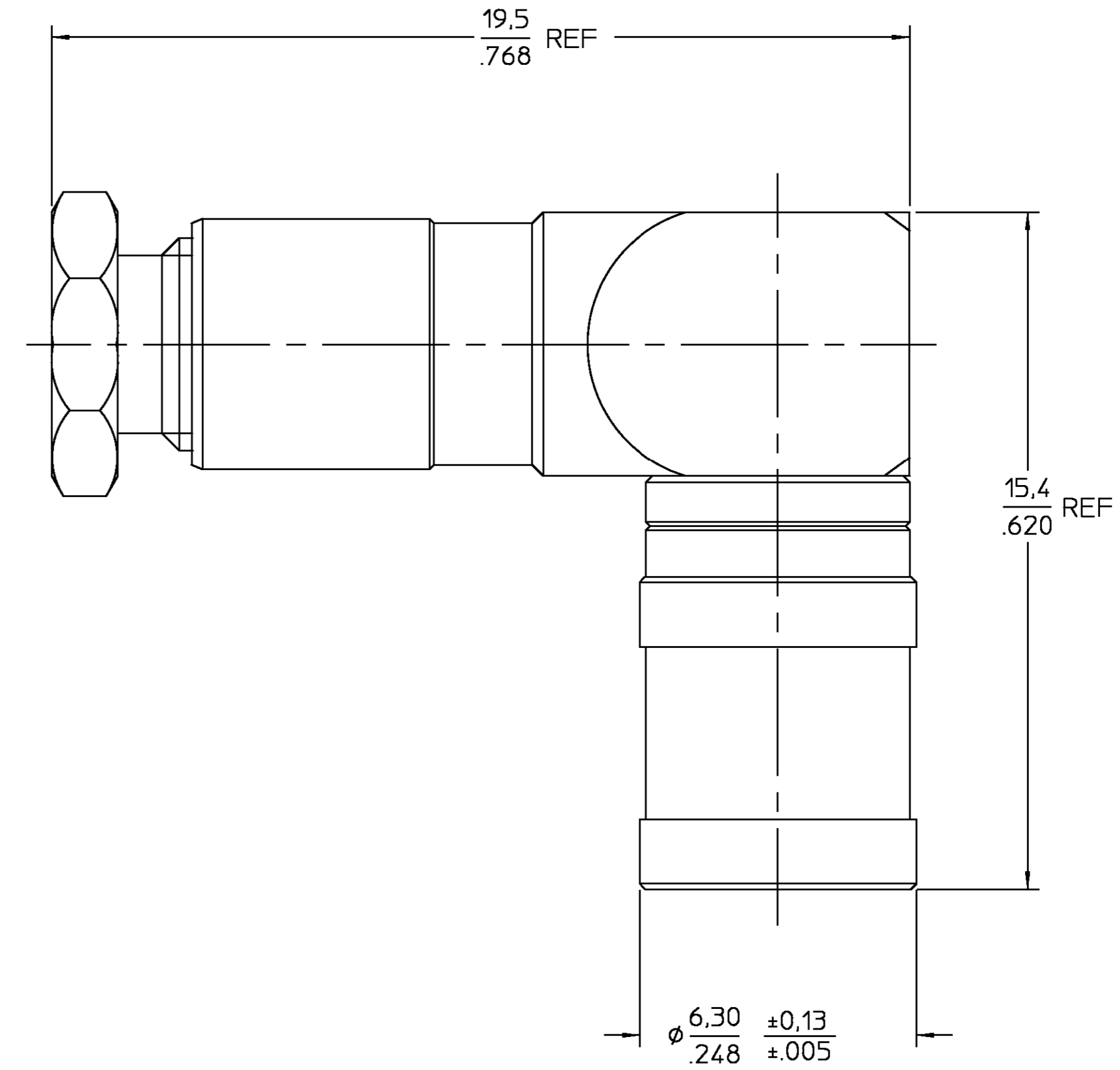
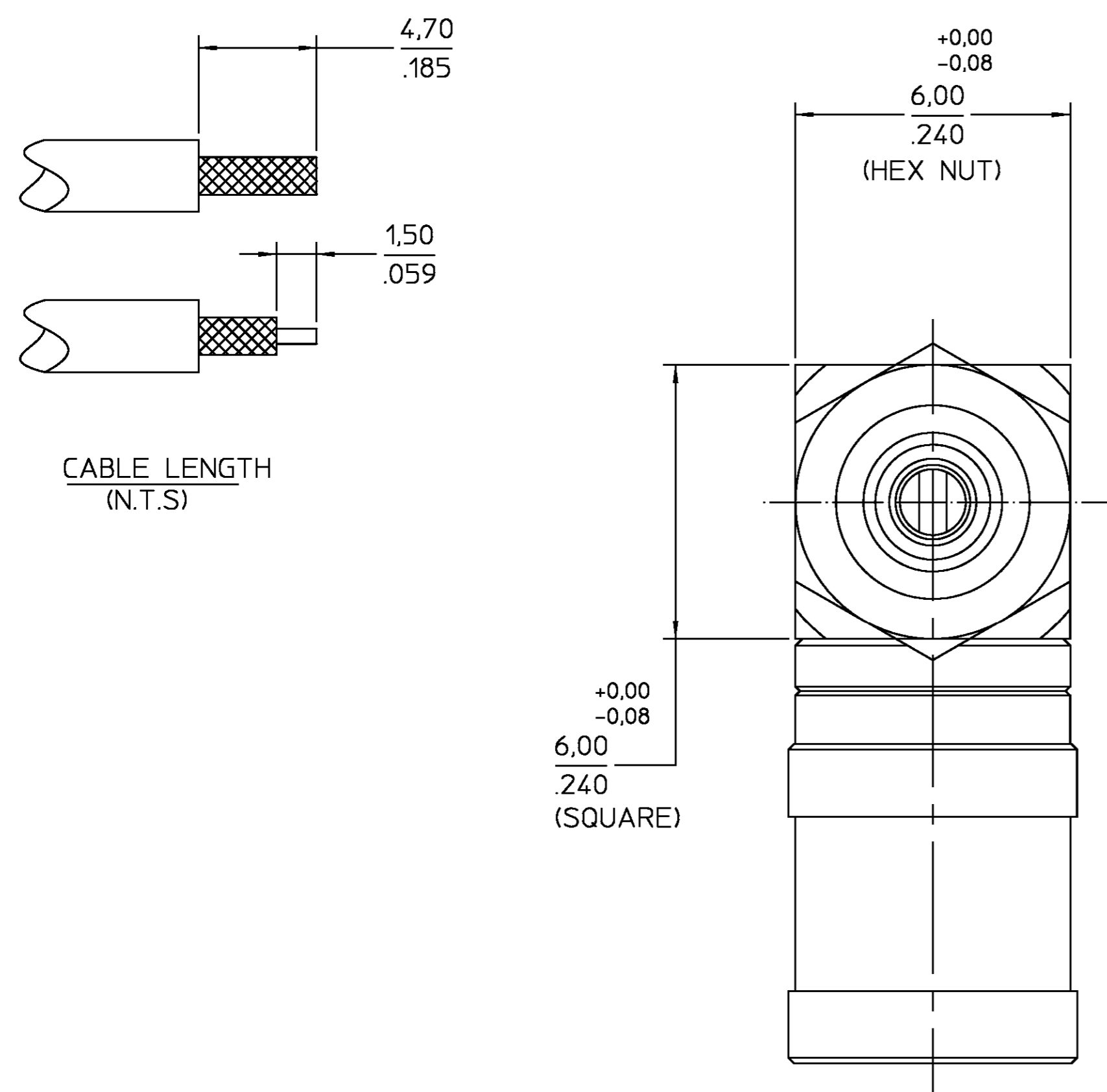


4 3 2 1

THIS DRAWING IS UNPUBLISHED. RELEASED FOR PUBLICATION
 © COPYRIGHT - BY TYCO ELECTRONICS CORPORATION. ALL RIGHTS RESERVED.

LOC	DIST	REVISIONS					
HC	00	P	LTR	DESCRIPTION	DATE	DWN	APVD
		0		RELEASE	06/18/01	VM	RR 08/27/01



COMPONENT	MATERIAL	FINISH
CLAMP NUT RETAINING RINGS PLUG HOUSING EXTRA HOUSING SLEEVES	BRASS PER ASTM-B-16, HALF HARD	GOLD PLATE PER MIL-G-45204
RETAINING RING FEMALE CONTACT	BERYLLIUM COPPER PER ASTM-B-196 OR ASTM-B-197, ALLOY C17300 COND H	
GASKET	SILICONE RUBBER PER ZZ-R-65	N/A
DIELECTRIC	PTFE FLUOROCARBON PER ASTM-D-1457	

NOTES:
 1. INSTRUCTION SHEET 408-8555

TM 3306, RG 174A/U, RG 188A/U, RG 316/U	1310818-1
CABLE TYPE	PART #

THIS DRAWING IS A CONTROLLED DOCUMENT.		DWN CPC 01-12-90	AMP Tyco Electronics Corporation Waltham MA. 02451-7599	
DIMENSIONS: MM/INCHES	TOLERANCES UNLESS OTHERWISE SPECIFIED:	CHK A. SMITH 01-12-90	NAME (B65B02G022X)	
	±0.20 MM	APVD A. SMITH 01-12-90	PRODUCT SPEC	
	±.008 IN		APPLICATION SPEC	
ANGLES ± 1°		WEIGHT	SIZE	CAGE CODE
			A2	26805
		CUSTOMER DRAWING	DRAWING NO	1310818
		SCALE	10:1	SHEET 1 OF 1
		REV	0	