

5

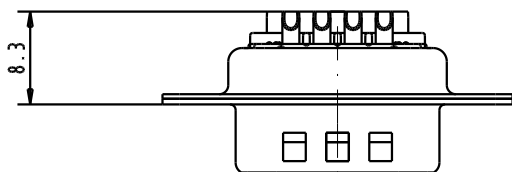
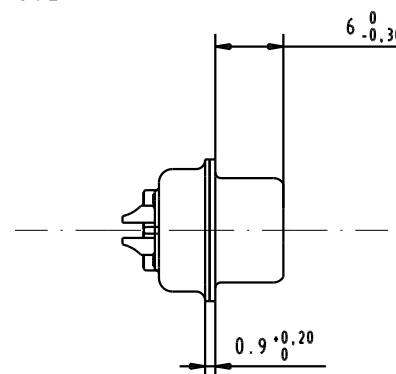
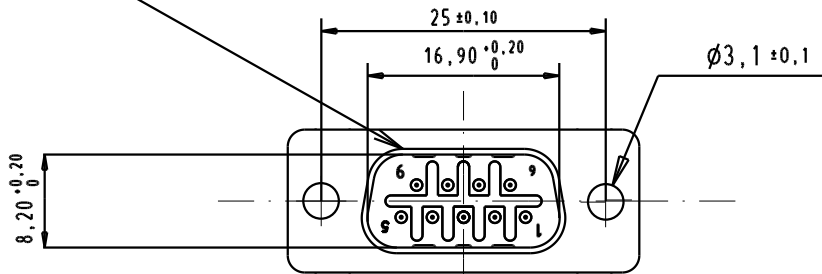
4

3

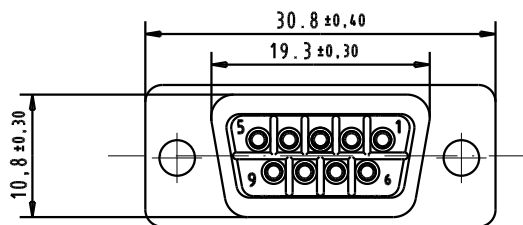
2

1

Mating face according to : MIL-C-24308 / DIN 41652 / CECC 75.01-802



- 1) Protection standard IP 67 according to IEC 529 / DIN 40050.
- 2) Cable: AWG 20 max



09 67 409 5615	Au plating 0,76 µm mini
Part Number	Performance Level

				Dat.	Name	<p>All Dim. in mm Orig. Size DIN A 4</p>	
				Detail.	10/10/03		S.H.
				Insp.			
				Stand.			
31559	10/10/03	S.H.	HARTING ELEKTRONIK F-95972 Paris				
Mod.	Dat.	Name					

D-SUB IP67 male 9 Poles straight solder cup		Moßstab/ Scale
TB 09 67 409 5615		Blatt/ Page
Sub.		