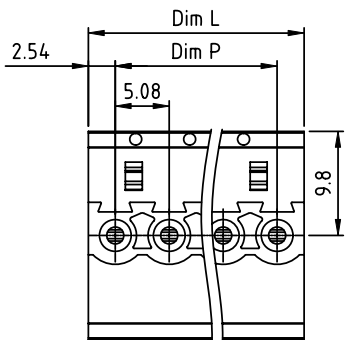
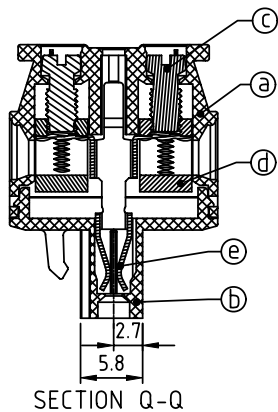
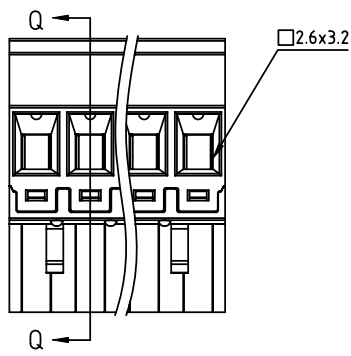
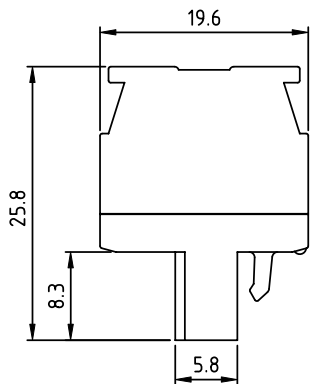
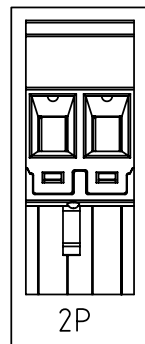
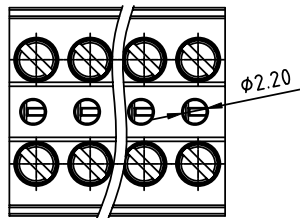


PRODUCT NUMBER	PITCH
K5xx51x000J0G	5.08 mm



Material:

- Item@ Terminal top housing: Thermoplastic (UL94V-0)
- Item@ Terminal bottom housing: Thermoplastic (UL94V-0)
- Item@ Terminal screw: Steel, Zinc plating "-" slot type
- Item@ Clamp: Brass, Ni plated
- Item@ Female contact: PhBz, Tin plated

Electrical

- Voltage rating: 300V
- Current rating: 12A
- Solid wire (AWG) : 12-24
- Stranded wire (AWG) : 12-24
- Torque (Lb-In) : 4.3
- Screw: M3
- Wire strip length: 6-7mm
- Withstanding Voltage: 1.6KV
- Operating temperature: -40°C to +115°C

cULus

N=Number of poles

Dim L	Nx5.08
Dim P	(N-1)x5.08

Poles	Tolerance
2p-6p	±0.15
7p-12p	±0.25
13p-18p	±0.35
19p-24p	±0.40

PART NO.: K5 xx 51 x 0 00J0 G

- | | | | | |
|--------------|---|-------|---------------------|-----------------|
| Solid block | 0 | Color | 0 Black (RAL9005) | RoHS compliant |
| No. of poles | 2 | | 1 Red (RAL3001/D) | (lead<4%) |
| 02 2 poles | 3 | | 2 Orange(RAL2011/P) | In copper Alloy |
| 03 3 poles | 4 | | 3 Yellow(RAL1018/A) | |
| ... | 5 | | 4 Green(RAL6018/T) | |
| 24 24 poles | 6 | | 5 Blue (RAL5015/A) | |
| | 8 | | 6 Grey(RAL7035/D) | |
| | 9 | | 7 White(RAL1102) | |
| | C | | 8 Green(RAL6018/U) | |

mat'l. code		surface ASME Y14.5	tolerance ASME Y14.5	projection	product family
ltr	ecn no	dr	date		TERMINAL BLOCK
				tolerances unless otherwise specified	title
				angles	TERMINAL BLOCK
				$X \pm 1^{\circ}$	PLUGGABLE PLUG
				scale	scale
				dr	dwg no
				enr	sheet 1 of 1
				chr	size
				appd	A4
				FCI logo	type
					CUSTOMER Drawing
sheet index	revision	A			
	sheet	1			