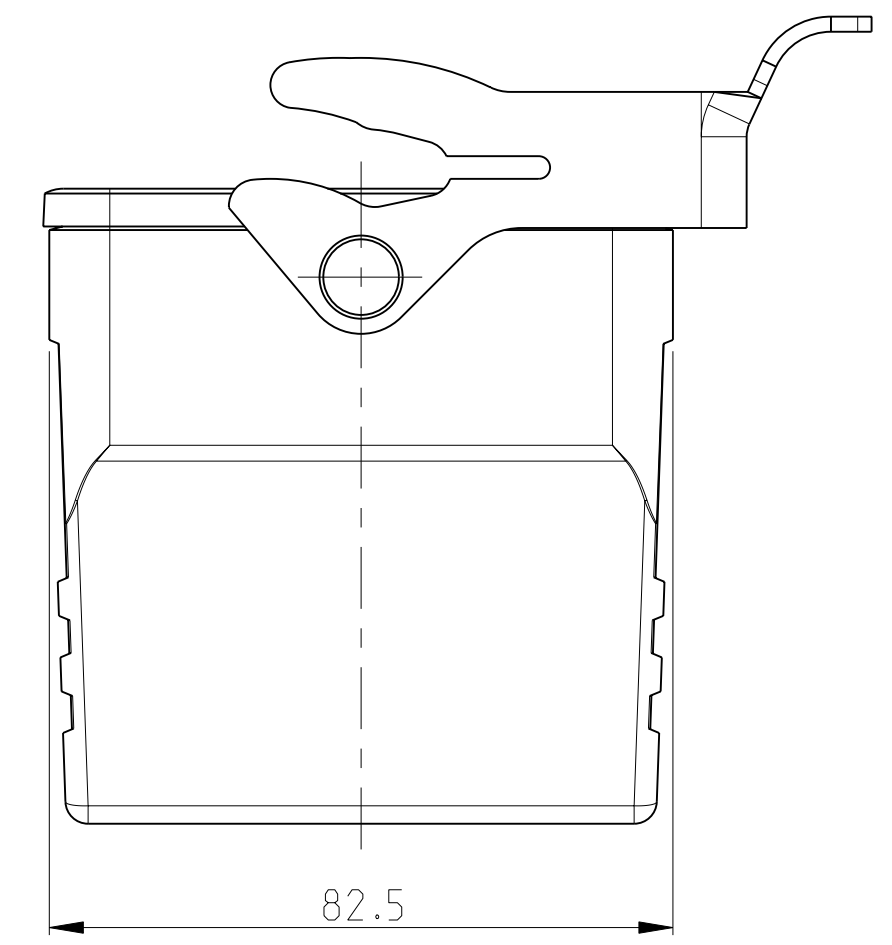
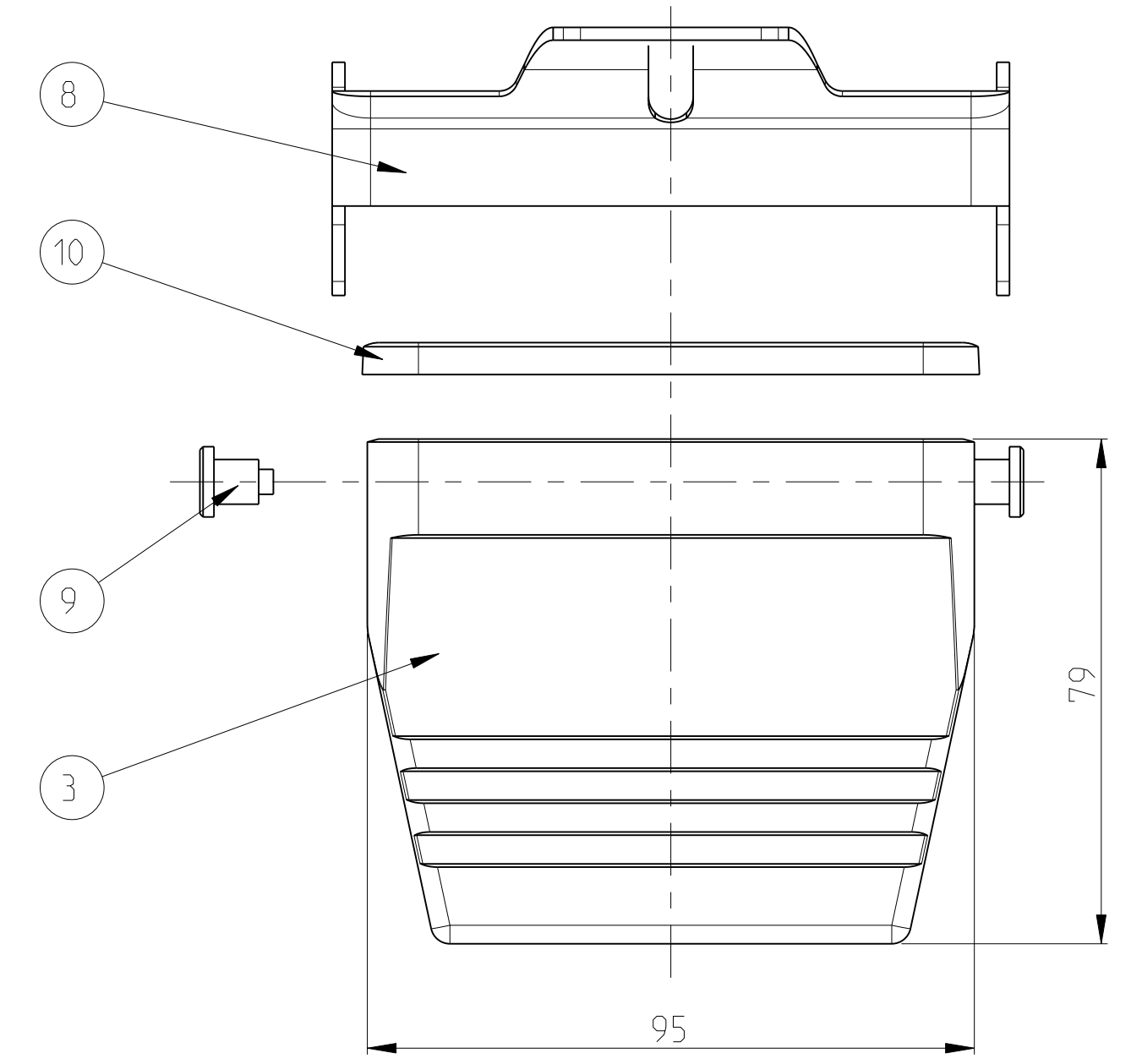
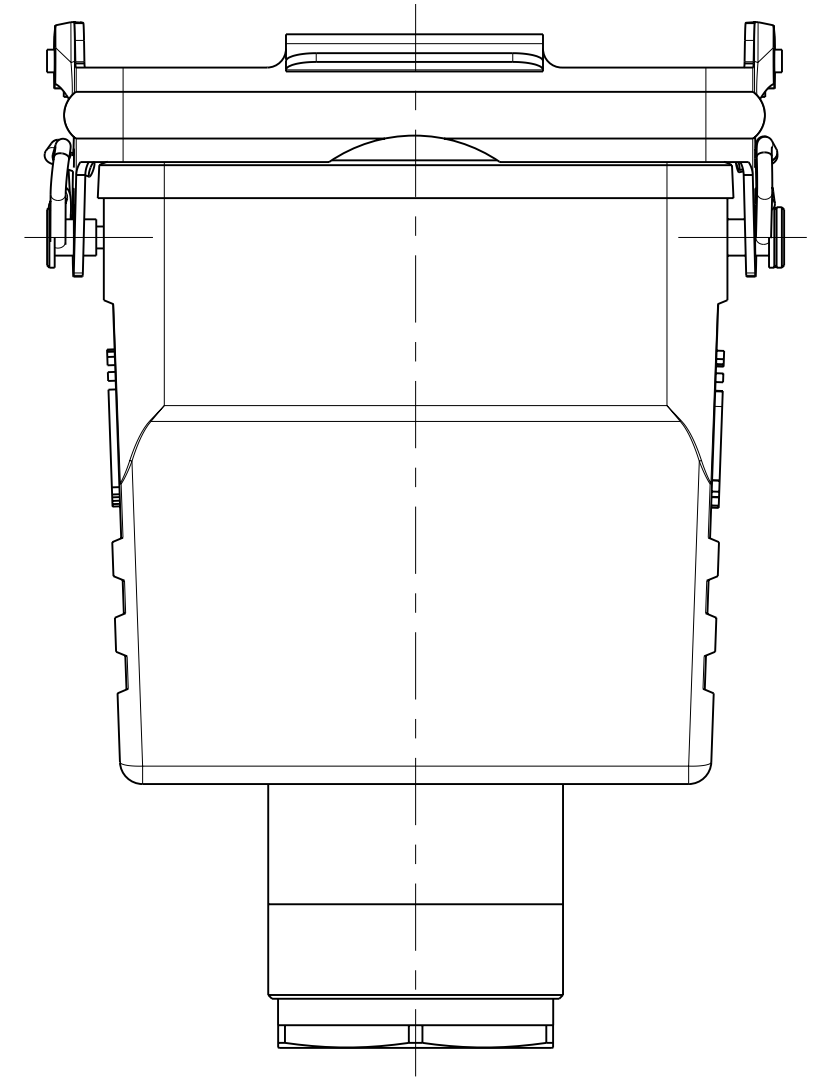
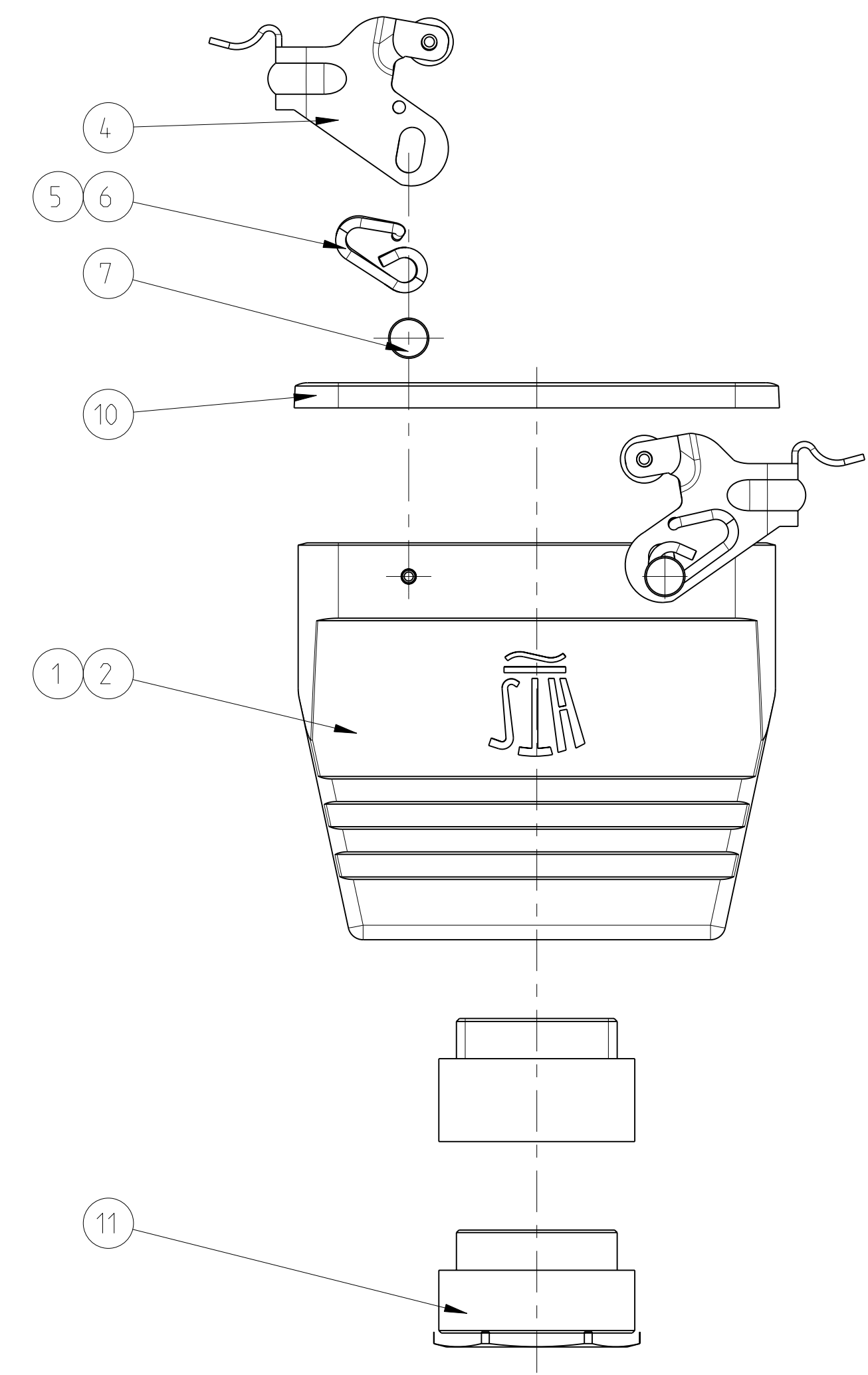


LOC	DIST	REVISIONS			
P	LTB	DESCRIPTION	DATE	DWN	APVD
A2		ECR-09-013545	02 JUN 2009	SR	AR



NOTES

- PART SHALL BE FREE AND CLEAN OF BURRS AND OTHER FOREIGN MATERIAL
- PACKAGING: QUANTITY 3 PIECES
- VARNISHING INSIDE HOUSING NOT REQUIRED

QTY	DESCRIPTION	MATERIAL	SURFACE	COLOR	ITEM	NOTES		
1	ADAPTOR ROUND	BRASS	NICKEL PLATED	BLUE	11	PG29		
1	PROFIL SEAL	NEOPRENE		BLACK	10			
2	CLIP POSITIONER	STEEL	ZINC PLATED	BLUE	9			
1	SIDE CLIP	STEEL	ZINC PLATED	BLUE	8			
4	CLIP POSITIONER	STEEL	ZINC PLATED	BLUE	7			
2	CLIP SPRING RIGHT	STEEL	ZINC PLATED	BLUE	6			
2	CLIP SPRING LEFT	STEEL	ZINC PLATED	BLUE	5			
2	SIDE CLIP	STEEL	ZINC PLATED	BLUE	4			
1	CABLE-TO-CABLE HOOD	ALUMINIUM		GREY	3			
1	CABLE-TO-CABLE HOOD	ALUMINIUM		GREY	2	NEUTRAL		
1	CABLE-TO-CABLE HOOD	ALUMINIUM		GREY	1			
0-2	0-1	1-1	DESCRIPTION	MATERIAL	SURFACE	COLOR	ITEM	NOTES
HB.32.KDO-VS.1.29								
HB.32.KDO-VS.1.29								
HB.32.KDO-LB.1.29								

DIMENSIONS: mm 		TOLERANCES UNLESS OTHERWISE SPECIFIED: 9 PLC ± 1 PLC ± 2 PLC ± 3 PLC ± 4 PLC ± ANGLES ±1° FINISH -		DWN: R.SCHNEIDER 02 JUN 2009 CHK: T.SCHNURPEIL 02 JUN 2009 APVD: -		Tyco Electronics Tyco Electronics AMP GmbH 53757 Sankt Augustin (Germany)	
MATERIAL: - FINISH: -		PRODUCT SPEC: - APPLICATION SPEC: -		NAME: CABLE-TO-CABLE HOOD HB.32.KDO-VS.1.29		SIZE: A 00779 CAGE CODE: C=1102357 DRAWING NO: - RESTRICTED TO: -	
CUSTOMER DRAWING				SCALE: 1:1		SHEET 1 OF 1 REV A2	