

NEW



0.2mm Pitch, 1mm Overall Height FPC Connector

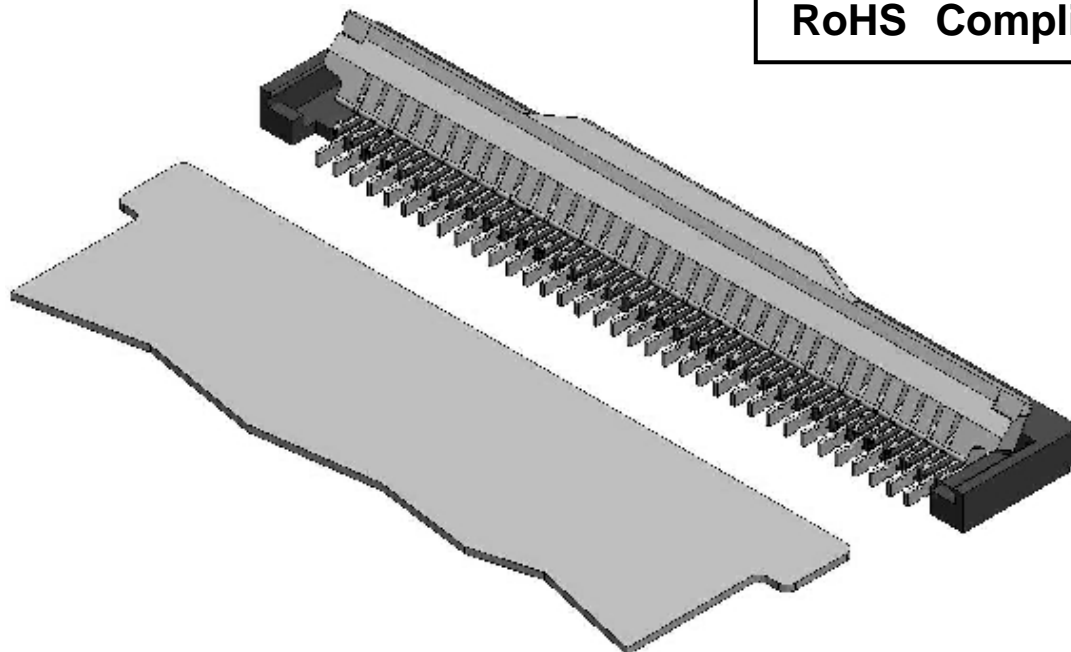
CONNECTOR

MB-0202-2

September 2009

FF08 Series

RoHS Compliant



The FF08 Series are slim, bottom contact 0.2mm narrow pitch FPC connectors ideally suited for portable devices with minimized mounting space, such as mobile phones.

Features

- 0.2mm narrow pitch, space saving FPC connector with 1mm overall height and 2.85mm depth.
- Applicable FPC thickness 0.15mm \pm 0.02mm, bottom contact, ZIF insertion type.
- Tab on FPC sides work to hold FPC in place while actuator closes and prevents mating misalignment.
- Excellent actuator operation.
- Friction lock structure for closed actuator.
- Area under connector, except terminal area, can be used for trace patterns.
- Pb-free, halogen-free compliant.
- Ni barrier layer is included as a solder diffusion countermeasure.

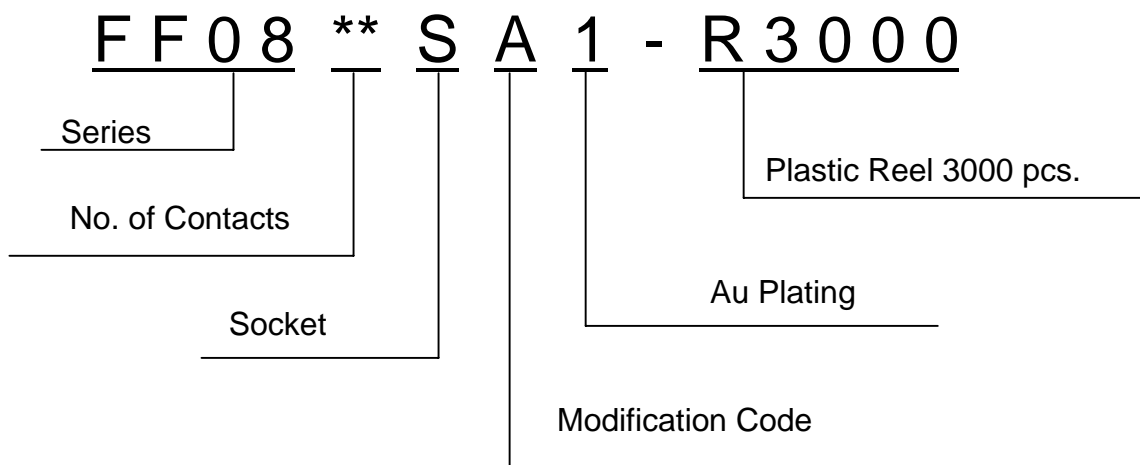
General Specifications

- | | |
|--|---|
| ■ No. of Contacts: 29, 41, 61, 71, 81 pos. | ■ Rated Current: DC 0.3A per pos. |
| ■ Contact Resistance: 70m ohm max. | ■ Rated Voltage: AC, DC 50V per pos. |
| ■ Dielectric Withstanding Voltage:
AC250Vr.m.s per minute | ■ Applicable FPC thickness: 0.15mm \pm 0.02mm |
| ■ Operating Temperature:
-40 Deg. C to +85 Deg. C | ■ Pitch: 0.2mm staggered pitch |
| ■ Durability: 20 mating cycles | |

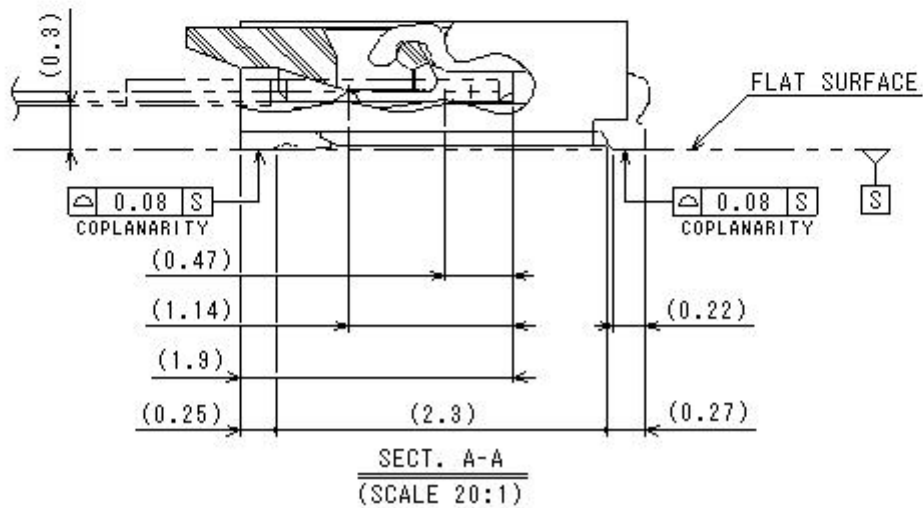
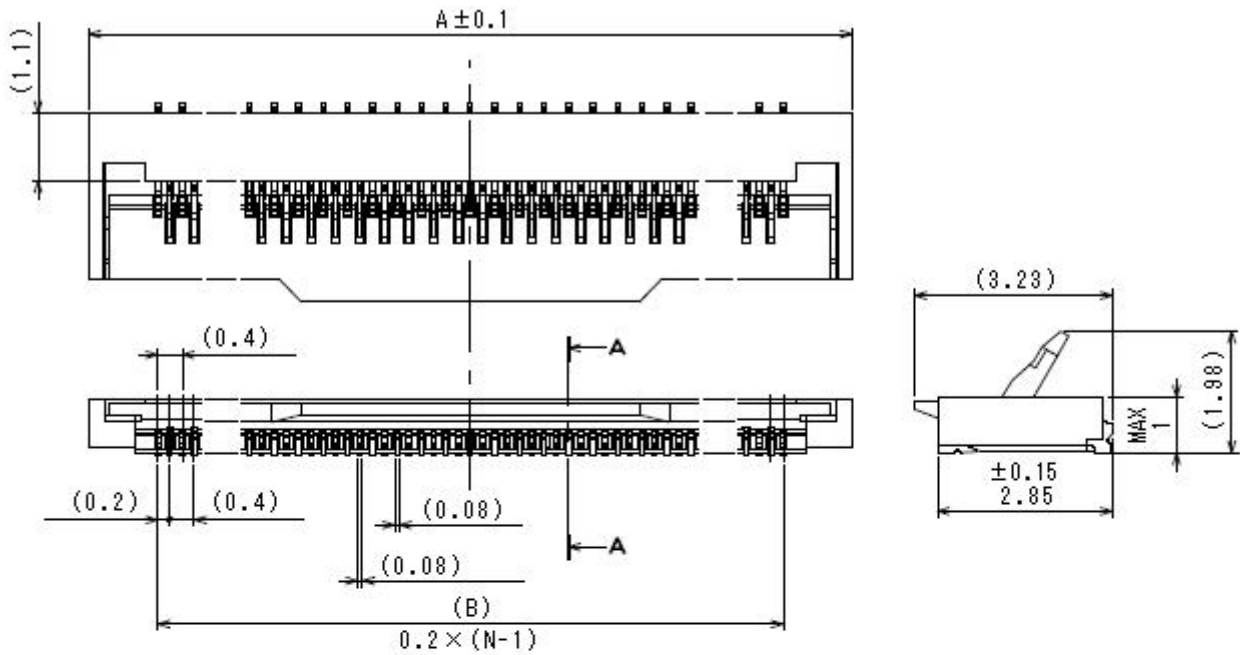
Materials and Finishes

Component	Material/Finish
Insulator	LCP (UL94V-0, Color: white, Halogen free)
Actuator	PPS (UL94V-0, Color: black, Halogen free)
Contact (2 types)	Copper alloy, Au plating over Ni Contact area: 0.1um min. Au plating Terminal area: 0.3um min. Au plating

Ordering Information

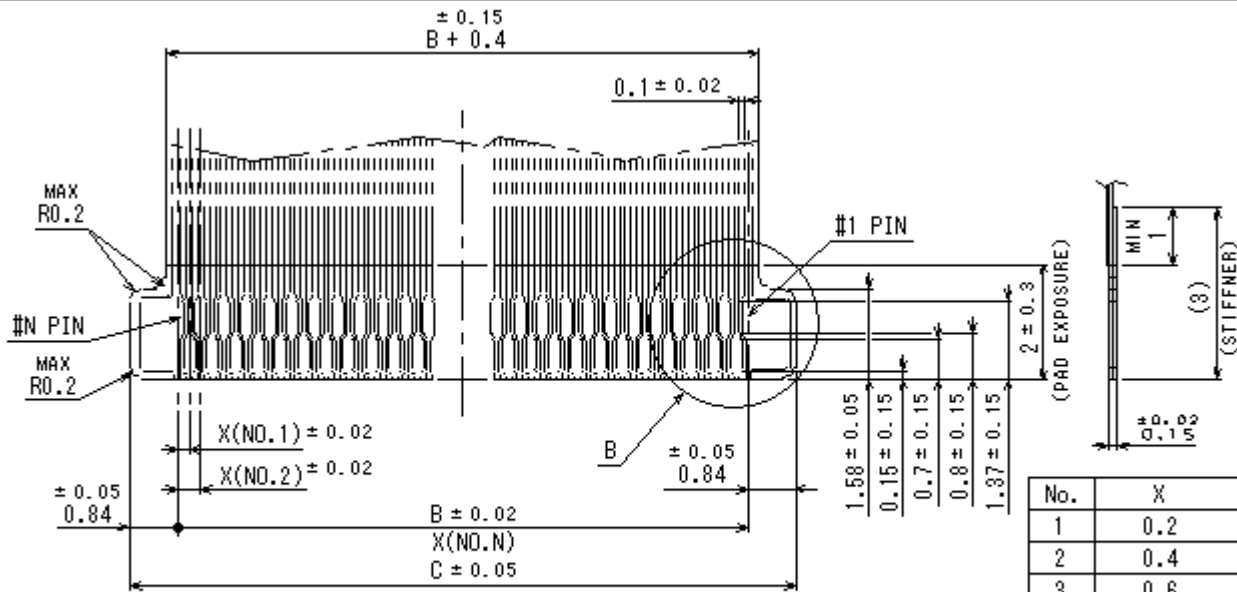


Part Number	FF08**SA1
SJ Drawing	SJ108178



No. of Contacts	Dimension A	Dimension B
29	7.85	5.6
41	10.25	8.0
61	14.25	12.0
71	16.25	14.0
81	18.25	16.0

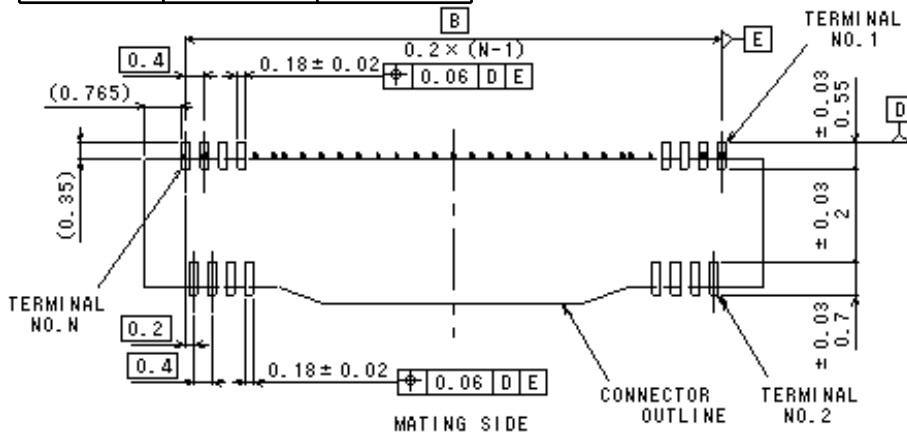
Unit: mm



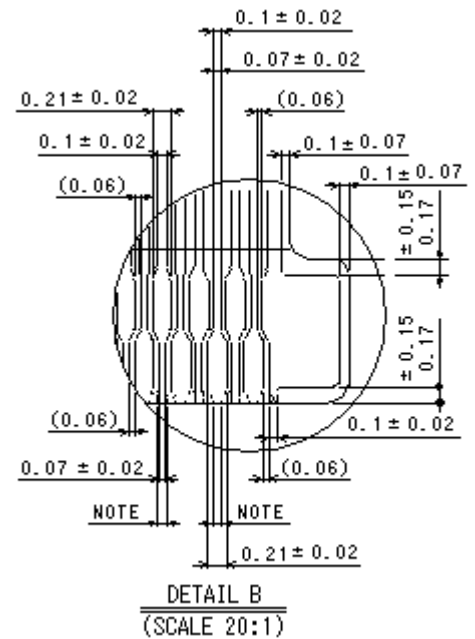
No.	X
1	0.2
2	0.4
3	0.6
:	:
:	:
N	0.2 × (N-1)

No. of Contacts	Dimension B	Dimension C
29	5.6	7.28
41	8	9.68
61	12	13.68
71	14	15.68
81	16	17.68

APPLICABLE FPC DIMENSION (REF.)
適合FPC寸法(参考)



APPLICABLE PCB DIMENSION (REF.)
適合基板寸法



Note) If there is no pattern abrasion, dimension for width is arbitrary.

Unit: mm

Japan Aviation Electronics Industry, Limited

Product Marketing Division
Aobadai Building, 3-1-19, Aobadai, Meguro-ku, Tokyo 153-8539
Phone: +81-3-3780-2787 FAX: +81-3-3780-2946

Notice: Products shown in this leaflet are made for the applications listed below. However, if the above-mentioned products are to be used in aerospace devices, marine cable-connection devices, atomic power control systems, medical equipment for life-support systems, or any other specific application requiring extremely high reliability, please contact JAE for further information.
Recommended applications: Computers, Office machines, Measuring devices, Telecommunication devices (Terminals, Mobile devices), AV devices, Household applications, FA devices, etc.