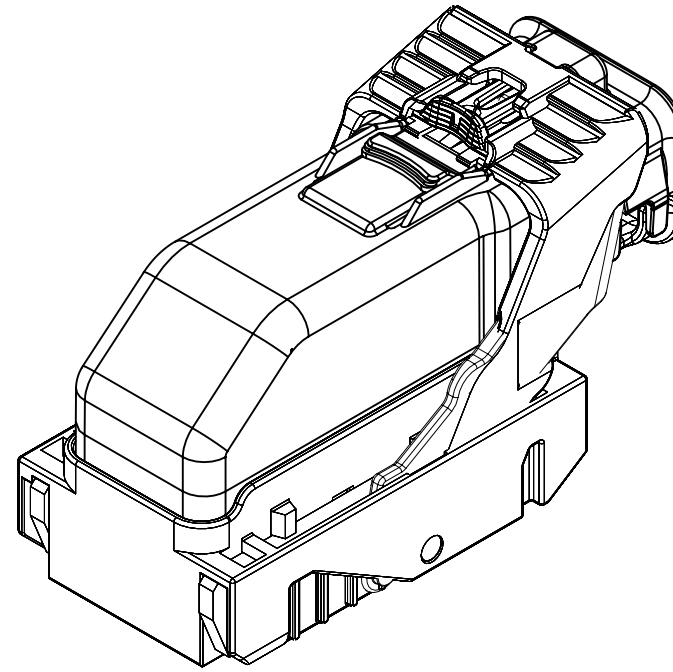

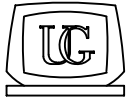


INDEX	
PAGE TITLE	PAGE
TITLE BLOCK	1
REVISION BLOCK	2
PART BLOCK	3
KPC BLOCK	4
COMPONENT TABLE	5
NOTES	6
NOTES	7
WIRE DRESS PACKAGING DIMENSIONS	8
LOCATION AND PACKAGING DIMENSIONS REFERENCING INTERFACE DATUMS B & C	9
LOCATION AND PACKAGING DIMENSIONS REFERENCING INTERFACE DATUM A	10
KEY ID REF - WIRE DRESS OPTION 0	11
KEY ID REF - WIRE DRESS OPTION 9	12
CIRCUIT CONFIGURATIONS	13
CIRCUIT CONFIGURATIONS	14
COMPONENT CONNECTOR INTERFACE	15
COMPONENT CONNECTOR INTERFACE	16
COMPONENT CONNECTOR INTERFACE	17
COMPONENT CONNECTOR INTERFACE	18
COMPONENT CONNECTOR INTERFACE	19
COMPONENT CONNECTOR INTERFACE	20
COMPONENT CONNECTOR INTERFACE	21




ISO VIEW

	<p><b>UNLESS OTHERWISE SPECIFIED:</b> THIS DOCUMENT IS IN ACCORDANCE WITH ASME Y14.5M-1994 AS AMMENDED BY THE GM GLOBAL DIMENSIONING AND TOLERANCING ADDENDUM-1997. ALL GEOMETRIC TOLERANCES AND RELATED DATUMS APPLY RFS. RULE #1 (PERFECT FORM AT MMC) DOES NOT APPLY WHEN A RELATIONSHIP BETWEEN FEATURES IS ESTABLISHED BY ORIENTATION OR LOCATION TOLERANCES. SEPARATE POSITION CALLOUTS MAY BE GAGED SEPARATELY REGARDLESS OF DATUM REFERENCES.</p>			DATE						
	 CHANGE RESTRICTED NO MANUAL CHANGES	REFERENCE 12H (MOLEX AUTOMOTIVE)	DRAFTER J SZYMKOWSKI APVD1 D PFAFFINGER APVD2 B BURT APVD3 APVD4 APVD5	22DE05 22DE05 22DE05    						
DO NOT SCALE	DRAWING NAME HARNESS CONN ASM 66/73/80 CKTS									
METRIC DIMENSIONS SHOWN IN MILLIMETERS UNLESS OTHERWISE SPECIFIED	DRAWING NUMBER 12642695		DWG STATUS <table border="1"> <tr> <th>ST</th> <th>REV</th> <th>PD1</th> </tr> <tr> <td>R</td> <td>002</td> <td></td> </tr> </table>		ST	REV	PD1	R	002	
ST	REV	PD1								
R	002									
			PAGE NUMBER 1 OF 21							

PAGE	DWG STATUS					REVISION HISTORY	AUTH	DR	CK	ENG
	DATE	ST	REV	CHG	PDI					
	19DE11	R	001			RELEASED TO PRODUCTION AT DLS A	CRMRJB	SC	MRO	GF
3	08MY15	R	002	A		REORDERED PART BLOCK AND ADDED MASS CORRECTED P/N TYPO FROM 12562676 TO 12582676				
3, 5		R	002	B		ADDED 12659312, 12659313, 12653574 AND 12653575				
6		R	002	C		REMOVED NOTE 1 . D . 3 . C				
20		R	002	D		DIM 125 WAS 3.25 DIM 131 WAS 5.5	CRMRJD	DFK	MRO	GF

PAGE	DWG STATUS					REVISION HISTORY	AUTH	DR	CK	ENG
	DATE	ST	REV	CHG	PDI					

	PAGE TITLE	DRAWING NUMBER	DWG STATUS			PAGE NUMBER	
	REVISION BLOCK		12642695	ST	REV	PDI	2 OF 21
				R	002		



KEY PRODUCT CHARACTERISTICS  
(IN ACCORDANCE WITH QN 1805 OR ON 1050)



SAFETY/COMPLIANCE

TOTAL ON  
DRAWING

5



FIT/FUNCTION

LAST NO.  
USED

5

NO	TYPE	DESCRIPTION	RATIONALE	PAGE/ZONE
1	F/F	32.68	IMPROVE CONNECTOR SYSTEM MATING	15
2	F/F	29.00	INSURE PROPER RELEASE OF LEVER	15
3	F/F	15.25	INSURE FINAL MATE POSITION	16
5	F/F	POSITIONAL TOLERANCE (2 PLACES)	INSURE CONNECTOR SYSTEM MATEABILITY	19



PAGE TITLE  
KPC BLOCK

DRAWING NUMBER

12642695

DWG STATUS

ST	REV	PD1
----	-----	-----

R	002	
---	-----	--

PAGE NUMBER

4 OF 21

LINE	MFG.	MFG. P/N	GM P/N	EFFECTIVE DATE	APPLICABLE COMPONENTS	KEY OPTION	WIRE DRESS OPTION	KEY CONFIG.	COLOR	STATUS
					DESCRIPTION					
-										
1	MOLEX	34565-0003	12582676	02JN03	MX123 DRESS COVER 66/73/80 CKT	N/A	N/A	N/A	BLACK	AVAILABLE
2	MOLEX	34822-0013	12642692	01SP13	MX123 HRNS CONN ASSY 66 CKT	A	0	1458	BLACK	AVAILABLE
3	MOLEX	34822-0033	12659312	01SP13	MX123 HRNS CONN ASSY 66 CKT	C	0	2467	BLUE	AVAILABLE
4	MOLEX	34822-0023	12642693	01SP13	MX123 HRNS CONN ASSY 66 CKT	A	9	1458	BLACK	AVAILABLE
5	MOLEX	34822-0043	12659313	01SP13	MX123 HRNS CONN ASSY 66 CKT	C	9	2467	BLUE	AVAILABLE
6	MOLEX	34566-0103	12582677	11JN04	MX123 HRNS CONN ASSY 73 CKT	A	0	1458	BLACK	AVAILABLE
7	MOLEX	34566-0203	12582678	11JN04	MX123 HRNS CONN ASSY 73 CKT	B	0	1468	ST GRAY	AVAILABLE
8	MOLEX	34566-0303	12615654	09AP08	MX123 HRNS CONN ASSY 73 CKT	C	0	2467	BLUE	AVAILABLE
9	MOLEX	34566-0403	12647268	T.B.D	MX123 HRNS CONN ASSY 73 CKT	D	0	2367	BROWN	NOT ACTIVE
10	MOLEX	34566-0503	AMJ28633	T.B.D	MX123 HRNS CONN ASSY 73 CKT	E	0	2468	GREEN	NOT ACTIVE
11	MOLEX	34566-0603	12653574	05DC14	MX123 HRNS CONN ASSY 73 CKT	F	0	1357	NATURAL	AVAILABLE
12	MOLEX	34566-0703	12588057	09AP08	MX123 HRNS CONN ASSY 80 CKT	G	0	1358	BLUE	AVAILABLE
13	MOLEX	34566-0803	12588058	11JN04	MX123 HRNS CONN ASSY 80 CKT	H	0	2458	ST GRAY	AVAILABLE
14	MOLEX	34566-0903	12615656	T.B.D	MX123 HRNS CONN ASSY 80 CKT	J	0	2457	BLACK	NOT ACTIVE
15	MOLEX	34566-1003	AMJ28595	T.B.D	MX123 HRNS CONN ASSY 80 CKT	K	0	2357	BROWN	NOT ACTIVE
16	MOLEX	34566-1103	AMJ29057	T.B.D	MX123 HRNS CONN ASSY 80 CKT	L	0	2368	GREEN	NOT ACTIVE
17	MOLEX	34566-1203	AMJ28669	T.B.D	MX123 HRNS CONN ASSY 80 CKT	M	0	2358	NATURAL	NOT ACTIVE
18	MOLEX	34566-1303	12603596	11JN04	MX123 HRNS CONN ASSY 73 CKT	A	9	1458	BLACK	AVAILABLE
19	MOLEX	34566-1403	12603597	11JN04	MX123 HRNS CONN ASSY 73 CKT	B	9	1468	ST GRAY	AVAILABLE
20	MOLEX	34566-1503	12615655	09AP08	MX123 HRNS CONN ASSY 73 CKT	C	9	2467	BLUE	AVAILABLE
21	MOLEX	34566-1603	12647269	T.B.D	MX123 HRNS CONN ASSY 73 CKT	D	9	2367	BROWN	NOT ACTIVE
22	MOLEX	34566-1703	AMJ28698	T.B.D	MX123 HRNS CONN ASSY 73 CKT	E	9	2468	GREEN	NOT ACTIVE
23	MOLEX	34566-1803	12653575	05DC14	MX123 HRNS CONN ASSY 73 CKT	F	9	1357	NATURAL	AVAILABLE
24	MOLEX	34566-1903	12603598	09AP08	MX123 HRNS CONN ASSY 80 CKT	G	9	1358	BLUE	AVAILABLE
25	MOLEX	34566-2003	12603599	11JN04	MX123 HRNS CONN ASSY 80 CKT	H	9	2458	ST GRAY	AVAILABLE
26	MOLEX	34566-2103	12615657	T.B.D	MX123 HRNS CONN ASSY 80 CKT	J	9	2457	BLACK	NOT ACTIVE
27	MOLEX	34566-2203	AMJ29117	T.B.D	MX123 HRNS CONN ASSY 80 CKT	K	9	2357	BROWN	NOT ACTIVE
28	MOLEX	34566-2303	AMJ29136	T.B.D	MX123 HRNS CONN ASSY 80 CKT	L	9	2368	GREEN	NOT ACTIVE
29	MOLEX	34566-2403	AMJ29214	T.B.D	MX123 HRNS CONN ASSY 80 CKT	M	9	2358	NATURAL	NOT ACTIVE
30	MOLEX	34736-2002	12642697	01AU10	MX64 RCPT TERM Ag 18/20 GAGE B (RIGHT PAYOFF)	N/A	N/A	N/A	N/A	AVAILABLE
31	MOLEX	34736-2001	12642696	01AU10	MX64 RCPT TERM Ag 22 GAGE B (RIGHT PAYOFF)	N/A	N/A	N/A	N/A	AVAILABLE
32	MOLEX	34586-0001	T.B.D.	11JN04	MX123 0.64MM GROMMET PLUG	N/A	N/A	N/A	NATURAL	AVAILABLE
33	YAZAKI	7116-4150-02	12588066	02JN03	2.8mm YESC SEALED FEMALE TERMINAL TIN 20/22 GAGE (CABLE RANGE 0.30mm-0.60mm)	N/A	N/A	N/A	N/A	NOT ACTIVE
34	YAZAKI	7116-4151-02	12588067	02JN03	2.8mm YESC SEALED FEMALE TERMINAL TIN 16/18 GAGE (CABLE RANGE 0.75mm-1.40mm)	N/A	N/A	N/A	N/A	NOT ACTIVE
35	YAZAKI	7116-4152-02	12582685	02JN03	2.8mm YESC SEALED FEMALE TERMINAL TIN 14 GAGE (CABLE RANGE 1.50mm-2.50mm)	N/A	N/A	N/A	N/A	AVAILABLE
36	YAZAKI	7158-3111-60	12588068	02JN03	2.8mm CABLE SEAL (wire O.D. range 1.20mm-1.90mm)	N/A	N/A	N/A	GREEN	NOT ACTIVE
37	YAZAKI	7158-3112-70	12588069	02JN03	2.8mm CABLE SEAL (wire O.D. range 1.80mm-2.30mm)	N/A	N/A	N/A	YELLOW	NOT ACTIVE
38	YAZAKI	7158-3113-40	12582686	02JN03	2.8mm CABLE SEAL (wire O.D. range 2.18mm-3.00mm)	N/A	N/A	N/A	WHITE	AVAILABLE
39	YAZAKI	7158-3114-90	T.B.D	02JN03	2.8mm YESC CAVITY PLUG	N/A	N/A	N/A	BLUE	AVAILABLE
40	MOLEX	63811-4200	XX019825	02JN03	MX64 TERM HAND CRIMP TOOL	N/A	N/A	N/A	N/A	AVAILABLE
41	MOLEX	63813-1400	XX019826	02JN03	MX64 TERM SERVICE TOOL	N/A	N/A	N/A	N/A	AVAILABLE
42	MOLEX	63865-8000	XX019827	02JN03	MX64 CRIMP APPLICATOR with TOOL KIT 18/20 GAGE PAYOFF DIRECTION D (left payoff) (contact Molex for payoff detail)	N/A	N/A	N/A	N/A	AVAILABLE
43	MOLEX	63865-8070	XX019828	02JN03	MX64 APPLICATOR TOOL KIT 18/20 GAGE	N/A	N/A	N/A	N/A	AVAILABLE
44	MOLEX	63865-8100	XX019829	02JN03	MX64 CRIMP APPLICATOR with TOOL KIT 22 GAGE PAYOFF DIRECTION D (left payoff) (contact Molex for payoff detail)	N/A	N/A	N/A	N/A	AVAILABLE
45	MOLEX	63865-8170	XX019830	02JN03	MX64 APPLICATOR TOOL KIT 22 GAGE	N/A	N/A	N/A	N/A	AVAILABLE
46	SPX	J35616-64	T.B.D.	02JN03	0.64mm PROBE TOOL (for rcpt)	N/A	N/A	N/A	N/A	AVAILABLE
47	SPX	J35616-64A	T.B.D.	02JN03	0.64mm PROBE TOOL WITH EXT (for rcpt)	N/A	N/A	N/A	N/A	AVAILABLE
48	SPX	J35616-65	T.B.D.	02JN03	0.64mm PROBE TOOL WITH EXT (for pin)	N/A	N/A	N/A	N/A	AVAILABLE
49	SPX	J35616-4A	T.B.D.	02JN03	2.8mm PROBE TOOL (for rcpt)	N/A	N/A	N/A	N/A	AVAILABLE
50	YAZAKI	X39899-J374	12094430	02JN03	2.8mm TERM SERVICE TOOL	N/A	N/A	N/A	N/A	AVAILABLE

002B

\* - MX123 DRESS COVER 73/80/66 CKT MATES TO ANY MX123 HARN CONN ASSY SHOWN ON TABLE ABOVE



PAGE TITLE  
COMPONENT TABLE

DRAWING NUMBER  
12642695

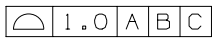
DWG STATUS			PAGE NUMBER
ST	REV	PD1	
R	002		5 OF 21

NOTES: UNLESS OTHERWISE SPECIFIED

1. MATERIAL FOR INTERFACE:

- A. RESIN:
  - 1. 30% G.F. PBT; 20% MAX. (BY WEIGHT) REGRIND.
  - 2. MATING CONNECTOR INTERFACE PART COLOR MUST BE SAME AS MATCHING KEYED HARNESS CONNECTOR ASSEMBLY.
  - 3. MUST BE VALIDATED FOR INDIVIDUAL DEVICE APPLICATION REQUIREMENTS.
- B. 0.64MM PINS:
  - 1. BASE MATERIAL: COPPER ALLOY; CONDUCTIVITY >= 28% IACS AT 20°C; TENSILE STRENGTH >= 635 N/mm<sup>2</sup>; SURFACE ROUGHNESS R<sub>a</sub> 6 MAX.
  - 2. PLATING FINISH: SILVER (Ag). PLATING TO BE 1.9-3.3 μm ELECTRODEPOSITED SEMI-BRIGHT SILVER OVER 1.25-2.25 μm DUCTILE SULPHAMATE NICKEL PER NOTE 1(D).
  - 3. ANTI-TARNISH: SYNTHETIC HYDROCARBON CONTACT SURFACE FINISH OR EQUIVALENT APPLIED WITHOUT VOID TO CONTACT AREA (MIN 3.7mm FROM PIN TIP).
- C. 2.8MM BLADE:
  - 1. BASE MATERIAL: COPPER ALLOY; CONDUCTIVITY >= 28% IACS AT 20°C; TENSILE STRENGTH >= 350 N/mm<sup>2</sup>; SURFACE ROUGHNESS R<sub>a</sub> 6 MAX.
  - 2. PLATING FINISH: TIN. PLATING TO BE 2.5-5.0 μm ELECTRODEPOSITED TIN, MATTE FINISH OVER 1.25-2.5 μm DUCTILE SULPHAMATE NICKEL PER NOTE 1(D).
- D. PLATING REQUIREMENTS:
  - 1. SILVER PLATING
    - a. 99.5% PURE SEMI-BRIGHT WITH NO ORGANIC BRIGHTNERS OR CHROMATES.
  - 2. NICKEL PLATING
    - a. ELECTRODEPOSITED DUCTILE SULFAMATE NICKEL WITH A NON-BRIGHTENED FINISH. NO ORGANIC OR BRIGHTENING AGENTS SHALL BE ALLOWED.
    - b. SHALL ONLY BE USED AS AN UNDERLYING PLATING AND MAY NOT BE USED AS AN ELECTRICAL CONTACT SURFACE PLATING.
    - c. SHALL BE NODULE FREE WHEN VIEWED AT 10X MAGNIFICATION IN MEASURED IN CONTACT SURFACE AREA PLUS 0.5MM PERIMETER AROUND THE CONTACT SURFACE AREA.
    - d. ALL PLATINGS SHALL HAVE A 1.0% MAXIMUM BY WEIGHT IMPURITIES. IMPURITIES ARE DEFINED AS ALL ELEMENTS NOT THE PRIMARY PLATING OR HARDENING AGENT IF APPLICABLE, AS DETERMINED BY WET CHEMICAL ANALYSIS OR AUGER METHOD. NO SINGLE IMPURITY SHALL EXCEED 0.1% MAXIMUM BY WEIGHT.
  - 3. TESTING
    - a. THICKNESS TO BE MEASURED IN CONTACT SURFACE AREA PLUS 0.5MM PERIMETER AROUND THE CONTACT SURFACE AREA AS DESIGNATED IN THE DRAWING. THICKNESS SHALL BE DETERMINED BY METHOD OF X-RAY (XRF).
    - b. PLATING ADHESION SHALL BE TESTED BY A BEND TEST FOR ALL METALS. THE TEST SAMPLE SHALL BE BENT 90 DEGREES TO DETERMINE DEPOSIT ADHESION. TESTING SHALL BE COMPLETED IN ACCORDANCE WITH ASTM SPEC B571.


2. DESIGN - GENERAL:

- A. THIS IS A 100% CAD GENERATED PART. THE CAD MATHEMATICAL DATA IS THE MASTER FOR THIS PART. FOR DIMENSIONAL OR ANY INFORMATION NOT SHOWN ON THIS DRAWING, ANALYZE THE CAD MODEL.
- B. TOLERANCES:
  - 1. LINEAR
    - 0.X ± 0.30
    - 0.XX ± 0.10
    - 0.XXX ± 0.10
  - 2. ANGULAR X° ± 3°
  - 3. 
- C. MINIMUM WALL THICKNESS REQUIRED: 1.3mm.
- D. CORNERS SHOWN AS SHARP TO BE R 0.2 MAX.
- E. LETTERING SHALL BE 0.15 MAX RAISED IN 0.20 MAX RECESS PAD. THIS INCLUDES MATERIAL CODE, RECYCLING CODE, CAVITY ID AND DATE CODE.
- F-1. PARTS MUST BE FREE OF DISCOLORATION, SALT RESIDUE AND OTHER IMPERFECTIONS THAT AFFECT FIT OR FUNCTION.
- F-2. SCRATCHES OR DENTS NOT TO EXCEED 0.013mm IN DEPTH.
- G. FOLLOWING PRODUCTION CODES TO BE PERMANENTLY MARKED & HUMAN READABLE TO A LETTER HEIGHT OF 1.5 ± 0.5MM X 0.3 MAX DEEP
  - 1. MATERIAL #: XXXXX-XXXX
  - 2. DATE CODE: JJYY (JULIAN DAY, LAST DIGIT OF YEAR)
  - 3. INSPECTION MACHINE CODE + SERIAL #: X\_XXXXX

3. DESIGN - MANUFACTURING:

- A. DRAFT TO BE WITHIN TOLERANCE.
- B. ALLOWABLE FLASH MAX 0.2 HIGH X MAX 0.13 THICK.
- C. ALLOWABLE PARTING LINE MISMATCH 0.2 MAX.
- D. EJECTOR PINS MARK TO BE FLUSH TO 0.25 MAX DEPRESSED.
- E. ALLOWABLE GATE VESTIGE FLUSH TO 0.25 MAX PROTRUSION.
- F. NO EXTERNAL MOLD RELEASE AGENT ALLOWED DURING MANUFACTURING.
- G. STEEL THAT FORMS THE INDICATED SURFACE MUST BE POLISHED WITH A DIAMOND FINISH (SPI A-2) OVER THE FULL PERIPHERY OF THE TOOL. SURFACE MUST HAVE NO MISMATCH.
- H. ANY PROCESS LUBRICANT REMAINING ON THE TERMINAL MUST NOT VARNISH OR DEGRADE IT'S ELECTRICAL PERFORMANCE UP TO A MAXIMUM CLASS AMBIENT TEMPERATURE PER SAE USCAR-2 FOR 1008 HOURS. PROCESS LUBRICANTS SHOULD BE APPROVED BY THE RESPONSIBLE ENGINEER.
- J. OPTIONAL FEATURES PROVIDED FOR AUTOMATION.
- K. PART MUST BE FREE FROM BURRS AND SHARP EDGES, WHICH MIGHT BE DETRIMENTAL TO SATISFACTORY ASSEMBLY, SAFE HANDLING OR FUNCTION OF PART.
- L. PARTS AS DELIVERED TO ASSEMBLY SHALL BE CLEAN AND FREE OF DEBRIS, RESIDUAL ABRASIVE MATERIAL AND CORROSION PRODUCTS ADVERESLY AFFECTING FUNCTION OR APPEARENCE.
- M. RESTRICTED AND REPORTABLE SUBSTANCES FOR PARTS PER GMW3059.

002C

	PAGE TITLE	DRAWING NUMBER	DWG STATUS			PAGE NUMBER	
	NOTES		12642695	ST	REV	PDI	6 OF 21
				R	002		

NOTES: UNLESS OTHERWISE SPECIFIED

4. SYSTEM REQUIREMENTS:

A. HARNESS CONNECTOR IS COMPATIBLE WITH THE FOLLOWING SAE WIRE SIZE NO'S:

- 14, MEETING SAE J1128
- 18, MEETING SAE J1128, MAX O.D. OF 2.06 MM
- 20, MEETING SAE J1128
- 22, MEETING SAE J1128, MIN O.D. OF 1.47 MM

B. CABLE TIE SPECIFICATIONS:

- 1. CABLE TIE:
  - TENSILE RATING: 220N / (50lbs) MIN
  - TIE LENGTH: 186mm MIN
  - TIE WIDTH: 4.75mm MAX
  - MATERIAL: NYLON
- 2. INSTALLATION:
  - CABLE TIE TENSION: 190N MIN
- 3. DRESSED WIRE BUNDLE PACKAGING: SEE FIG. 1

C. WHEN MATED WITH COMPONENT CONNECTOR INTERFACE AND/OR DRESS COVER, HARNESS CONNECTOR SYSTEM CONFORMS TO THE FOLLOWING:

- 1. SAE/USCAR-2, REV: 3 APRIL, 2001; CLASS 3
- 2. FIELD CORRELATED LIFE TEST, SAE/USCAR-20, NOV. 2001
- 3. GMW #3191 AUGUST 22, 2000 (DRAFT); TEMPERATURE CLASS 3, SEALING CLASS 1, VIBRATION CLASS 2
- 4. RESTRICTED AND REPORTABLE CHEMICALS PER GMW #3059, REV: D AUGUST 2002
- 5. TPA USER FORCES (FULLY POPULATED WITH TERMINALS)
  - a. REMOVAL FROM LOCK TO PRE-SET: <=120N

D. WIRE SPECIFICATIONS:

- 1. WIRE SURFACE MUST BE FREE OF SCRATCHES, GROOVES OR DENTS WHERE FUNCTIONAL

5. TERMINAL CURRENT RATINGS:

ALL TESTING DONE IN ACCORDANCE WITH USCAR-2 REV5 SECTION 5.3

A. MX64 RCPT TERM

- 1. MX64 RCPT TERM Ag 18/20 GAGE CRIMPED TO SAE WIRE SIZE NO.18 AND MATED TO MX123 0.64MM PIN: 11.3 AMPS
- 2. MX64 RCPT TERM Ag 22 GAGE CRIMPED TO SAE WIRE SIZE NO.22 AND MATED TO MX123 0.64MM PIN:8.5 AMPS

WIRE	CURRENT RATING			
	23°C	85°C	105°C	125°C
18AWG	11.3A	11.3A	9.5A	6.6A
20AWG	10.0A	10.0A	8.3A	5.7A
22AWG	8.6A	8.6A	7.1A	5.0A

B. 2.8MM RCPT TERM

- 1. 2.8MM RCPT TERM TIN 14 GAGE CRIMPED TO SAE WIRE SIZE NO.14 AND MATED TO MX123 2.8MM BLADE: 25.6 AMPS

6. CONTACT MOLEX AUTOMOTIVE FOR AVAILABLE CUSTOM PATTERNS OF CAVITIES OPEN FOR CIRCUITS



PAGE TITLE  
NOTES

DRAWING NUMBER

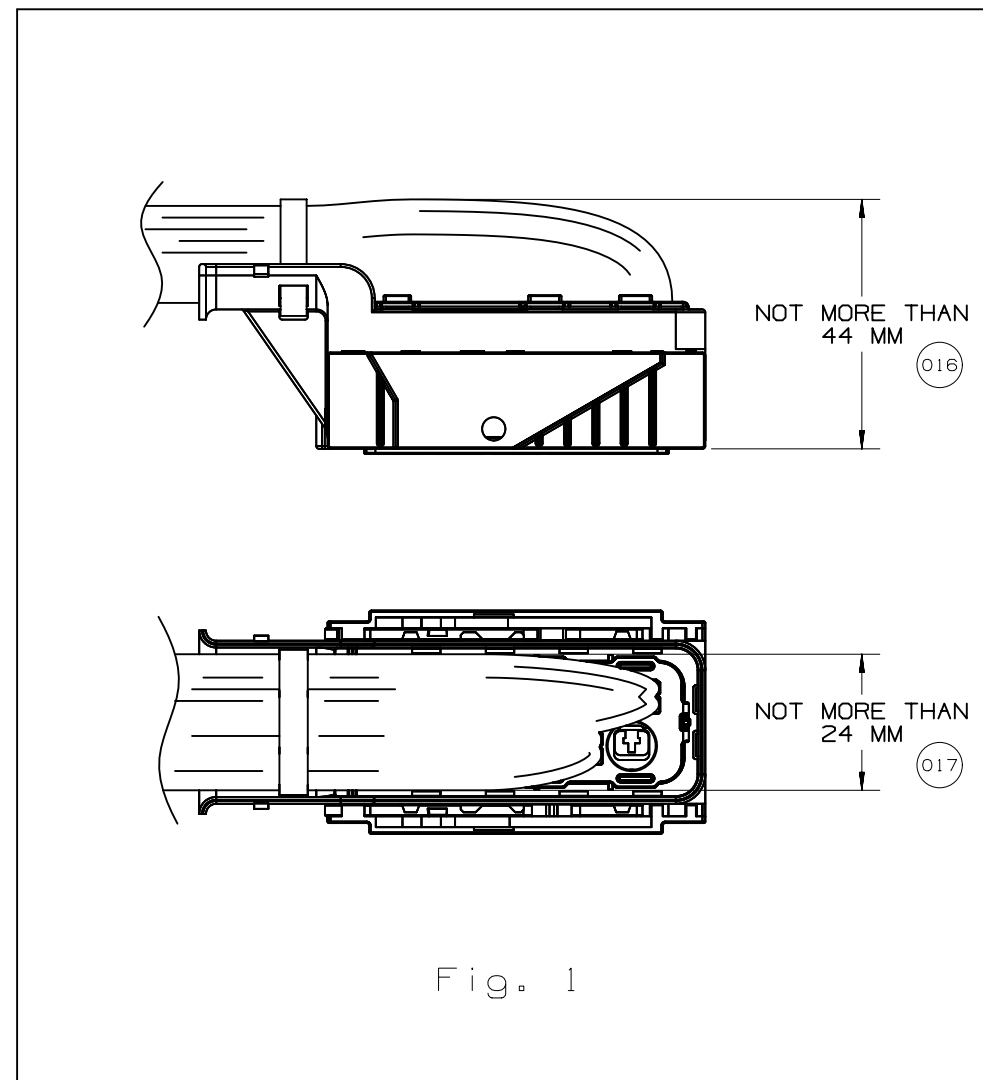
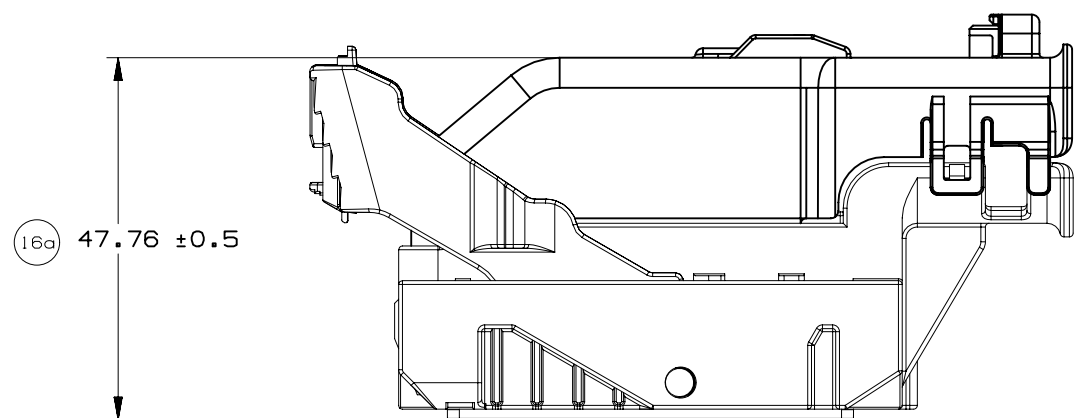
12642695

DWG STATUS

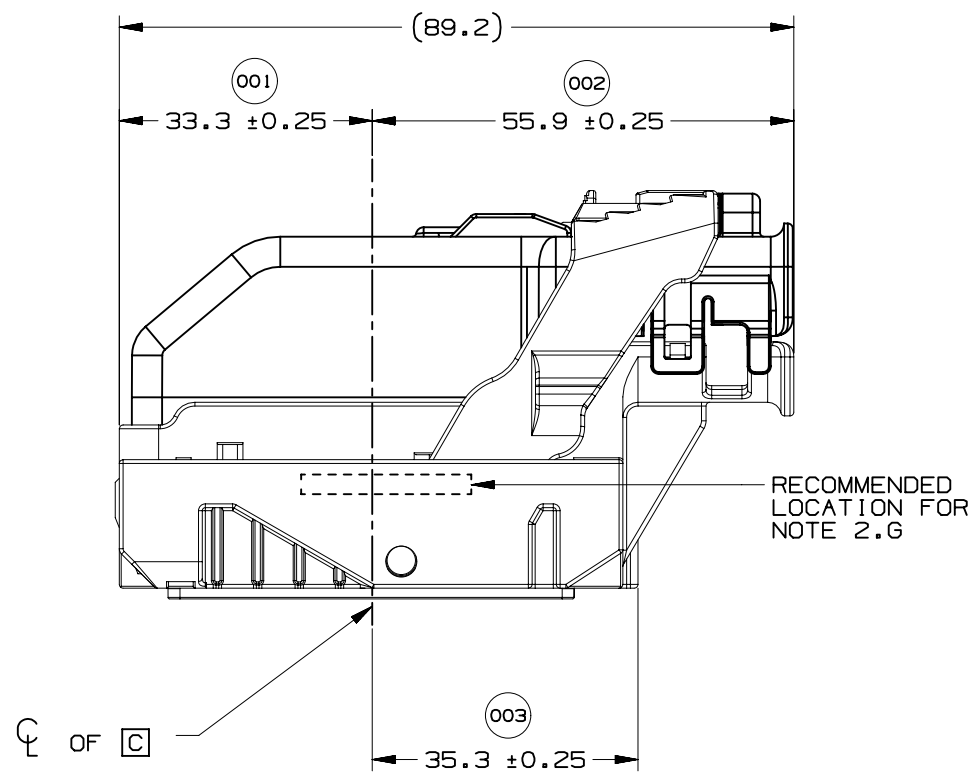
ST	REV	PDI
R	002	

PAGE NUMBER

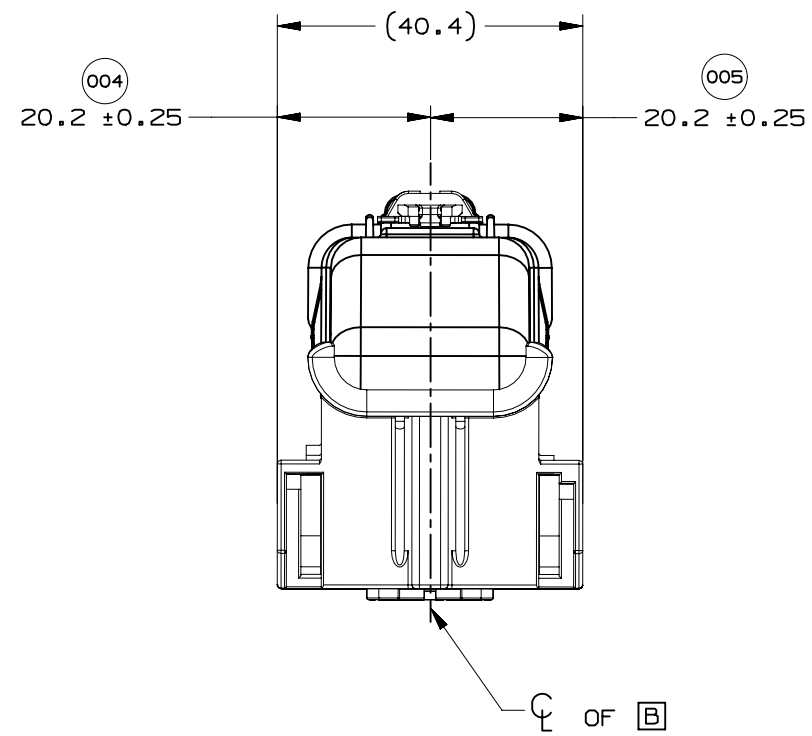
7 OF 21



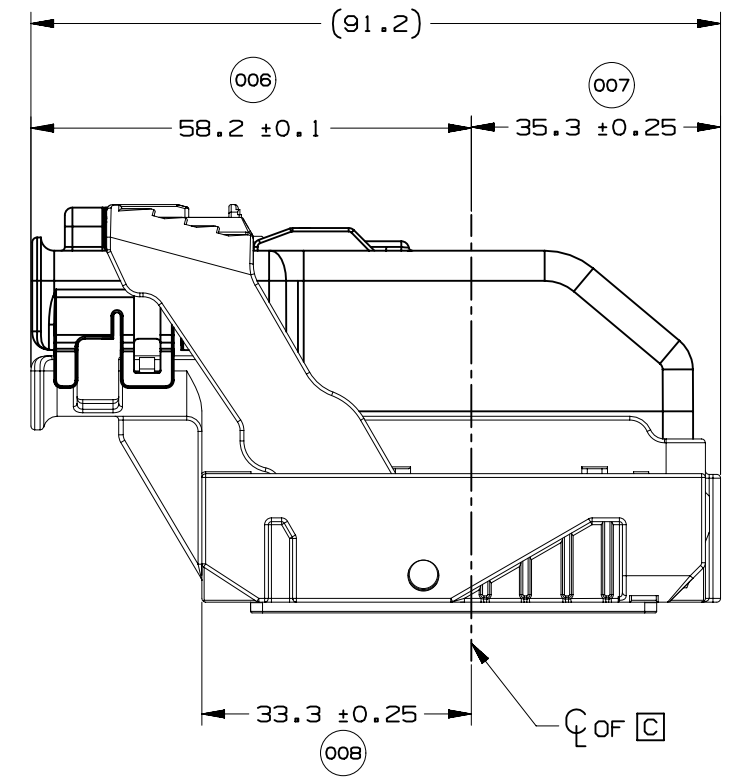




WIRE DRESS OPTION 0 SHOWN

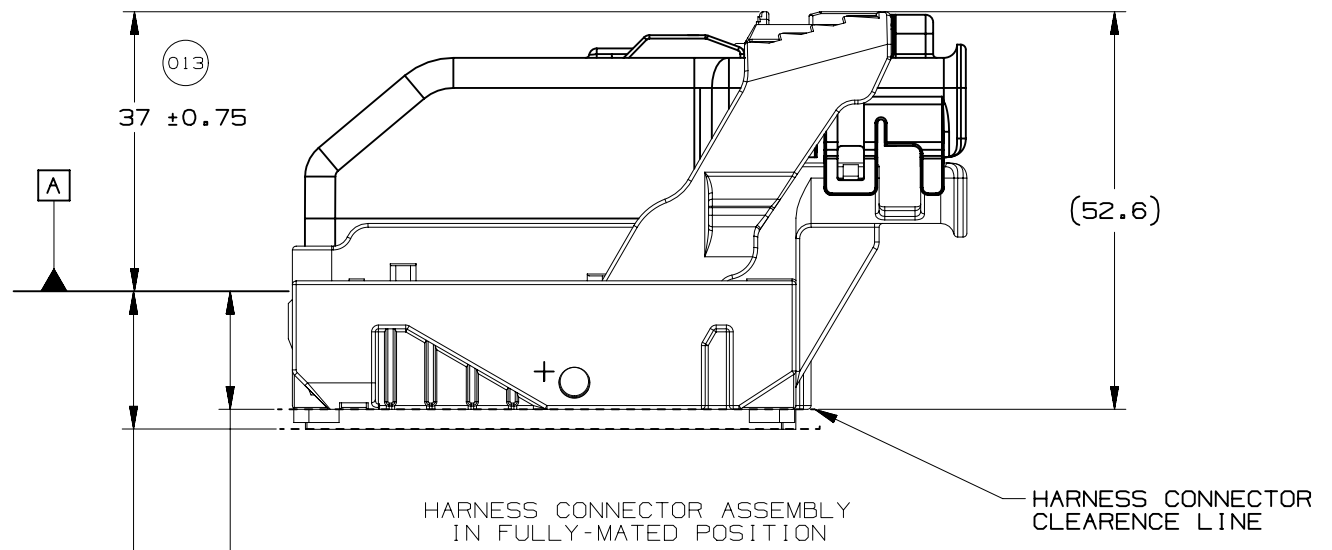
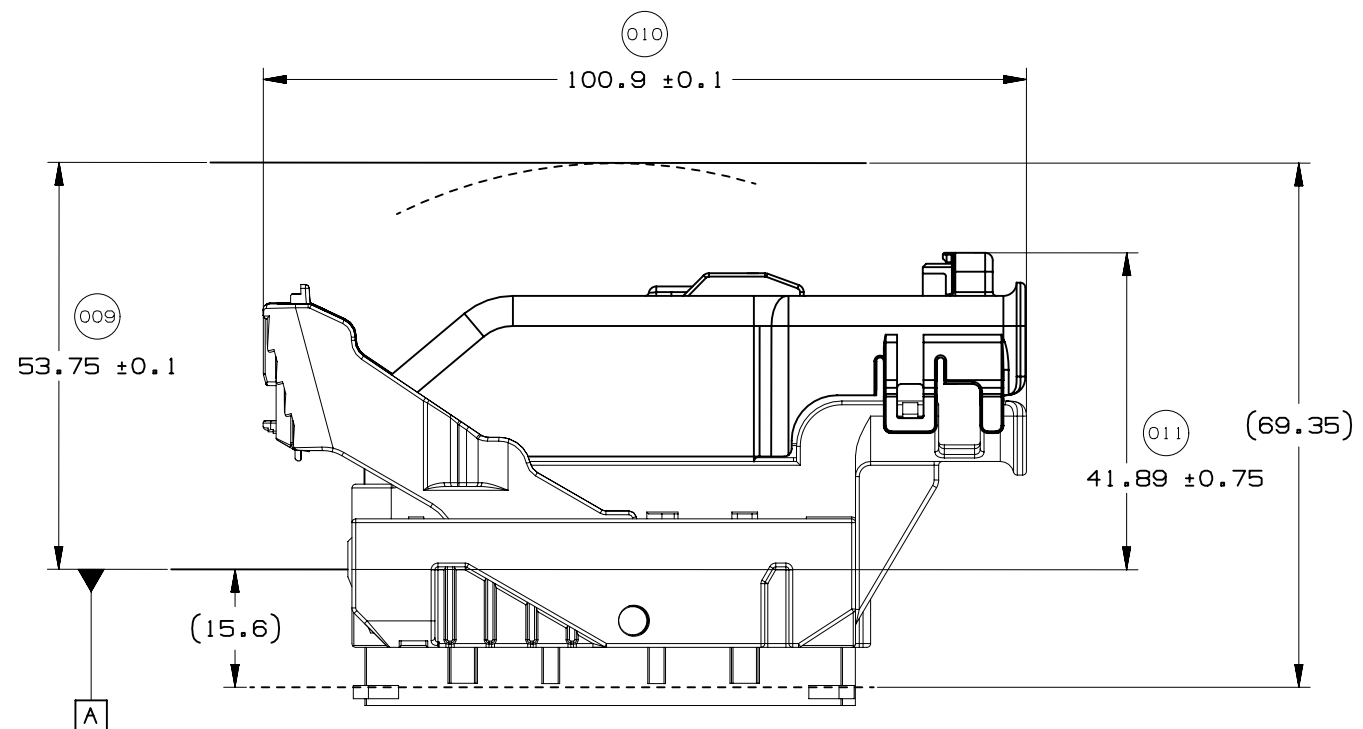
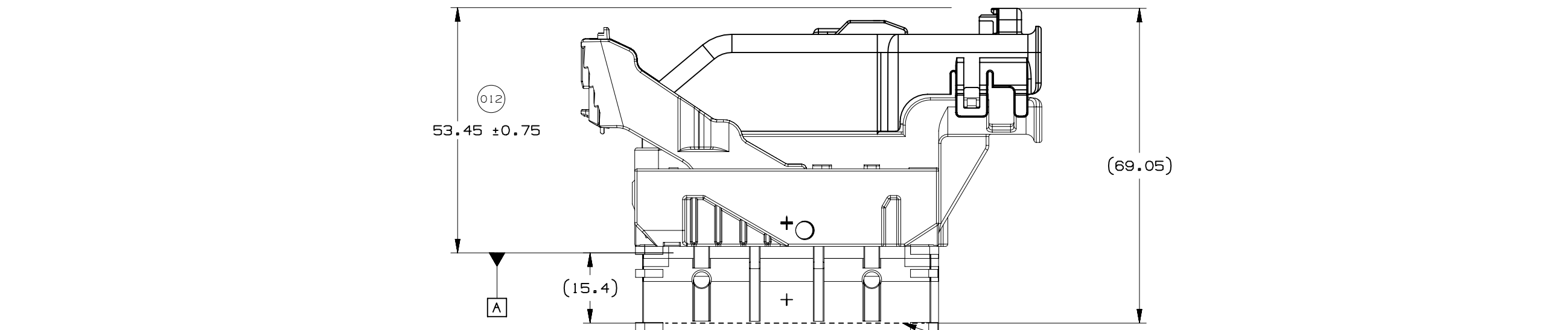


WIRE DRESS OPTION 0 SHOWN



WIRE DRESS OPTION 9 SHOWN





17.9 MIN. AT PAD LOCATION  
 CLEARANCE REQUIRED  
 FOR HARNESS CONNECTOR  
 CONSTRUCTION BELOW THIS  
 PLANE IS NOT CONTROLLED

015

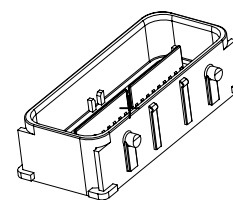
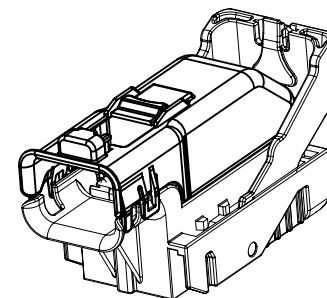
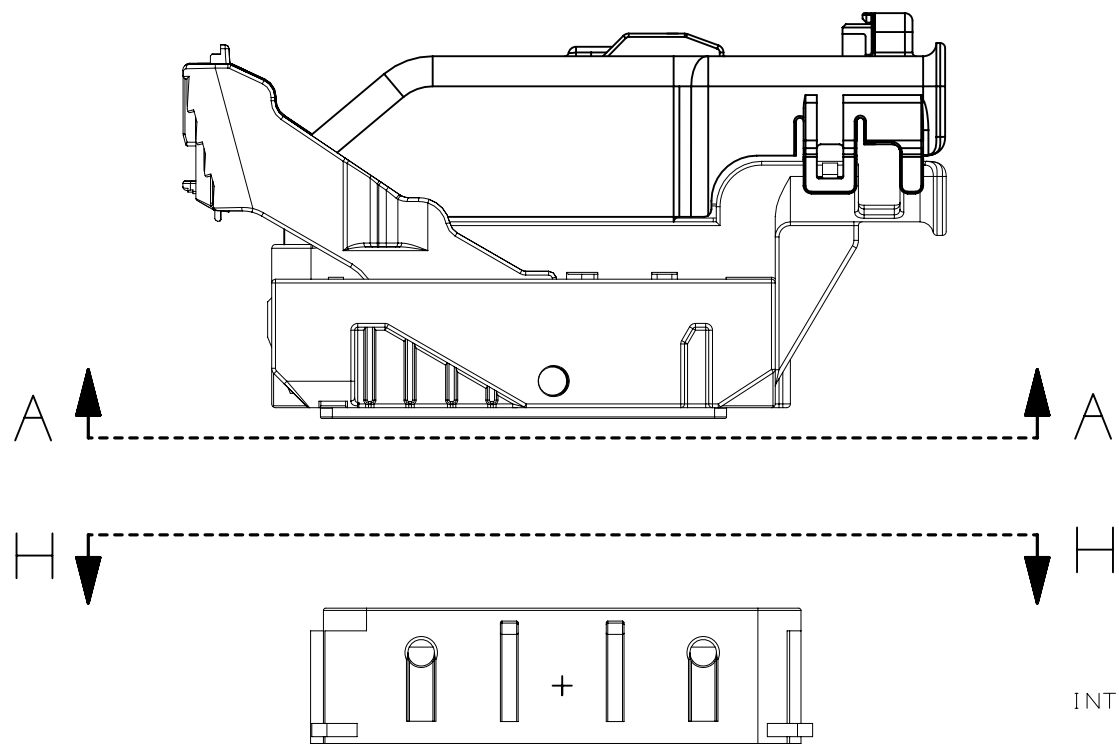


PAGE TITLE  
 LOCATION AND PACKAGING DIMENSIONS  
 REFERENCING INTERFACE DATUM A

DRAWING NUMBER  
 12642695

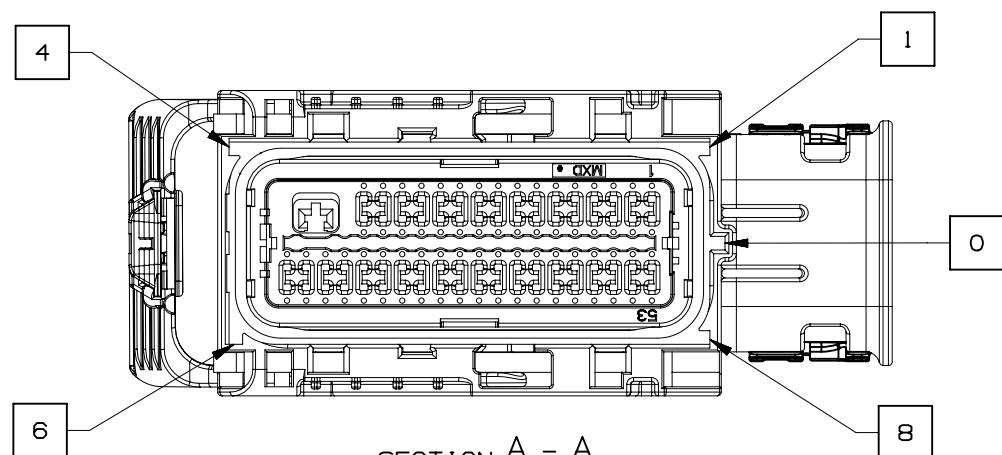
DWG STATUS		
ST	REV	PD1
R	002	

PAGE NUMBER  
 10 OF 21

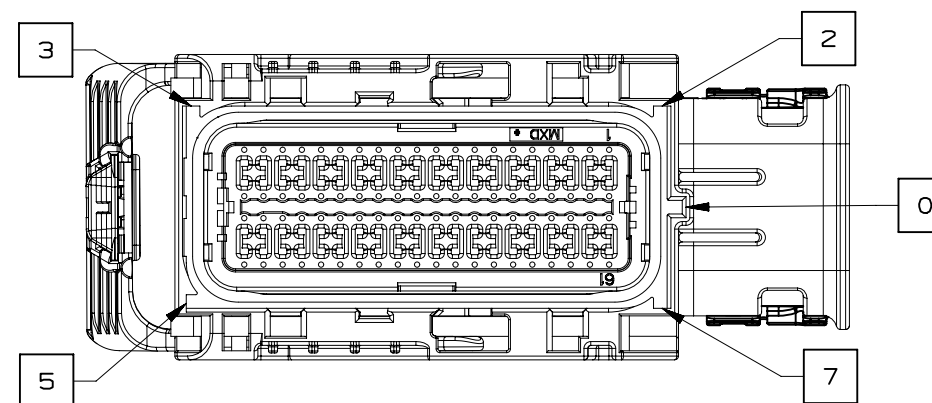


NOTE: REFERENCE THE COMPONENT TABLE FOR KEY OPTIONS AND CONFIGURATIONS

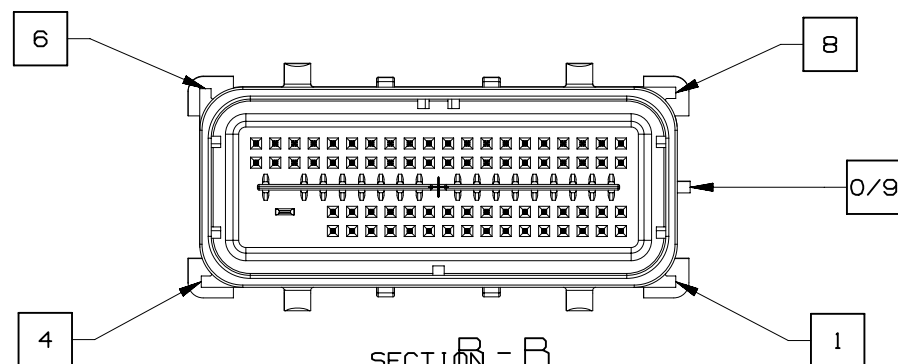
INTERFACE SIDE SHOWN ON ALL SECTION VIEWS



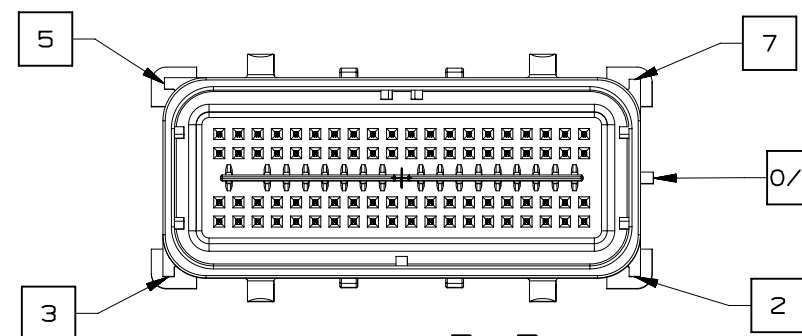
SECTION A - A  
KEY OPTION B SHOWN



SECTION A - A  
KEY OPTION K SHOWN



SECTION B - B  
KEY OPTION B SHOWN



SECTION B - B  
KEY OPTION K SHOWN

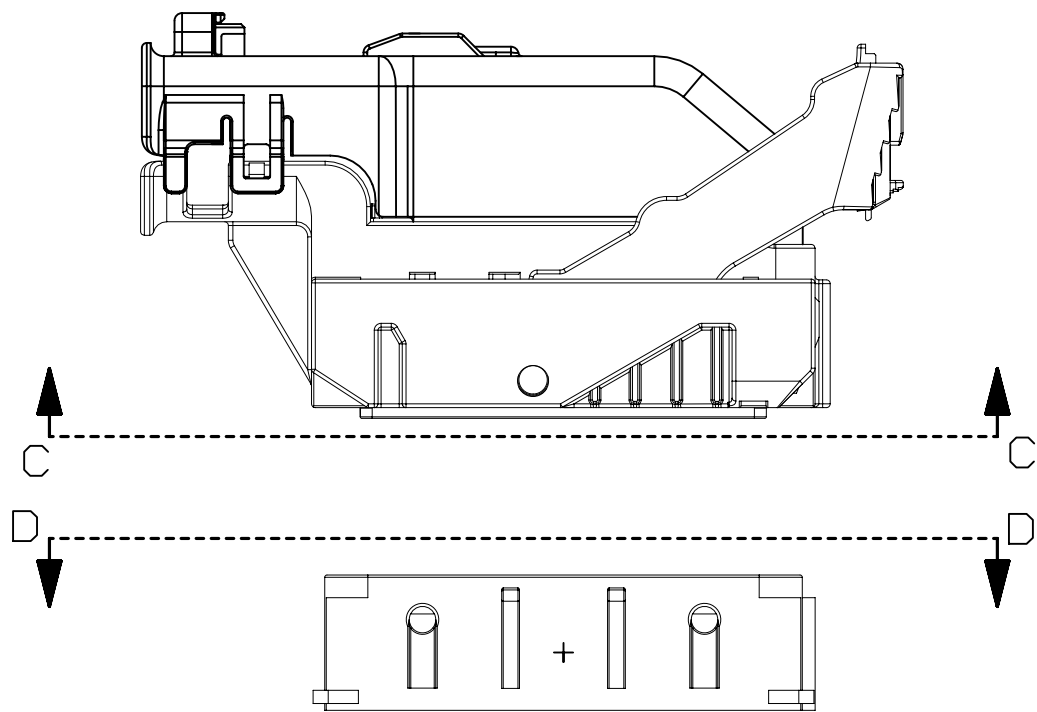


PAGE TITLE  
KEY ID REF - WIRE DRESS OPTION 0

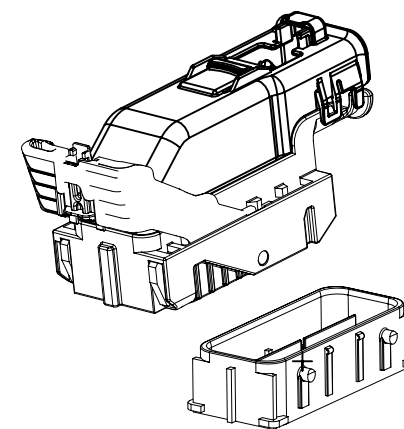
DRAWING NUMBER  
12642695

DWG STATUS		
ST	REV	PD1
R	002	

PAGE NUMBER  
11 OF 21

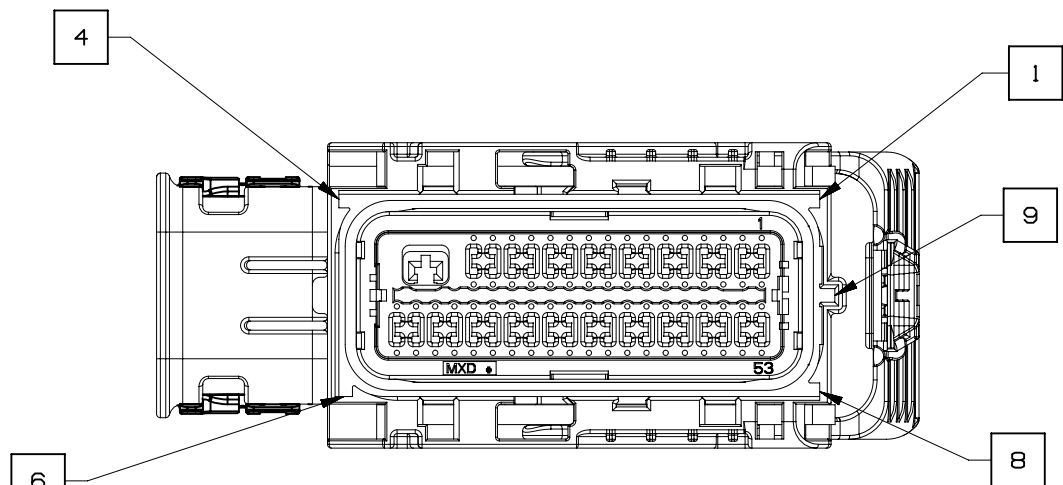


INTERFACE SIDE SHOWN ON ALL SECTION VIEWS

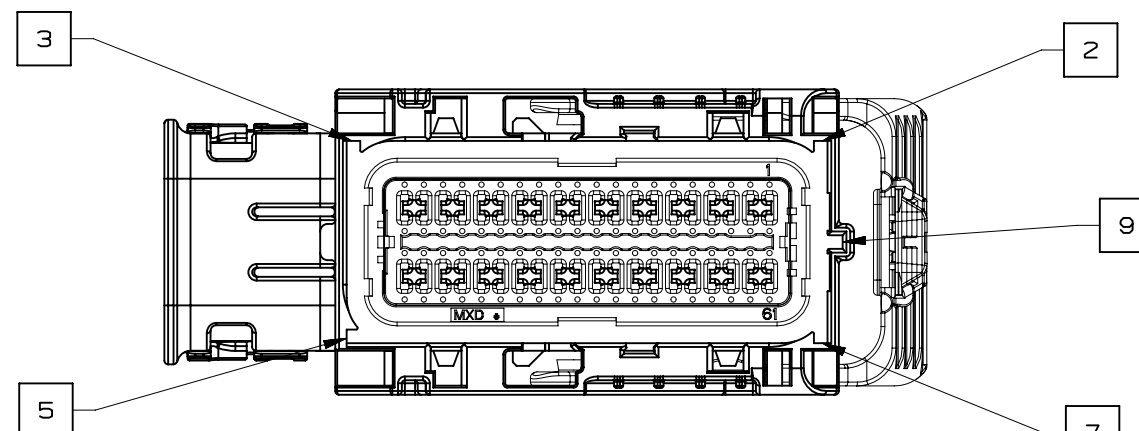


NOTE: REFERENCE THE COMPONENT TABLE FOR KEY OPTIONS AND CONFIGURATIONS

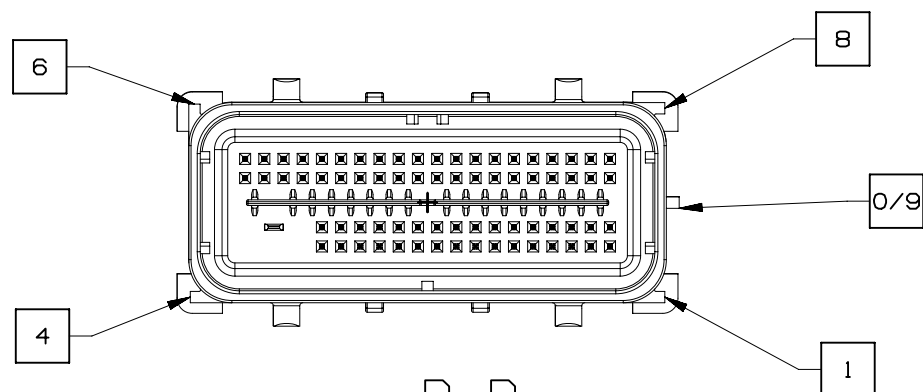
VIEW V



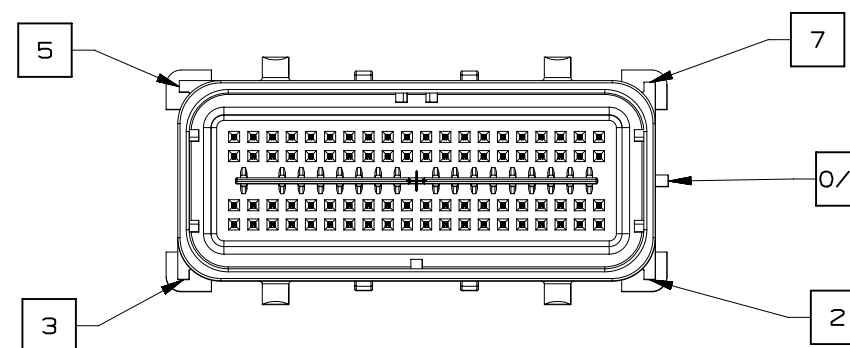
SECTION C-C  
KEY OPTION B SHOWN



SECTION C-C  
KEY OPTION K SHOWN



SECTION D-D  
KEY OPTION B SHOWN



SECTION D-D  
KEY OPTION K SHOWN

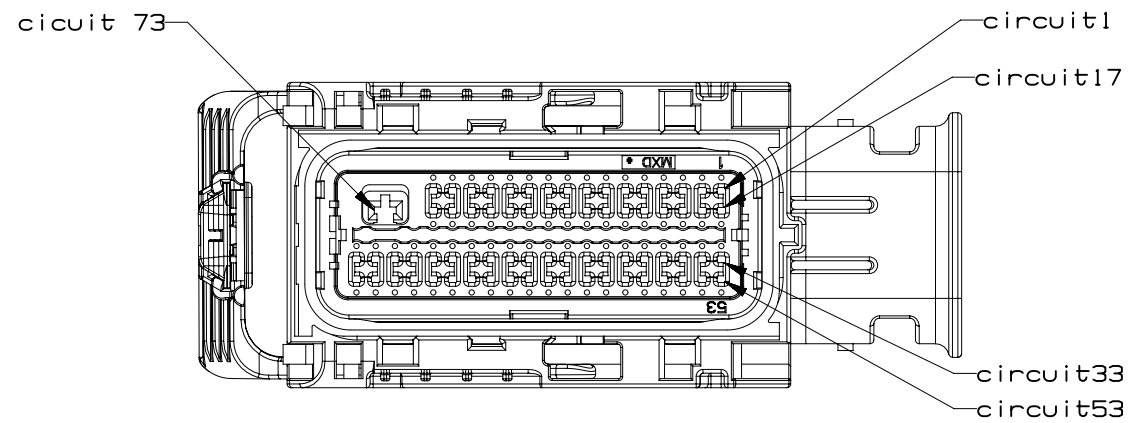


PAGE TITLE  
KEY ID REF - WIRE DRESS OPTION 9

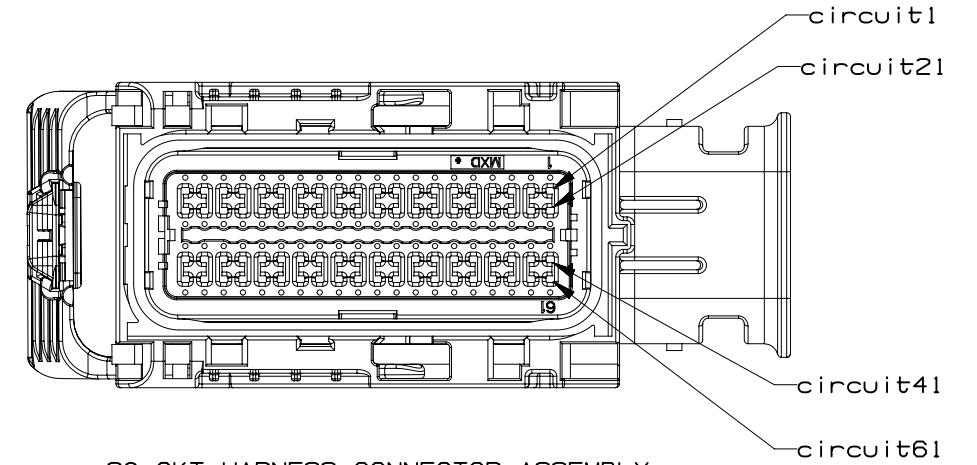
DRAWING NUMBER  
12642695

DWG STATUS		
ST	REV	PD1
R	002	

PAGE NUMBER  
12 OF 21

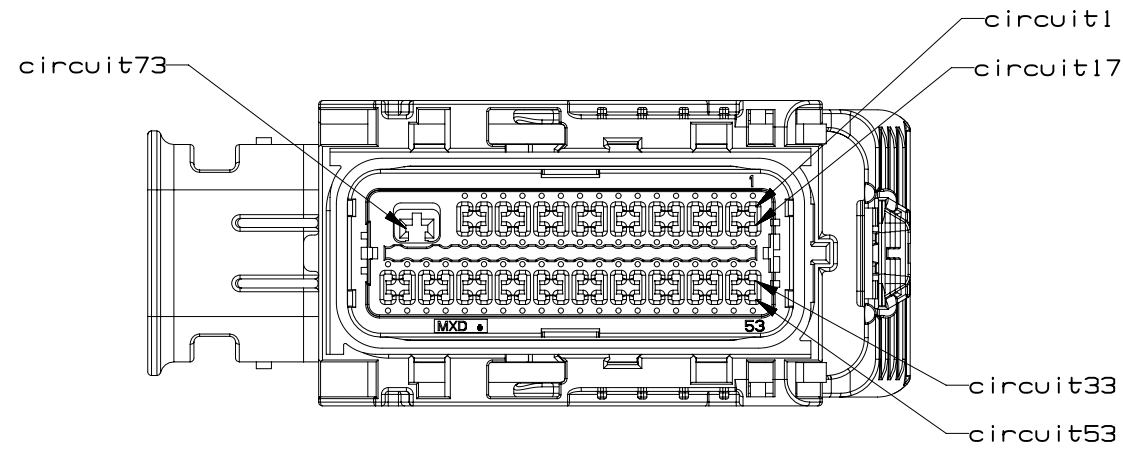


73 CKT HARNESS CONNECTOR ASSEMBLY  
WIRE DRESS OPTION 0

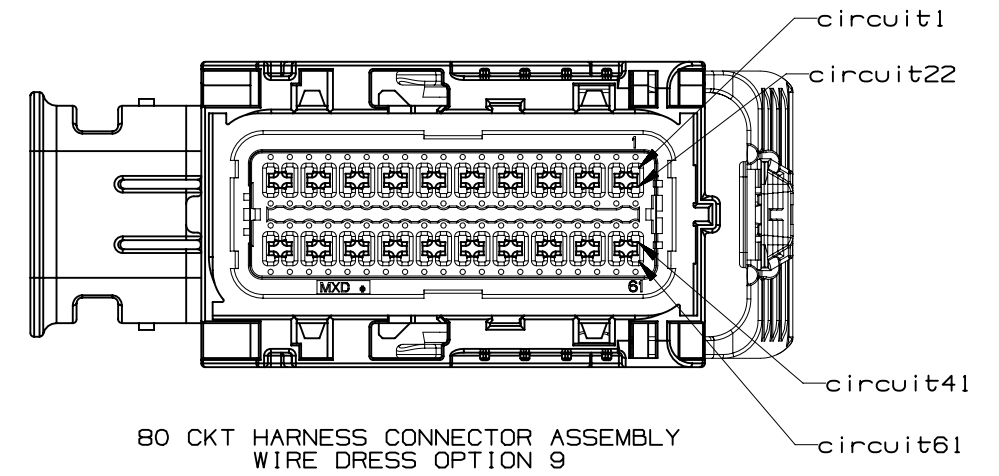


80 CKT HARNESS CONNECTOR ASSEMBLY  
WIRE DRESS OPTION 0

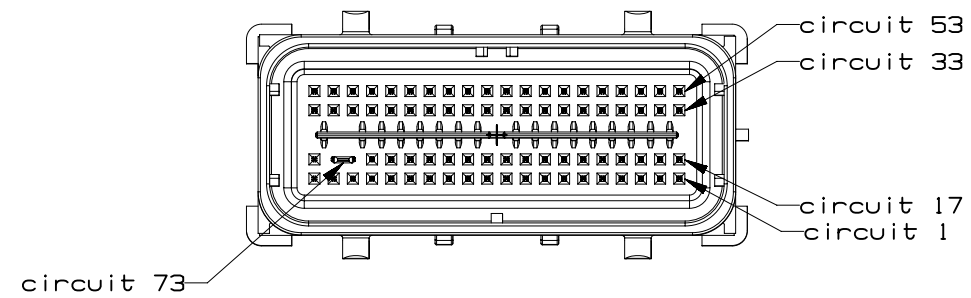
INTERFACE SIDE SHOWN ON ALL VIEWS



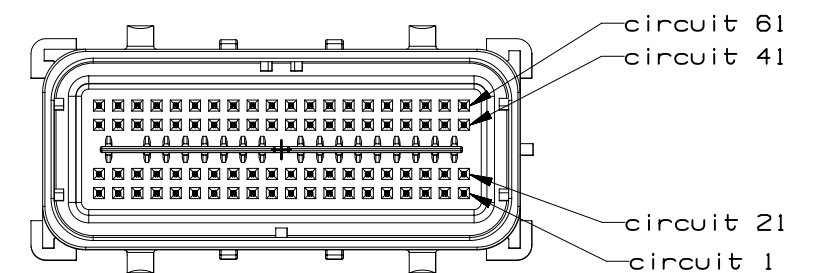
73 CKT HARNESS CONNECTOR ASSEMBLY  
WIRE DRESS OPTION 9



80 CKT HARNESS CONNECTOR ASSEMBLY  
WIRE DRESS OPTION 9

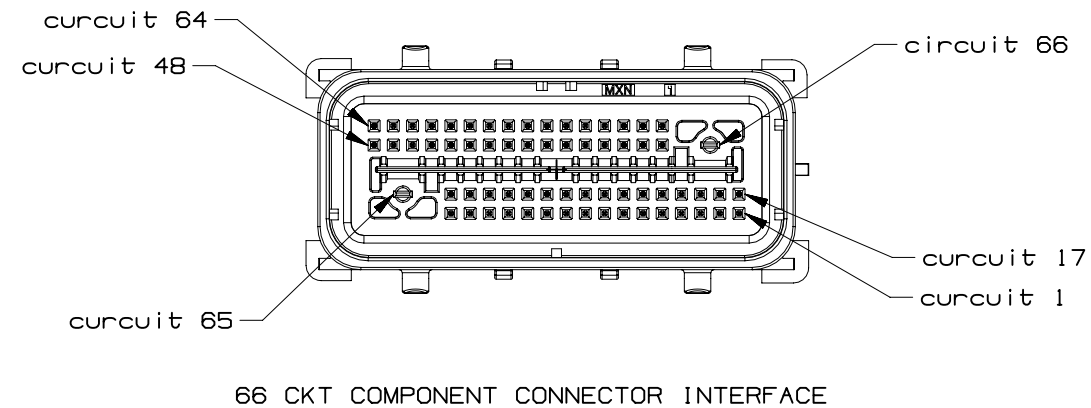
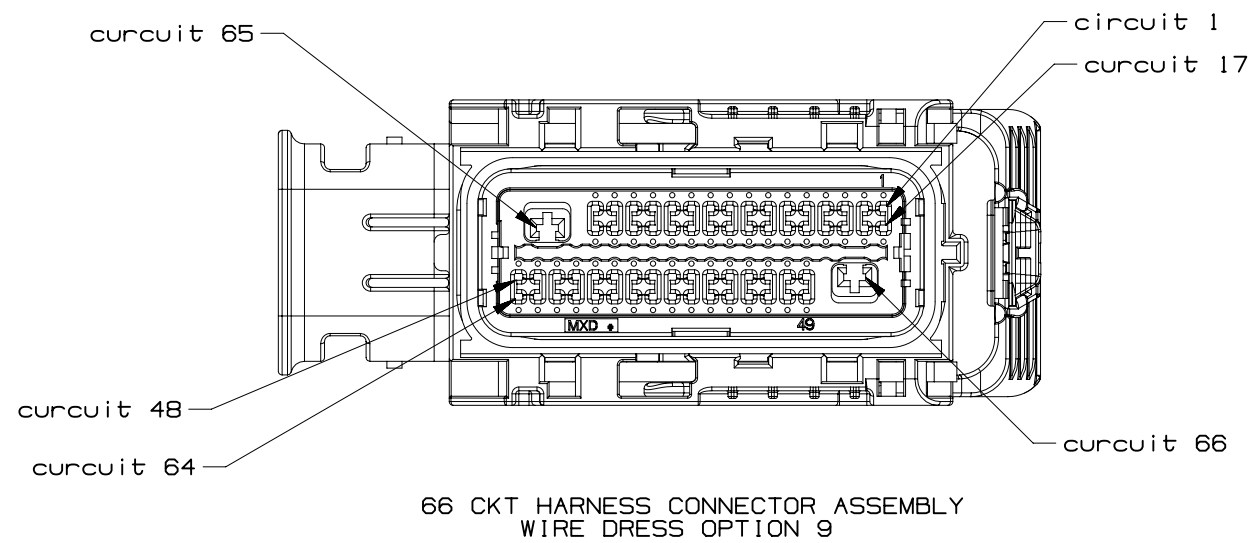
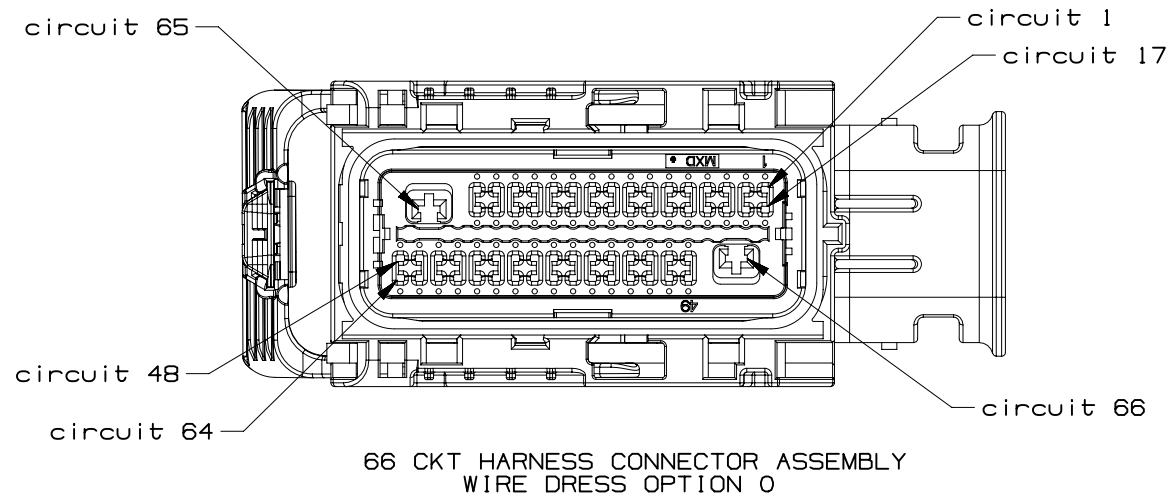


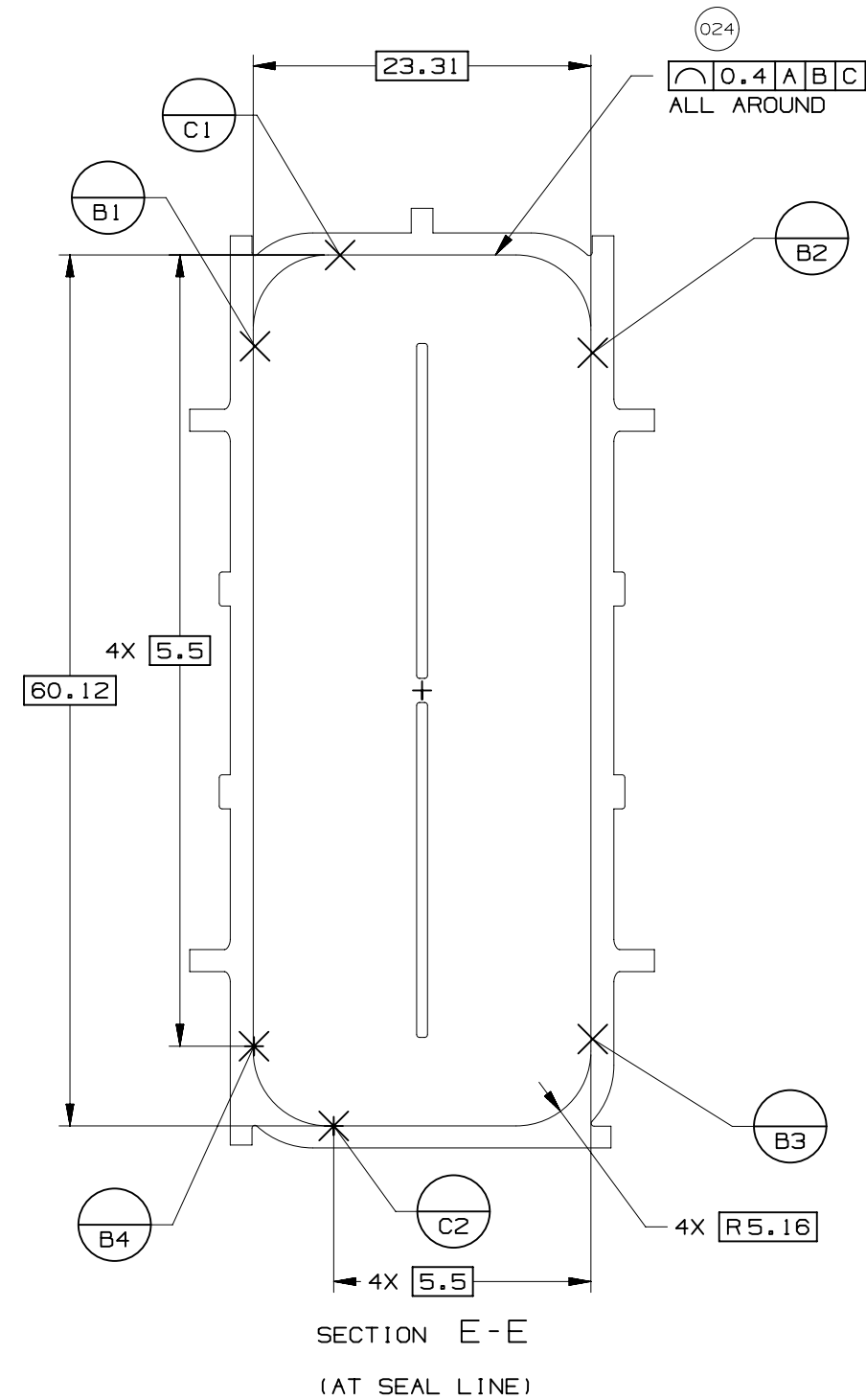
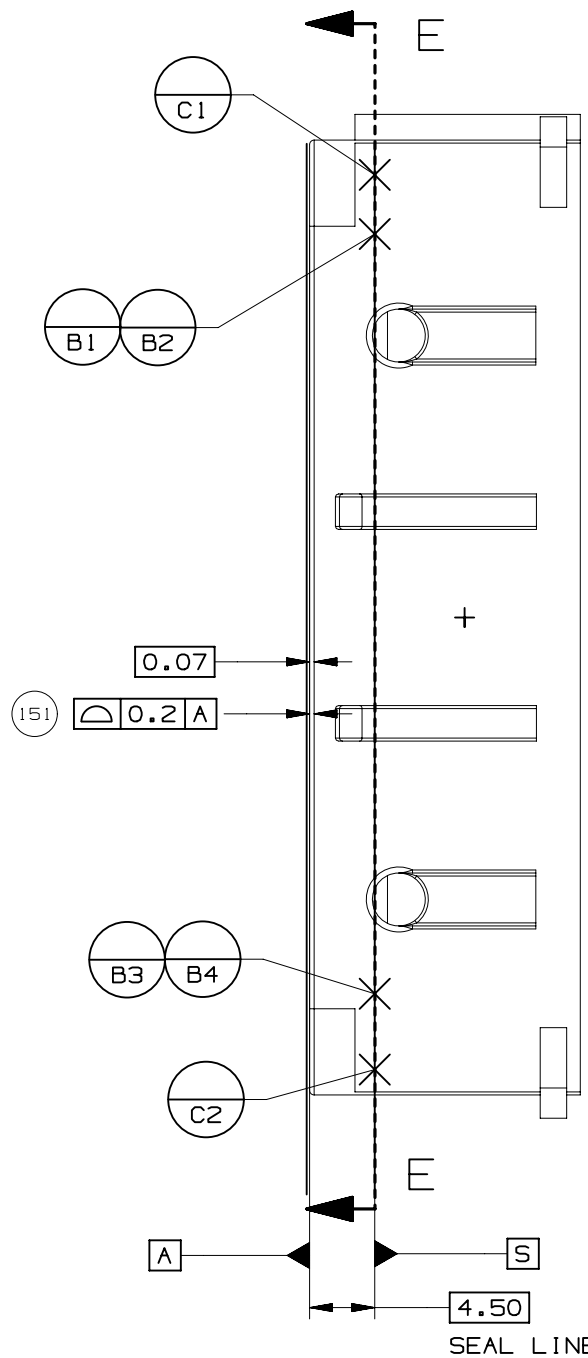
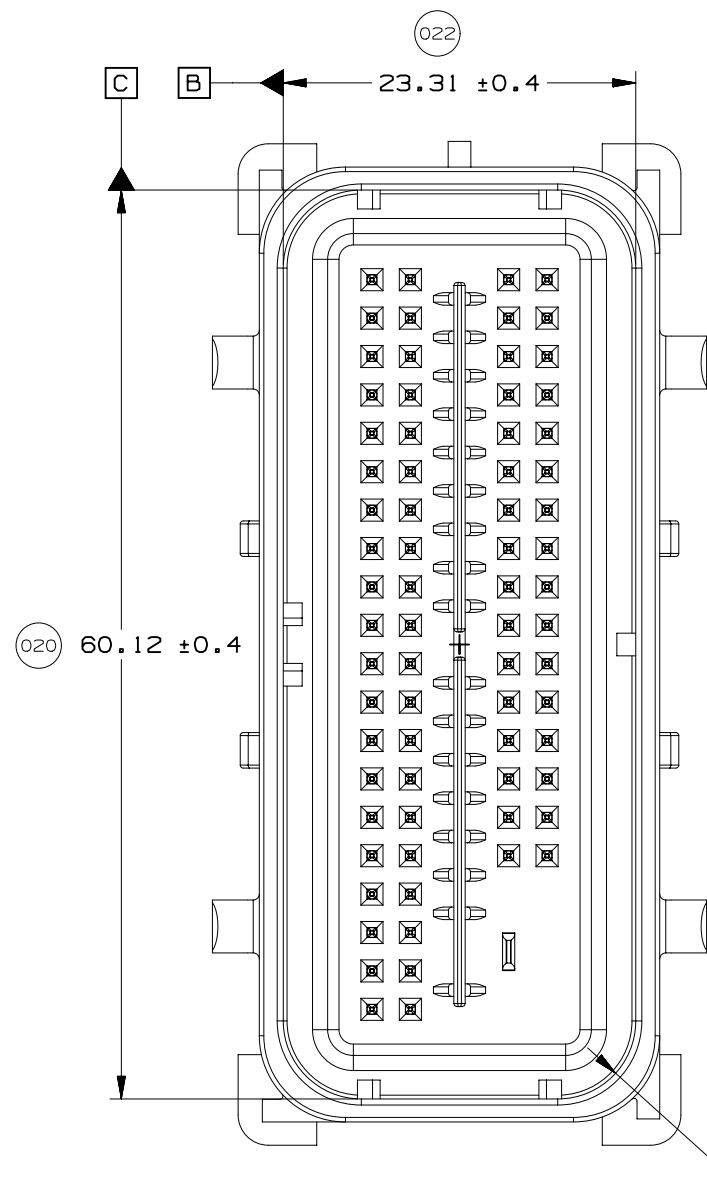
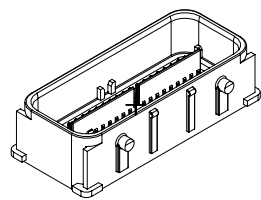
73 CKT COMPONENT CONNECTOR INTERFACE



80 CKT COMPONENT CONNECTOR INTERFACE







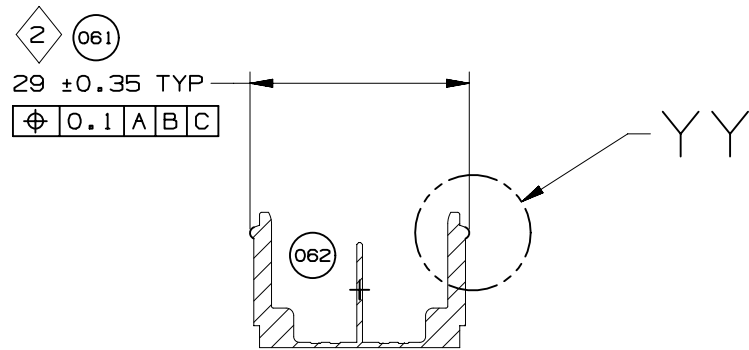
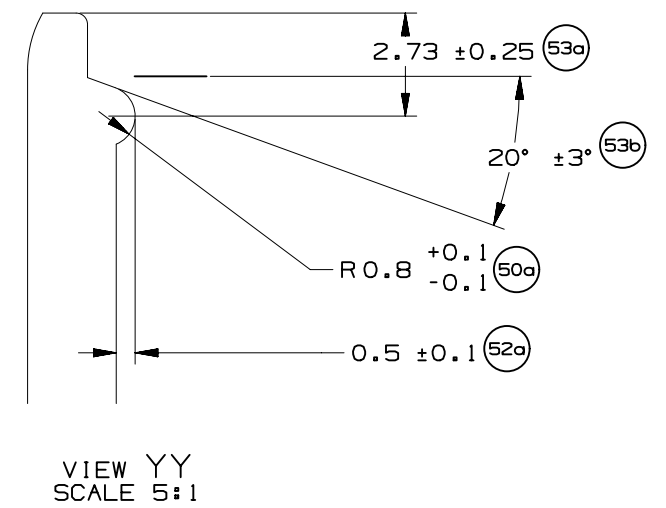
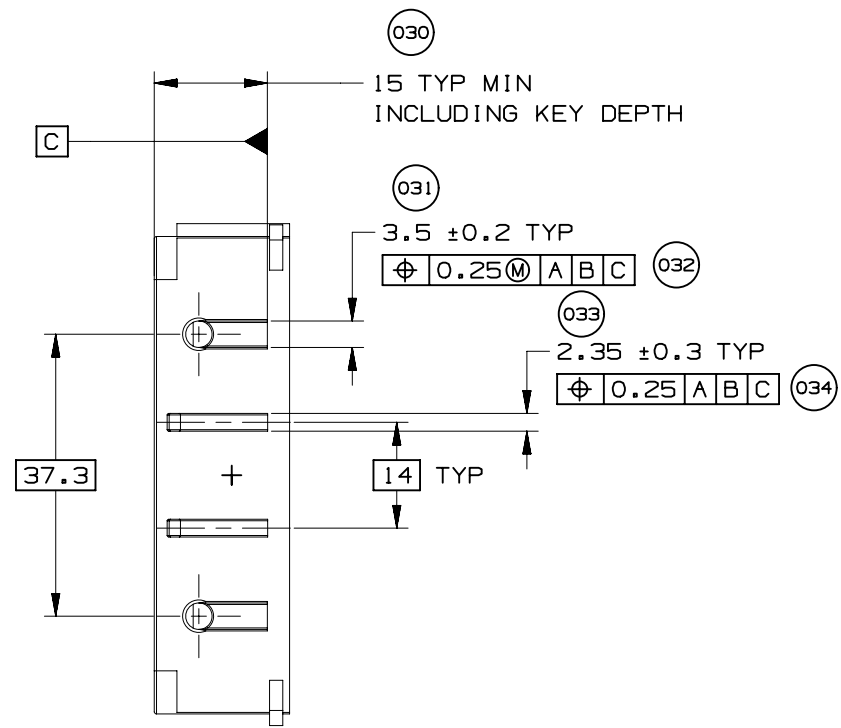
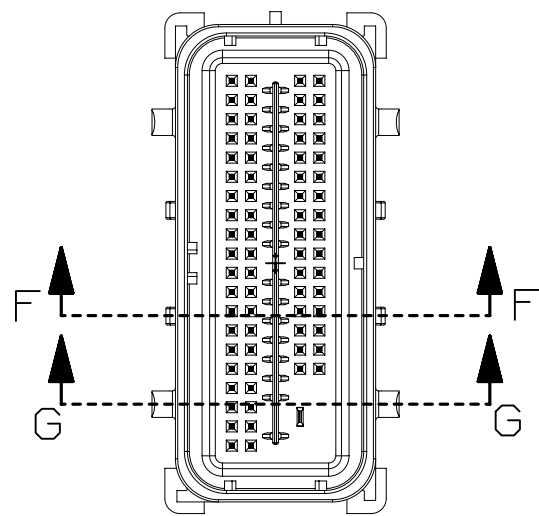
UNLESS SPECIFIED, TOLERANCE OF THE COMPONENT CONNECTOR INTERFACE TO BE  $\sqrt[0.13]{A B C}$



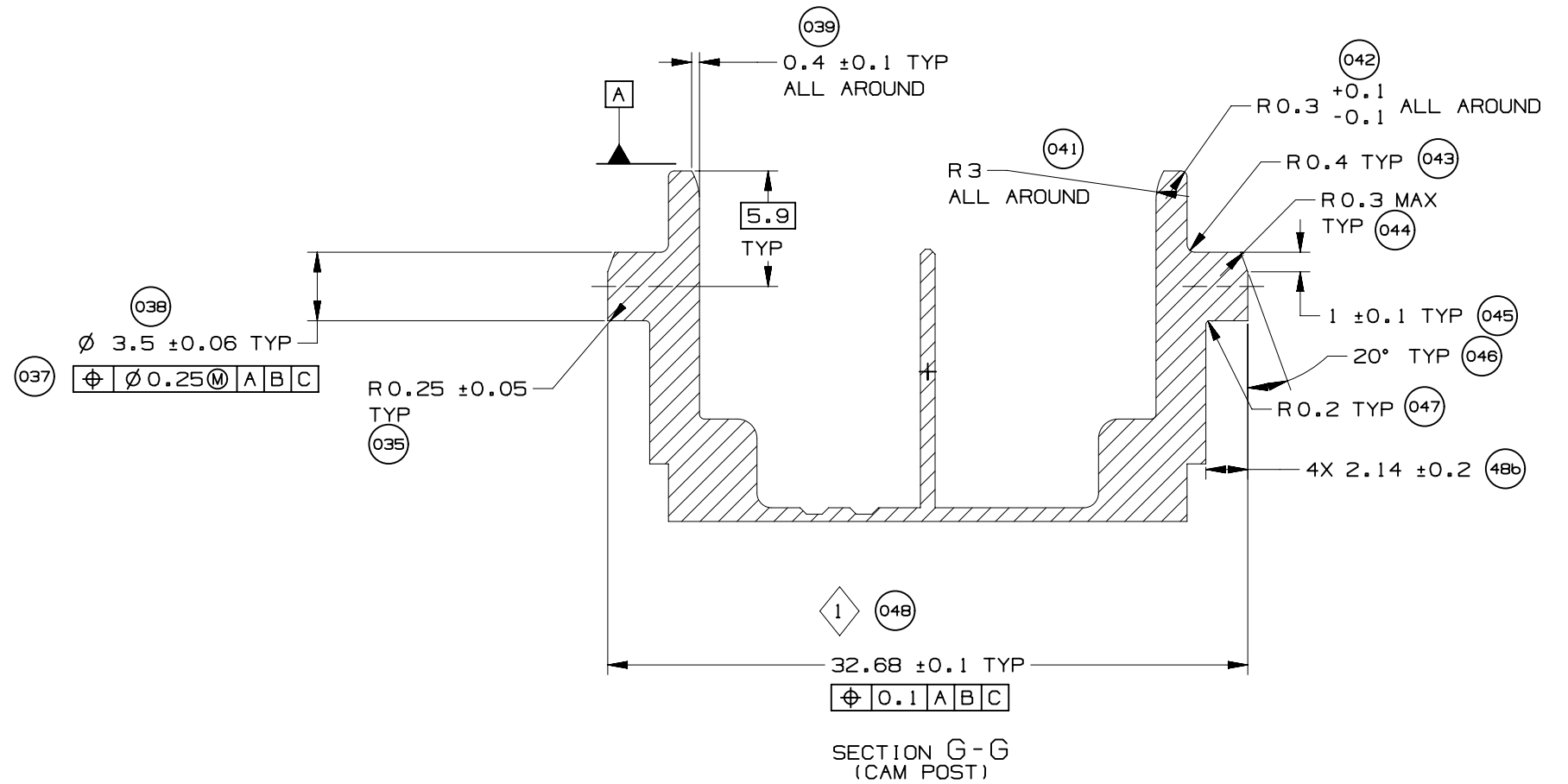
PAGE TITLE  
COMPONENT CONNECTOR INTERFACE

DRAWING NUMBER  
12642695

DWG STATUS			PAGE NUMBER
ST	REV	PD1	
R	002		15 OF 21

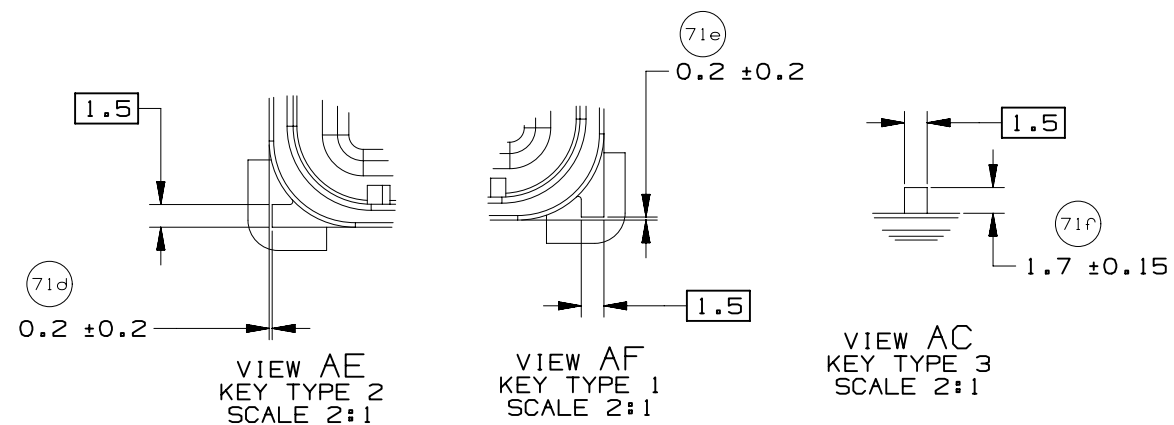
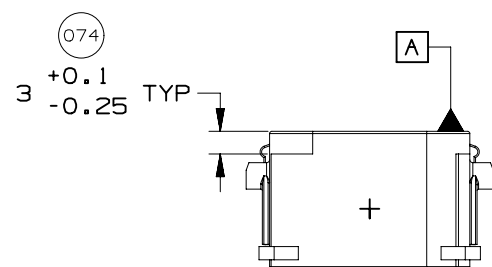
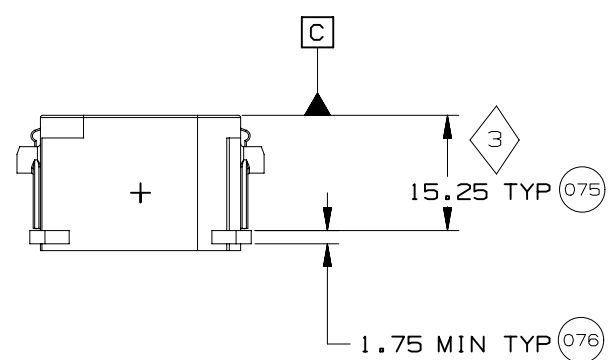
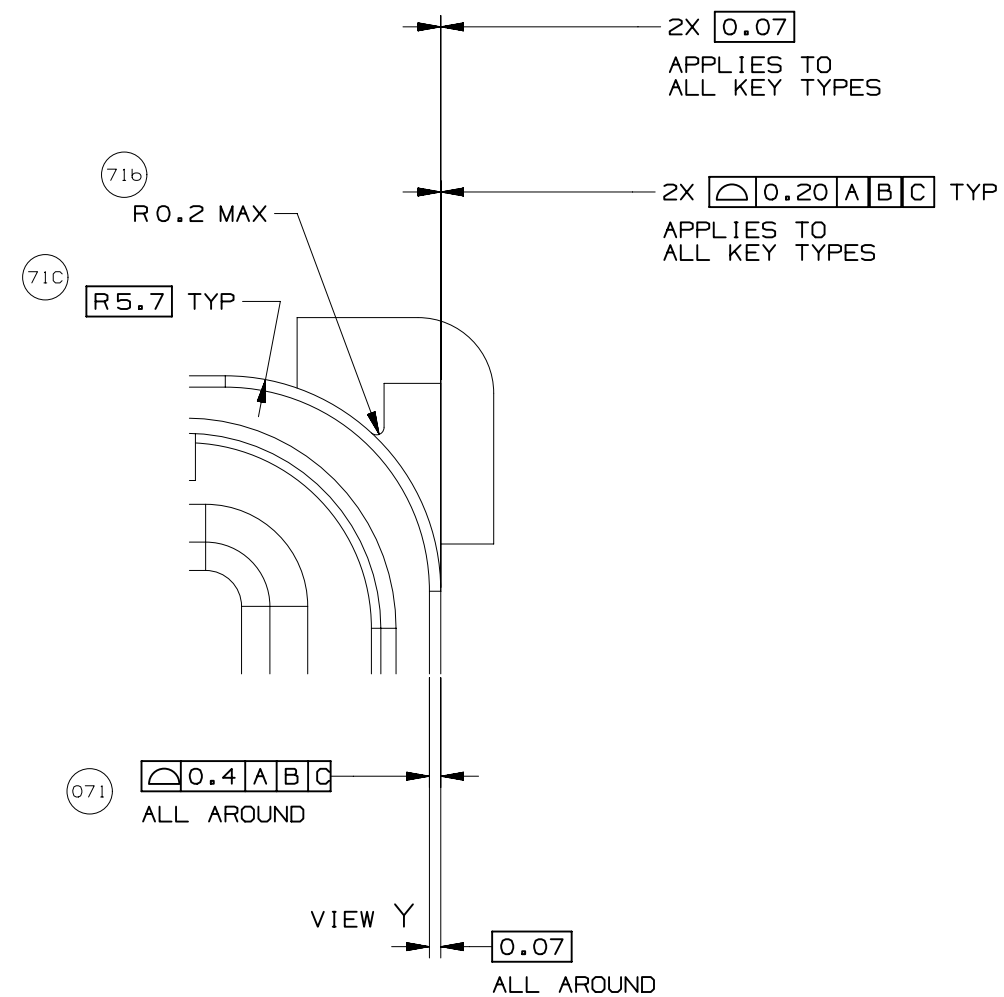
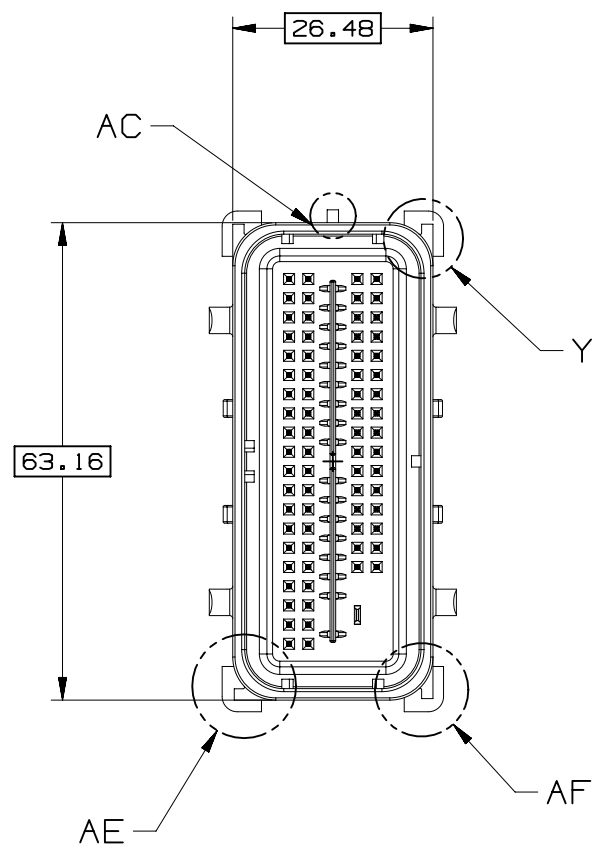
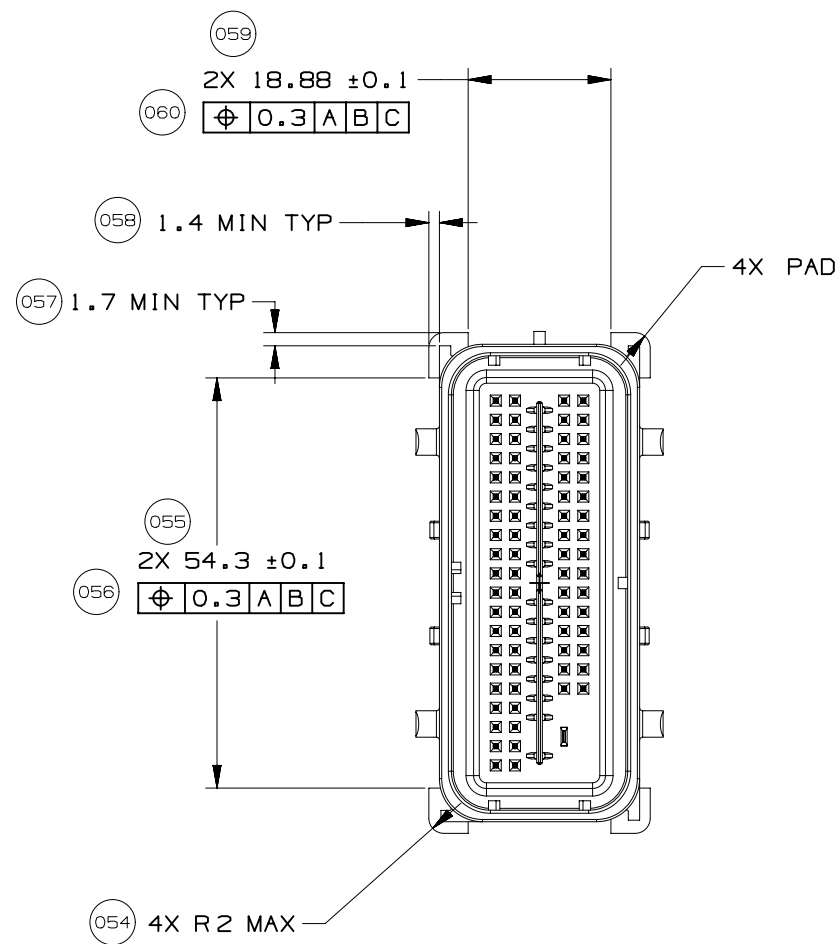


SECTION F-F



SECTION G-G (CAM POST)

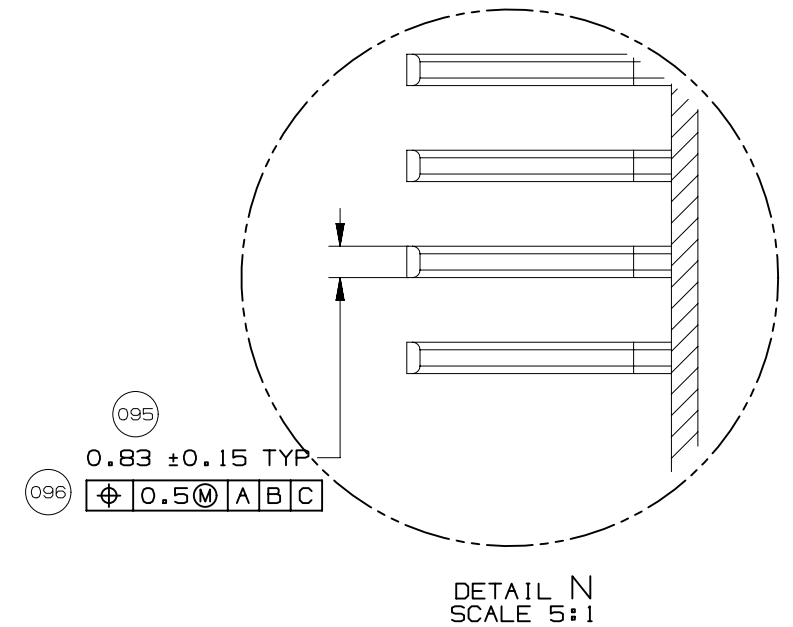
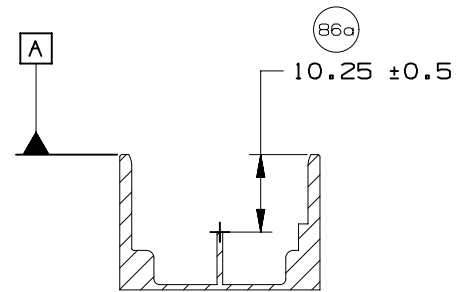
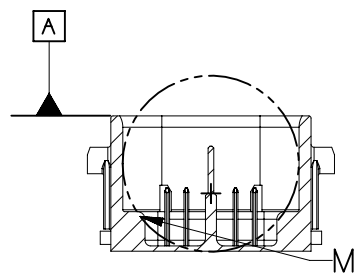
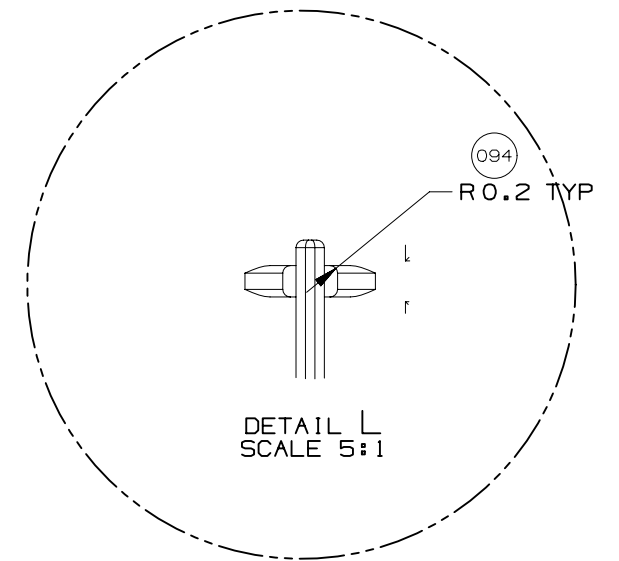
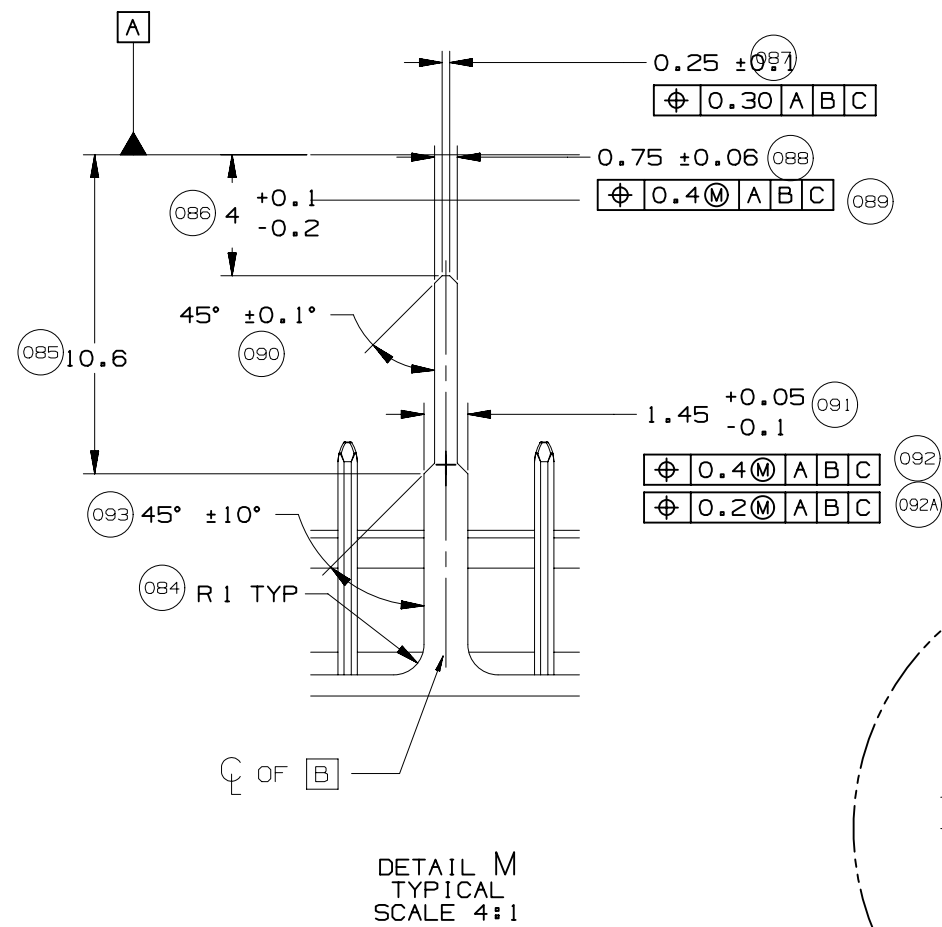
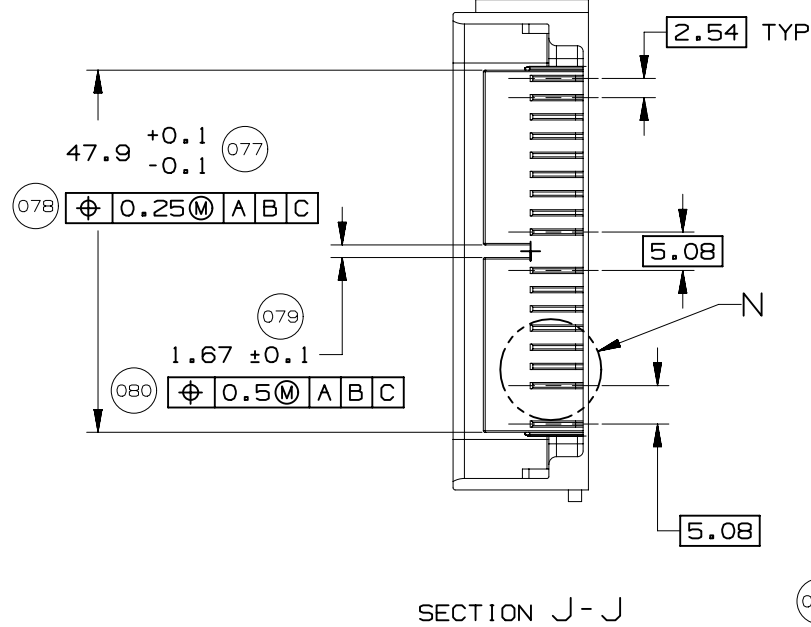
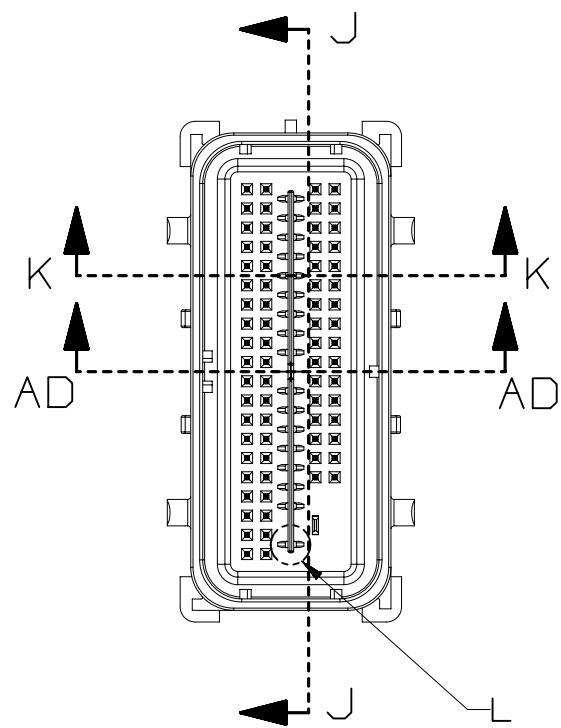




PAGE TITLE  
 COMPONENT CONNECTOR INTERFACE

DRAWING NUMBER  
 12642695

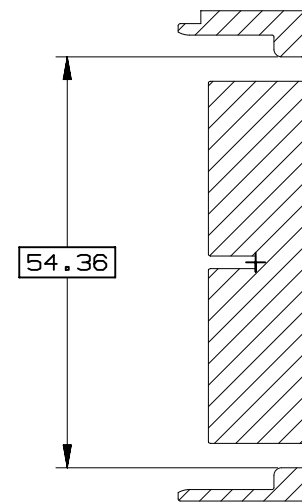
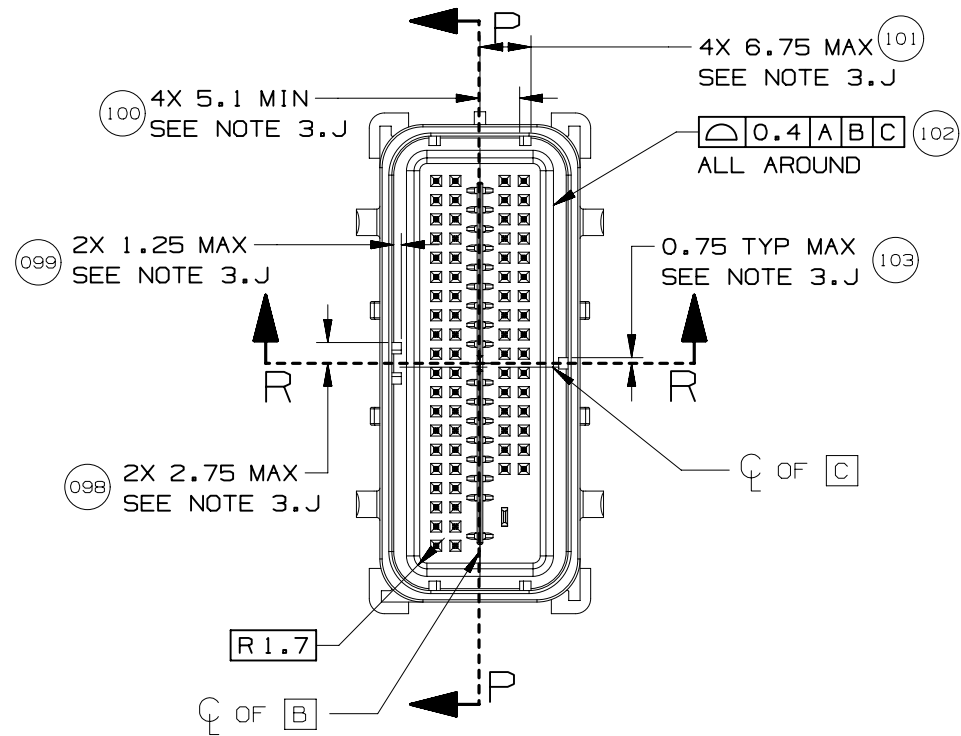
DWG STATUS			PAGE NUMBER
ST	REV	PD1	
R	002		17 OF 21



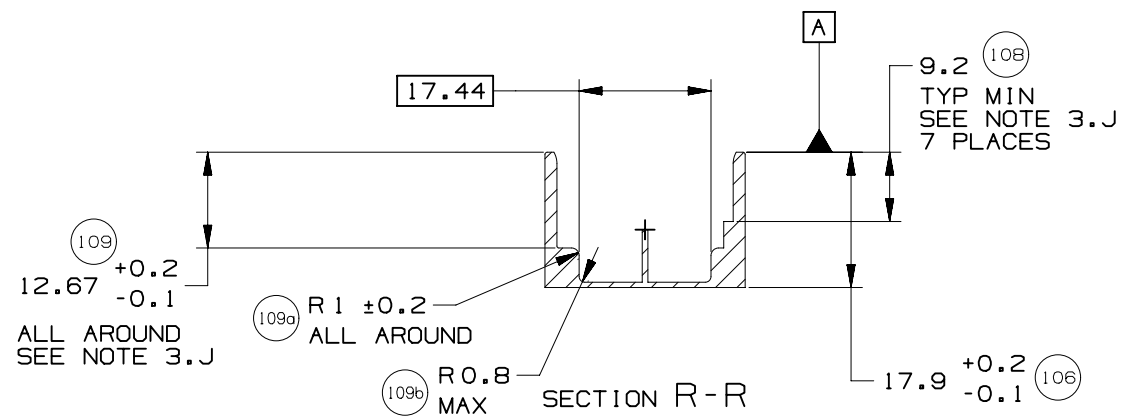
PAGE TITLE  
COMPONENT CONNECTOR INTERFACE

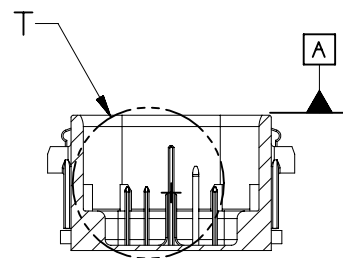
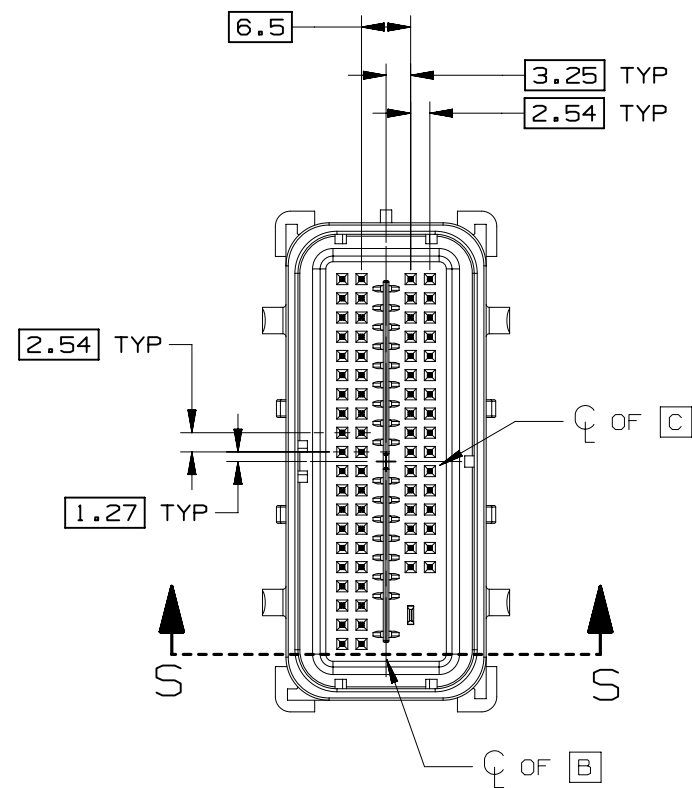
DRAWING NUMBER  
12642695

DWG STATUS			PAGE NUMBER
ST	REV	PD1	
R	002		18 OF 21

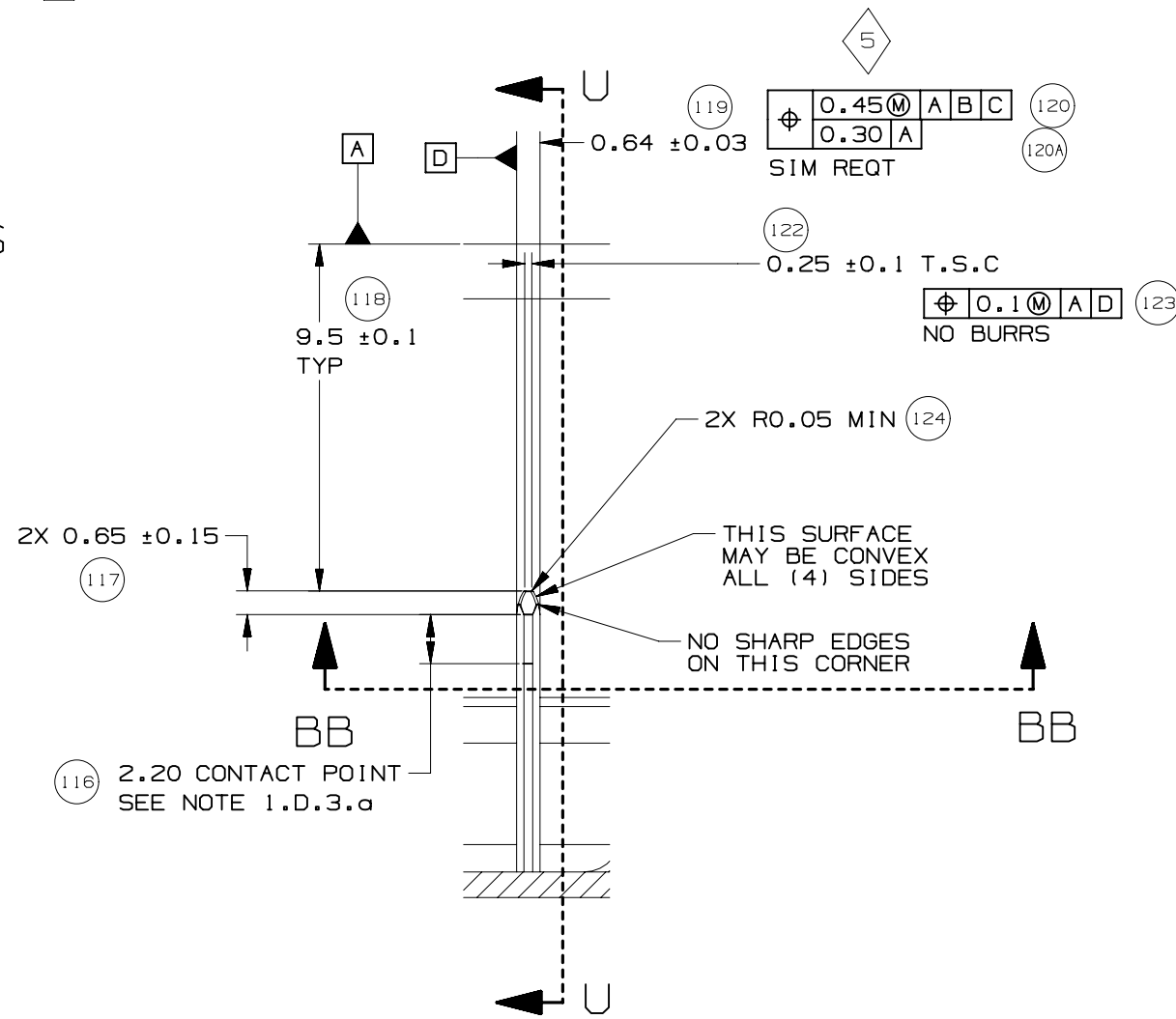


SECTION P-P

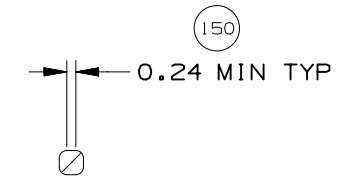




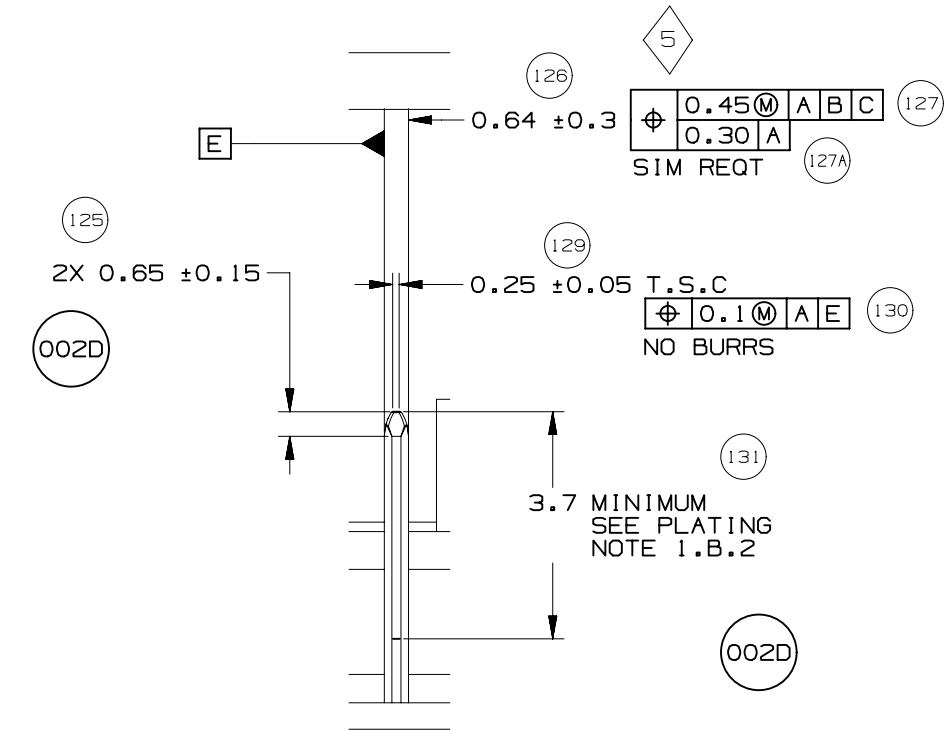
SECTION S-S



DETAIL T  
TYPICAL  
SCALE 5:1

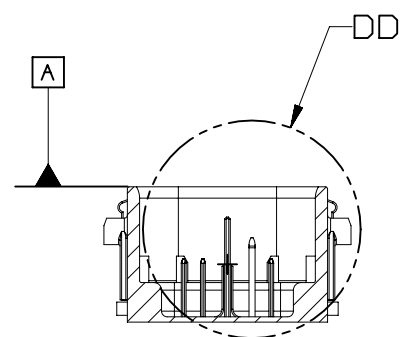
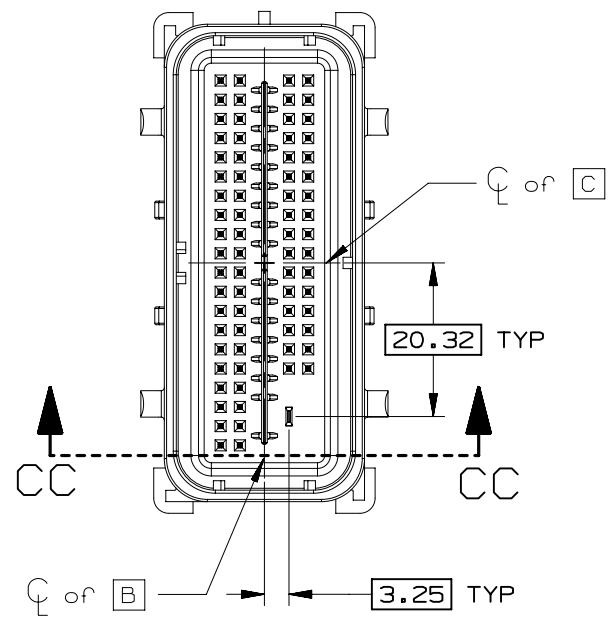


SECTION BB-BB

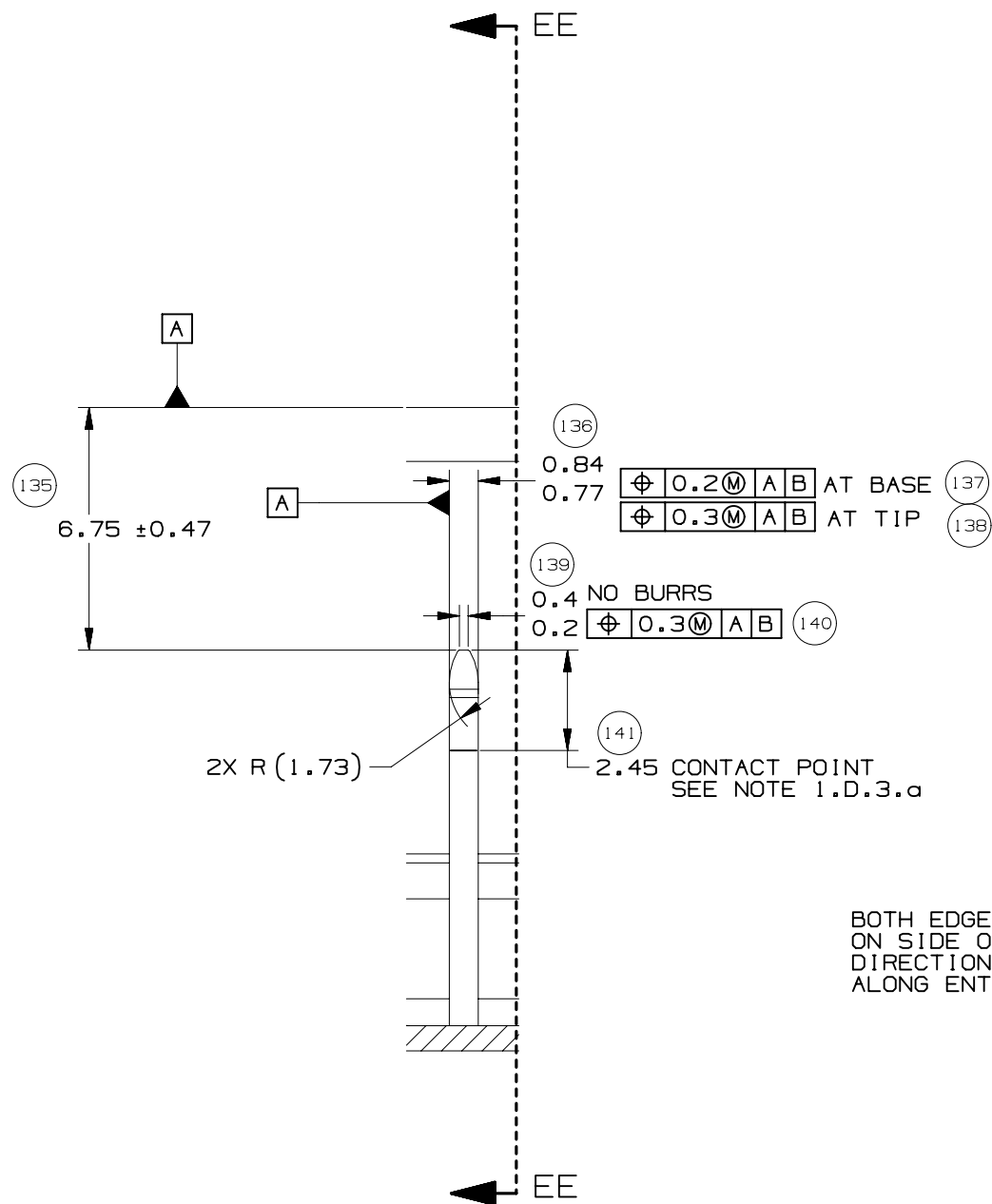


SECTION U-U

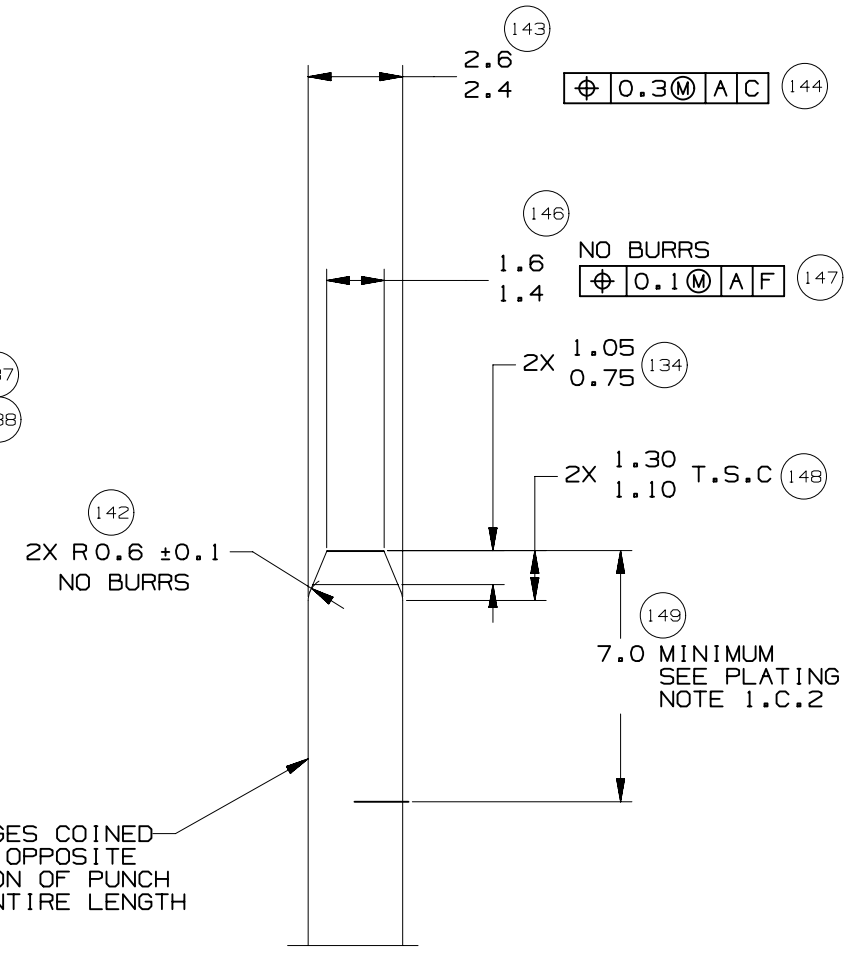




SECTION CC-CC



DETAIL DD  
TYPICAL  
SCALE 5:1

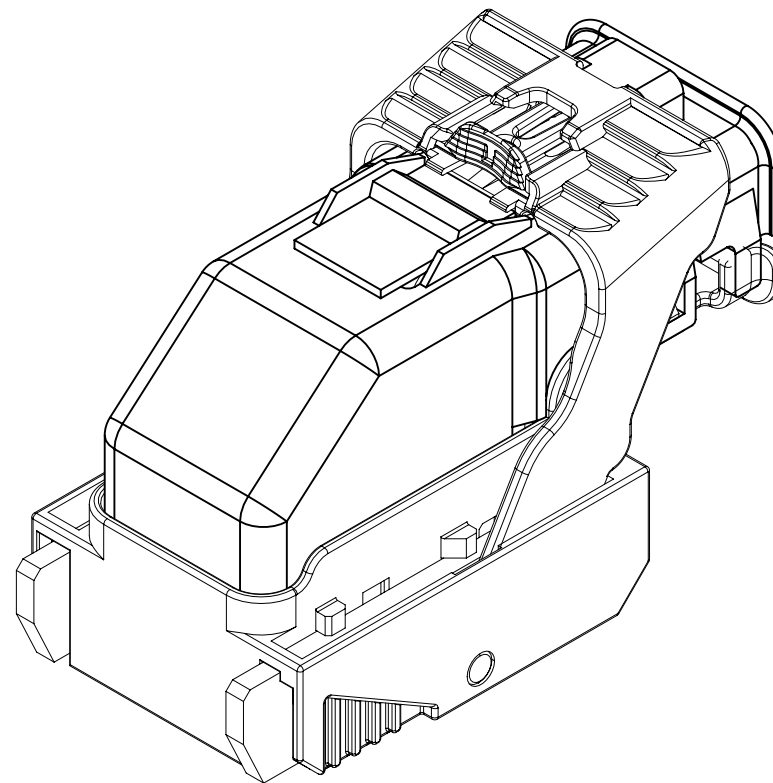


SECTION EE-EE  
TYPICAL


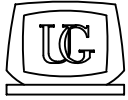
BOTH EDGES COINED  
ON SIDE OPPOSITE  
DIRECTION OF PUNCH  
ALONG ENTIRE LENGTH



INDEX	
PAGE TITLE	PAGE
TITLE BLOCK	1
REVISION BLOCK	2
PART BLOCK	3
KPC BLOCK	4
COMPONENT TABLE	5
NOTES	6
NOTES	7
WIRE DRESS PACKAGING DIMENSIONS	8
LOCATION AND PACKAGING DIMENSIONS REFERENCING INTERFACE DATUMS B & C	9
LOCATION AND PACKAGING DIMENSIONS REFERENCING INTERFACE DATUM A	10
KEY ID REF - WIRE DRESS OPTION 0	11
KEY ID REF - WIRE DRESS OPTION 9	12
CIRCUIT CONFIGURATIONS	13
CIRCUIT CONFIGURATIONS	14
COMPONENT CONNECTOR INTERFACE	15
COMPONENT CONNECTOR INTERFACE	16
COMPONENT CONNECTOR INTERFACE	17
COMPONENT CONNECTOR INTERFACE	18
COMPONENT CONNECTOR INTERFACE	19
COMPONENT CONNECTOR INTERFACE	20
COMPONENT CONNECTOR INTERFACE	21
COMPONENT CONNECTOR INTERFACE	22
ADDITIONAL COMPONENTS REQUIRED	23




ISO VIEW

	THIS DOCUMENT IS IN ACCORDANCE WITH ASME Y14.5M-1994 AS AMENDED BY THE GM GLOBAL DIMENSIONING AND TOLERANCING ADDENDUM - 2004.			DATE	
	 CHANGE RESTRICTED NO MANUAL CHANGES	REFERENCE 12H (MOLEX AUTOMOTIVE)	DRAFTER D. KOEHLER		04JN15
APVD1					
APVD2					
APVD3					
APVD4					
APVD5					
DO NOT SCALE	DRAWING NAME				
METRIC DIMENSIONS SHOWN IN MILLIMETERS UNLESS OTHERWISE SPECIFIED	HARNESS CONN ASM-SEALED 18/49/56 CKTS, MX123				
	DRAWING NUMBER	DWG STATUS			PAGE NUMBER
		12672832			
		ST	REV	PD1	
		R	001		1 of 23

PAGE	DWG STATUS					REVISION HISTORY	AUTH	DR	CK	ENG
	DATE	ST	REV	CHG	PDI					

PAGE	DWG STATUS					REVISION HISTORY	AUTH	DR	CK	ENG
	DATE	ST	REV	CHG	PDI					
	03JN15	R	001			RELEASED TO PRODUCTION AT DLS A	CRMRJE	DFK		

	PAGE TITLE	DRAWING NUMBER	DWG STATUS			PAGE NUMBER	
	REVISION BLOCK		12672832	ST	REV		PDI
				R	001		





KEY PRODUCT CHARACTERISTICS  
(IN ACCORDANCE WITH QN 1805 OR ON 1050)



SAFETY/COMPLIANCE

TOTAL ON  
DRAWING

4



FIT/FUNCTION

LAST NO.  
USED

4

NO	TYPE	DESCRIPTION	RATIONALE	PAGE/ZONE
1	F/F	32.68	IMPROVE CONNECTOR SYSTEM MATING	16
2	F/F	29.00	INSURE PROPER RELEASE OF LEVER	16
3	F/F	15.25	INSURE FINAL MATE POSITION	17
4	F/F	POSITIONAL TOLERANCE (2 PLACES)	INSURE CONNECTOR SYSTEM MATIBILITY	20



PAGE TITLE  
KPC BLOCK

DRAWING NUMBER

12672832

DWG STATUS

ST	REV	PD1
----	-----	-----

R	001	
---	-----	--

PAGE NUMBER

4 OF 23

Γ J 0	MFG.	MFG. P/N	GM P/N	Effective Date	APPLICABLE COMPONENTS					
					DESCRIPTION	Key Option	Wire Dress Option	Key Config.	Color	Status
1	MOLEX	34575-0003	12582679	02JN03	WIRE HARNESS COVER	N/A	NA	N/A	BLACK	AVAILABLE
2	MOLEX	34851-0007	12672834	31AU15	HARN CONN ASM 18 CKT	G	0	1358	BLUE	ACTIVE
3	MOLEX	34851-0008	12672836	31AU15	HARN CONN ASM 18 CKT	H	0	2458	ST GRAY	ACTIVE
4	MOLEX	34851-0019	12672835	31AU15	HARN CONN ASM 18 CKT	G	9	1358	BLUE	ACTIVE
5	MOLEX	34851-0020	12672837	31AU15	HARN CONN ASM 18 CKT	H	9	2458	ST GRAY	ACTIVE
6	MOLEX	34576-0103	12672838	31JL15	HARN CONN ASM 49 CKT	A	0	1458	BLACK	ACTIVE
7	MOLEX	34576-0203	12672840	T.B.D.	HARN CONN ASM 49 CKT	B	0	1468	ST GRAY	NOT ACTIVE
8	MOLEX	34576-0303	12672842	31JL15	HARN CONN ASM 49 CKT	C	0	2467	BLUE	ACTIVE
9	MOLEX	34576-1303	12672839	31JL15	HARN CONN ASM 49 CKT	A	9	1458	BLACK	ACTIVE
10	MOLEX	34576-1403	12672841	T.B.D.	HARN CONN ASM 49 CKT	B	9	1468	ST GRAY	NOT ACTIVE
11	MOLEX	34576-1503	12672843	31JL15	HARN CONN ASM 49 CKT	C	9	2467	BLUE	ACTIVE
12	MOLEX	34576-0703	12672848	11JN04	HARN CONN ASM 56 CKT	G	0	1358	BLUE	AVAILABLE
13	MOLEX	34576-0803	12672846	11JN04	HARN CONN ASM 56 CKT	H	0	2458	ST GRAY	AVAILABLE
14	MOLEX	34576-0903	12672844	T.B.D.	HARN CONN ASM 56 CKT	J	0	2457	BLACK	NOT ACTIVE
15	MOLEX	34576-1903	12672849	11JN04	HARN CONN ASM 56 CKT	G	9	1358	BLUE	AVAILABLE
16	MOLEX	34576-2003	12672847	T.B.D.	HARN CONN ASM 56 CKT	H	9	2458	ST GRAY	NOT ACTIVE
17	MOLEX	34576-2103	12672845	T.B.D.	HARN CONN ASM 56 CKT	J	9	2457	BLACK	NOT ACTIVE
18	MOLEX	34736-0028	12672851	01AU10	MX64 RCPT TERM Ag 0.5mm/0.75mm ISO GAGE B (RIGHT PAYOFF)	N/A	N/A	N/A	N/A	AVAILABLE
19	MOLEX	34736-0026	12672850	01AU10	MX64 RCPT TERM Ag 0.35mm ISO B (RIGHT PAYOFF)	N/A	N/A	N/A	N/A	AVAILABLE
20	MOLEX	34586-0001	12674820	11JN04	MX123 0.64MM GROMMET PLUG	N/A	N/A	N/A	NATURAL	AVAILABLE
21	YAZAKI	7116-4150-02	12588066	02JN03	2.8mm YESC SEALED FEMALE TERMINAL TIN 0.35mm2-0.50mm2	N/A	N/A	N/A	N/A	NOT ACTIVE
22	YAZAKI	7116-4151-02	12588067	02JN03	2.8mm YESC SEALED FEMALE TERMINAL TIN 0.75mm2-1.0mm2	N/A	N/A	N/A	N/A	NOT ACTIVE
23	YAZAKI	7116-4152-02	12582685	02JN03	2.8mm YESC SEALED FEMALE TERMINAL TIN 1.5mm2-2.5mm2	N/A	N/A	N/A	N/A	AVAILABLE
24	YAZAKI	7158-3111-60	12588068	02JN03	2.8mm CABLE SEAL (wire O.D. range 1.2mm-1.9mm)	N/A	N/A	N/A	GREEN	NOT ACTIVE
25	YAZAKI	7158-3112-70	12588069	02JN03	2.8mm CABLE SEAL (wire O.D. range 1.8mm-2.3mm)	N/A	N/A	N/A	YELLOW	NOT ACTIVE
26	YAZAKI	7158-3113-40	12582686	02JN03	2.8mm CABLE SEAL (wire O.D. range 2.1mm-3.0mm)	N/A	N/A	N/A	WHITE	AVAILABLE
27	YAZAKI	7158-3114-90	12674821	02JN03	2.8mm YESC CAVITY PLUG	N/A	N/A	N/A	BLUE	AVAILABLE
28	DELPHI	33140138	12646399	10JA14	6.35mm APEX RCPT TERM Sn/Ag GRIP CODE-10 (6mm2) - GREASED	N/A	N/A	N/A	N/A	AVAILABLE
29	DELPHI	33140135	12654556	10JA14	6.35mm APEX RCPT TERM Sn/Ag GRIP CODE-TBD (1mm2) - GREASED	N/A	N/A	N/A	N/A	AVAILABLE
30	QSR	A-0549C	12646688	01SE14	6.35mm CABLE SEAL (FOR 6.0mm2 WIRE SIZE - 3.6 TO 4.2mm INSULATION OD)	N/A	N/A	N/A	WHITE	AVAILABLE
31	QSR	A-0549B	12654557	01SE14	6.35mm CABLE SEAL (FOR 0.75-1.25mm2 WIRE SIZE - 1.8 TO 2.3mm INSULATION OD)	N/A	N/A	N/A	BLUE	AVAILABLE
32	MOLEX	63825-8400	N/A	02JN03	MX64 TERM HAND CRIMP TOOL	N/A	N/A	N/A	N/A	AVAILABLE
33	MOLEX	63813-1400	XX019826	02JN03	MX64 TERM SERVICE TOOL	N/A	N/A	N/A	N/A	AVAILABLE
34	MOLEX	63902-5300	N/A	02JN03	MX64 CRIMP APPLICATOR with TOOL KIT 0.5/0.75mm2 PAYOFF DIRECTION D (left payoff) (contact Molex for payoff detail)	N/A	N/A	N/A	N/A	AVAILABLE
35	MOLEX	63902-5370	N/A	02JN03	MX64 APPLICATOR TOOL KIT 0.5/0.75mm2	N/A	N/A	N/A	N/A	AVAILABLE
36	MOLEX	63902-5100	N/A	02JN03	MX64 CRIMP APPLICATOR with TOOL KIT 0.35mm2 PAYOFF DIRECTION D (left payoff) (contact Molex for payoff detail)	N/A	N/A	N/A	N/A	AVAILABLE
37	MOLEX	63902-5170	N/A	02JN03	MX64 APPLICATOR TOOL KIT 0.35mm2	N/A	N/A	N/A	N/A	AVAILABLE
38	SPX	J35616-64	T.B.D.	02JN03	0.64mm PROBE TOOL (for rcpt)	N/A	N/A	N/A	N/A	AVAILABLE
39	SPX	J35616-64A	T.B.D.	02JN03	0.64mm PROBE TOOL WITH EXT (for rcpt)	N/A	N/A	N/A	N/A	AVAILABLE
40	SPX	J35616-65	T.B.D.	02JN03	0.64mm PROBE TOOL WITH EXT (for pin)	N/A	N/A	N/A	N/A	AVAILABLE
41	SPX	J35616-4A	T.B.D.	02JN03	2.8mm PROBE TOOL (for rcpt)	N/A	N/A	N/A	N/A	AVAILABLE
42	YAZAKI	X39899-J374	12094430	02JN03	2.8mm TERM SERVICE TOOL	N/A	N/A	N/A	N/A	AVAILABLE
43	TQI	7000-1001	N/A	01FE15	18CKT PASS THROUGH ADAPTERS	N/A	N/A	N/A	BLACK	AVAILABLE
44	TQI	7000-1004	N/A	01FE15	49CKT PASS THROUGH ADAPTERS	N/A	N/A	N/A	BLACK	AVAILABLE
45	TQI	79917-0060	N/A	02JA08	56CKT PASS THROUGH ADAPTERS	N/A	N/A	N/A	BLACK	AVAILABLE
46	MOLEX	63813-1500	J-38125-217	01SE14	6.35mm APEX TERM SERVICE TOOL	N/A	N/A	N/A	N/A	AVAILABLE

\* MX123 WIRE HARNESS COVER  
MATES TO ANY 18/49/56 CKT  
MX123 HARN CONN ASSY  
SHOWN ON THIS TABLE



PAGE TITLE  
COMPONENT TABLE

DRAWING NUMBER

12672832

DWG STATUS

ST REV PDI

R 001

PAGE NUMBER

5 of 23

NOTES: UNLESS OTHERWISE SPECIFIED

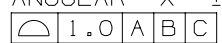
1. MATERIAL FOR INTERFACE:

- A. RESIN:
  - 1. 30% G.F. PBT; 20% MAX. (BY WEIGHT) REGRIND.
  - 2. MATING CONNECTOR INTERFACE PART COLOR MUST BE SAME AS MATCHING KEYED HARNESS CONNECTOR ASSEMBLY.
  - 3. MUST BE VALIDATED FOR INDIVIDUAL DEVICE APPLICATION REQUIREMENTS.
- B. 0.64MM PINS:
  - 1. BASE MATERIAL: COPPER ALLOY; CONDUCTIVITY >= 28% IACS AT 20°C; TENSILE STRENGTH >= 635 N/mm<sup>2</sup>; SURFACE ROUGHNESS R<sub>a</sub> 6 MAX.
  - 2. PLATING FINISH: SILVER (Ag). PLATING TO BE 1.9-3.3 μm ELECTRODEPOSITED SEMI-BRIGHT SILVER OVER 1.25-2.25 μm DUCTILE SULPHAMATE NICKEL PER NOTE 1(D).
  - 3. ANTI-TARNISH: SYNTHETIC HYDROCARBON CONTACT SURFACE FINISH OR EQUIVALENT APPLIED WITHOUT VOID TO CONTACT AREA (MIN 3.7mm FROM PIN TIP).
- C. 2.8MM BLADE:
  - 1. BASE MATERIAL: COPPER ALLOY; CONDUCTIVITY >= 28% IACS AT 20°C; TENSILE STRENGTH >= 350 N/mm<sup>2</sup>; SURFACE ROUGHNESS R<sub>a</sub> 6 MAX.
  - 2. PLATING FINISH: TIN. PLATING TO BE 2.5-5.0 μm ELECTRODEPOSITED TIN, MATTE FINISH OVER 1.25-2.5μm DUCTILE SULPHAMATE NICKEL PER NOTE 1(D).
- D. 6.3MM BLADE:
  - 1. BASE MATERIAL: COPPER ALLOY; CONDUCTIVITY >= 50% IACS AT 20°C;
  - 2. PLATING FINISH: SILVER (Ag) PLATING TO BE 1.9-3.3 μm ELECTRODEPOSITED SEMI-BRIGHT SILVER, OVER 1.25-2.5μm DUCTILE SULPHAMATE NICKEL PER NOTE 1(D) WITH ENVIRONMENTAL BARRIER OR TIN/SILVER (ELECTRO-DEPOSITED), UNDERPLATE 0.5-2.0 μm NICKEL OR COPPER. TOP PLATING: 1.0-3.0 μm (SILVER RANGE 3.75-X.XX NO ANTI-TARNISH COATING REQUIRED).
- E. PLATING REQUIREMENTS:
  - 1. SILVER PLATING
    - a. 99.5% PURE SEMI-BRIGHT WITH NO ORGANIC BRIGHTNERS OR CHROMATES.
  - 2. NICKEL PLATING
    - a. ELECTRODEPOSITED DUCTILE SULFAMATE NICKEL WITH A NON-BRIGHTENED FINISH. NO ORGANIC OR BRIGHTENING AGENTS SHALL BE ALLOWED.
    - b. SHALL ONLY BE USED AS AN UNDERLYING PLATING AND MAY NOT BE USED AS AN ELECTRICAL CONTACT SURFACE PLATING.
    - c. SHALL BE NODULE FREE WHEN VIEWED AT 10X MAGNIFICATION IN MEASURED IN CONTACT SURFACE AREA PLUS 0.5MM PERIMETER AROUND THE CONTACT SURFACE AREA.
    - d. ALL PLATINGS SHALL HAVE A 1.0% MAXIMUM BY WEIGHT IMPURITIES. IMPURITIES ARE DEFINED AS ALL ELEMENTS NOT THE PRIMARY PLATING OR HARDENING AGENT IF APPLICABLE, AS DETERMINED BY WET CHEMICAL ANALYSIS OR AUGER METHOD. NO SINGLE IMPURITY SHALL EXCEED 0.1% MAXIMUM BY WEIGHT.
  - 3. TESTING
    - a. THICKNESS TO BE MEASURED IN CONTACT SURFACE AREA PLUS 0.5MM PERIMETER AROUND THE CONTACT SURFACE AREA AS DESIGNATED IN THE DRAWING. THICKNESS SHALL BE DETERMINED BY METHOD OF X-RAY (XRF).
    - b. PLATING ADHESION SHALL BE TESTED BY A BEND TEST FOR ALL METALS. THE TEST SAMPLE SHALL BE BENT 90 DEGREES TO DETERMINE DEPOSIT ADHESION. TESTING SHALL BE COMPLETED IN ACCORDANCE WITH ASTM SPEC B571.

2. DESIGN - GENERAL:


- A. THIS IS A 100% CAD GENERATED PART. THE CAD MATHEMATICAL DATA IS THE MASTER FOR THIS PART. WHERE DIMENSIONS ARE SPECIFIED ON THE DRAWING, THE DRAWING IS THE AUTHORITY FOR DIMENSIONAL VALUES. FOR DIMENSIONAL OR ANY INFORMATION NOT SHOWN ON THIS DRAWING, ANALYZE THE CAD MODEL.
- B. DIMENSIONS OBTAINED FROM THE DIGITAL MODEL ARE BASIC:
  - 1. FOR RELATIONSHIPS BETWEEN FEATURES WHEN ESTABLISHED BY GEOMETRIC TOLERANCES.
  - 2. FOR THE FORM OF A FEATURE WHEN CONTROLLED BY A PROFILE TOLERANCE.
  - 3. FOR THE SIZE, FORM AND/OR RELATIONSHIP BETWEEN FIXED DATUM TARGETS.
- C. DIMENSIONS OBTAINED FROM THE DIGITAL MODEL ARE ROUNDED TO TWO DECIMAL PLACES (PER IEEE/ASTM SI 10-2002)
- D. VIEWS AND SECTIONS ON THIS DRAWING ARE IN ACCORDANCE WITH GM DCS SECTION C3.
- E. THE DIGITAL MODEL MUST CORRESPOND TO THE RELEASE LEVEL SHOWN IN THE PART BLOCK ON THIS DOCUMENT.
- F. TOLERANCES:
  - 1. LINEAR
 

0.X	± 0.30
0.XX	± 0.10
0.XXX	± 0.10
  - 2. ANGULAR
 

X°	± 3°
----	------
  - 3. 
- G. MINIMUM WALL THICKNESS REQUIRED: 1.3mm.
- H. CORNERS SHOWN AS SHARP TO BE R 0.2 MAX.
- J. LETTERING SHALL BE 0.15 MAX RAISED IN 0.20 MAX RECESS PAD. THIS INCLUDES MATERIAL CODE, RECYCLING CODE, CAVITY ID AND DATE CODE.
- K-1. PARTS MUST BE FREE OF DISCOLORATION, SALT RESIDUE AND OTHER IMPERFECTIONS THAT AFFECT FIT OR FUNCTION.
- K-2. SCRATCHES OR DENTS NOT TO EXCEED 0.013mm IN DEPTH.
- L. FOLLOWING PRODUCTION CODES TO BE PERMANENTLY MARKED & HUMAN READABLE TO A LETTER HEIGHT OF 1.5 ±0.5MM X 0.3 MAX DEEP
  - 1. MATERIAL #: XXXXX-XXXX
  - 2. DATE CODE: JJJY (JULIAN DAY, LAST DIGIT OF YEAR)
  - 3. INSPECTION MACHINE CODE + SERIAL #: X-XXXXXX

3. DESIGN - MANUFACTURING:

- A. DRAFT TO BE WITHIN TOLERANCE.
- B. ALLOWABLE FLASH MAX 0.2 HIGH X MAX 0.13 THICK.
- C. ALLOWABLE PARTING LINE MISMATCH 0.2 MAX.
- D. EJECTOR PINS MARK TO BE FLUSH TO 0.25 MAX DEPRESSED.
- E. ALLOWABLE GATE VESTIGE FLUSH TO 0.25 MAX PROTRUSION.
- F. NO EXTERNAL MOLD RELEASE AGENT ALLOWED DURING MANUFACTURING.
- G. STEEL THAT FORMS THE INDICATED SURFACE MUST BE POLISHED WITH A DIAMOND FINISH (SPI A-2) OVER THE FULL PERIPHERY OF THE TOOL. SURFACE MUST HAVE NO MISMATCH.
- H. ANY PROCESS LUBRICANT REMAINING ON THE TERMINAL MUST NOT VARNISH OR DEGRADE IT'S ELECTRICAL PERFORMANCE UP TO A MAXIMUM CLASS AMBIENT TEMPERATURE PER SAE USCAR-2 FOR 1008 HOURS. PROCESS LUBRICANTS SHOULD BE APPROVED BY THE RESPONSIBLE ENGINEER.
- J. OPTIONAL FEATURES PROVIDED FOR AUTOMATION.
- K. PART MUST BE FREE FROM BURRS AND SHARP EDGES, WHICH MIGHT BE DETRIMENTAL TO SATISFACTORY ASSEMBLY, SAFE HANDLING OR FUNCTION OF PART.
- L. PARTS AS DELIVERED TO ASSEMBLY SHALL BE CLEAN AND FREE OF DEBRIS, RESIDUAL ABRASIVE MATERIAL AND CORROSION PRODUCTS ADVERESLY AFFECTING FUNCTION OR APPEARANCE.
- M. RESTRICTED AND REPORTABLE SUBSTANCES FOR PARTS PER GMW3059.

	PAGE TITLE	DRAWING NUMBER	DWG STATUS			PAGE NUMBER
	NOTES		12672832			
			ST	REV	PDI	
			R	001		

NOTES: UNLESS OTHERWISE SPECIFIED

4. SYSTEM REQUIREMENTS:

- A. HARNESS CONNECTOR IS COMPATIBLE WITH THE FOLLOWING WIRE SIZE NO'S:  
 0.35mm<sup>2</sup>, MEETING GMW15626 - MIN OD OF 1.30MM  
 0.50mm<sup>2</sup>, MEETING GMW15626  
 0.75mm<sup>2</sup>, MEETING GMW15626 - MIN OD OF 2.06MM

B. CABLE TIE SPECIFICATIONS:

1. CABLE TIE:  
 TENSILE RATING: 220N / (50lbs) MIN  
 TIE LENGTH: 186mm MIN  
 TIE WIDTH: 4.75mm MAX  
 MATERIAL: NYLON
2. INSTALLATION:  
 CABLE TIE TENSION: 190N MIN
3. DRESSED WIRE BUNDLE PACKAGING: SEE FIG. 1

C. WHEN MATED WITH COMPONENT CONNECTOR INTERFACE AND/OR DRESS COVER, HARNESS CONNECTOR SYSTEM CONFORMS TO THE FOLLOWING:

1. SAE/USCAR-2, REV: 3 APRIL, 2001; CLASS 3
2. FIELD CORRELATED LIFE TEST, SAE/USCAR-20, NOV. 2001
3. GMW #3191 AUGUST 22, 2000 (DRAFT); TEMPERATURE CLASS 3 (145°C), SEALING CLASS 1 (HIGH PRESSURE SPRAY), VIBRATION CLASS 2 (ON BODY)
4. TPA USER FORCES (FULLY POPULATED WITH TERMINALS)
  - α. REMOVAL FROM LOCK TO PRE-SET: <=120N

D. WIRE SPECIFICATIONS:

1. WIRE SURFACE MUST BE FREE OF SCRATCHES, GROOVES OR DENTS WHERE FUNCTIONAL

5. TERMINAL CURRENT RATINGS:

A. MX64 RCPT TERM

ALL TESTING DONE IN ACCORDANCE WITH USCAR-2 REV5 SECTION 5.3

1. MX64 RCPT TERM Ag 0.50/0.75mm<sup>2</sup> CRIMPED TO 0.75mm<sup>2</sup> ISO WIRE AND MATED TO MX123 0.64MM PIN: SEE TABLE BELOW
2. MX64 RCPT TERM Ag 0.35mm<sup>2</sup> CRIMPED TO 0.35mm<sup>2</sup> ISO WIRE AND MATED TO MX123 0.64MM PIN: SEE TABLE BELOW

WIRE	CURRENT RATING			
	23 °C	85 °C	105 °C	125 °C
0.75mm <sup>2</sup>	11.3A	11.3A	9.5A	6.6A
0.50mm <sup>2</sup>	10.0A	10.0A	8.3A	5.7A
0.35mm <sup>2</sup>	8.5A	8.5A	7.1A	5.0A

B. 2.8MM RCPT TERM

ALL TESTING DONE IN ACCORDANCE WITH MOLEX DVP&R 0279 (TR# 7125)

1. 2.8MM RCPT TERM TIN 2.0mm<sup>2</sup> CRIMPED TO 2.0mm<sup>2</sup> ISO WIRE AND MATED TO MX123 2.8MM BLADE: 25.6 AMPS AT 125°C

C. 6.3MM RCPT TERM - DELPHI APEX

ALL TESTING DONE IN ACCORDANCE WITH USCAR-2 REV5 SECTION 5.3

1. 6.3MM RCPT TERM TIN/SILVER CRIMPED TO 6.0MM<sup>2</sup> WIRE AND MATED TO MOLEX 6.3MM<sup>2</sup> BLADE (Sn/Ag PLATED): 36A AT 125°C

6. CONTACT MOLEX AUTOMOTIVE FOR AVAILABLE CUSTOM PATTERNS OF CAVITIES OPEN FOR CIRCUITS - SEE GM DRAWING 13507495



PAGE TITLE  
NOTES

DRAWING NUMBER

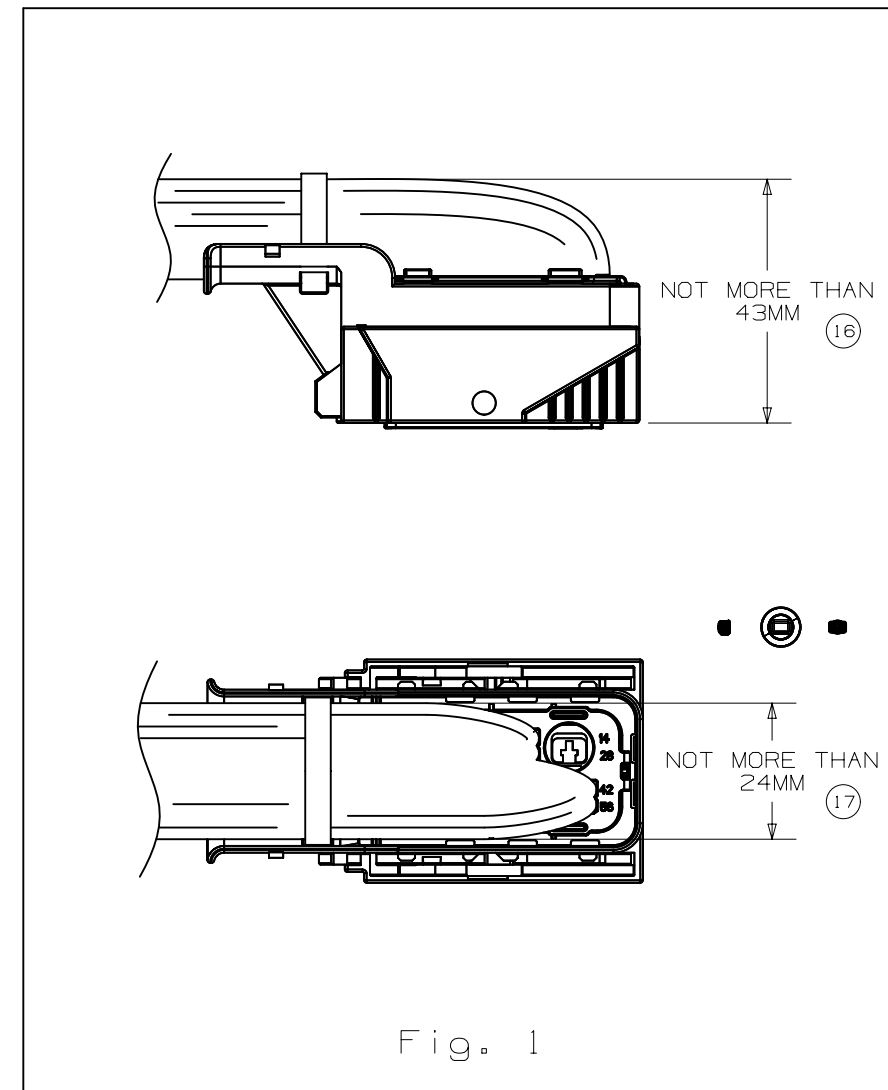
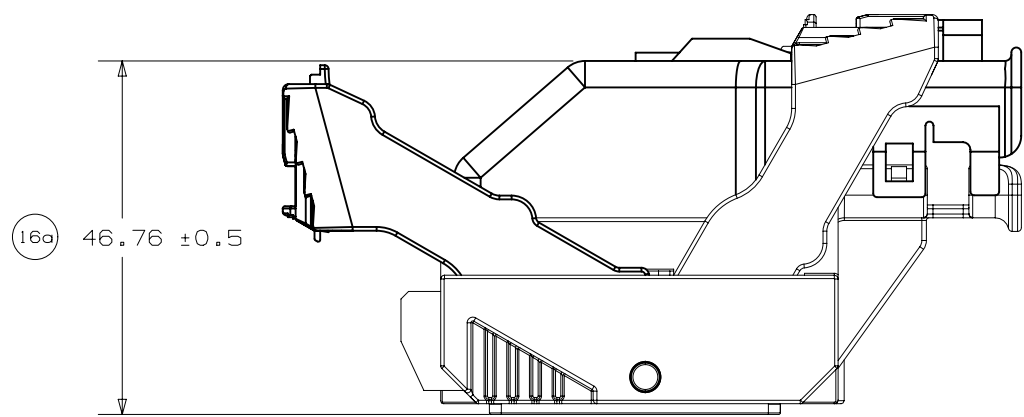
12672832

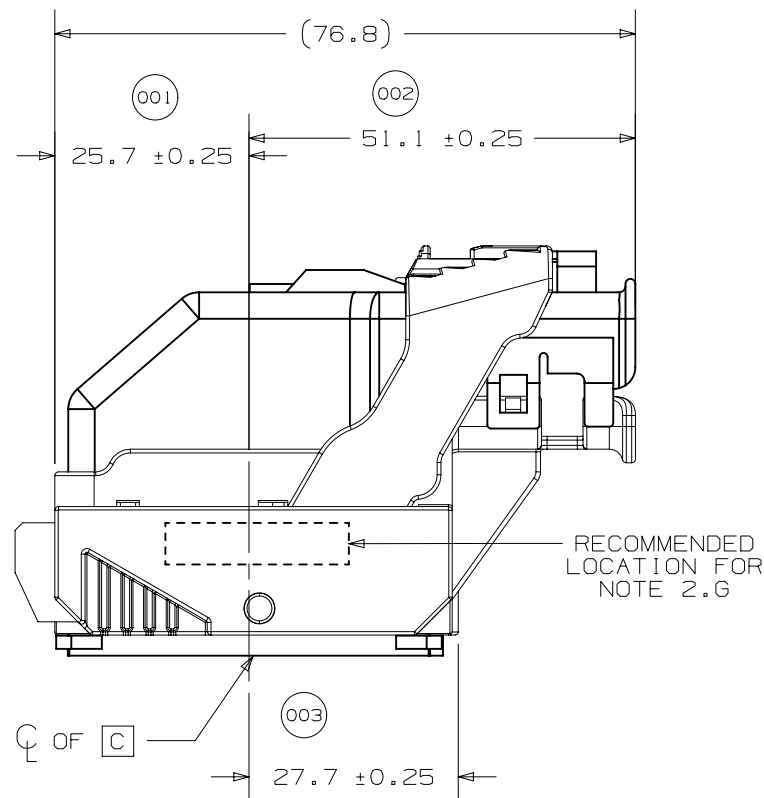
DWG STATUS

ST	REV	PD1
R	001	

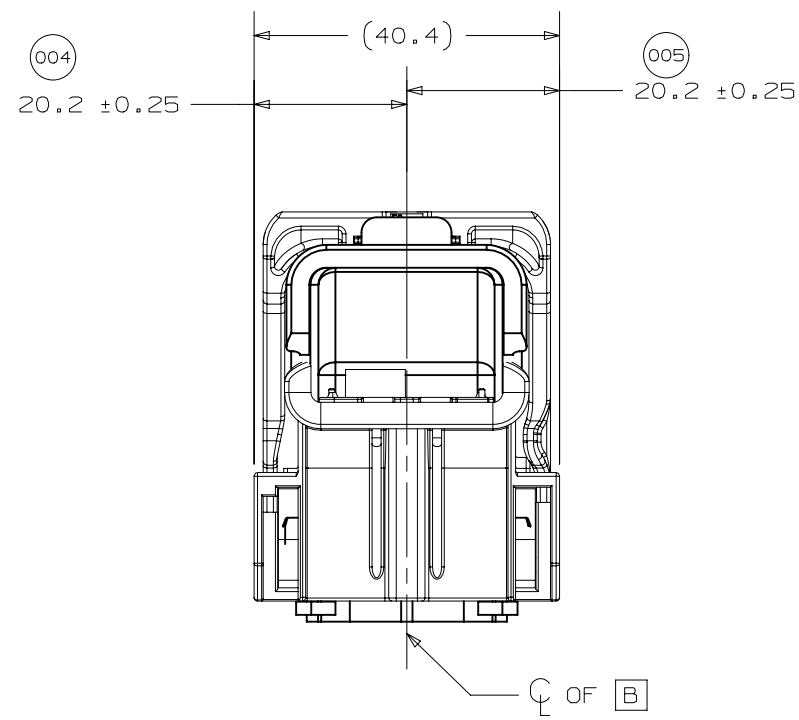
PAGE NUMBER

7 of 23

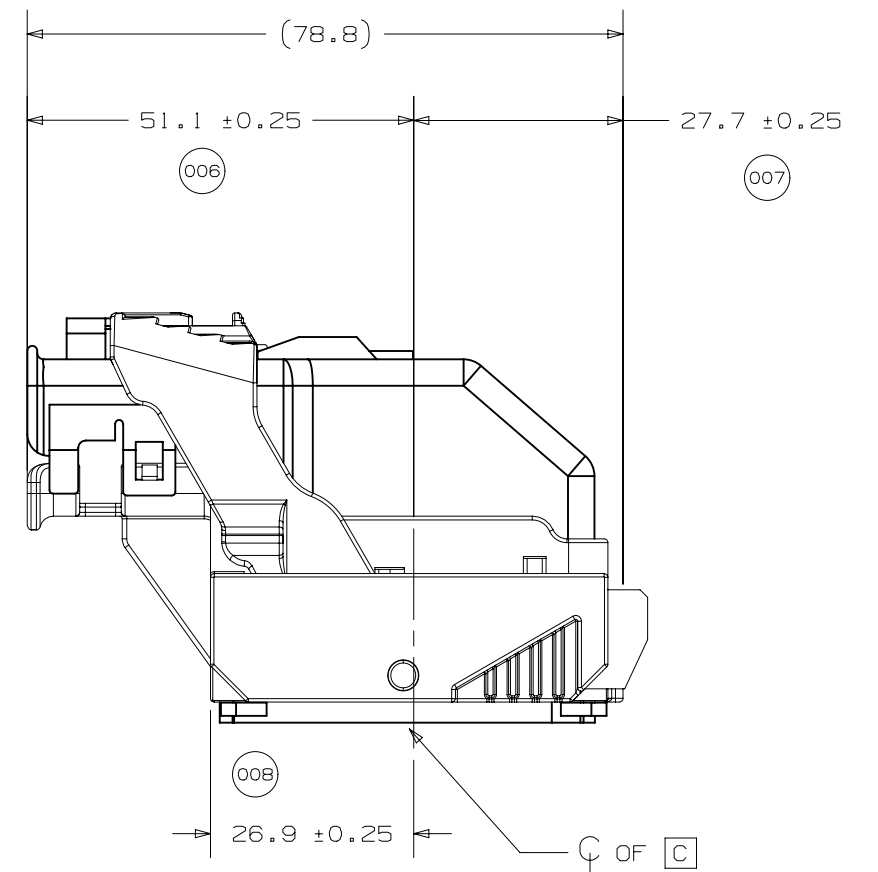




WIRE DRESS OPTION 0 SHOWN

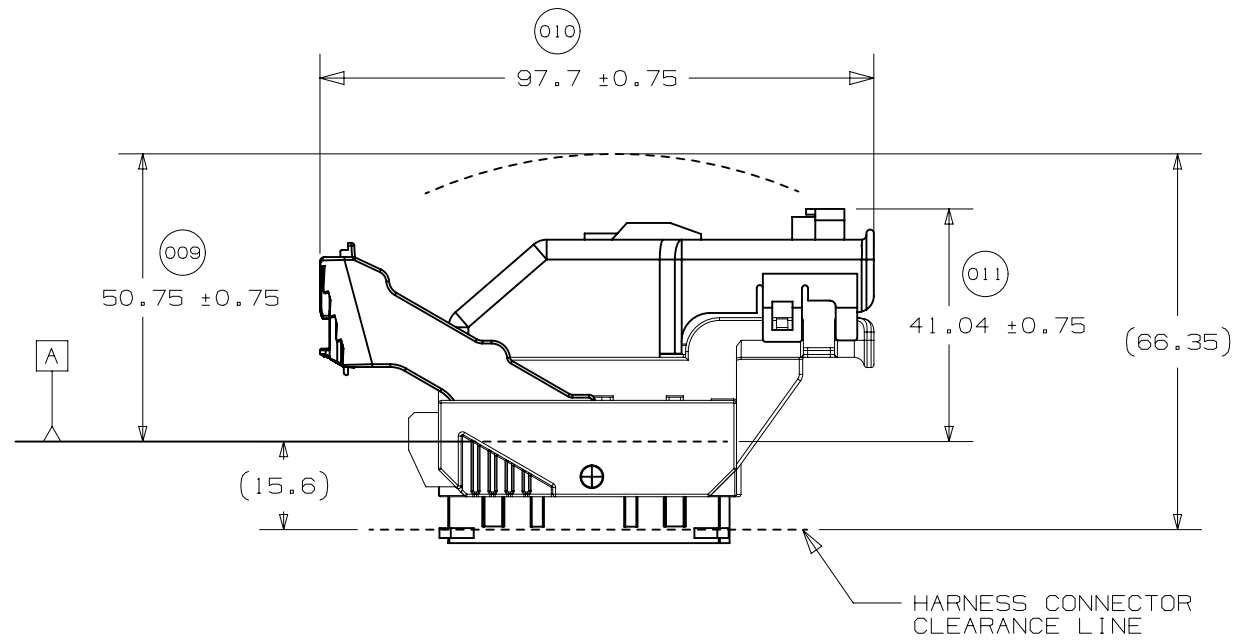
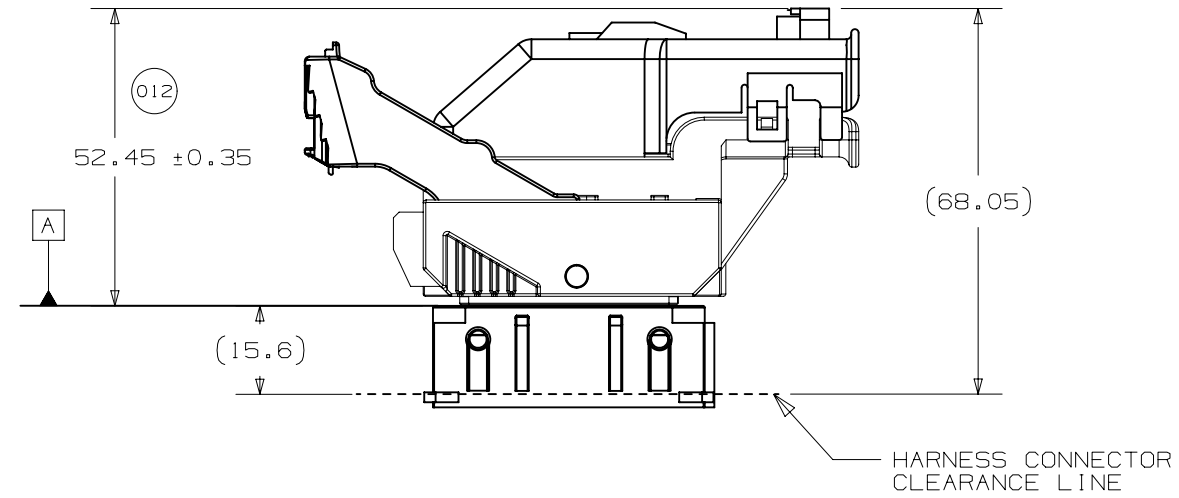


WIRE DRESS OPTION 0 SHOWN

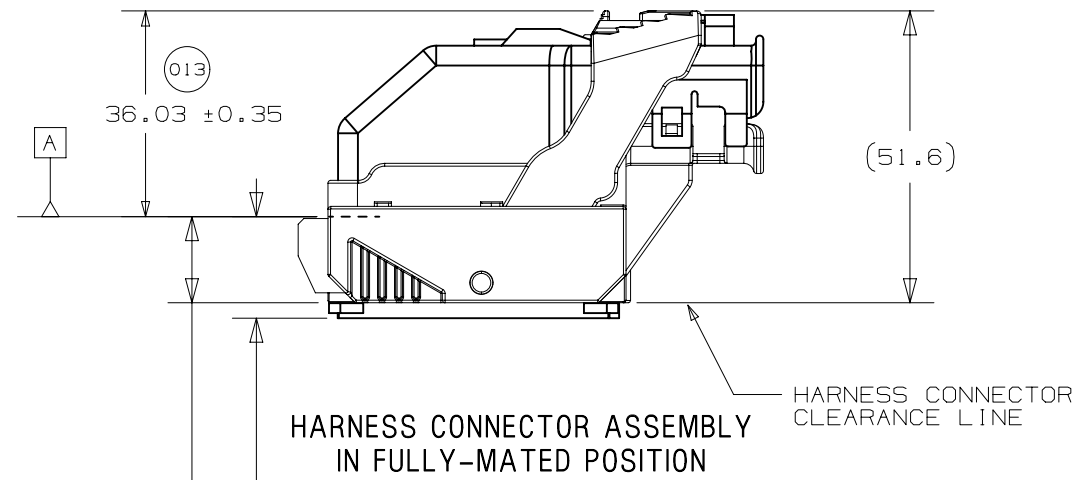


WIRE DRESS OPTION 9 SHOWN





HARNESS CONNECTOR ASSEMBLY  
IN PRE-LOCK POSITION

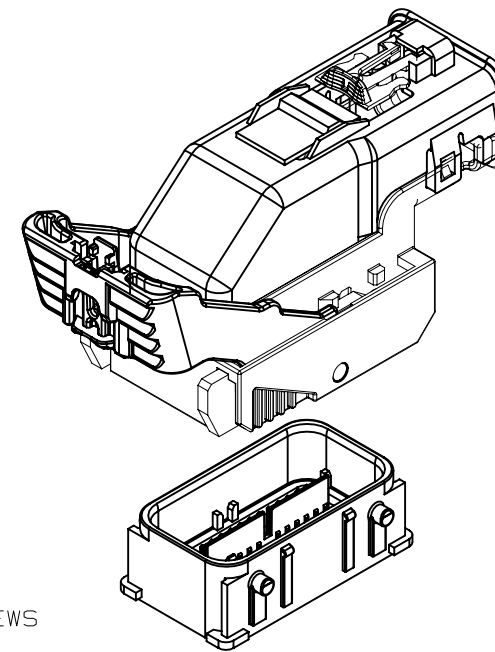
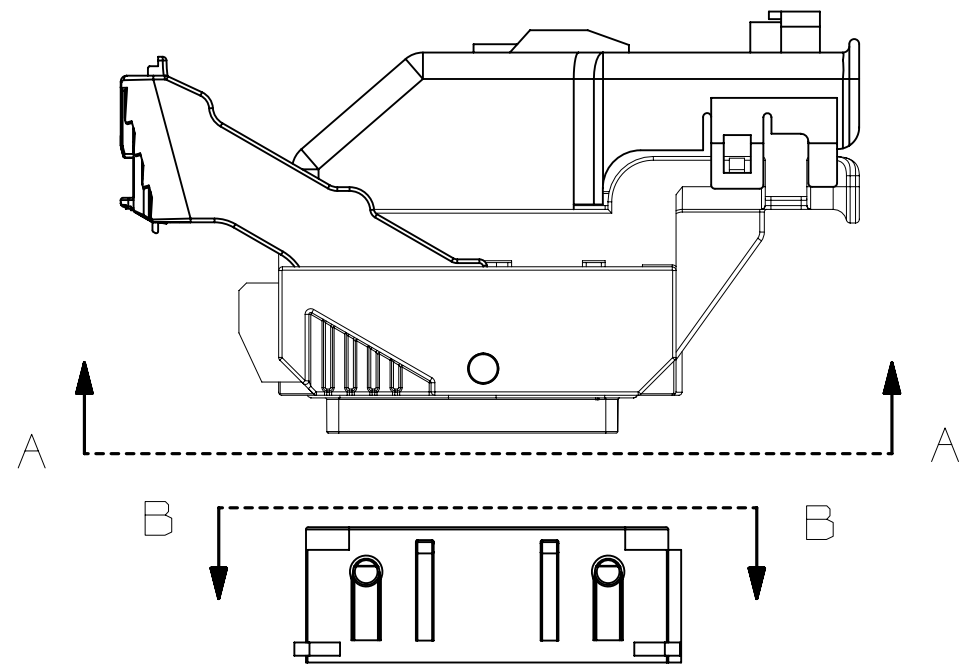


HARNESS CONNECTOR ASSEMBLY  
IN FULLY-MATED POSITION

015 17.9 MIN. AT PAD LOCATION  
CLEARANCE REQUIRED  
FOR HARNESS CONNECTOR,  
CONSTRUCTION BELOW THIS  
PLANE IS NOT CONTROLLED

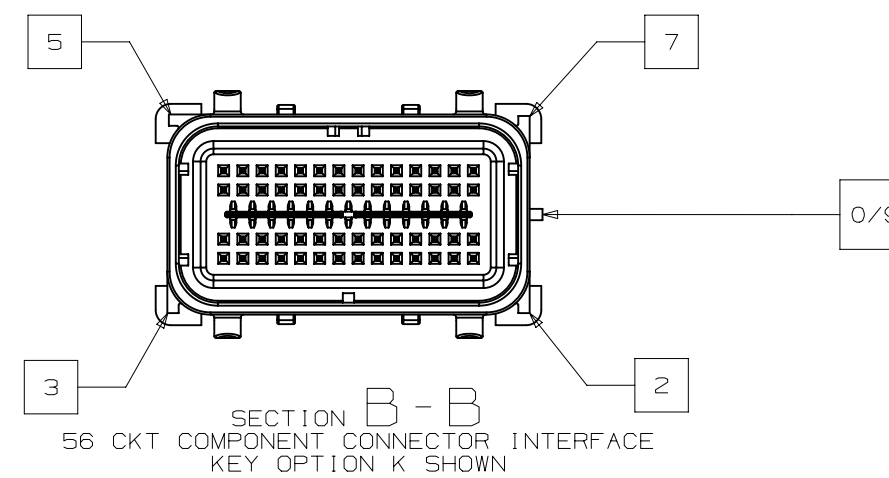
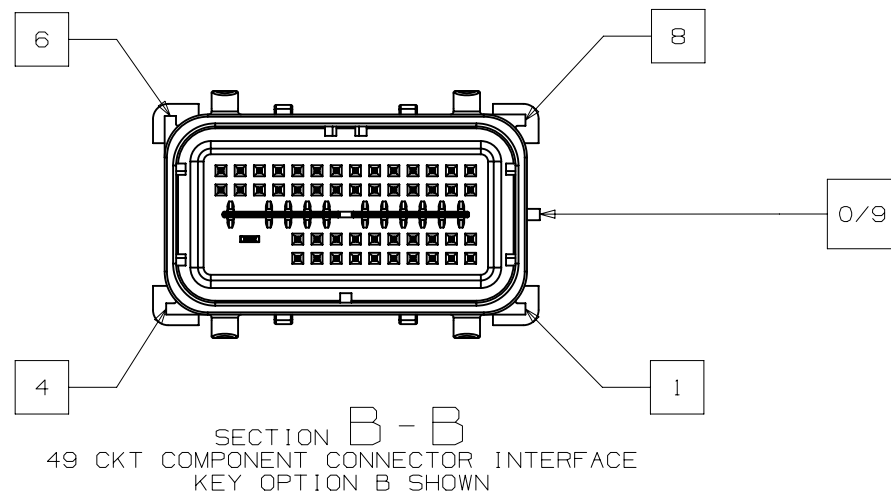
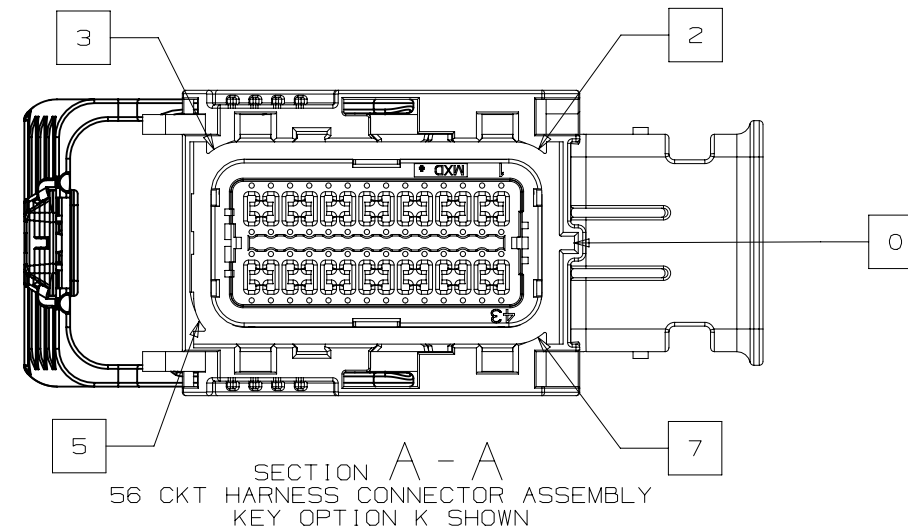
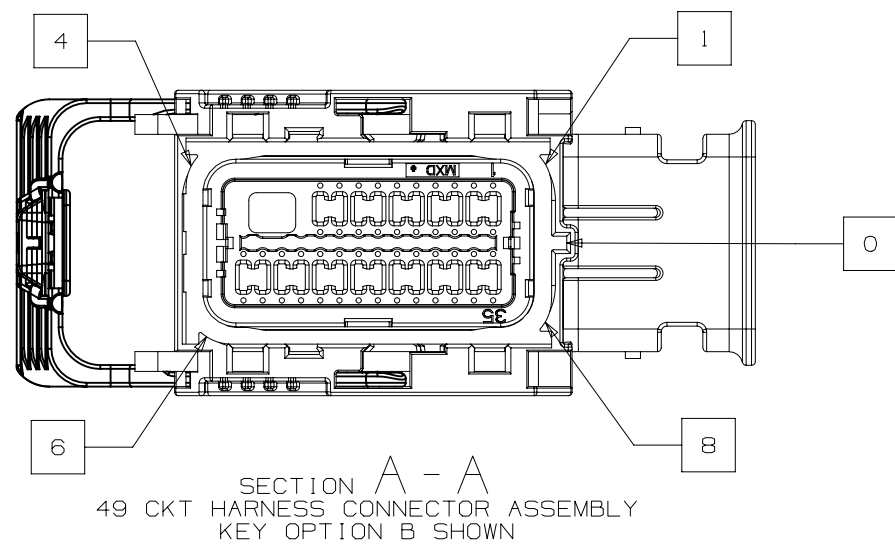
014 15.6 MIN.  
ALL AROUND  
CLEARANCE REQUIRED  
FOR HARNESS CONNECTOR





NOTE: REFERENCE THE COMPONENT TABLE FOR KEY OPTIONS AND CONFIGURATIONS

INTERFACE SIDE SHOWN IN ALL SECTION VIEWS

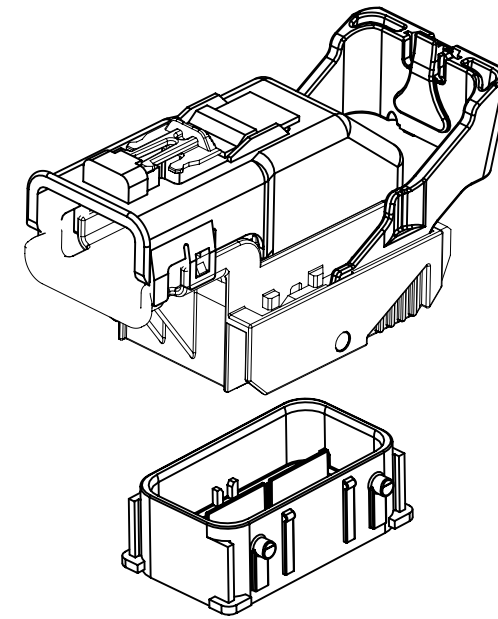
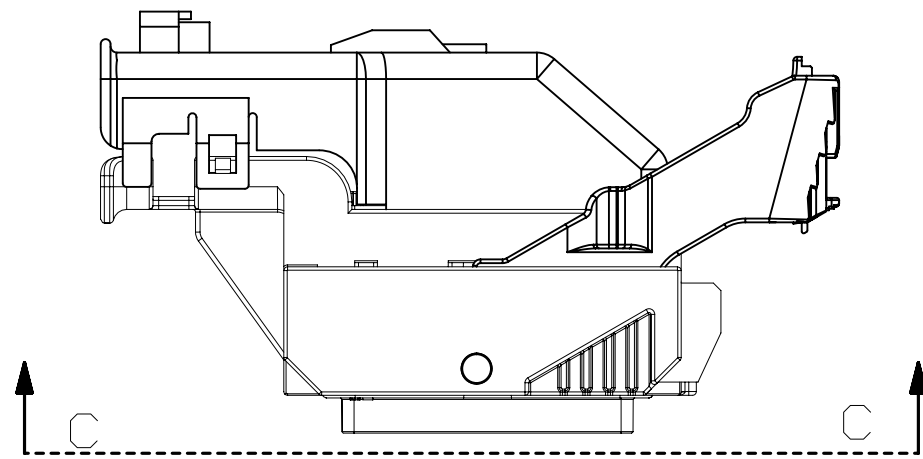


PAGE TITLE  
KEY ID REF - WIRE DRESS OPTION 0

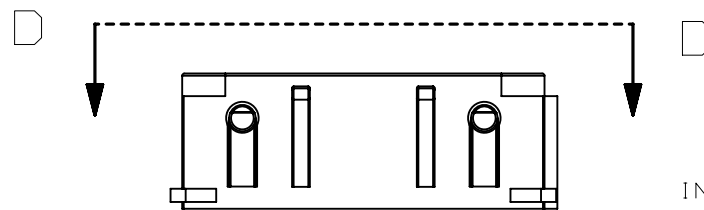
DRAWING NUMBER  
12672832

DWG STATUS			PAGE NUMBER	
ST	REV	PD1	11	OF 23
R	001			

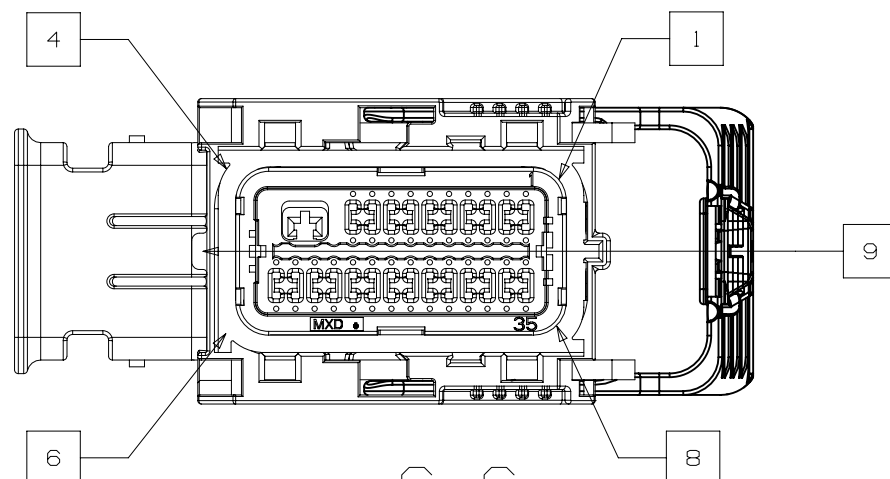




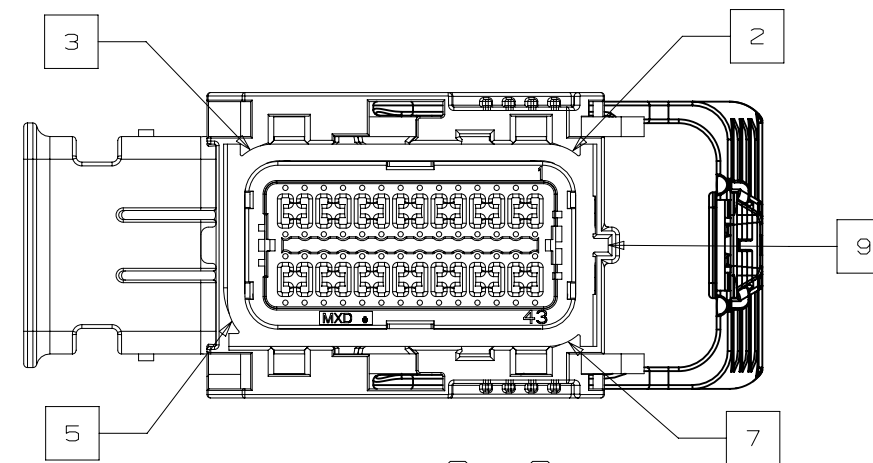
NOTE: REFERENCE THE COMPONENT TABLE FOR KEY OPTIONS AND CONFIGURATIONS



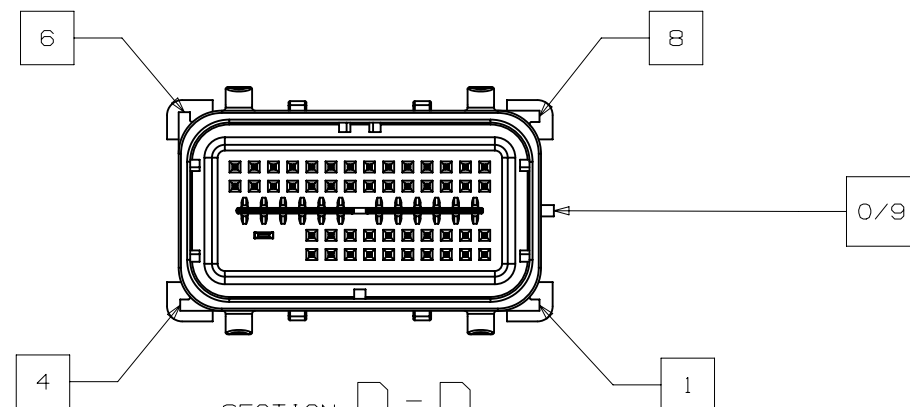
INTERFACE SIDE SHOWN ON ALL SECTION VIEWS



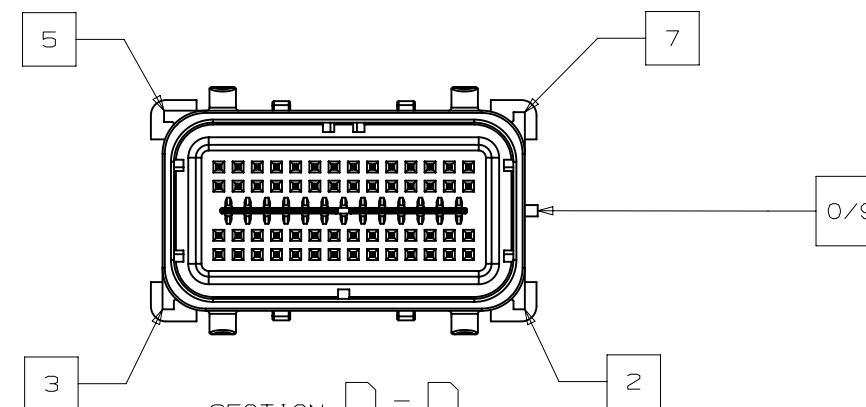
SECTION C - C  
49 CKT HARNESS CONNECTOR ASSEMBLY  
KEY OPTION B SHOWN



SECTION C - C  
56 CKT HARNESS CONNECTOR ASSEMBLY  
KEY OPTION K SHOWN



SECTION D - D  
49 CKT COMPONENT CONNECTOR INTERFACE  
KEY OPTION B SHOWN



SECTION D - D  
56 CKT COMPONENT CONNECTOR INTERFACE  
KEY OPTION K SHOWN

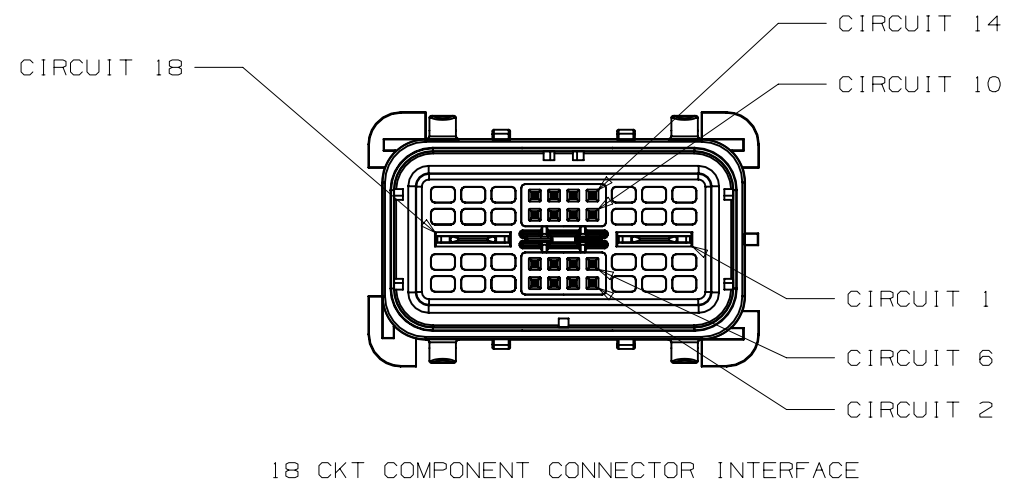
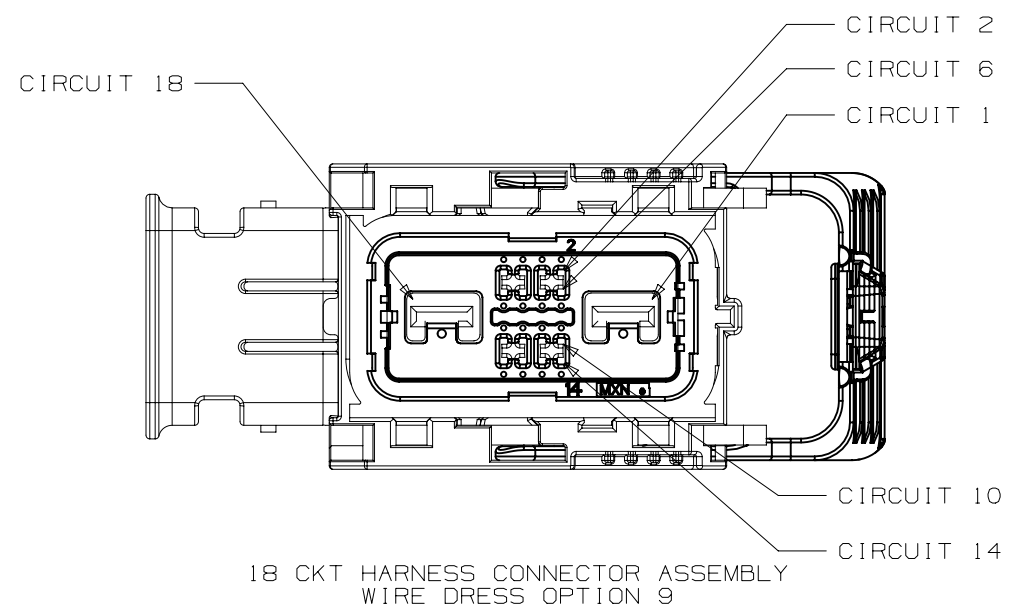
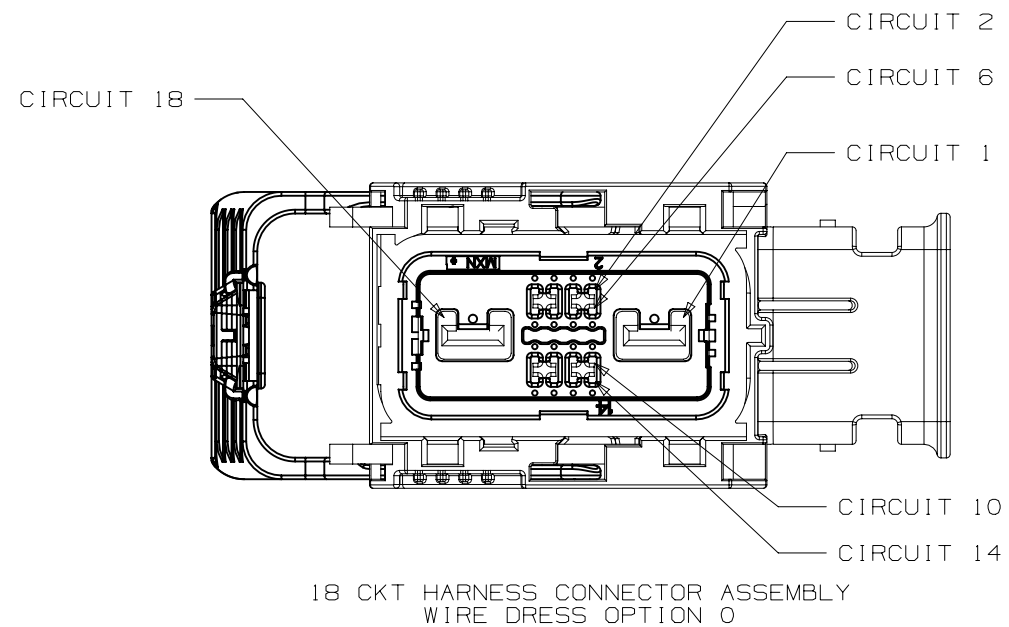


PAGE TITLE  
KEY ID REF - WIRE DRESS OPTION 9

DRAWING NUMBER  
12672832

DWG STATUS		
ST	REV	PD1
R	001	

PAGE NUMBER  
12 OF 23



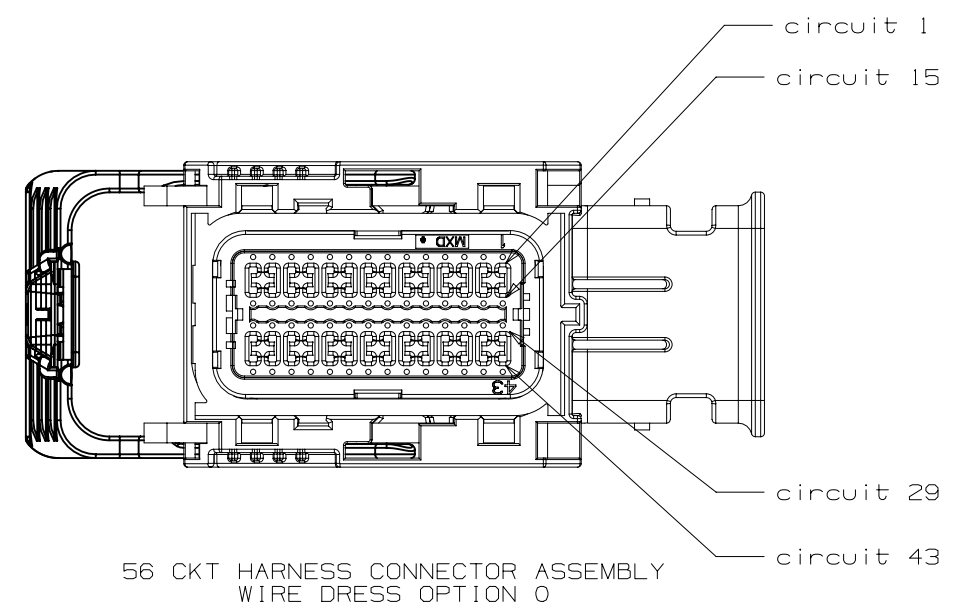
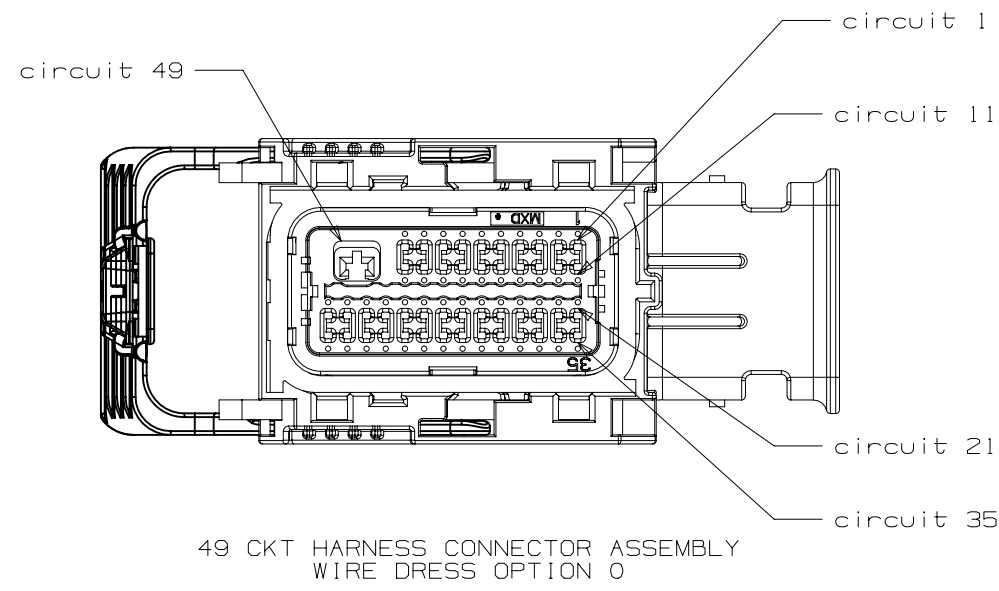
INTERFACE SIDE SHOWN ON ALL VIEWS



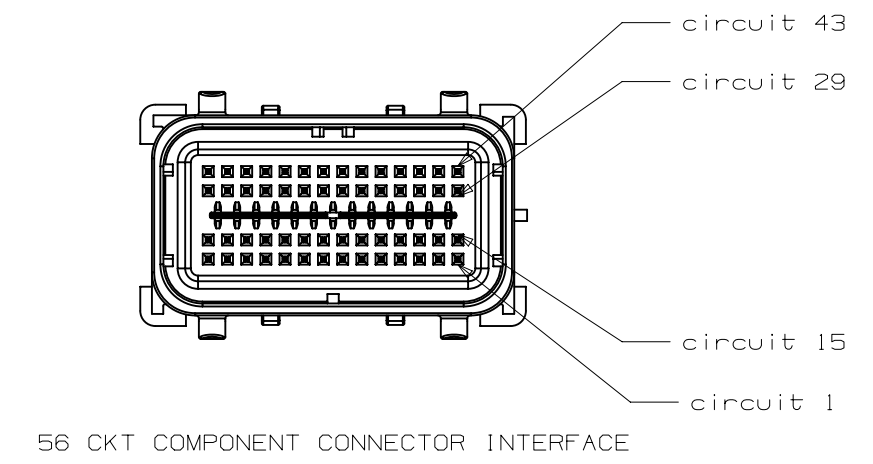
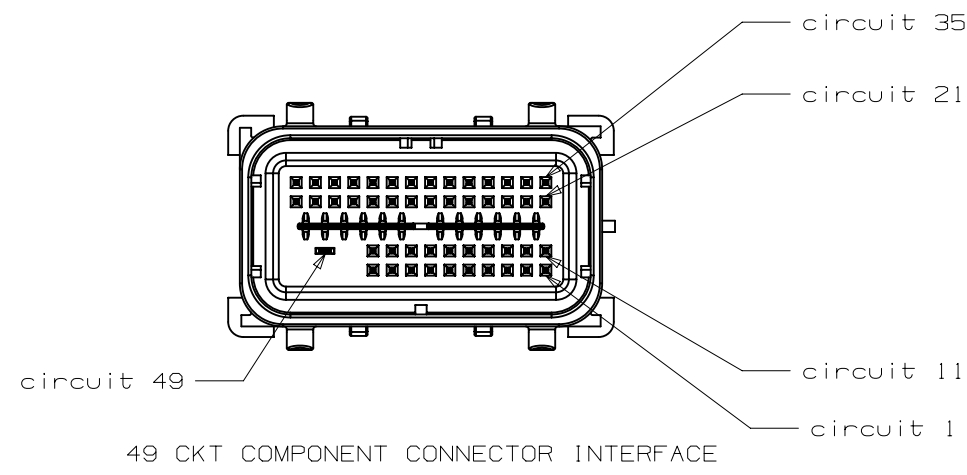
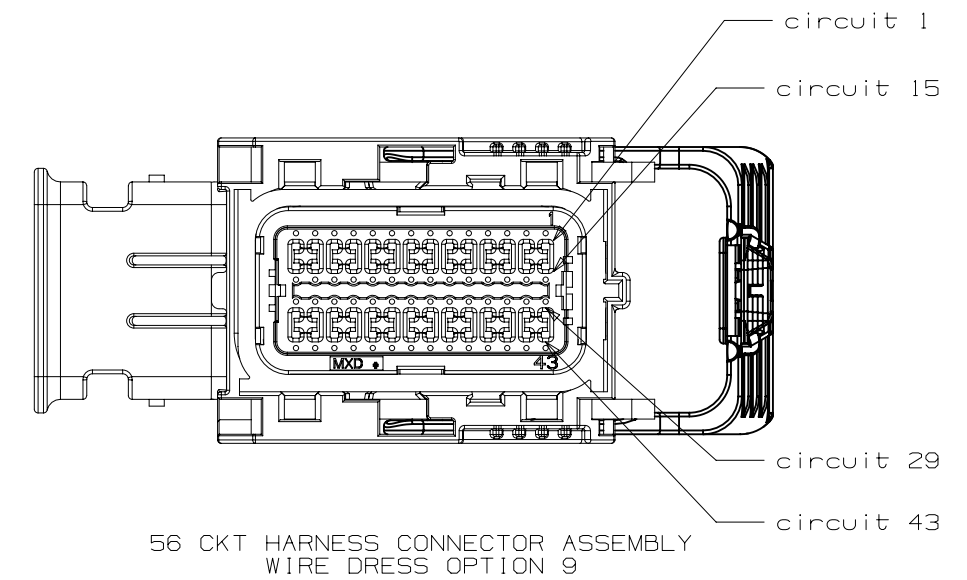
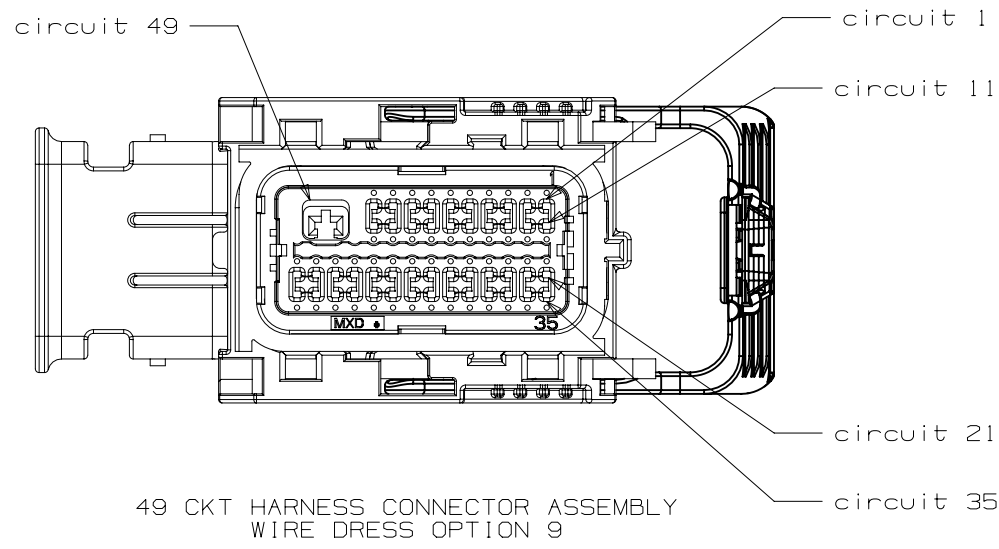
PAGE TITLE  
CIRCUIT CONFIGURATIONS

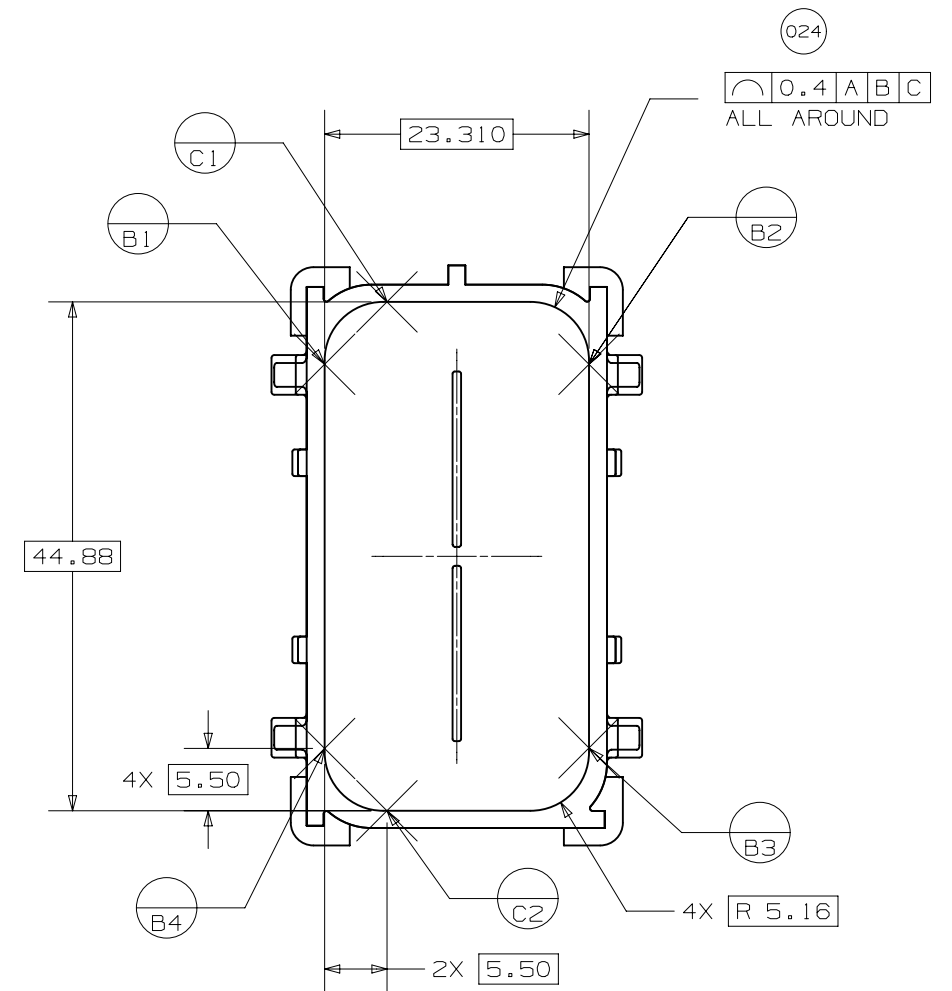
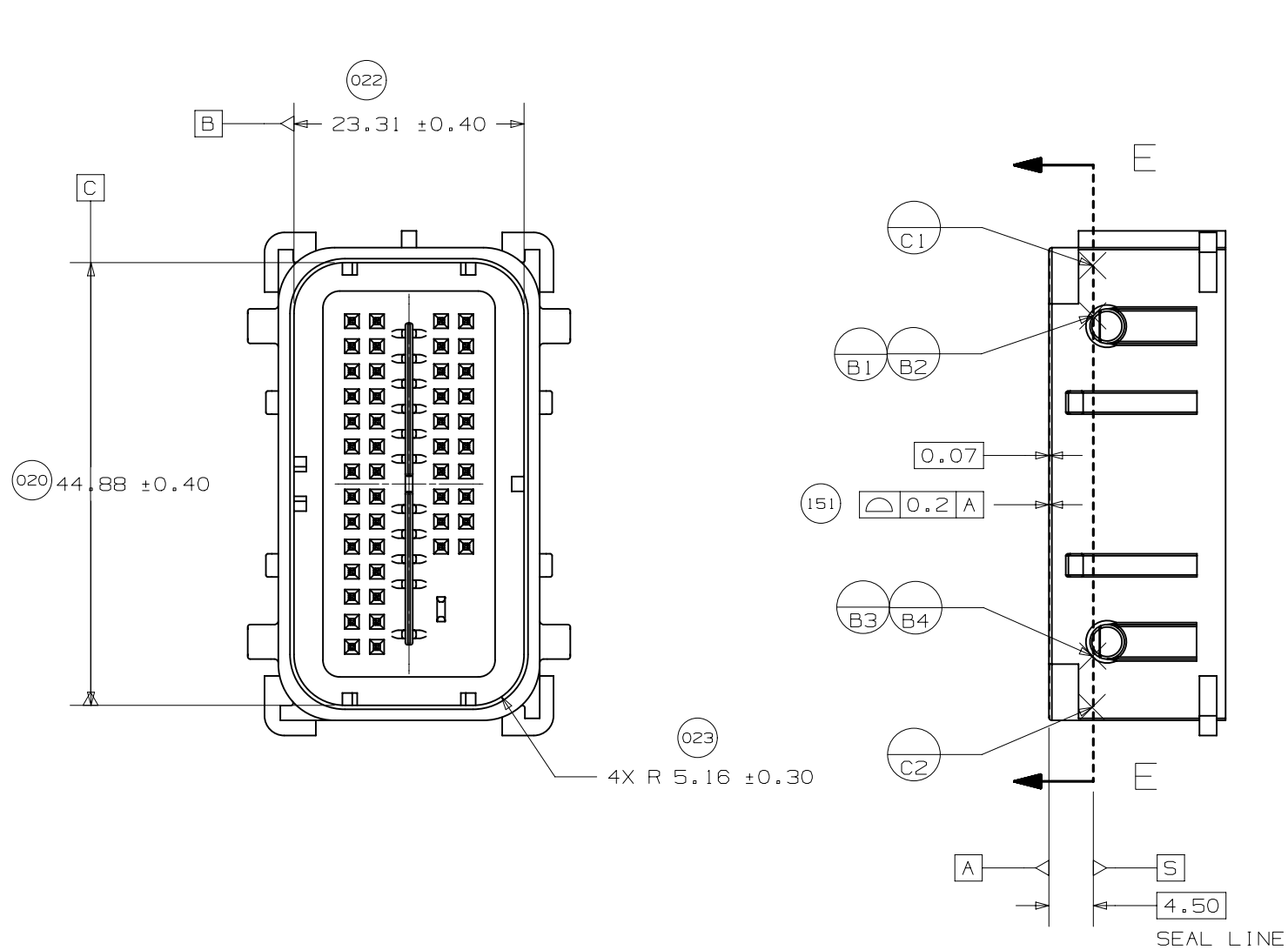
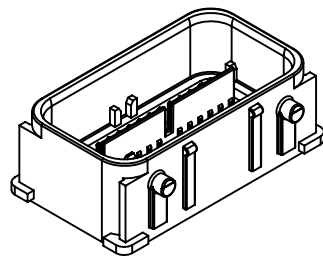
DRAWING NUMBER  
12672832

DWG STATUS			PAGE NUMBER	
ST	REV	PDI	13	OF 23
R	001			



INTERFACE SIDE SHOWN ON ALL VIEWS





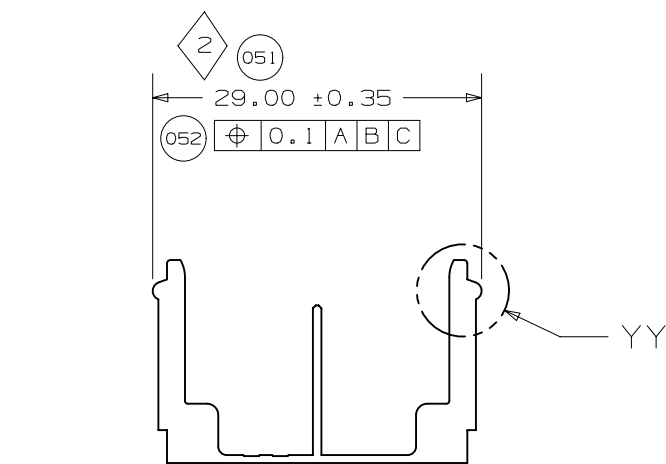
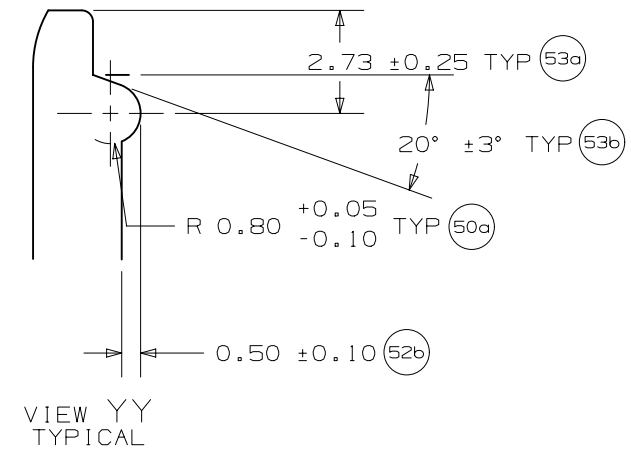
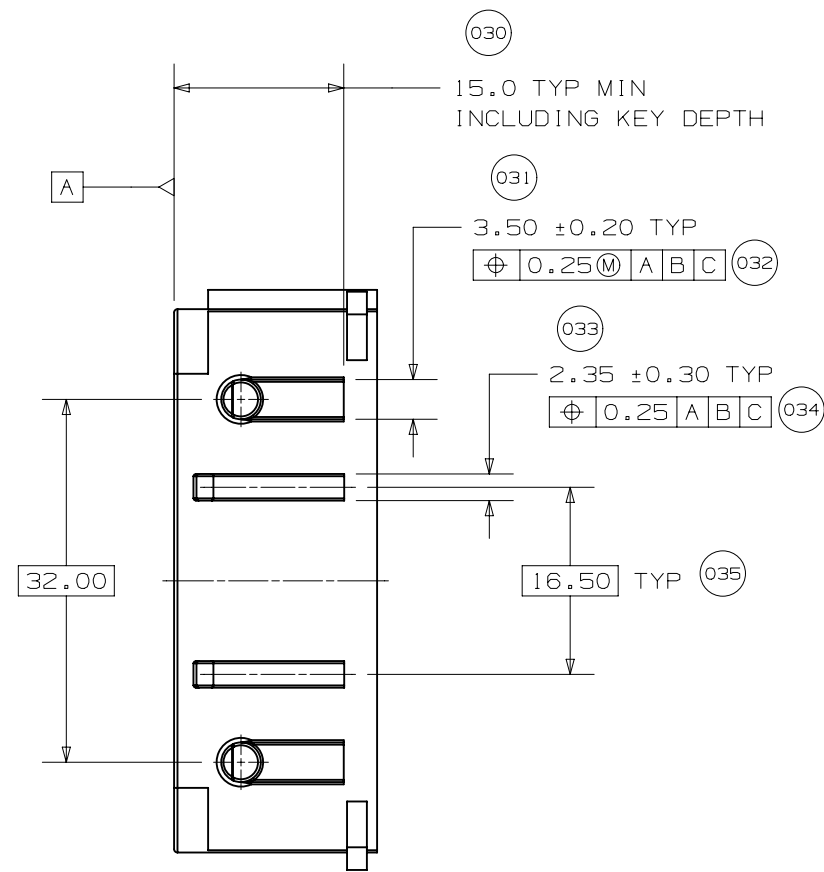
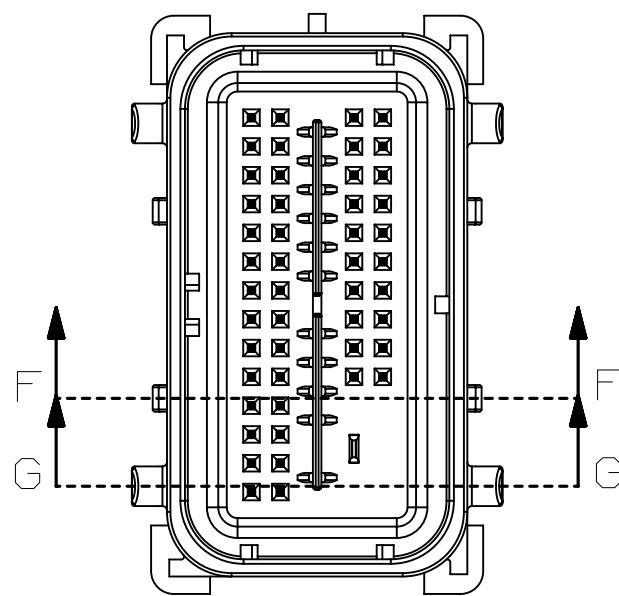
UNLESS SPECIFIED, TOLERANCE OF THE DEVICE INTERFACE TO BE  $\triangle 0.13 \text{ A B C}$



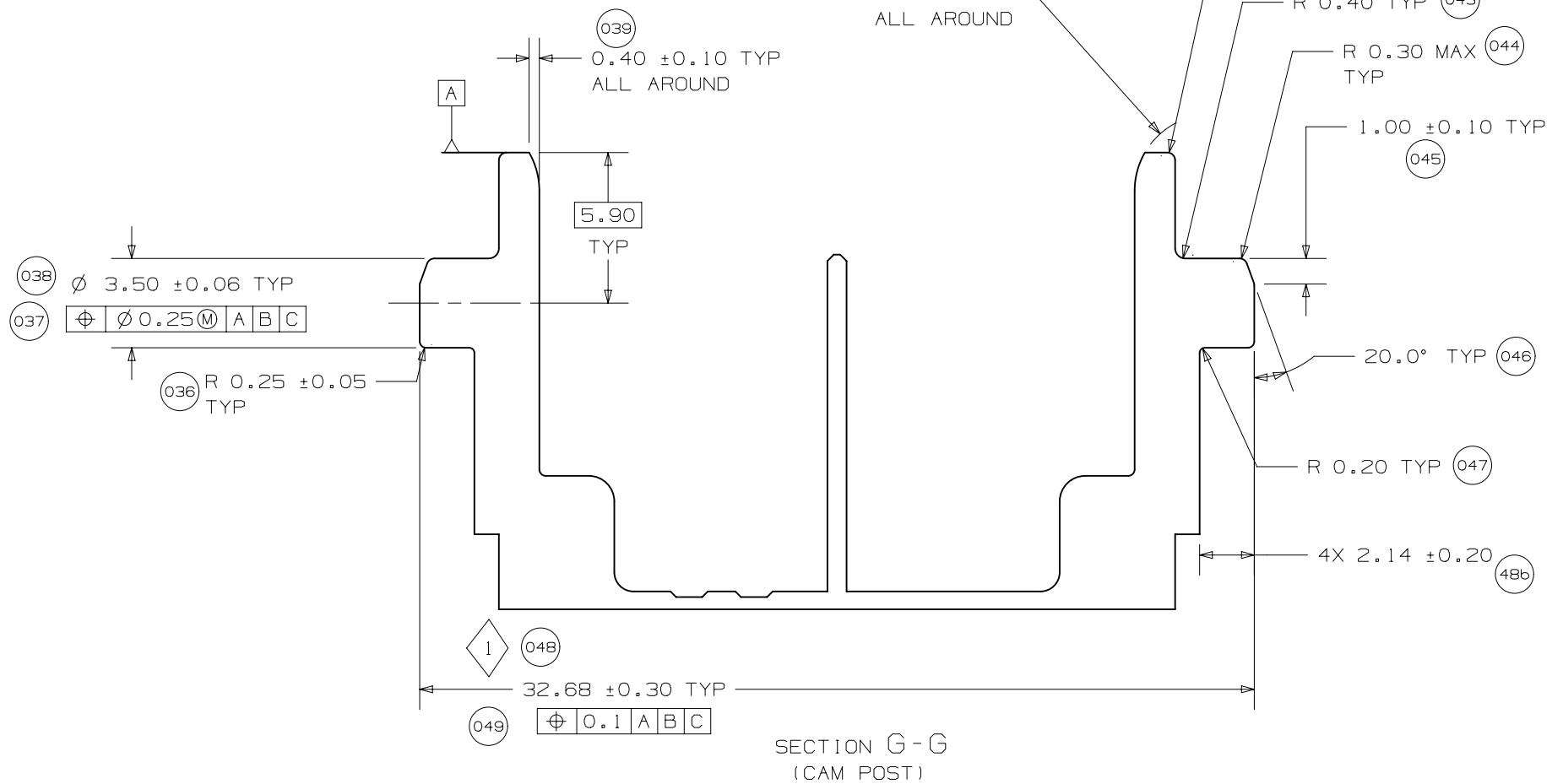
PAGE TITLE  
COMPONENT CONNECTOR INTERFACE

DRAWING NUMBER  
12672832

DWG STATUS			PAGE NUMBER
ST	REV	PD1	
R	001		15 of 23

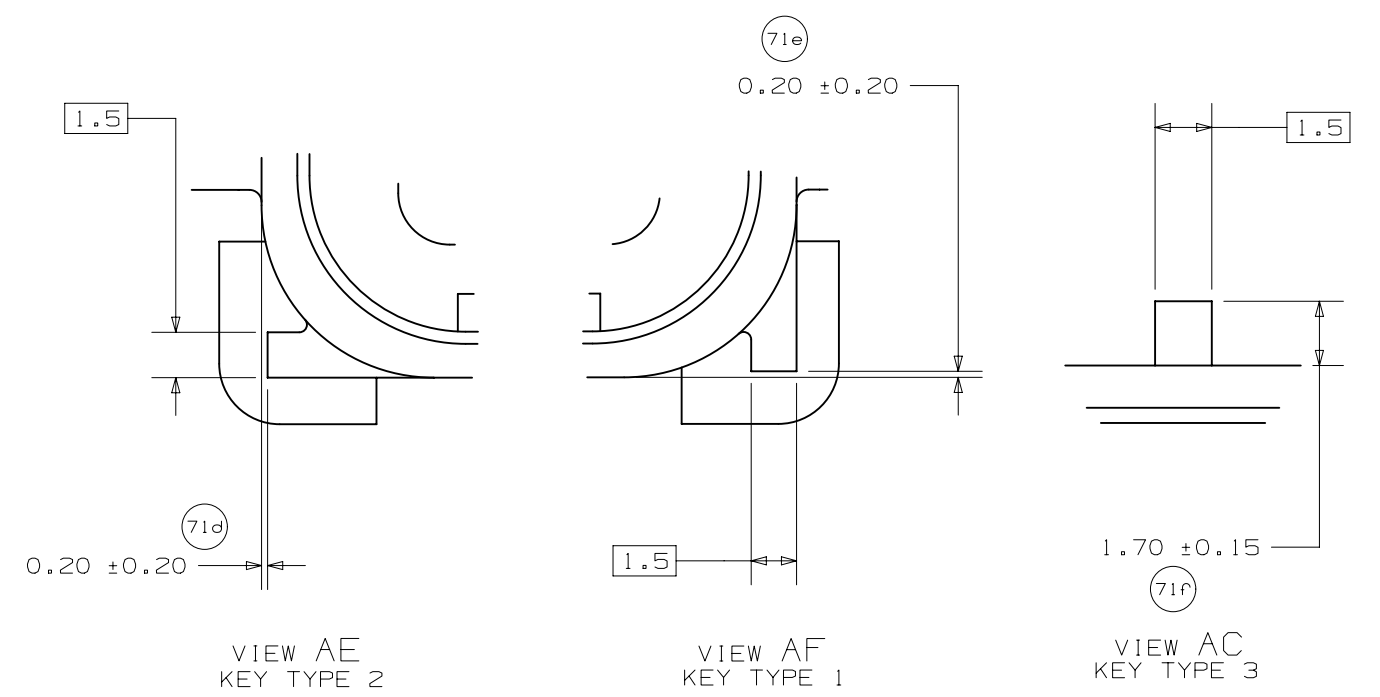
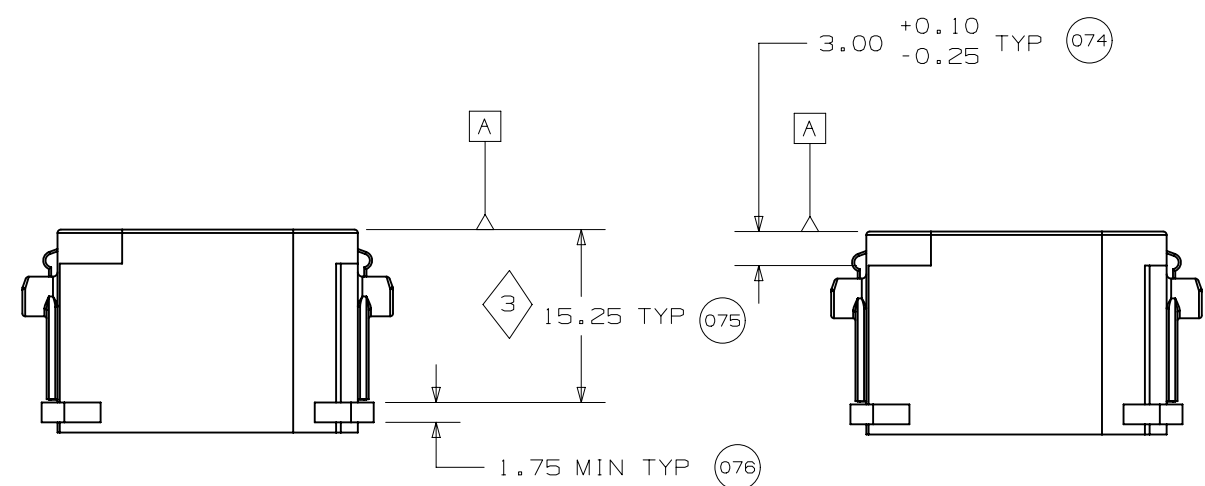
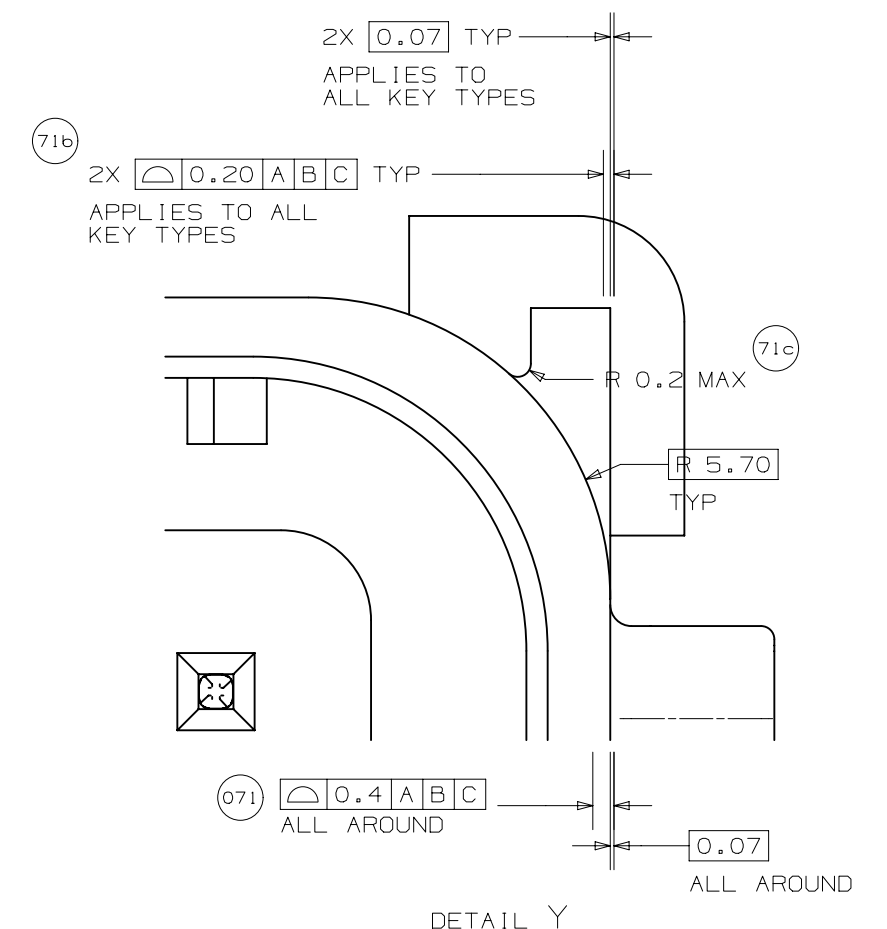
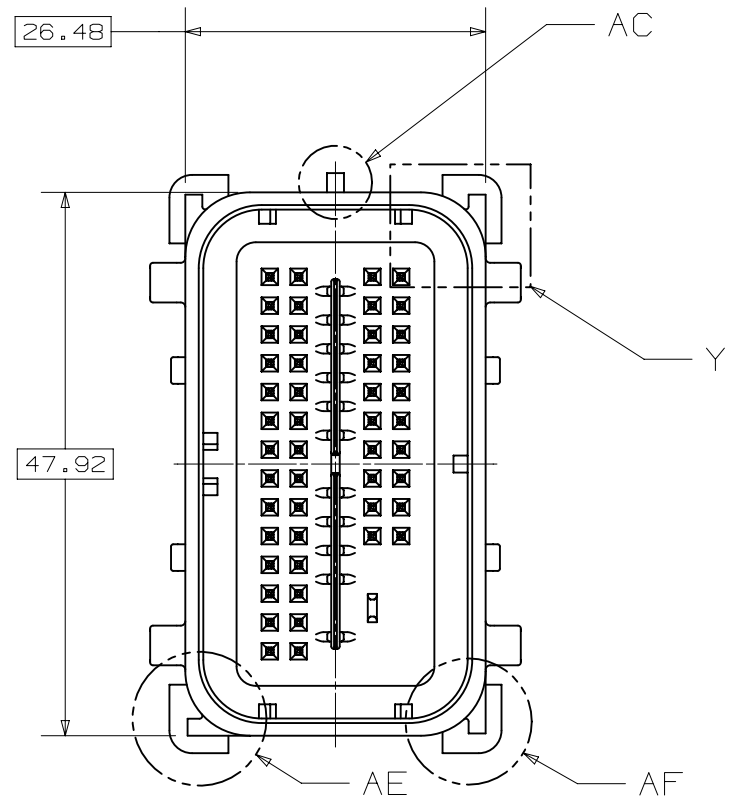
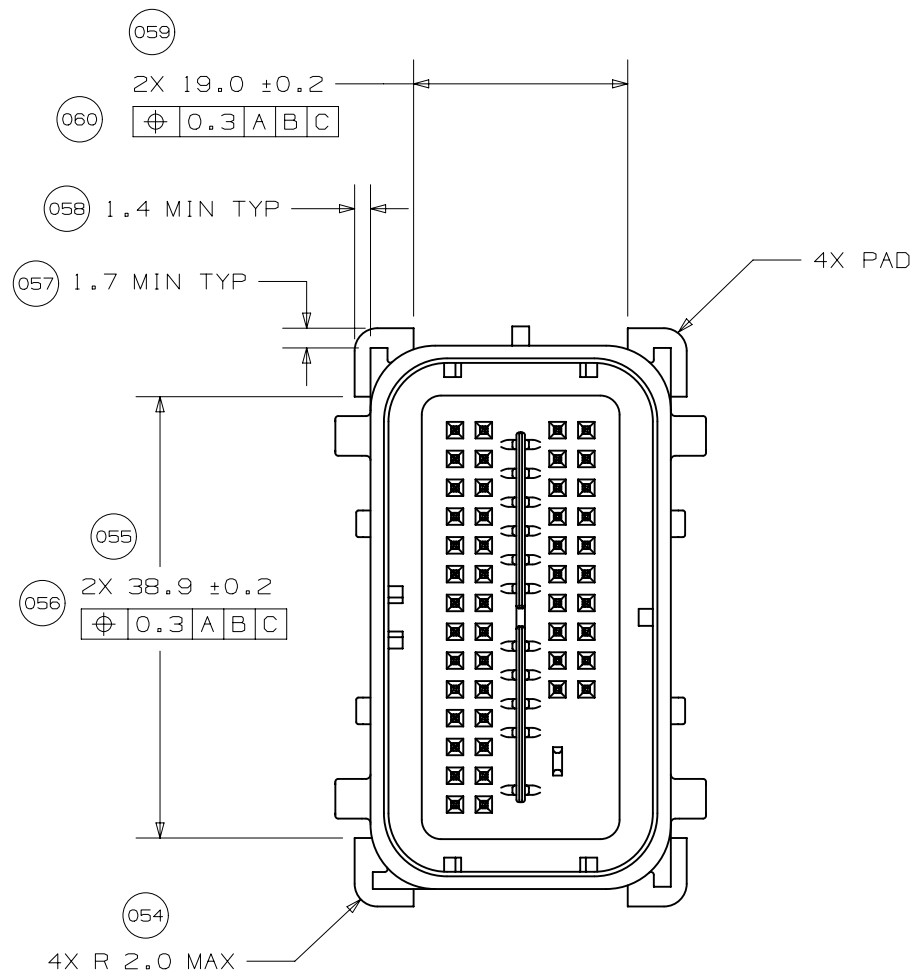


SECTION F - F  
(RELEASE FEATURE)



SECTION G - G  
(CAM POST)



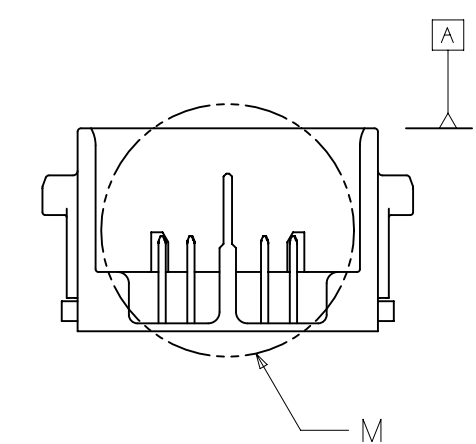
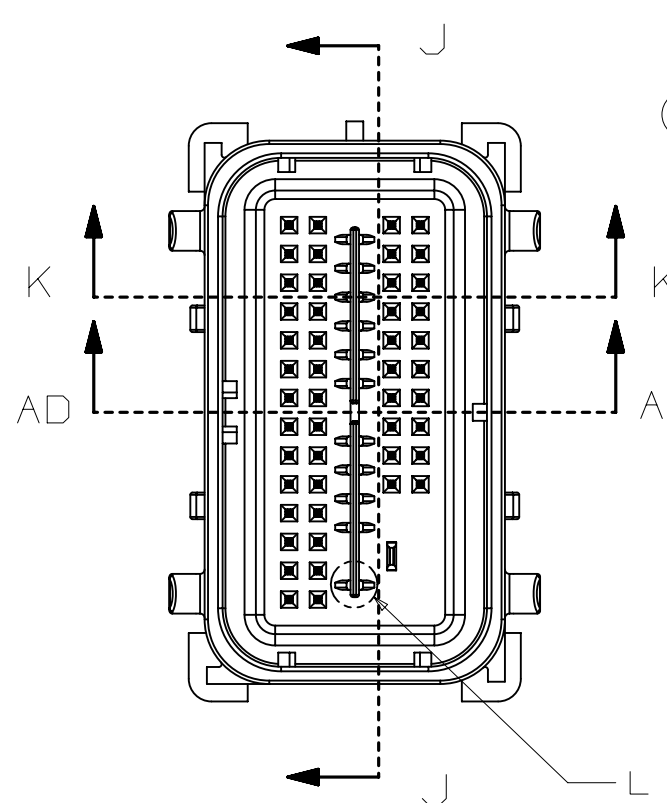


PAGE TITLE  
 COMPONENT CONNECTOR INTERFACE

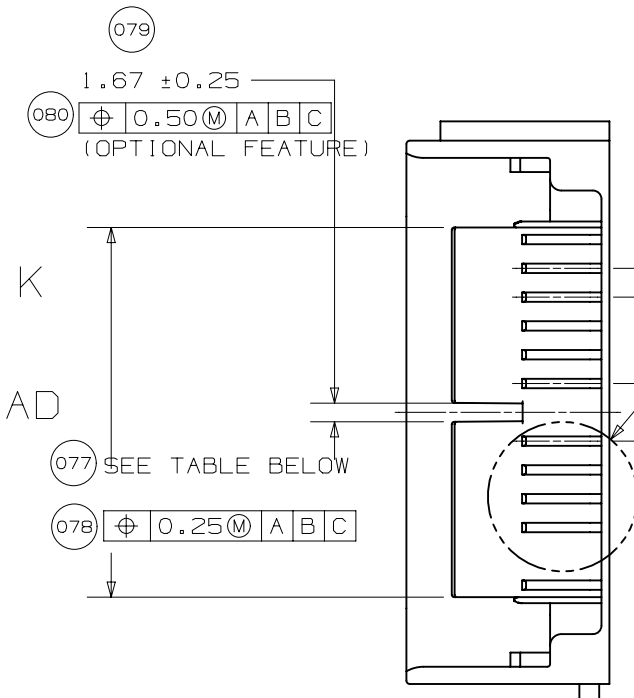
DRAWING NUMBER  
 12672832

DWG STATUS		
ST	REV	PD1
R	001	

PAGE NUMBER  
 17 OF 23

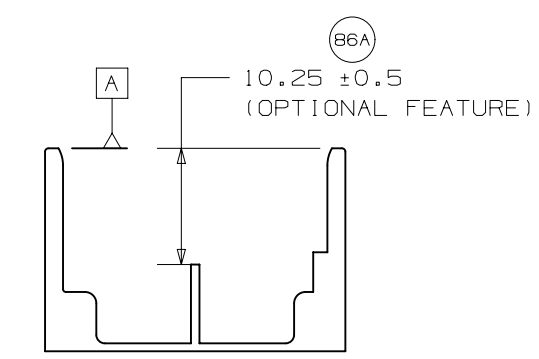


SECTION K-K



SECTION J-J

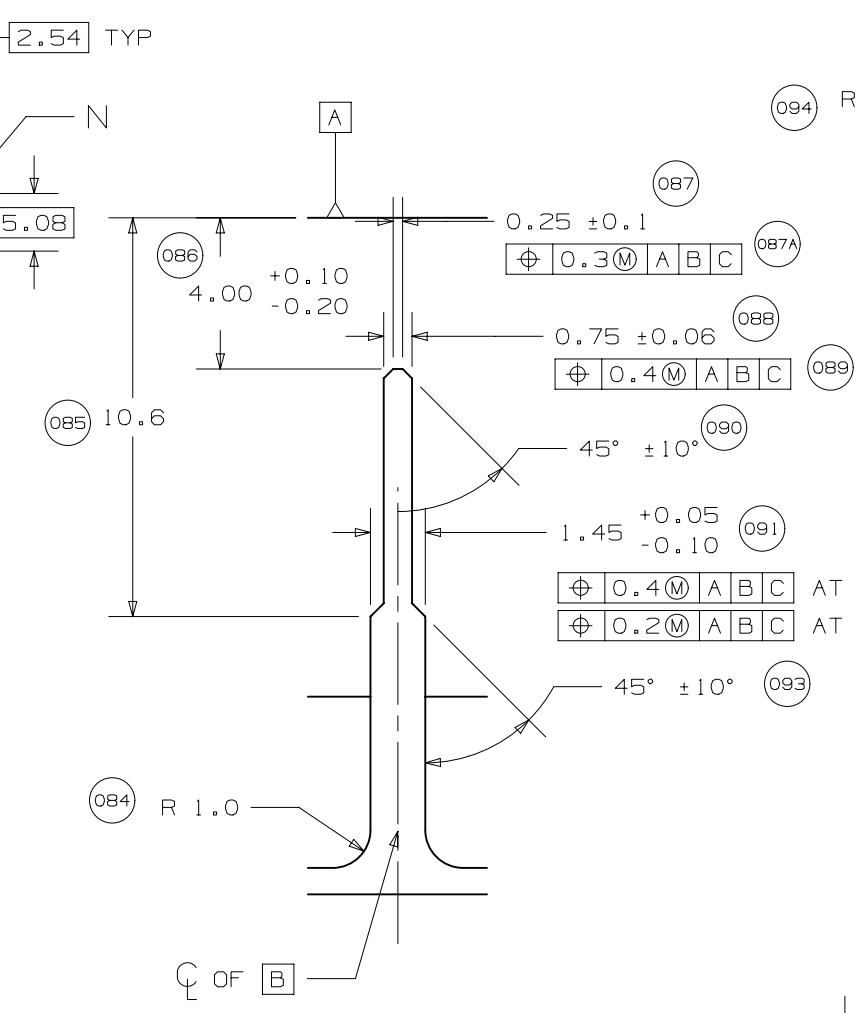
079 1.67 ±0.25  
 080  $\Phi$  0.50 (M) A B C (OPTIONAL FEATURE)  
 077 SEE TABLE BELOW  
 078  $\Phi$  0.25 (M) A B C



SECTION AD-AD

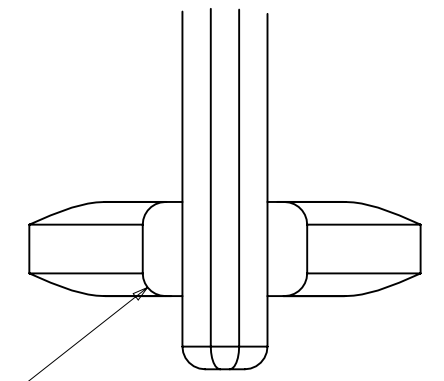
086A 10.25 ±0.5 (OPTIONAL FEATURE)

CKT	DIM 077
49 / 56 CKT	32.60 +0.10/-0.60
18 CKT	10.04 +0.10/-0.60



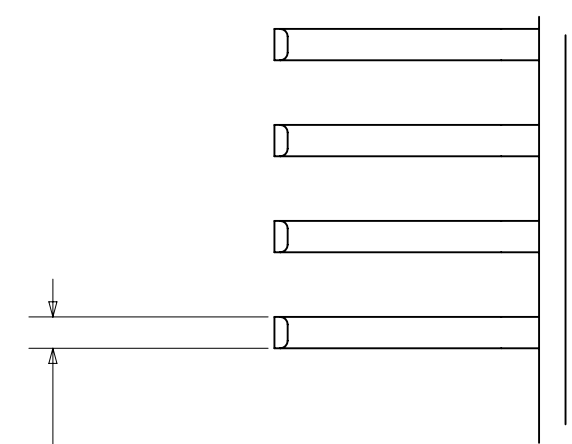
VIEW M TYPICAL

086 4.00 +0.10/-0.20  
 087 0.25 ±0.1  
 $\Phi$  0.3 (M) A B C 087A  
 0.75 ±0.06 088  
 $\Phi$  0.4 (M) A B C 089  
 085 10.6  
 45° ±10° 090  
 1.45 +0.05/-0.10 091  
 $\Phi$  0.4 (M) A B C AT TOP 092  
 $\Phi$  0.2 (M) A B C AT BOTTOM 092A  
 45° ±10° 093  
 084 R 1.0  
 $\Phi$  OF B



VIEW L

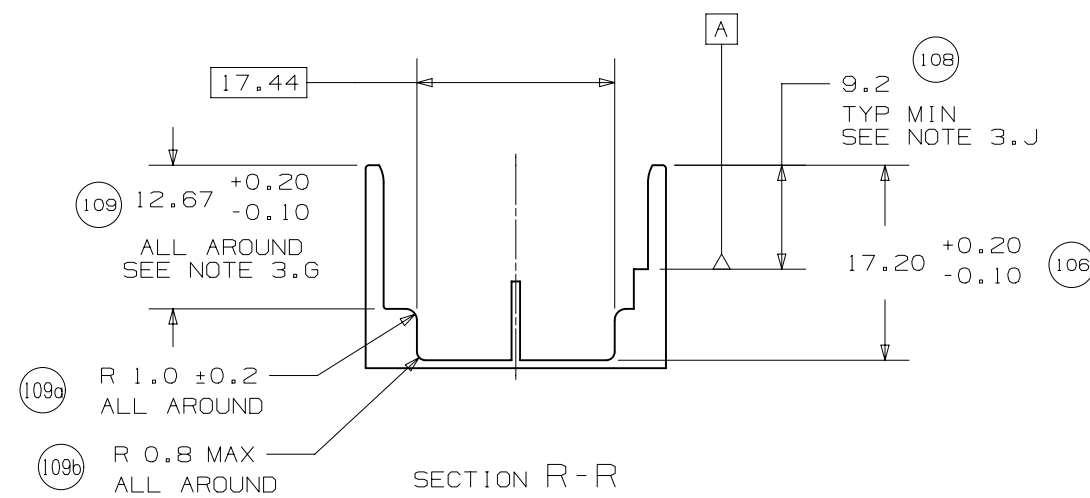
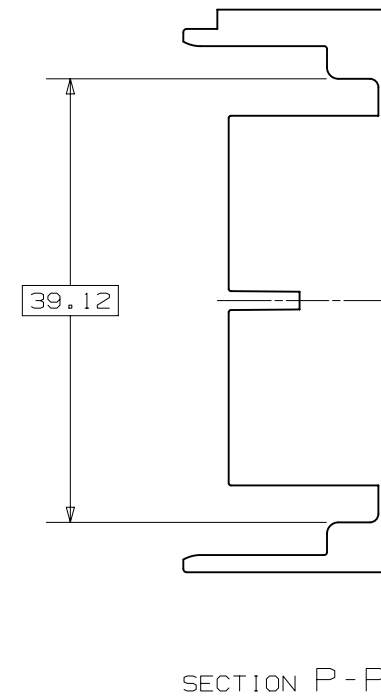
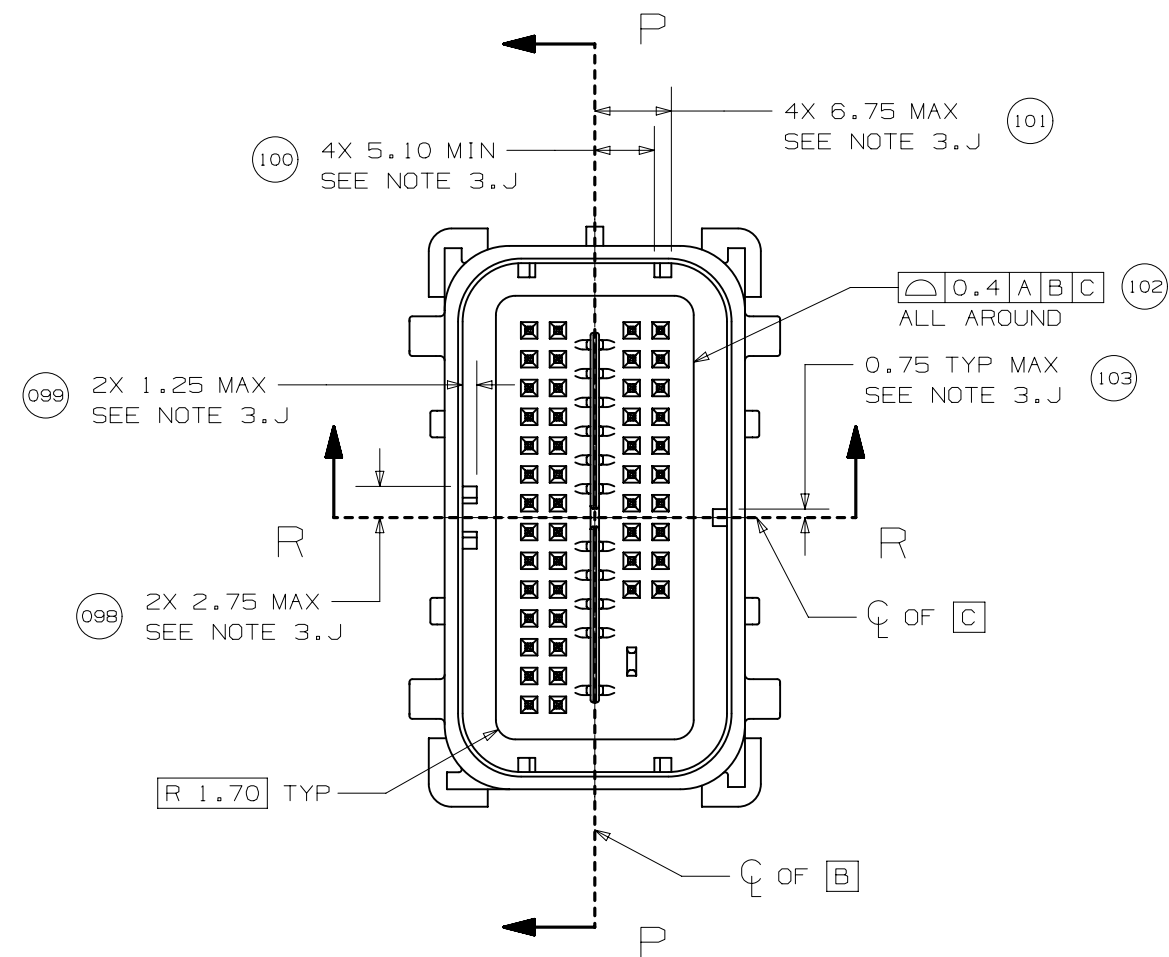
094 R 0.20 TYP



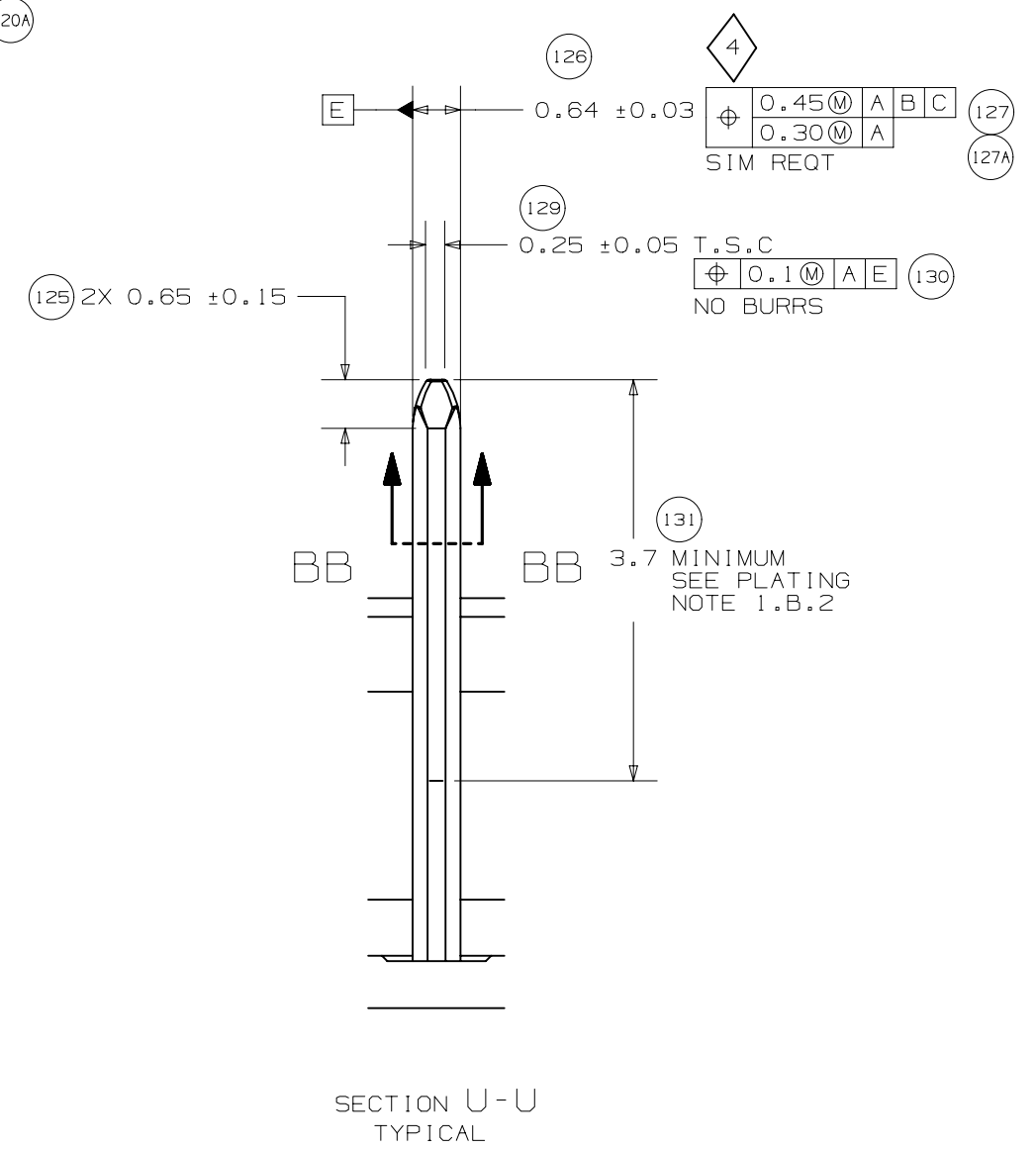
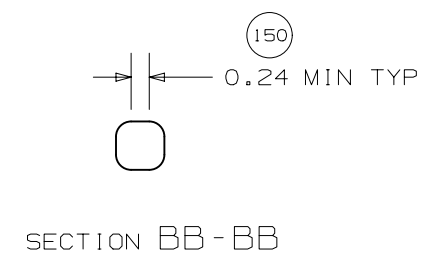
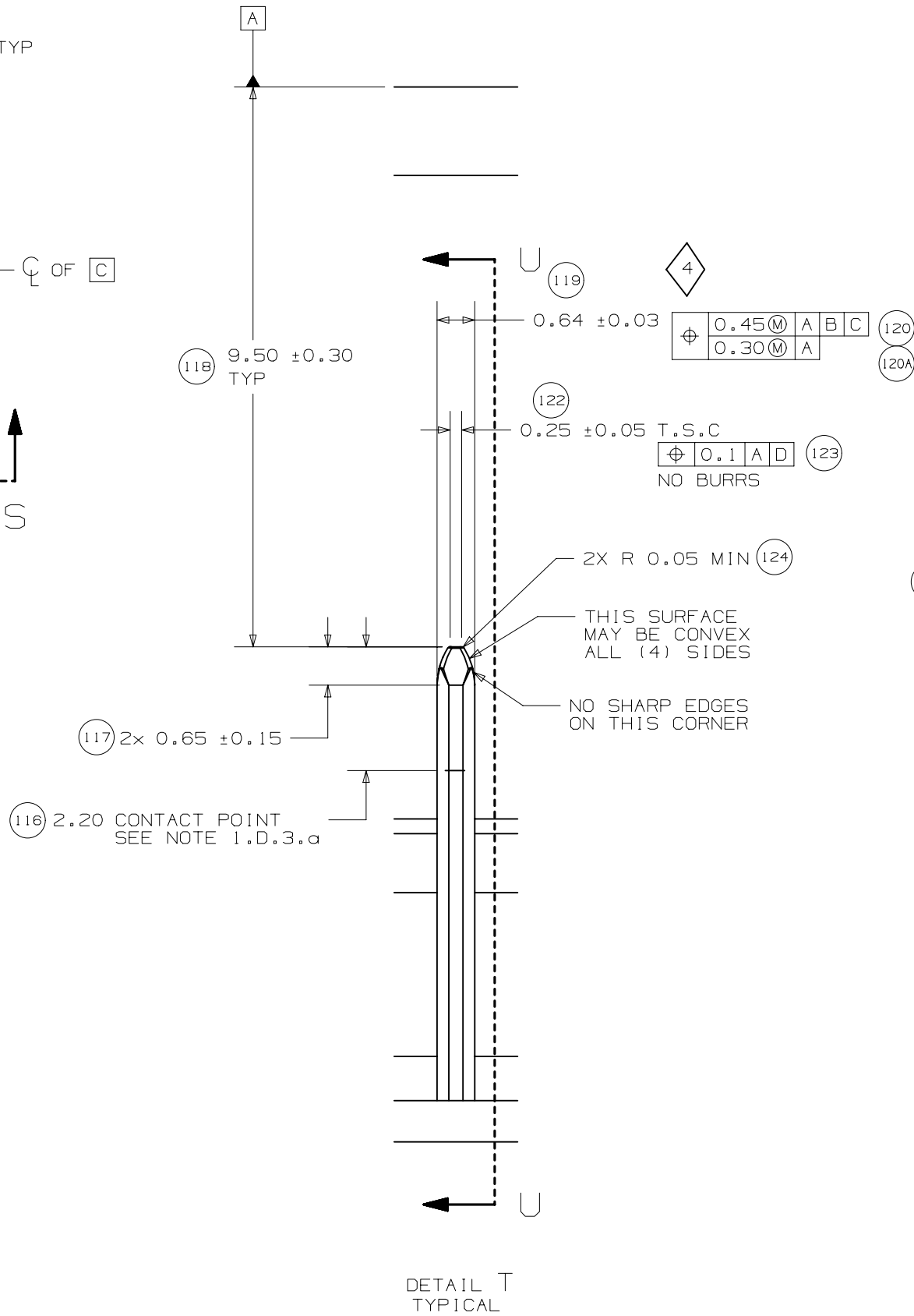
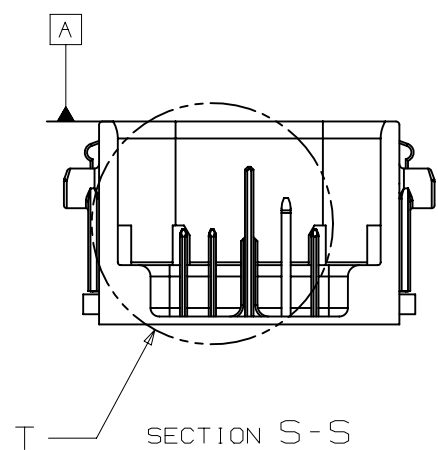
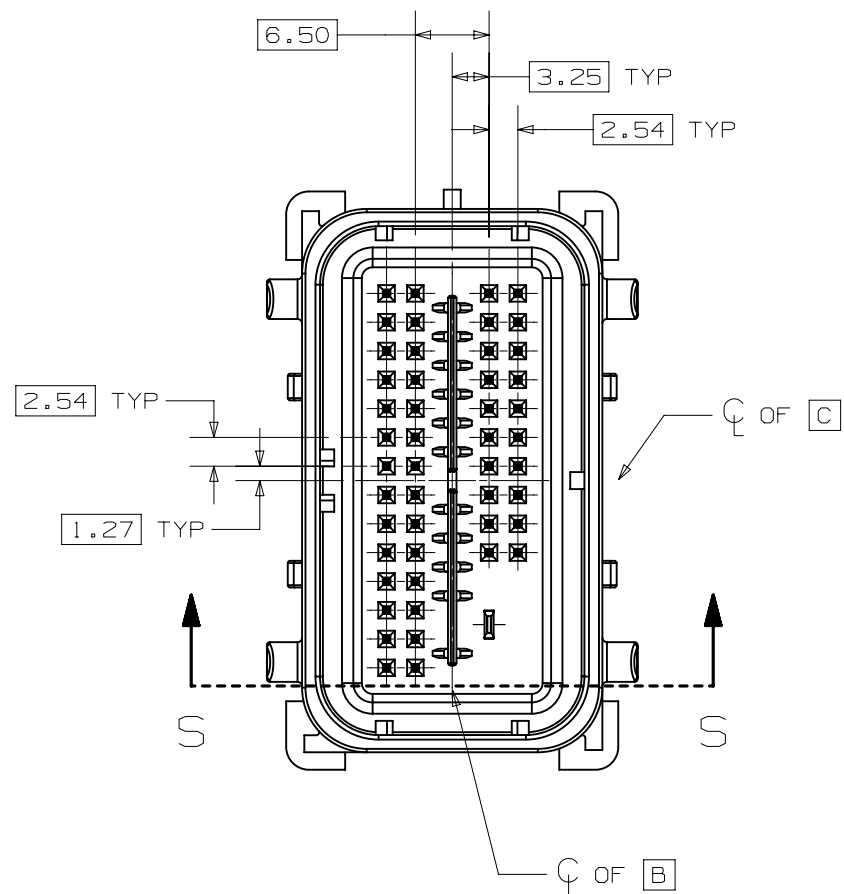
VIEW N

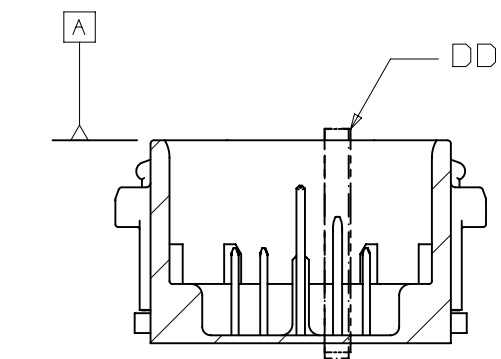
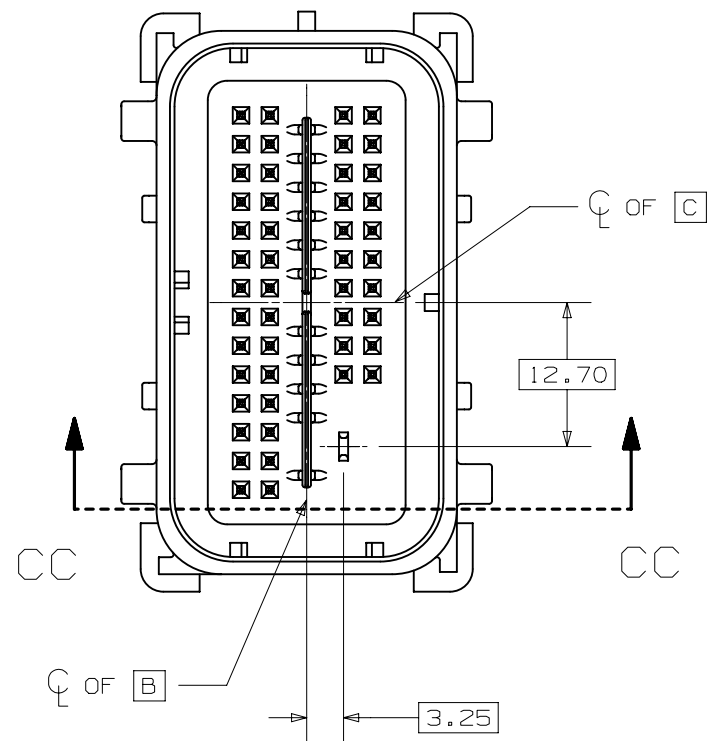
095 0.83 ±0.15 TYP  
 096  $\Phi$  0.5 (M) A B C



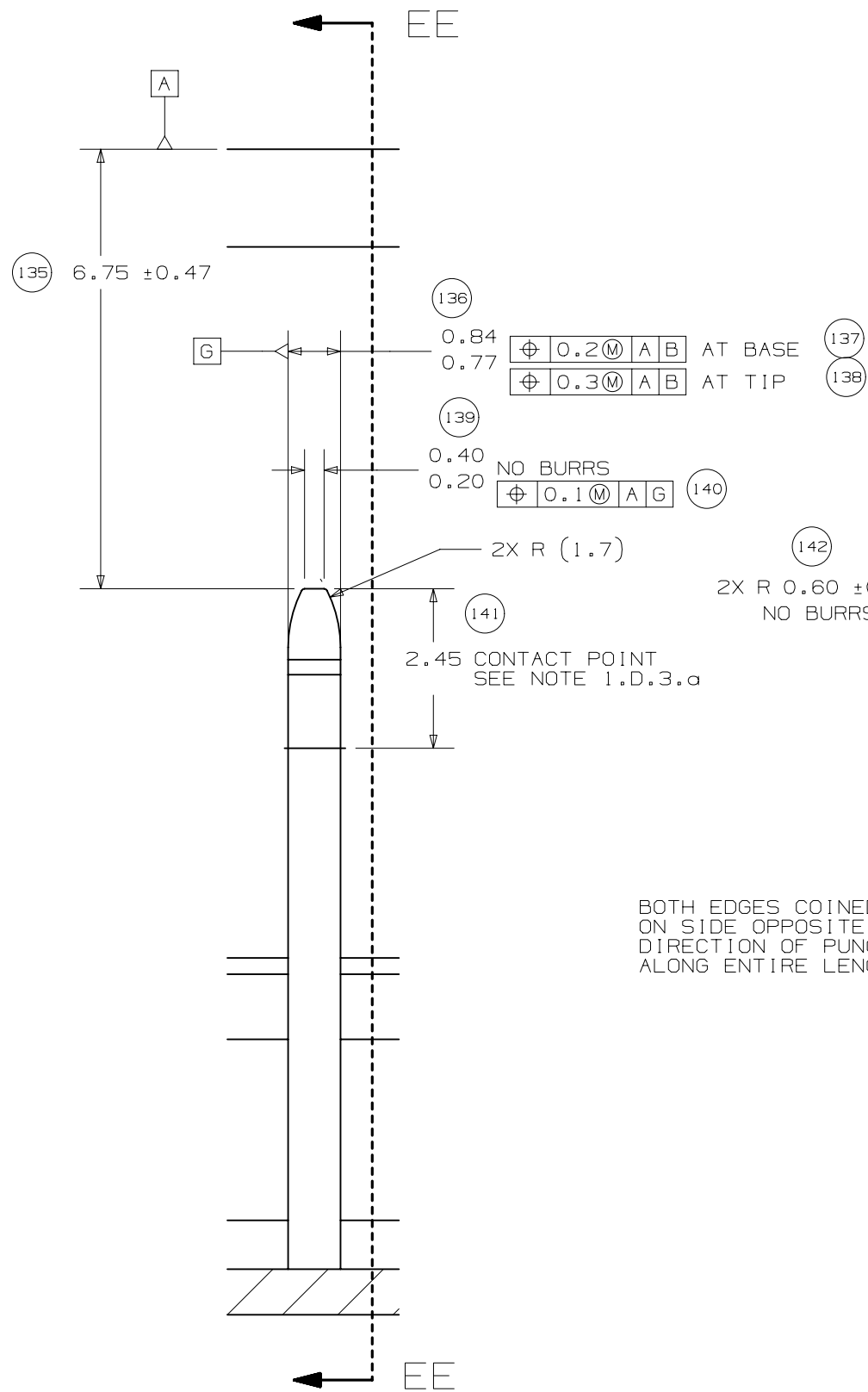




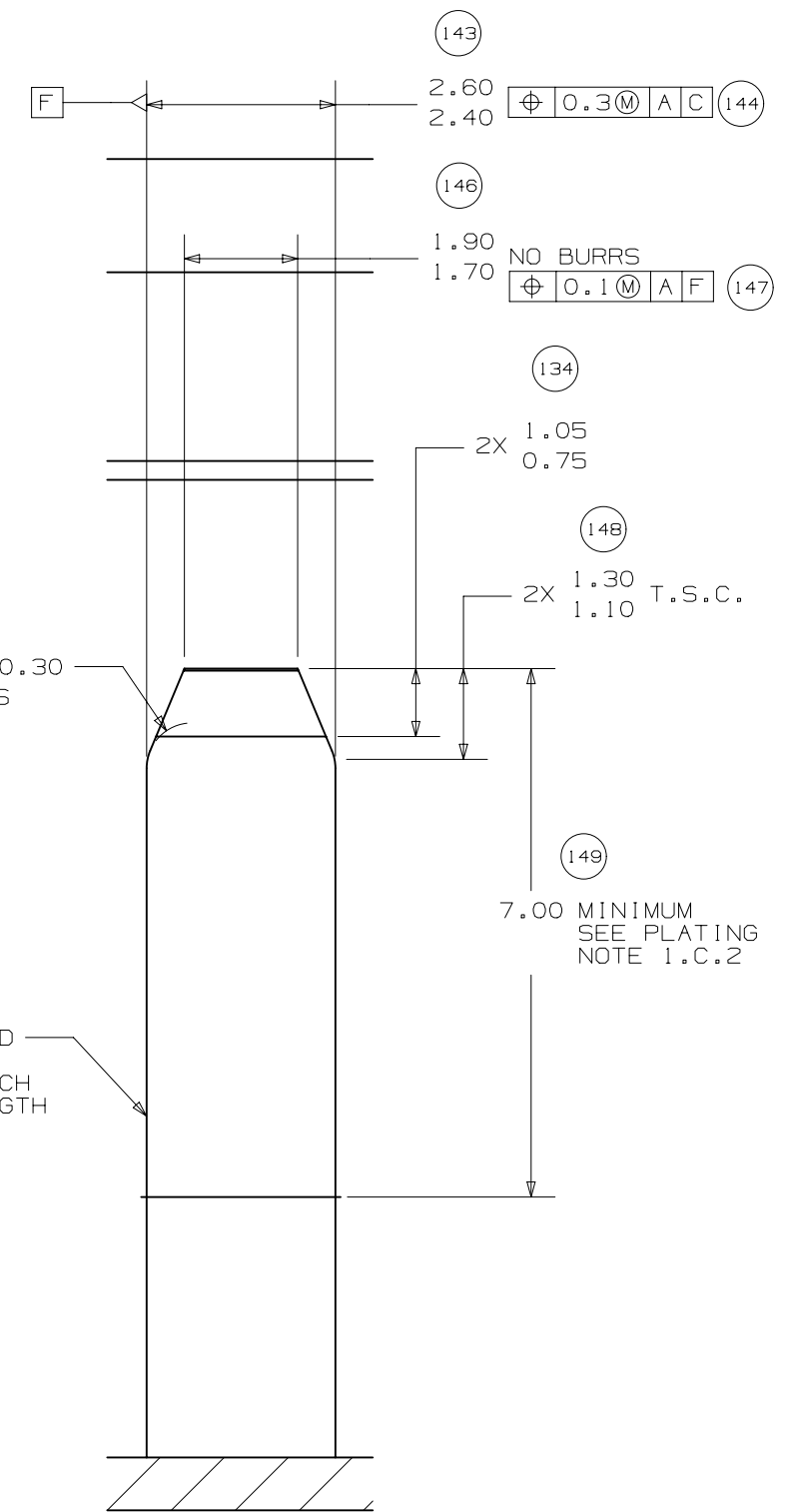




SECTION CC-CC



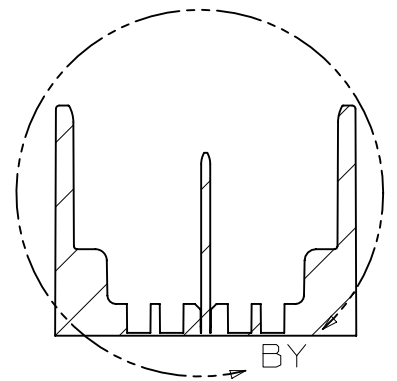
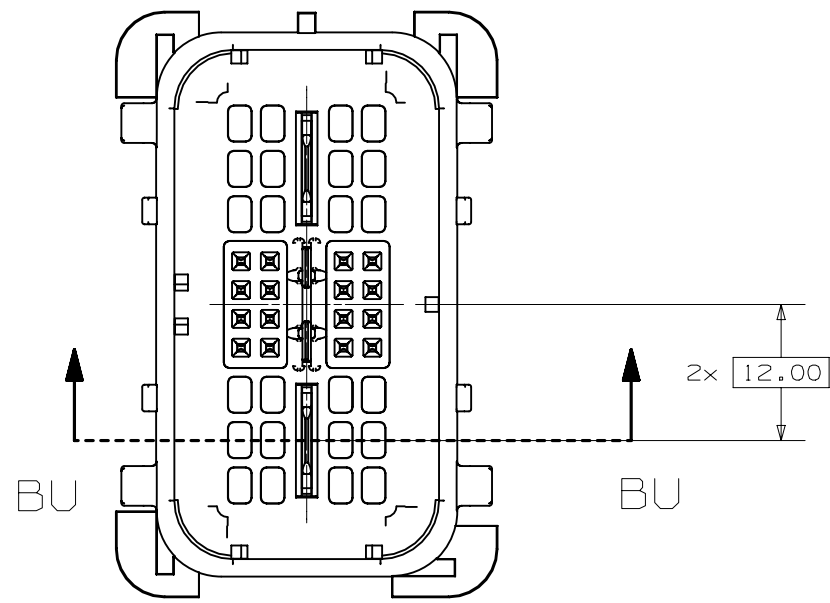
DETAIL DD  
TYPICAL



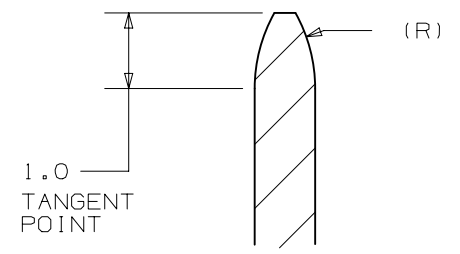
SECTION EE-EE  
TYPICAL

BOTH EDGES COINED  
ON SIDE OPPOSITE  
DIRECTION OF PUNCH  
ALONG ENTIRE LENGTH

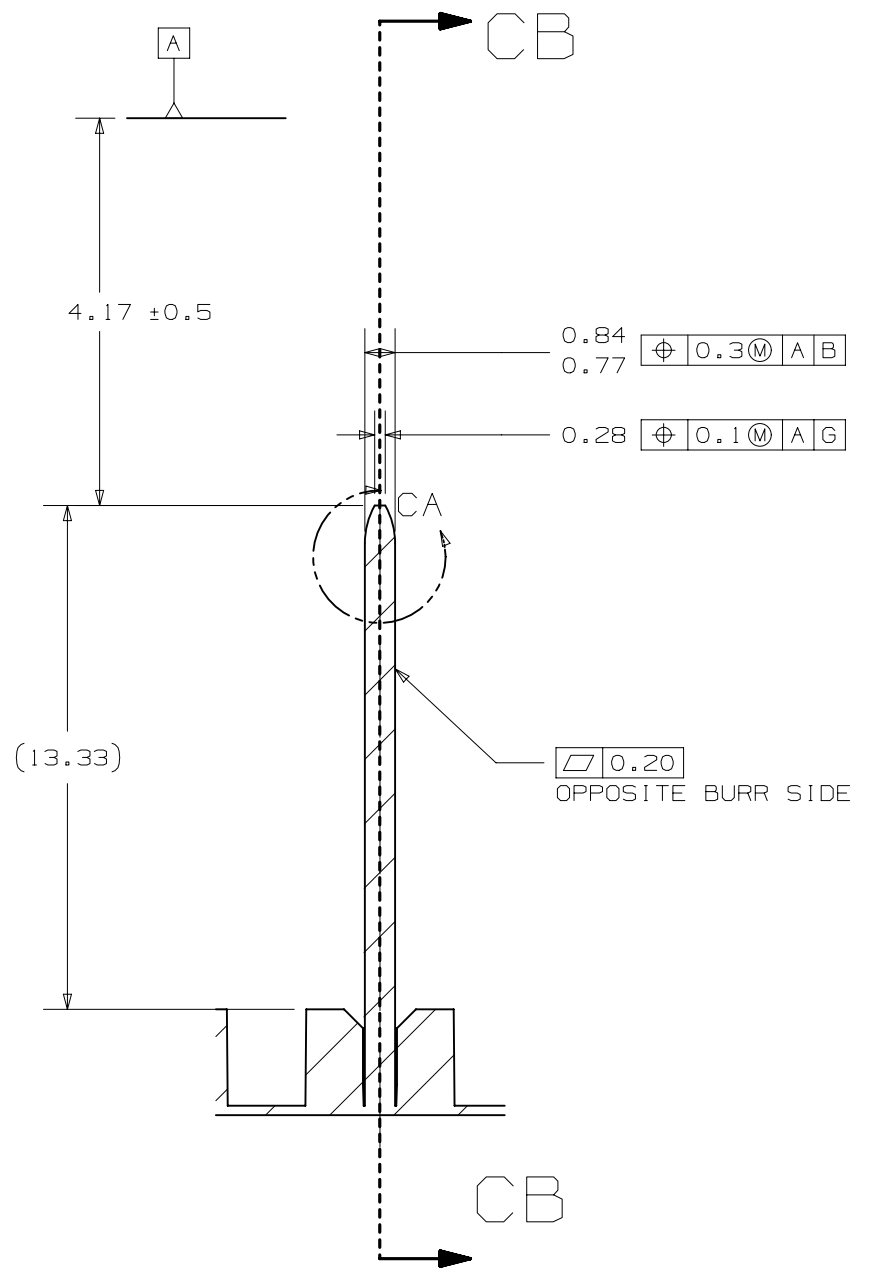




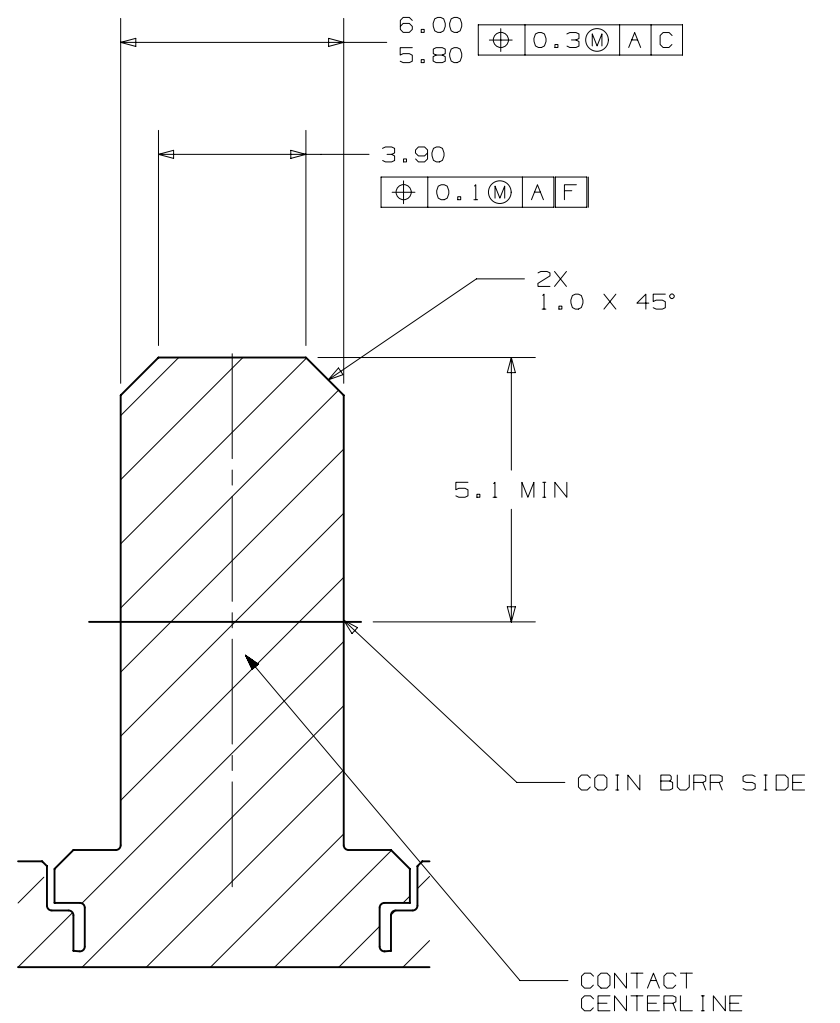
SECTION BU-BU



VIEW CA  
SCALE 10:1



VIEW BY  
SCALE 5:1



SECTION CB-CB



PAGE TITLE  
COMPONENT CONNECTOR INTERFACE

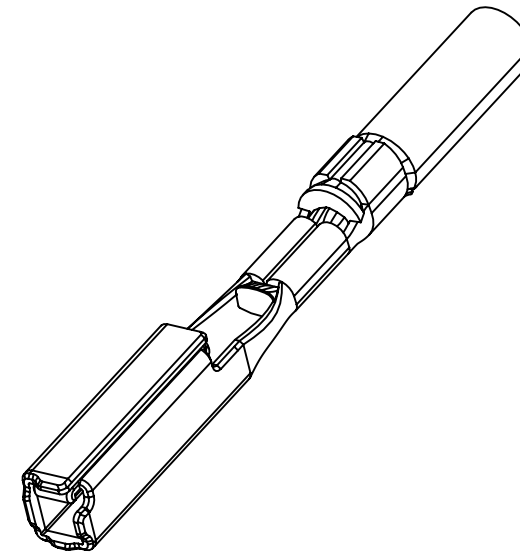
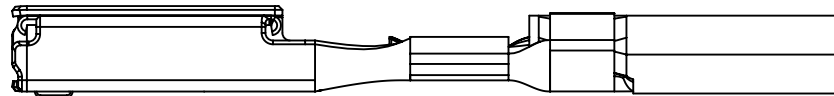
DRAWING NUMBER  
12672832

DWG STATUS		
ST	REV	PD1
R	001	

PAGE NUMBER  
22 OF 23

MOLEX MX64 RECEPTACLE TERMINAL INFORMATION

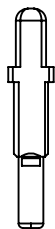
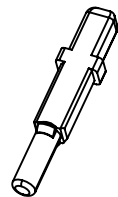
ITEM	MOLEX P/N	GM P/N	WIRE SIZE MM2	TYPE	PLATING	REEL WIND DIRECTION	COMMENTS
1	34736-0025		0.35	ISO	SILVER	LEFT	
2	34736-0026	12672850	0.35	ISO	SILVER	RIGHT	
3	34736-0027		0.5 / 0.75	ISO	SILVER	LEFT	
4	34736-0028	12672851	0.5 / 0.75	ISO	SILVER	RIGHT	



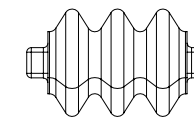
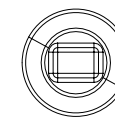
CAVITY PLUGS

ITEM	MFG	MFG P/N	GM P/N RD	SIZE	COLOR	MFG DRAWING	PROD SPEC	APP SPEC	COMMENTS
1	MOLEX	34586-0001	12674820	0.64	NATURAL	SD-34586-001	PS-34566-0000	AS-34566-001	
2	YAZAKI	7158-3114-90	12674821	2.8	BLUE	7158-3114-90	YPES-11-04-062	YPES-15-299	

ITEM 1



ITEM 2

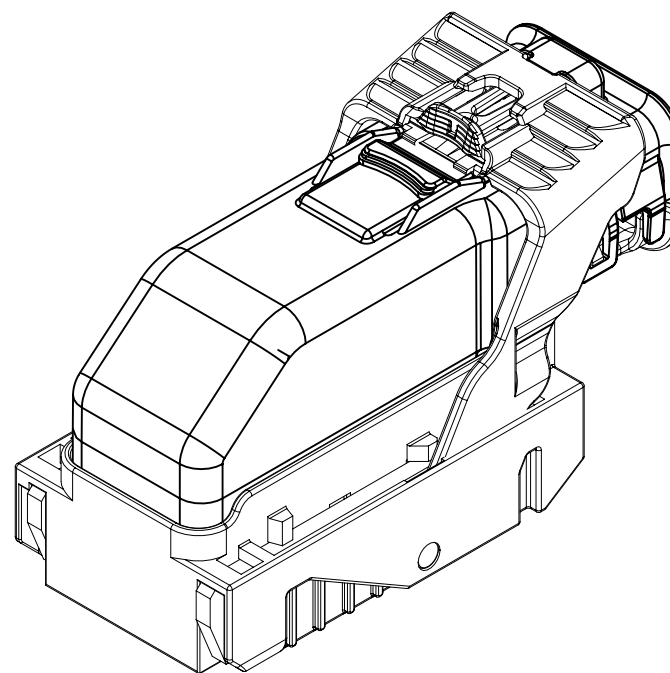


PAGE TITLE  
ADDITIONAL COMPONENTS REQUIRED


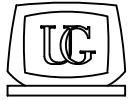
DRAWING NUMBER  
12672832

DWG STATUS			PAGE NUMBER
ST	REV	PDI	
R	001		23 of 23

INDEX	
PAGE TITLE	PAGE
TITLE BLOCK	1
REVISION BLOCK	2
PART BLOCK	3
KPC BLOCK	4
COMPONENT TABLE	5
NOTES	6
NOTES	7
WIRE DRESS PACKAGING DIMENSIONS	8
LOCATION AND PACKAGING DIMENSIONS REFERENCING INTERFACE DATUMS B & C	9
LOCATION AND PACKAGING DIMENSIONS REFERENCING INTERFACE DATUM A	10
KEY ID REF - WIRE DRESS OPTION 0	11
KEY ID REF - WIRE DRESS OPTION 9	12
CIRCUIT CONFIGURATIONS	13
CIRCUIT CONFIGURATIONS	14
COMPONENT CONNECTOR INTERFACE	15
COMPONENT CONNECTOR INTERFACE	16
COMPONENT CONNECTOR INTERFACE	17
COMPONENT CONNECTOR INTERFACE	18
COMPONENT CONNECTOR INTERFACE	19
COMPONENT CONNECTOR INTERFACE	20
COMPONENT CONNECTOR INTERFACE	21
ADDITIONAL COMPONENTS REQUIRED	22




ISO VIEW

	<p><b>UNLESS OTHERWISE SPECIFIED:</b> THIS DOCUMENT IS IN ACCORDANCE WITH ASME Y14.5M-1994 AS AMMENDED BY THE GM GLOBAL DIMENSIONING AND TOLERANCING ADDENDUM-1997. ALL GEOMETRIC TOLERANCES AND RELATED DATUMS APPLY RFS. RULE #1 (PERFECT FORM AT MMC) DOES NOT APPLY WHEN A RELATIONSHIP BETWEEN FEATURES IS ESTABLISHED BY ORIENTATION OR LOCATION TOLERANCES. SEPARATE POSITION CALLOUTS MAY BE GAGED SEPARATELY REGARDLESS OF DATUM REFERENCES.</p>			DATE
	 CHANGE RESTRICTED NO MANUAL CHANGES	REFERENCE 12H (MOLEX AUTOMOTIVE)	DRAFTER APVD1	05JN15
DO NOT SCALE		APVD2		
METRIC DIMENSIONS SHOWN IN MILLIMETERS UNLESS OTHERWISE SPECIFIED	DRAWING NAME	APVD3		
	HARNESS CONN ASM-SEALED 52/66/73/80 CKTS,MX123	APVD4		
		APVD5		
	DRAWING NUMBER	DWG STATUS		
	12672833	ST	REV	
		R	001	
		PAGE NUMBER		
		1	OF 22	

PAGE	DWG STATUS					REVISION HISTORY	AUTH	DR	CK	ENG
	DATE	ST	REV	CHG	PDI					
	05JN15	R	001			RELEASED TO PRODUCTION AT DLS A	CRMRJE	DFK		


PAGE	DWG STATUS					REVISION HISTORY	AUTH	DR	CK	ENG
	DATE	ST	REV	CHG	PDI					

	PAGE TITLE	DRAWING NUMBER	DWG STATUS			PAGE NUMBER	
	REVISION BLOCK		12672833	ST	REV	PDI	2 OF 22
				R	001		

28	RD	12674821	A	C	001				0.000	YAZAKI: 7158-3114-90	2.8MM CAVITY PLUG
27	RD	12674820	A		001				0.000	PLUG-WRG HARN CONN MX0.64	
26	RD	12672851	A		001				0.000	TERM-AG 0.5MM/0.75MM ISO,MX64	
25	RD	12672850	A		001				0.000	TERM-AG 0.35MM ISO,MX64	
24	RD	12582676	A	C	003				0.011	WIRE HARNESS COVER	52/66/73/80 WAY
23	RD	12672869	A	2	001				0.050	HARN CONN ASM 80 CKT	KEY J OPTION 9
22	RD	12672871	A	2	001				0.050	HARN CONN ASM 80 CKT	KEY H OPTION 9
21	RD	12672873	A	2	001				0.050	HARN CONN ASM 80 CKT	KEY G OPTION 9
20	RD	12672868	A	2	001				0.050	HARN CONN ASM 80 CKT	KEY J OPTION 0
19	RD	12672870	A	2	001				0.050	HARN CONN ASM 80 CKT	KEY H OPTION 0
18	RD	12672872	A	2	001				0.050	HARN CONN ASM 80 CKT	KEY G OPTION 0
17	RD	12672867	A	2	001				0.050	HARN CONN ASM 73 CKT	KEY F OPTION 9
16	RD	12672865	A	2	001				0.050	HARN CONN ASM 73 CKT	KEY C OPTION 9
15	RD	12672863	A	2	001				0.050	HARN CONN ASM 73 CKT	KEY B OPTION 9
14	RD	12672861	A	2	001				0.050	HARN CONN ASM 73 CKT	KEY A OPTION 9
13	RD	12672866	A	2	001				0.050	HARN CONN ASM 73 CKT	KEY F OPTION 0
12	RD	12672864	A	2	001				0.050	HARN CONN ASM 73 CKT	KEY C OPTION 0
11	RD	12672862	A	2	001				0.050	HARN CONN ASM 73 CKT	KEY B OPTION 0
10	RD	12672860	A	2	001				0.050	HARN CONN ASM 73 CKT	KEY A OPTION 0
09	RD	12672859	A	2	001				0.050	HARN CONN ASM 66 CKT	KEY C OPTION 9
08	RD	12672857	A	2	001				0.050	HARN CONN ASM 66 CKT	KEY A OPTION 9
07	RD	12672858	A	2	001				0.050	HARN CONN ASM 66 CKT	KEY C OPTION 0
06	RD	12672856	A	2	001				0.050	HARN CONN ASM 66 CKT	KEY A OPTION 0
05	RD	12672855	A	2	001				0.054	HARN CONN ASM 52 CKT	KEY C OPTION 9
04	RD	12672853	A	2	001				0.050	HARN CONN ASM 52 CKT	KEY A OPTION 9
03	RD	12672854	A	2	001				0.054	HARN CONN ASM 52 CKT	KEY C OPTION 0
02	RD	12672852	A	2	001				0.050	HARN CONN ASM 52 CKT	KEY A OPTION 0
01	RD	12672833	A		001				8.751	HARNESS CONN ASM-SEALED 52/66/73/80 CKTS,MX	

HIERARCHY / QUANTITY	DWG ITM	DWG RLTN SHIP	PART NUMBER	P-A ITM	D L S	ST	REV	PDI	N M C I	MASS (KG)	PART NAME	NOTES
----------------------	---------	---------------	-------------	---------	-------	----	-----	-----	---------	-----------	-----------	-------

PARTS SHOWN ON DRAWING

	PAGE TITLE PART BLOCK	DRAWING NUMBER 12672833	DWG STATUS			PAGE NUMBER 3 OF 22
			ST	REV	PDI	
			R	001		

KEY PRODUCT CHARACTERISTICS  
(IN ACCORDANCE WITH QN 1805 OR ON 1050)



SAFETY/COMPLIANCE

TOTAL ON  
DRAWING

4



FIT/FUNCTION

LAST NO.  
USED

4

NO	TYPE	DESCRIPTION	RATIONALE	PAGE/ZONE
1	F/F	32.68	IMPROVE CONNECTOR SYSTEM MATING	16
2	F/F	29.00	INSURE PROPER RELEASE OF LEVER	16
3	F/F	15.25	INSURE FINAL MATE POSITION	17
4	F/F	POSITIONAL TOLERANCE (2 PLACES)	INSURE CONNECTOR SYSTEM MATEABILITY	20



PAGE TITLE  
KPC BLOCK

DRAWING NUMBER

12672833

DWG STATUS

ST	REV	PDI
----	-----	-----

R	001	
---	-----	--

PAGE NUMBER

4 OF 22



LINE	MFG.	MFG. P/N	GM P/N	EFFECTIVE DATE	APPLICABLE COMPONENTS	KEY OPTION	WIRE DRESS OPTION	KEY CONFIG.	COLOR	STATUS
					DESCRIPTION					
-										
1	MOLEX	34565-0003	12582676	02JN03	MX123 DRESS COVER 52/66/73/80 CKT	N/A	N/A	N/A	BLACK	AVAILABLE
2	MOLEX	160094-0001	12672852	01SP13	MX123 HRNS CONN ASSY 52 CKT	A	0	1458	BLACK	AVAILABLE
3	MOLEX	160094-0003	12672854	01SP13	MX123 HRNS CONN ASSY 52 CKT	C	0	2467	BLUE	AVAILABLE
4	MOLEX	160094-0013	12672853	01SP13	MX123 HRNS CONN ASSY 52 CKT	A	9	1458	BLACK	AVAILABLE
5	MOLEX	160094-0015	12672855	01SP13	MX123 HRNS CONN ASSY 52 CKT	C	9	2467	BLUE	AVAILABLE
6	MOLEX	34822-0013	12672856	01SP13	MX123 HRNS CONN ASSY 66 CKT	A	0	1458	BLACK	AVAILABLE
7	MOLEX	34822-0033	12672858	01SP13	MX123 HRNS CONN ASSY 66 CKT	C	0	2467	BLUE	AVAILABLE
8	MOLEX	34822-0023	12672857	01SP13	MX123 HRNS CONN ASSY 66 CKT	A	9	1458	BLACK	AVAILABLE
9	MOLEX	34822-0043	12672859	01SP13	MX123 HRNS CONN ASSY 66 CKT	C	9	2467	BLUE	AVAILABLE
10	MOLEX	34566-0103	12672860	11JN04	MX123 HRNS CONN ASSY 73 CKT	A	0	1458	BLACK	AVAILABLE
11	MOLEX	34566-0203	12672862	11JN04	MX123 HRNS CONN ASSY 73 CKT	B	0	1468	ST GRAY	AVAILABLE
12	MOLEX	34566-0303	12672864	09AP08	MX123 HRNS CONN ASSY 73 CKT	C	0	2467	BLUE	AVAILABLE
13	MOLEX	34566-0603	12672866	05DC14	MX123 HRNS CONN ASSY 73 CKT	F	0	1357	NATURAL	AVAILABLE
14	MOLEX	34566-1303	12672861	11JN04	MX123 HRNS CONN ASSY 73 CKT	A	9	1458	BLACK	AVAILABLE
15	MOLEX	34566-1403	12672863	11JN04	MX123 HRNS CONN ASSY 73 CKT	B	9	1468	ST GRAY	AVAILABLE
16	MOLEX	34566-1503	12672865	09AP08	MX123 HRNS CONN ASSY 73 CKT	C	9	2467	BLUE	AVAILABLE
17	MOLEX	34566-1803	12672867	05DC14	MX123 HRNS CONN ASSY 73 CKT	F	9	1357	NATURAL	AVAILABLE
18	MOLEX	34566-0703	12672872	09AP08	MX123 HRNS CONN ASSY 80 CKT	G	0	1358	BLUE	AVAILABLE
19	MOLEX	34566-0803	12672870	11JN04	MX123 HRNS CONN ASSY 80 CKT	H	0	2458	ST GRAY	AVAILABLE
20	MOLEX	34566-0903	12672868	T.B.D	MX123 HRNS CONN ASSY 80 CKT	J	0	2457	BLACK	NOT ACTIVE
21	MOLEX	34566-1903	12672873	09AP08	MX123 HRNS CONN ASSY 80 CKT	G	9	1358	BLUE	AVAILABLE
22	MOLEX	34566-2003	12672871	11JN04	MX123 HRNS CONN ASSY 80 CKT	H	9	2458	ST GRAY	AVAILABLE
23	MOLEX	34566-2103	12672869	T.B.D	MX123 HRNS CONN ASSY 80 CKT	J	9	2457	BLACK	NOT ACTIVE
24	MOLEX	34736-0028	12672851	01AU10	MX64 RCPT TERM Ag 0.5mm/0.75mm ISO GAGE B (RIGHT PAYOFF)	N/A	N/A	N/A	N/A	AVAILABLE
25	MOLEX	34736-0026	12672850	01AU10	MX64 RCPT TERM Ag 0.35mm ISO GAGE B (RIGHT PAYOFF)	N/A	N/A	N/A	N/A	AVAILABLE
26	MOLEX	34586-0001	12674820	11JN04	MX123 0.64mm GROMMET PLUG	N/A	N/A	N/A	NATURAL	AVAILABLE
27	YAZAKI	7116-4150-02	12588066	02JN03	2.8mm YESC SEALED FEMALE TERMINAL TIN 0.35mm2-0.50mm2	N/A	N/A	N/A	N/A	NOT ACTIVE
28	YAZAKI	7116-4151-02	12588067	02JN03	2.8mm YESC SEALED FEMALE TERMINAL TIN 0.75mm2-1.0mm2	N/A	N/A	N/A	N/A	NOT ACTIVE
29	YAZAKI	7116-4152-02	12582685	02JN03	2.8mm YESC SEALED FEMALE TERMINAL TIN 1.5mm2-2.5mm2	N/A	N/A	N/A	N/A	AVAILABLE
30	YAZAKI	7158-3111-60	12588068	02JN03	2.8mm CABLE SEAL (wire O.D. range 1.2mm-1.9mm)	N/A	N/A	N/A	GREEN	NOT ACTIVE
31	YAZAKI	7158-3112-70	12588069	02JN03	2.8mm CABLE SEAL (wire O.D. range 1.8mm-2.3mm)	N/A	N/A	N/A	YELLOW	NOT ACTIVE
32	YAZAKI	7158-3113-40	12582686	02JN03	2.8mm CABLE SEAL (wire O.D. range 2.1mm-3.0mm)	N/A	N/A	N/A	WHITE	AVAILABLE
33	YAZAKI	7158-3114-90	12674821	02JN03	2.8mm YESC CAVITY PLUG	N/A	N/A	N/A	BLUE	AVAILABLE
34	MOLEX	63825-8400	N/A	02JN03	MX64 TERM HAND CRIMP TOOL	N/A	N/A	N/A	N/A	AVAILABLE
35	MOLEX	63813-1400	XX019826	02JN03	MX64 TERM SERVICE TOOL	N/A	N/A	N/A	N/A	AVAILABLE
36	MOLEX	63902-5300	N/A	02JN03	MX64 CRIMP APPLICATOR with TOOL KIT 0.5/0.75mm2 PAYOFF DIRECTION D (left payoff) (contact Molex for payoff detail)	N/A	N/A	N/A	N/A	AVAILABLE
37	MOLEX	63902-5370	N/A	02JN03	MX64 APPLICATOR TOOL KIT 0.5/0.75mm2	N/A	N/A	N/A	N/A	AVAILABLE
38	MOLEX	63902-5100	N/A	02JN03	MX64 CRIMP APPLICATOR with TOOL KIT 0.35mm2 PAYOFF DIRECTION D (left payoff) (contact Molex for payoff detail)	N/A	N/A	N/A	N/A	AVAILABLE
39	MOLEX	63902-5170	N/A	02JN03	MX64 APPLICATOR TOOL KIT 0.35mm2	N/A	N/A	N/A	N/A	AVAILABLE
40	SPX	J35616-64	T.B.D.	02JN03	0.64mm PROBE TOOL (for rcpt)	N/A	N/A	N/A	N/A	AVAILABLE
41	SPX	J35616-64A	T.B.D.	02JN03	0.64mm PROBE TOOL WITH EXT (for rcpt)	N/A	N/A	N/A	N/A	AVAILABLE
42	SPX	J35616-65	T.B.D.	02JN03	0.64mm PROBE TOOL WITH EXT (for pin)	N/A	N/A	N/A	N/A	AVAILABLE
43	SPX	J35616-4A	T.B.D.	02JN03	2.8mm PROBE TOOL (for rcpt)	N/A	N/A	N/A	N/A	AVAILABLE
44	YAZAKI	X39899-J374	12094430	02JN03	2.8mm TERM SERVICE TOOL	N/A	N/A	N/A	N/A	AVAILABLE
45	TQI	7000-1006	N/A	15JN15	52 CKT PASS THROUGH ADAPTERS	N/A	N/A	N/A	BLACK	AVAILABLE
46	TQI	7000-1002	N/A	15JN15	66 CKT PASS THROUGH ADAPTERS	N/A	N/A	N/A	BLACK	AVAILABLE
47	TQI	79917-0061	N/A	15JN15	73 CKT PASS THROUGH ADAPTERS	N/A	N/A	N/A	BLACK	AVAILABLE
48	TQI	79917-0066	N/A	15JN15	80 CKT PASS THROUGH ADAPTERS	N/A	N/A	N/A	BLACK	AVAILABLE

\* - MX123 DRESS COVER 52/66/73/80 CKT MATES TO ANY MX123 HARN CONN ASSY SHOWN ON TABLE ABOVE



PAGE TITLE  
COMPONENT TABLE

DRAWING NUMBER

12672833

DWG STATUS

ST REV PDI

R 001

PAGE NUMBER

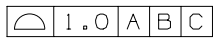
5 OF 22

NOTES: UNLESS OTHERWISE SPECIFIED

1. MATERIAL FOR INTERFACE:


- A. RESIN:
  - 1. 30% G.F. PBT; 20% MAX. (BY WEIGHT) REGRIND.
  - 2. MATING CONNECTOR INTERFACE PART COLOR MUST BE SAME AS MATCHING KEYED HARNESS CONNECTOR ASSEMBLY.
  - 3. MUST BE VALIDATED FOR INDIVIDUAL DEVICE APPLICATION REQUIREMENTS.
- B. 0.64MM PINS:
  - 1. BASE MATERIAL: COPPER ALLOY; CONDUCTIVITY >= 28% IACS AT 20°C; TENSILE STRENGTH >= 635 N/mm<sup>2</sup>; SURFACE ROUGHNESS R<sub>a</sub> 6 MAX.
  - 2. PLATING FINISH: SILVER (Ag). PLATING TO BE 1.9-3.3 μm ELECTRODEPOSITED SEMI-BRIGHT SILVER OVER 1.25-2.25 μm DUCTILE SULPHAMATE NICKEL PER NOTE 1(D).
  - 3. ANTI-TARNISH: SYNTHETIC HYDROCARBON CONTACT SURFACE FINISH OR EQUIVALENT APPLIED WITHOUT VOID TO CONTACT AREA (MIN 3.7mm FROM PIN TIP).
- C. 2.8MM BLADE:
  - 1. BASE MATERIAL: COPPER ALLOY; CONDUCTIVITY >= 28% IACS AT 20°C; TENSILE STRENGTH >= 350 N/mm<sup>2</sup>; SURFACE ROUGHNESS R<sub>a</sub> 6 MAX.
  - 2. PLATING FINISH: TIN. PLATING TO BE 2.5-5.0 μm ELECTRODEPOSITED TIN, MATTE FINISH OVER 1.25-2.5 μm DUCTILE SULPHAMATE NICKEL PER NOTE 1(D).
- D. PLATING REQUIREMENTS:
  - 1. SILVER PLATING
    - a. 99.5% PURE SEMI-BRIGHT WITH NO ORGANIC BRIGHTNERS OR CHROMATES.
  - 2. NICKEL PLATING
    - a. ELECTRODEPOSITED DUCTILE SULFAMATE NICKEL WITH A NON-BRIGHTENED FINISH. NO ORGANIC OR BRIGHTENING AGENTS SHALL BE ALLOWED.
    - b. SHALL ONLY BE USED AS AN UNDERLYING PLATING AND MAY NOT BE USED AS AN ELECTRICAL CONTACT SURFACE PLATING.
    - c. SHALL BE NODULE FREE WHEN VIEWED AT 10X MAGNIFICATION IN MEASURED IN CONTACT SURFACE AREA PLUS 0.5MM PERIMETER AROUND THE CONTACT SURFACE AREA.
    - d. ALL PLATINGS SHALL HAVE A 1.0% MAXIMUM BY WEIGHT IMPURITIES. IMPURITIES ARE DEFINED AS ALL ELEMENTS NOT THE PRIMARY PLATING OR HARDENING AGENT IF APPLICABLE, AS DETERMINED BY WET CHEMICAL ANALYSIS OR AUGER METHOD. NO SINGLE IMPURITY SHALL EXCEED 0.1% MAXIMUM BY WEIGHT.
  - 3. TESTING
    - a. THICKNESS TO BE MEASURED IN CONTACT SURFACE AREA PLUS 0.5MM PERIMETER AROUND THE CONTACT SURFACE AREA AS DESIGNATED IN THE DRAWING. THICKNESS SHALL BE DETERMINED BY METHOD OF X-RAY (XRF).
    - b. PLATING ADHESION SHALL BE TESTED BY A BEND TEST FOR ALL METALS. THE TEST SAMPLE SHALL BE BENT 90 DEGREES TO DETERMINE DEPOSIT ADHESION. TESTING SHALL BE COMPLETED IN ACCORDANCE WITH ASTM SPEC B571.

2. DESIGN - GENERAL:

- A. THIS IS A 100% CAD GENERATED PART. THE CAD MATHEMATICAL DATA IS THE MASTER FOR THIS PART. FOR DIMENSIONAL OR ANY INFORMATION NOT SHOWN ON THIS DRAWING, ANALYZE THE CAD MODEL.
- B. TOLERANCES:
  - 1. LINEAR
    - 0.X ± 0.30
    - 0.XX ± 0.10
    - 0.XXX ± 0.10
  - 2. ANGULAR X° ± 3°
  - 3. 
- C. MINIMUM WALL THICKNESS REQUIRED: 1.3mm.
- D. CORNERS SHOWN AS SHARP TO BE R 0.2 MAX.
- E. LETTERING SHALL BE 0.15 MAX RAISED IN 0.20 MAX RECESS PAD. THIS INCLUDES MATERIAL CODE, RECYCLING CODE, CAVITY ID AND DATE CODE.
- F-1. PARTS MUST BE FREE OF DISCOLORATION, SALT RESIDUE AND OTHER IMPERFECTIONS THAT AFFECT FIT OR FUNCTION.
- F-2. SCRATCHES OR DENTS NOT TO EXCEED 0.013mm IN DEPTH.
- G. FOLLOWING PRODUCTION CODES TO BE PERMANENTLY MARKED & HUMAN READABLE TO A LETTER HEIGHT OF 1.5 ± 0.5MM X 0.3 MAX DEEP
  - 1. MATERIAL #: XXXXX-XXXX
  - 2. DATE CODE: JJJY (JULIAN DAY, LAST DIGIT OF YEAR)
  - 3. INSPECTION MACHINE CODE + SERIAL #: X\_XXXXX

3. DESIGN - MANUFACTURING:

- A. DRAFT TO BE WITHIN TOLERANCE.
- B. ALLOWABLE FLASH MAX 0.2 HIGH X MAX 0.13 THICK.
- C. ALLOWABLE PARTING LINE MISMATCH 0.2 MAX.
- D. EJECTOR PINS MARK TO BE FLUSH TO 0.25 MAX DEPRESSED.
- E. ALLOWABLE GATE VESTIGE FLUSH TO 0.25 MAX PROTRUSION.
- F. NO EXTERNAL MOLD RELEASE AGENT ALLOWED DURING MANUFACTURING.
- G. STEEL THAT FORMS THE INDICATED SURFACE MUST BE POLISHED WITH A DIAMOND FINISH (SPI A-2) OVER THE FULL PERIPHERY OF THE TOOL. SURFACE MUST HAVE NO MISMATCH.
- H. ANY PROCESS LUBRICANT REMAINING ON THE TERMINAL MUST NOT VARNISH OR DEGRADE IT'S ELECTRICAL PERFORMANCE UP TO A MAXIMUM CLASS AMBIENT TEMPERATURE PER SAE USCAR-2 FOR 1008 HOURS. PROCESS LUBRICANTS SHOULD BE APPROVED BY THE RESPONSIBLE ENGINEER.
- J. OPTIONAL FEATURES PROVIDED FOR AUTOMATION.
- K. PART MUST BE FREE FROM BURRS AND SHARP EDGES, WHICH MIGHT BE DETRIMENTAL TO SATISFACTORY ASSEMBLY, SAFE HANDLING OR FUNCTION OF PART.
- L. PARTS AS DELIVERED TO ASSEMBLY SHALL BE CLEAN AND FREE OF DEBRIS, RESIDUAL ABRASIVE MATERIAL AND CORROSION PRODUCTS ADVERESLY AFFECTING FUNCTION OR APPEARENCE.
- M. RESTRICTED AND REPORTABLE SUBSTANCES FOR PARTS PER GMW3059.

	PAGE TITLE	DRAWING NUMBER	DWG STATUS			PAGE NUMBER	
	NOTES		12672833	ST	REV	PDI	6 OF 22
				R	001		

NOTES: UNLESS OTHERWISE SPECIFIED

4. SYSTEM REQUIREMENTS:

- A. HARNESS CONNECTOR IS COMPATIBLE WITH THE FOLLOWING ISO WIRE SIZE NO'S:  
 0.35mm<sup>2</sup>, MEETING GMW15626 - MIN OD OF 1.30MM  
 0.50mm<sup>2</sup>, MEETING GMW15626  
 0.75mm<sup>2</sup>, MEETING GMW15626 - MAX OD OF 2.06MM

B. CABLE TIE SPECIFICATIONS:

1. CABLE TIE:
  - TENSILE RATING: 220N / (50lbs) MIN
  - TIE LENGTH: 186mm MIN
  - TIE WIDTH: 4.75mm MAX
  - MATERIAL: NYLON
2. INSTALLATION:
  - CABLE TIE TENSION: 190N MIN
3. DRESSED WIRE BUNDLE PACKAGING: SEE FIG. 1

C. WHEN MATED WITH COMPONENT CONNECTOR INTERFACE AND/OR DRESS COVER, HARNESS CONNECTOR SYSTEM CONFORMS TO THE FOLLOWING:

1. SAE/USCAR-2, REV: 3 APRIL, 2001; CLASS 3
2. FIELD CORRELATED LIFE TEST, SAE/USCAR-20, NOV. 2001
3. GMW #3191 AUGUST 22, 2000 (DRAFT); TEMPERATURE CLASS 3, SEALING CLASS 1, VIBRATION CLASS 2
4. RESTRICTED AND REPORTABLE CHEMICALS PER GMW #3059, REV: D AUGUST 2002
5. TPA USER FORCES (FULLY POPULATED WITH TERMINALS)
  - a. REMOVAL FROM LOCK TO PRE-SET: <=120N

D. WIRE SPECIFICATIONS:

1. WIRE SURFACE MUST BE FREE OF SCRATCHES, GROOVES OR DENTS WHERE FUNCTIONAL

5. TERMINAL CURRENT RATINGS:

A. MX64 RCPT TERM

ALL TESTING DONE IN ACCORDANCE WITH USCAR-2 REV5 SECTION 5.3

1. MX64 RCPT TERM Ag 0.50/0.75mm<sup>2</sup> CRIMPED TO 0.75mm<sup>2</sup> ISO WIRE AND MATED TO MX123 0.64MM PIN: SEE TABLE BELOW
2. MX64 RCPT TERM Ag 0.35mm<sup>2</sup> CRIMPED TO 0.35mm<sup>2</sup> ISO WIRE AND MATED TO MX123 0.64MM PIN: SEE TABLE BELOW

WIRE	CURRENT RATING			
	23°C	85°C	105°C	125°C
0.75mm <sup>2</sup>	11.3A	11.3A	9.5A	6.6A
0.50mm <sup>2</sup>	10.0A	10.0A	8.3A	5.7A
0.35mm <sup>2</sup>	8.5A	8.5A	7.1A	5.0A

B. 2.8MM RCPT TERM

ALL TESTING DONE IN ACCORDANCE WITH MOLEX DVP&R 0279 (TR # 7125)

1. 2.8MM RCPT TERM TIN 2.0mm<sup>2</sup> CRIMPED TO 2.0mm<sup>2</sup> ISO WIRE AND MATED TO MX123 2.8MM BLADE: 25.6 AMPS AT 125°C

6. CONTACT MOLEX AUTOMOTIVE FOR AVAILABLE CUSTOM PATTERNS OF CAVITIES OPEN FOR CIRCUITS - SEE GM DRAWING 13507496



PAGE TITLE  
NOTES

DRAWING NUMBER

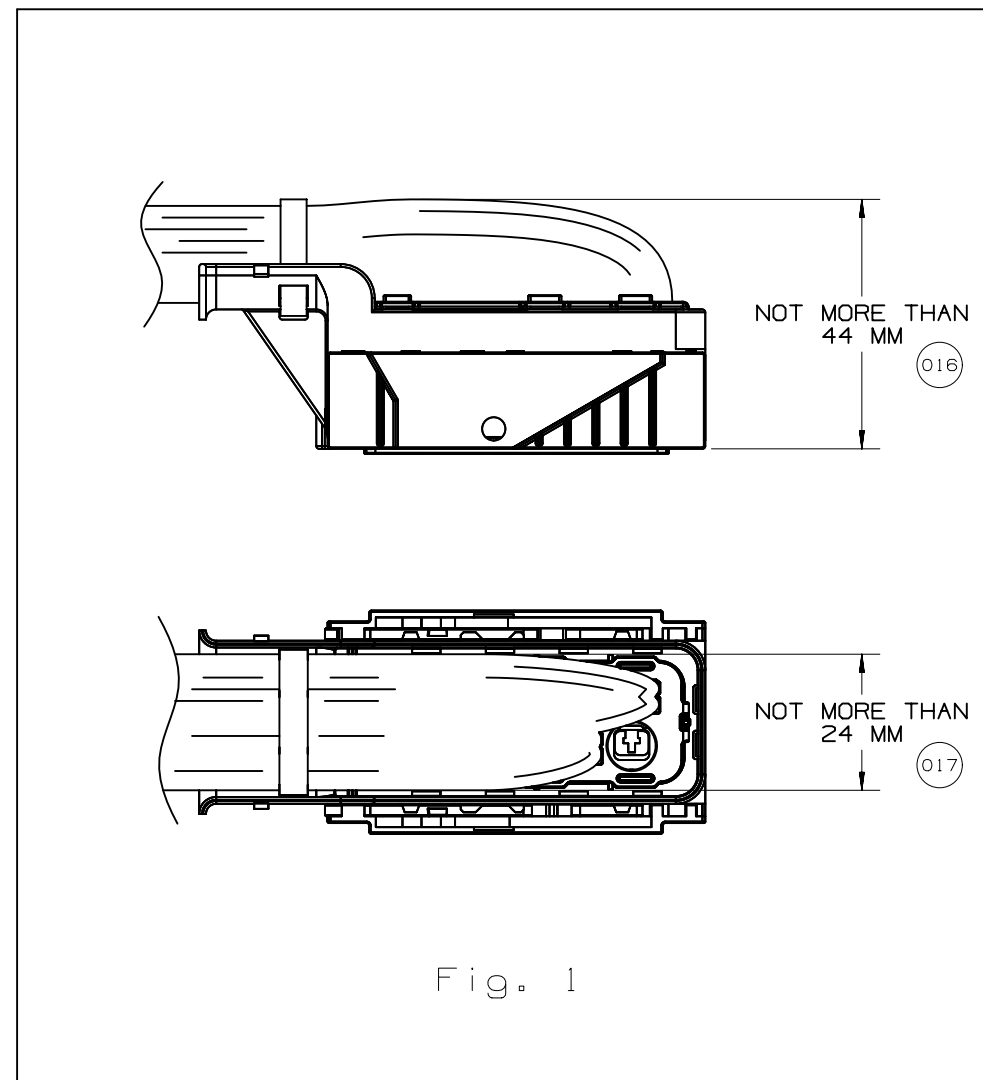
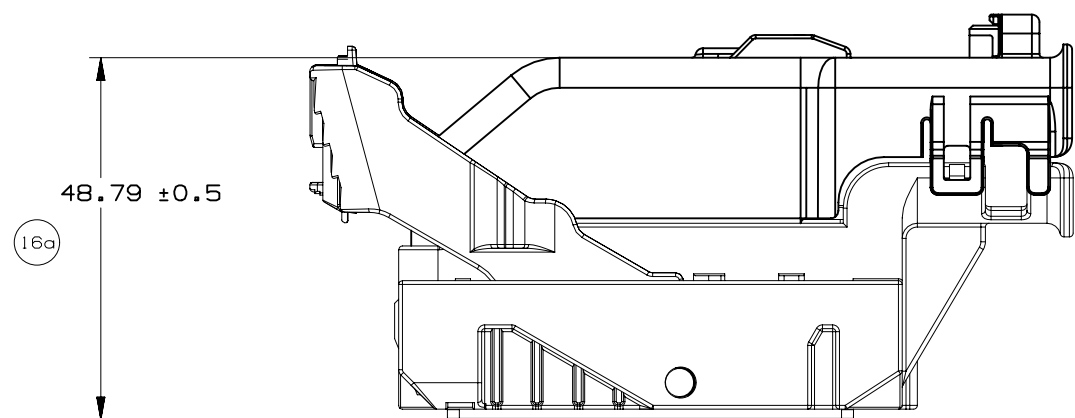
12672833

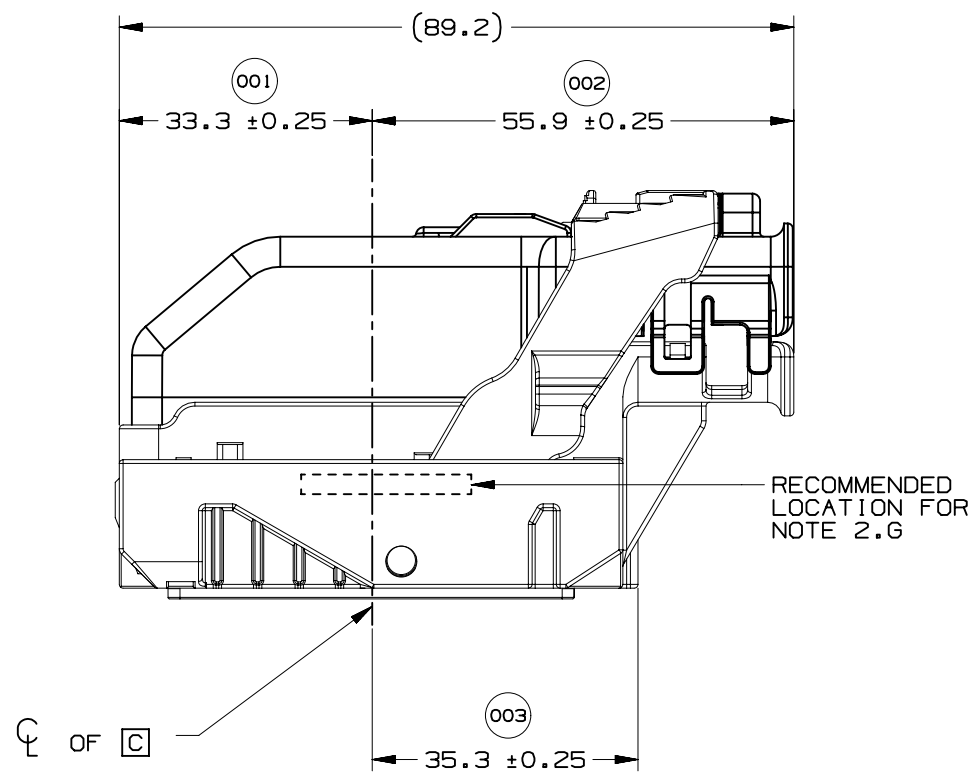
DWG STATUS

ST	REV	PDI
R	001	

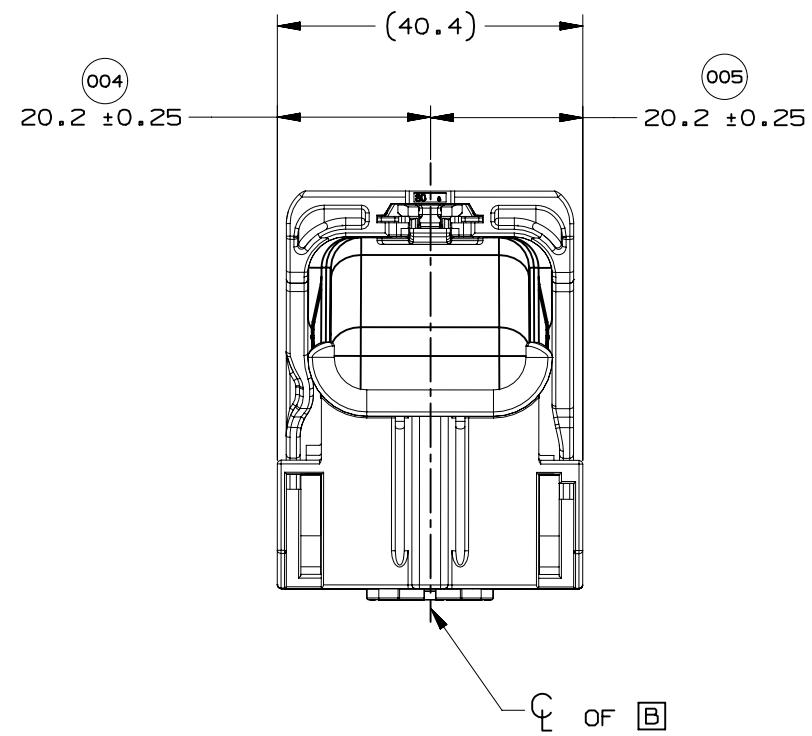
PAGE NUMBER

7 OF 22

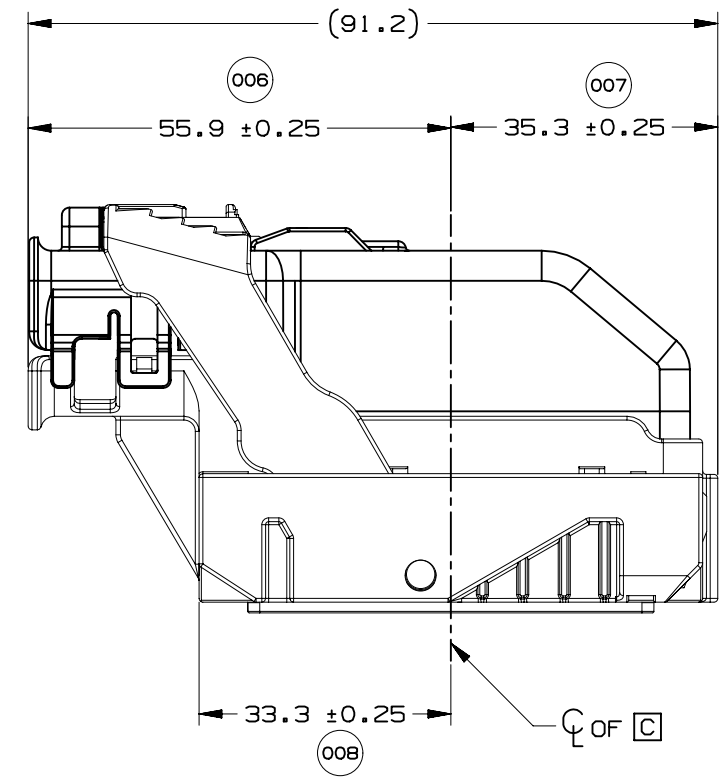




WIRE DRESS OPTION 0 SHOWN

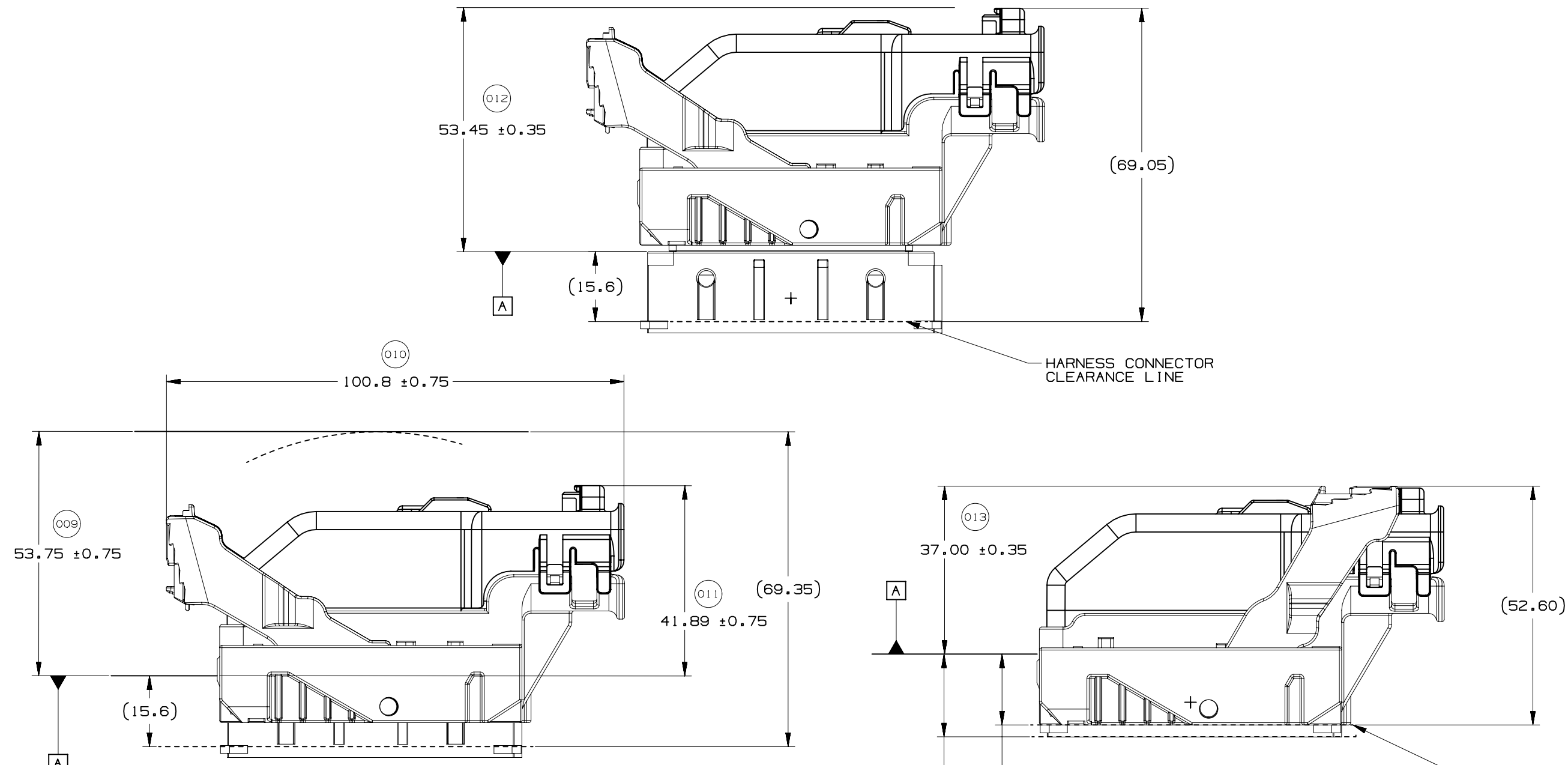


WIRE DRESS OPTION 0 SHOWN



WIRE DRESS OPTION 9 SHOWN





HARNESS CONNECTOR CLEARANCE LINE

HARNESS CONNECTOR ASSEMBLY IN FULLY-MATED POSITION

HARNESS CONNECTOR CLEARANCE LINE

15.6 MIN. ALL AROUND CLEARANCE REQUIRED FOR HARNESS CONNECTOR (014)

17.9 MIN. AT PAD LOCATION CLEARANCE REQUIRED FOR HARNESS CONNECTOR CONSTRUCTION BELOW THIS PLANE IS NOT CONTROLLED (015)

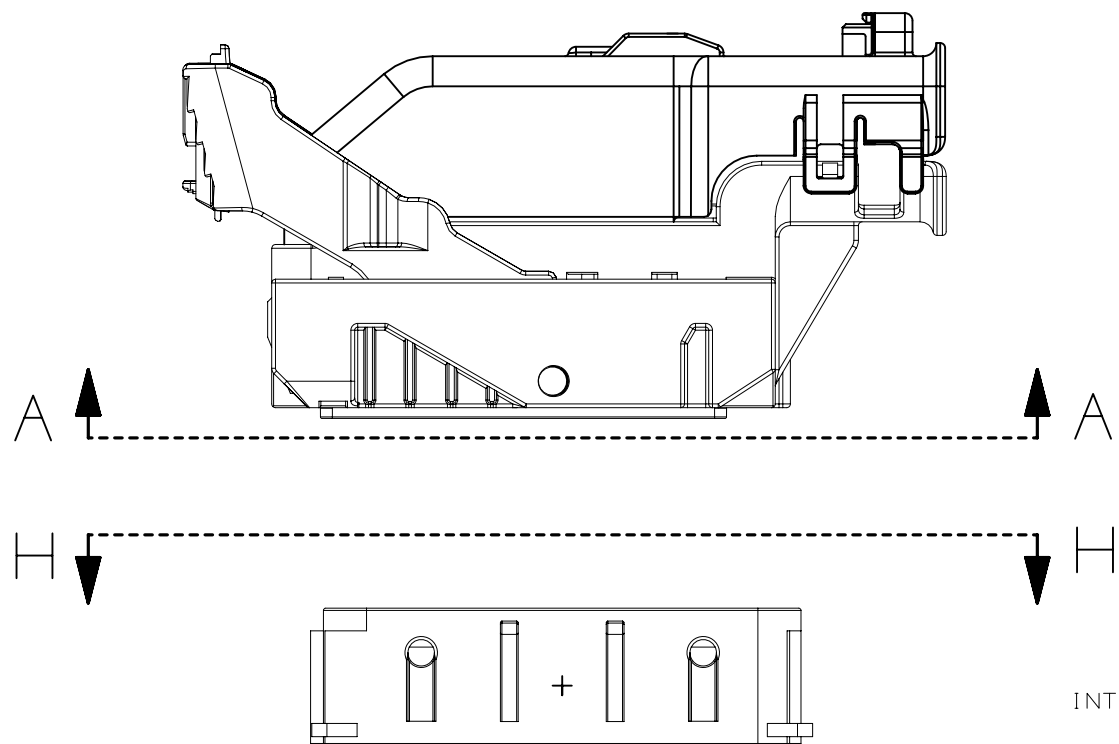


PAGE TITLE  
 LOCATION AND PACKAGING DIMENSIONS  
 REFERENCING INTERFACE DATUM A

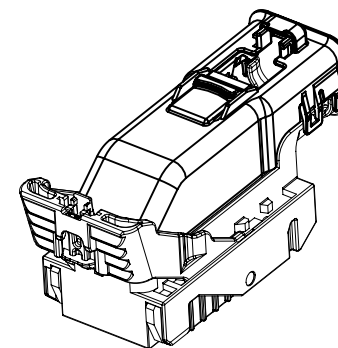
DRAWING NUMBER  
 12672833

DWG STATUS		
ST	REV	PD1
R	001	

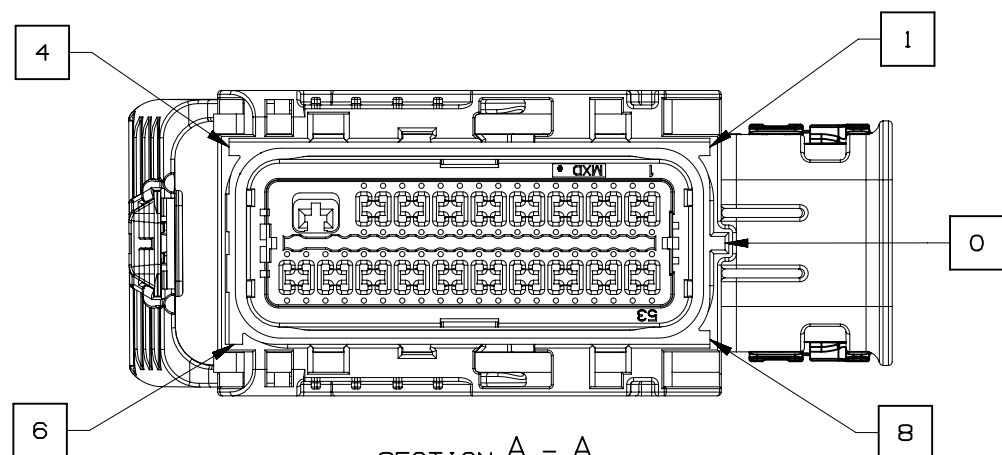
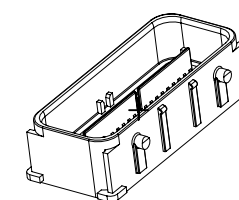
PAGE NUMBER  
 10 OF 22



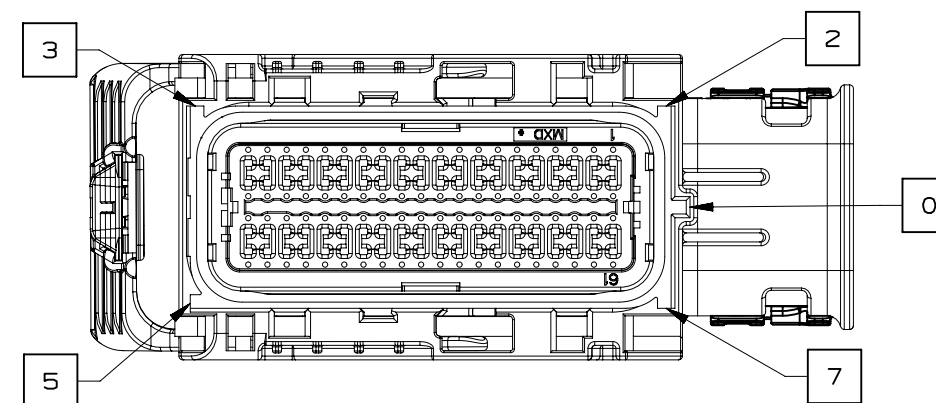
INTERFACE SIDE SHOWN ON ALL SECTION VIEWS



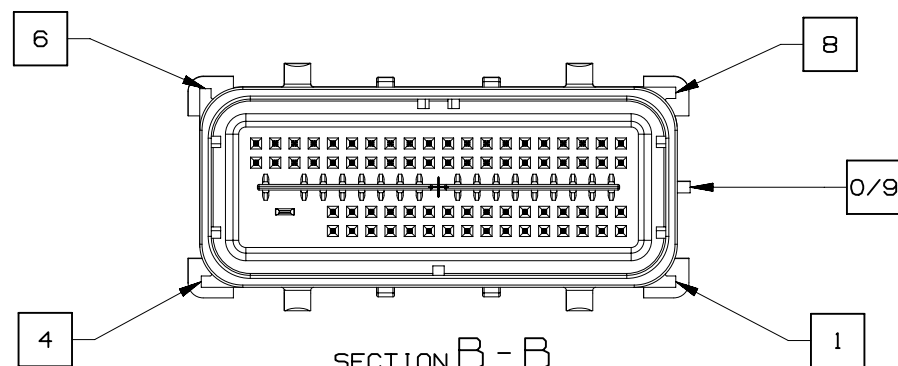
NOTE: REFERENCE THE COMPONENT TABLE FOR KEY OPTIONS AND CONFIGURATIONS



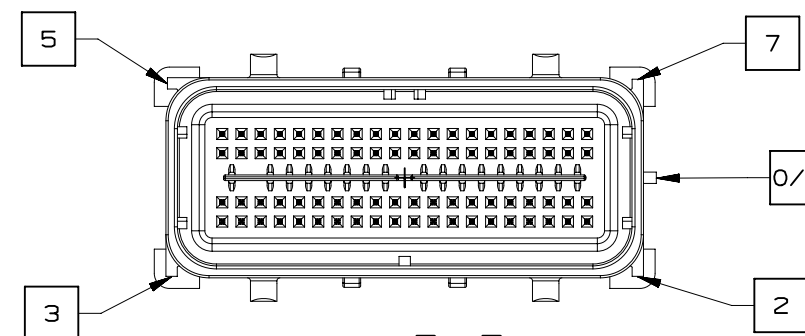
SECTION A - A  
73 CKT HARNESS CONNECTOR ASSEMBLY  
KEY OPTION B SHOWN



SECTION A - A  
80 CKT HARNESS CONNECTOR ASSEMBLY  
KEY OPTION K SHOWN



SECTION B - B  
73 CKT HARNESS CONNECTOR ASSEMBLY  
KEY OPTION B SHOWN



SECTION B - B  
80 CKT HARNESS CONNECTOR ASSEMBLY  
KEY OPTION K SHOWN

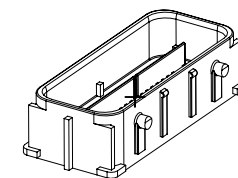
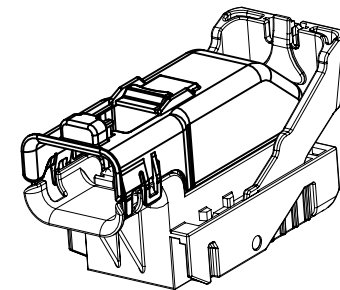
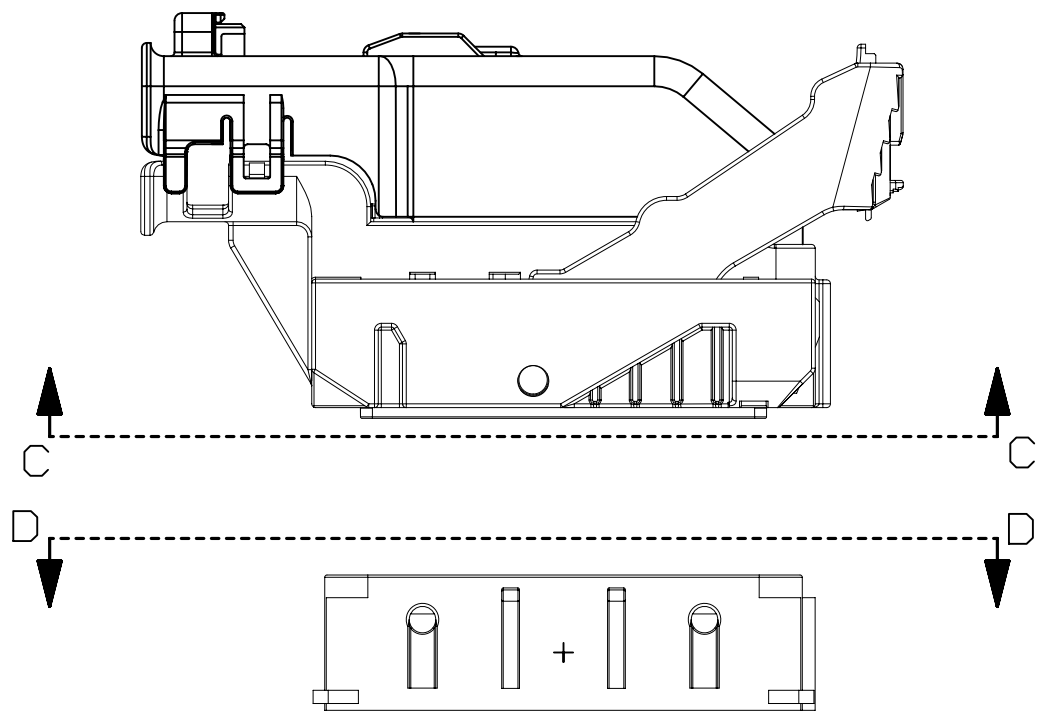


PAGE TITLE  
KEY ID REF - WIRE DRESS OPTION 0

DRAWING NUMBER  
12672833

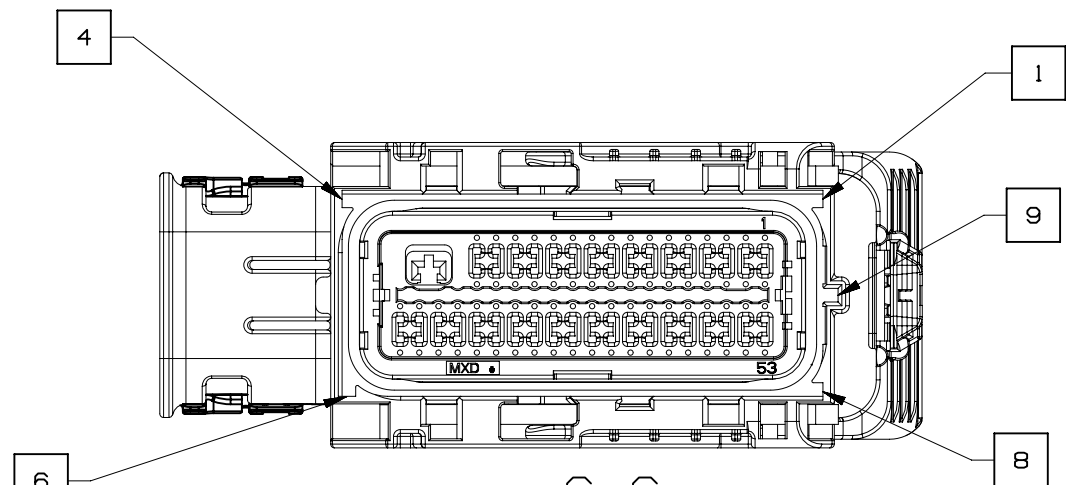
DWG STATUS		
ST	REV	PD1
R	001	

PAGE NUMBER  
11 OF 22

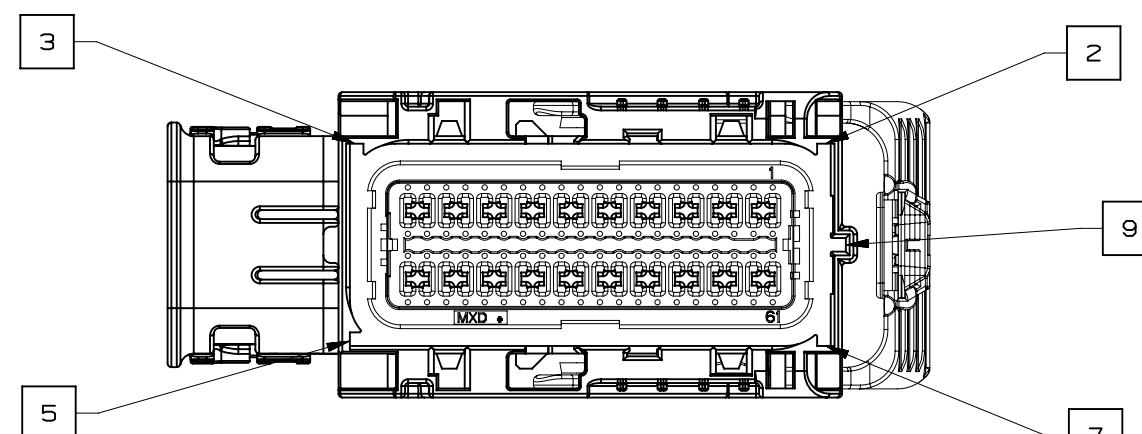


NOTE: REFERENCE THE COMPONENT TABLE FOR KEY OPTIONS AND CONFIGURATIONS

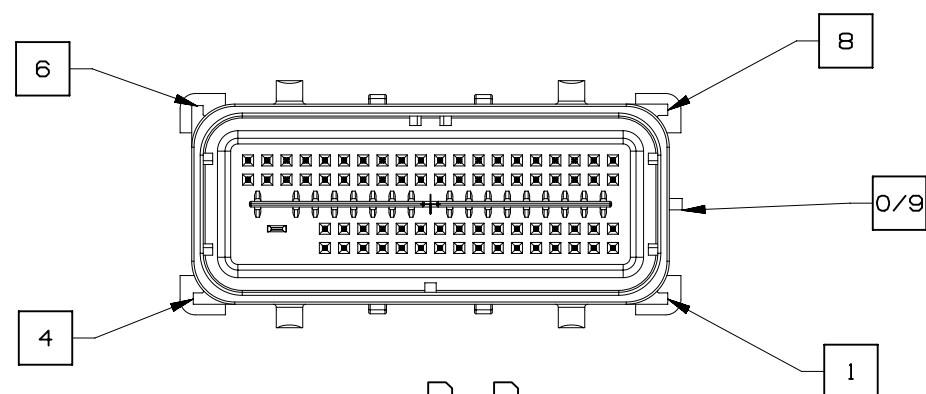
INTERFACE SIDE SHOWN ON ALL SECTION VIEWS



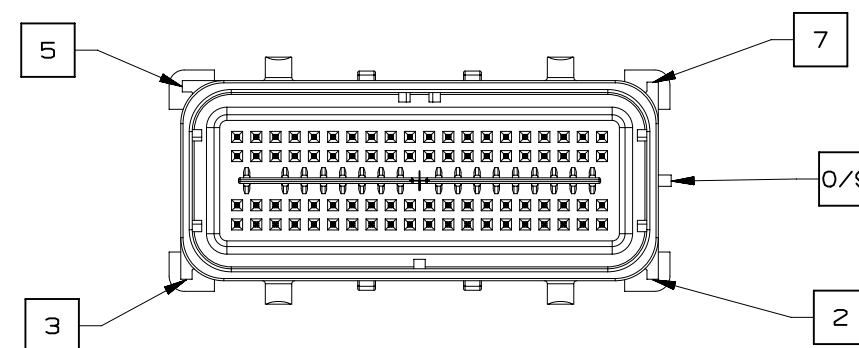
SECTION C - C  
73 CKT HARNESS CONNECTOR ASSEMBLY  
KEY OPTION B SHOWN



SECTION C - C  
80 CKT HARNESS CONNECTOR ASSEMBLY  
KEY OPTION K SHOWN



SECTION D - D  
73 CKT HARNESS CONNECTOR ASSEMBLY  
KEY OPTION B SHOWN



SECTION D - D  
80 CKT HARNESS CONNECTOR ASSEMBLY  
KEY OPTION K SHOWN



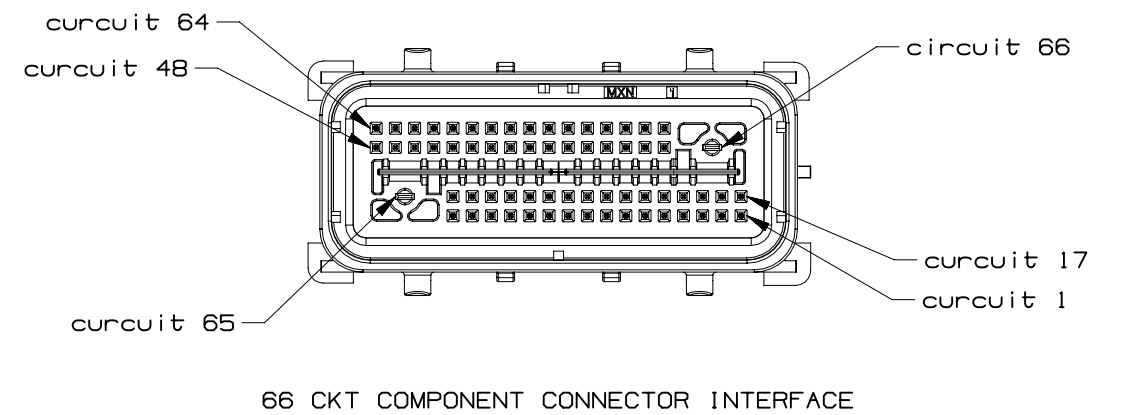
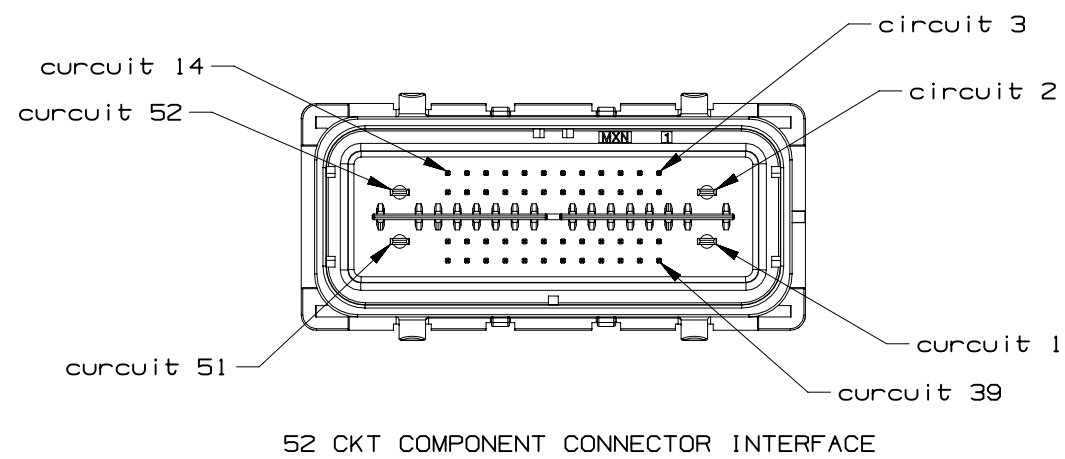
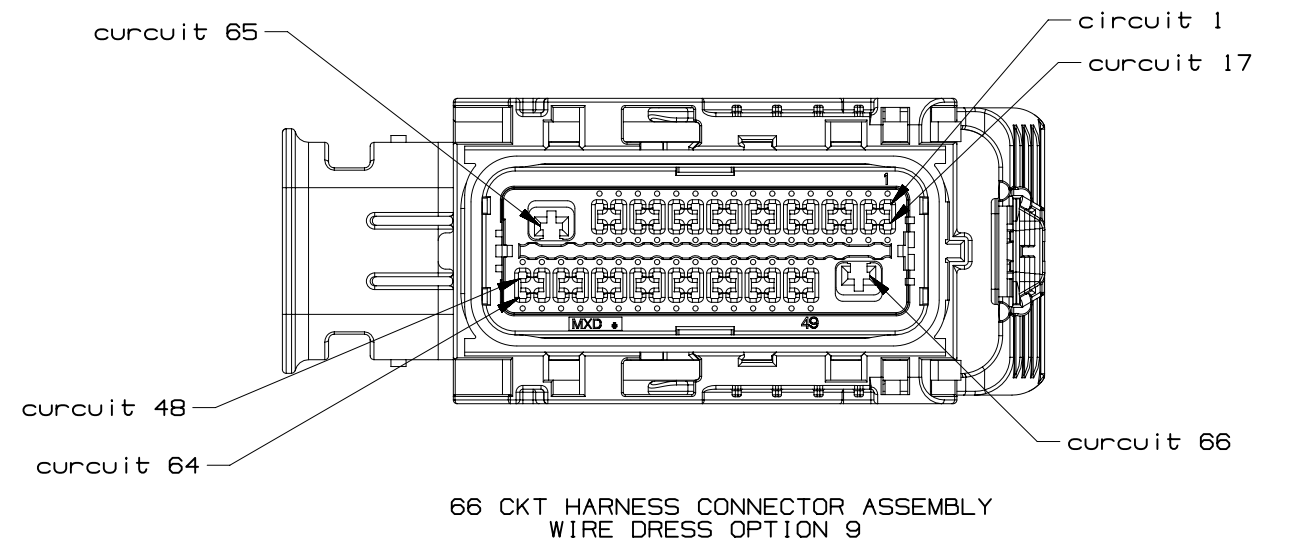
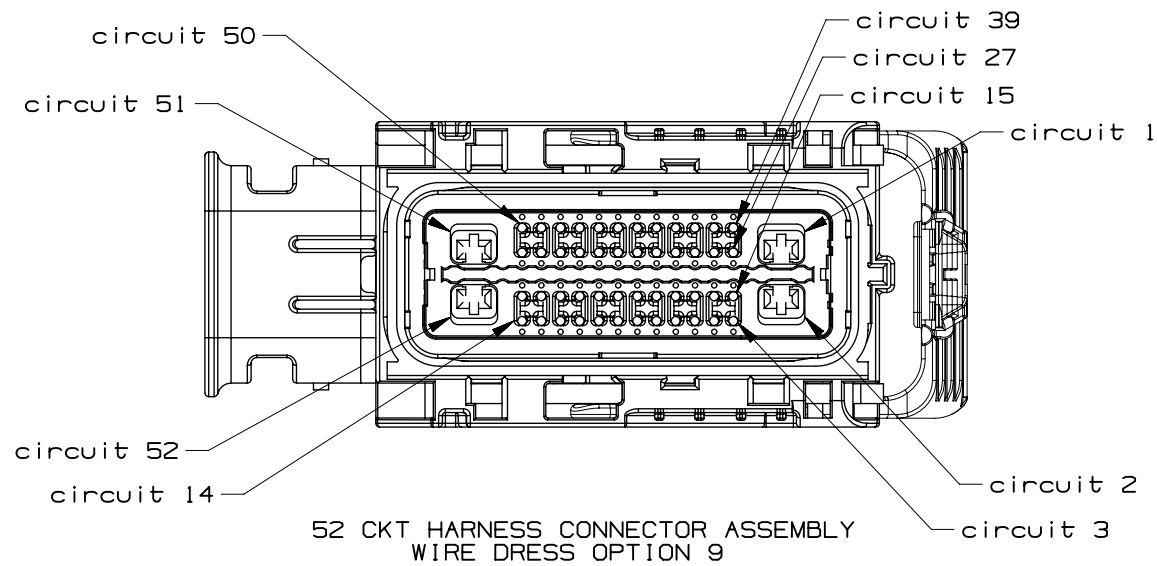
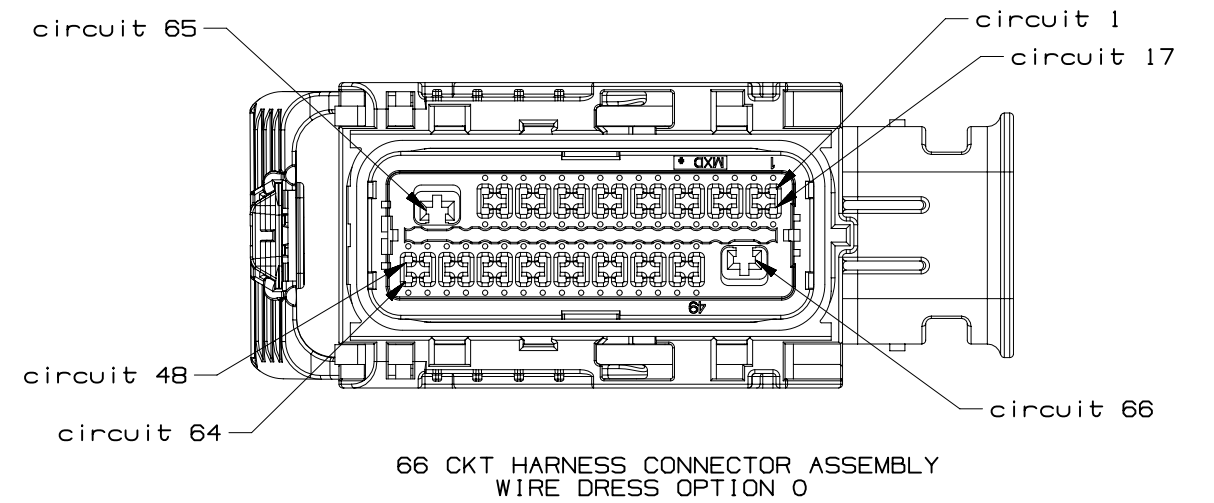
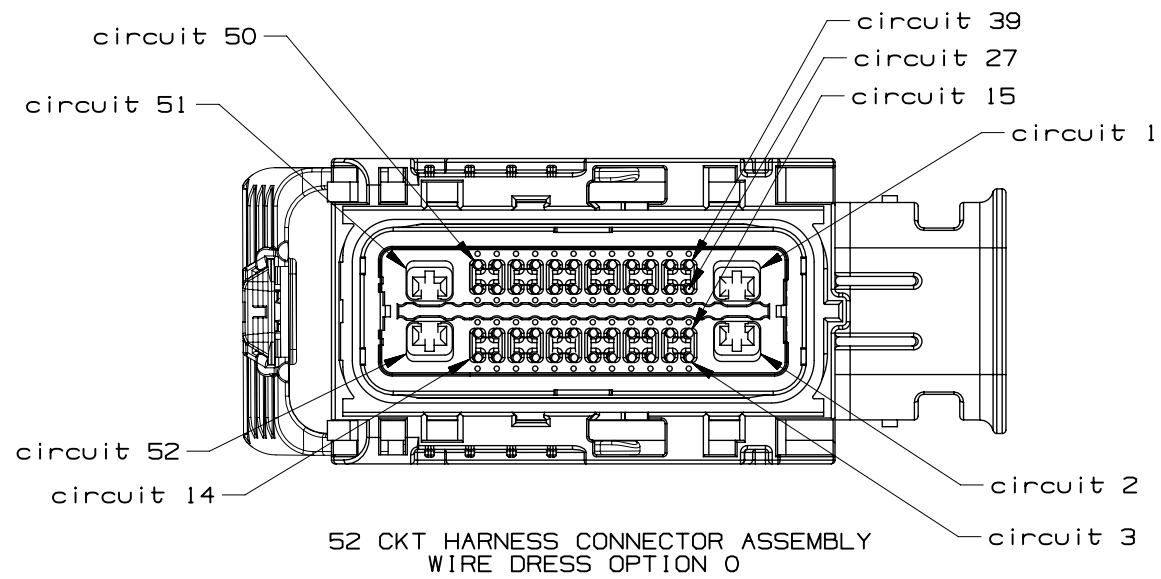
PAGE TITLE  
KEY ID REF - WIRE DRESS OPTION 9

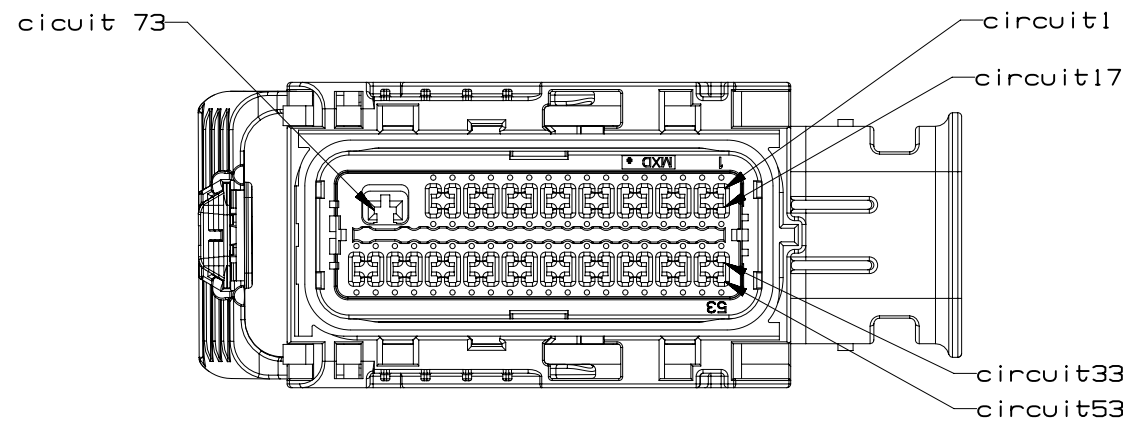
DRAWING NUMBER  
12672833

DWG STATUS		
ST	REV	PD1
R	001	

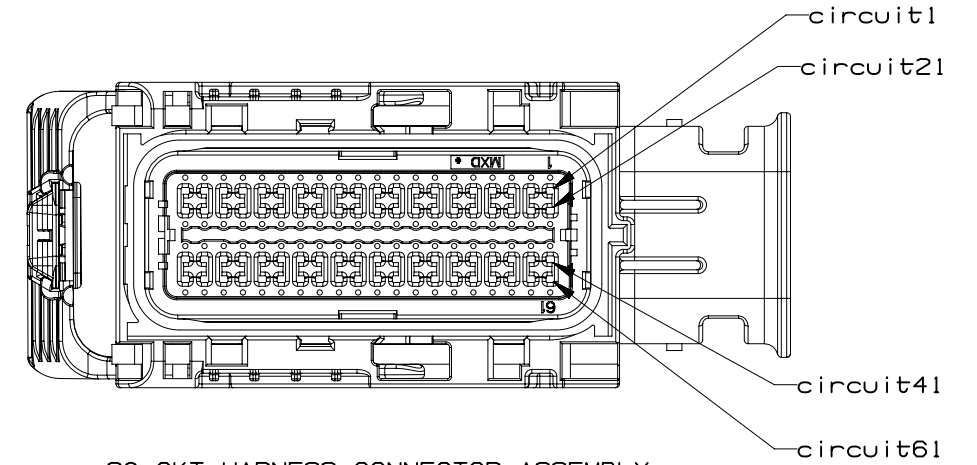
PAGE NUMBER  
12 OF 22





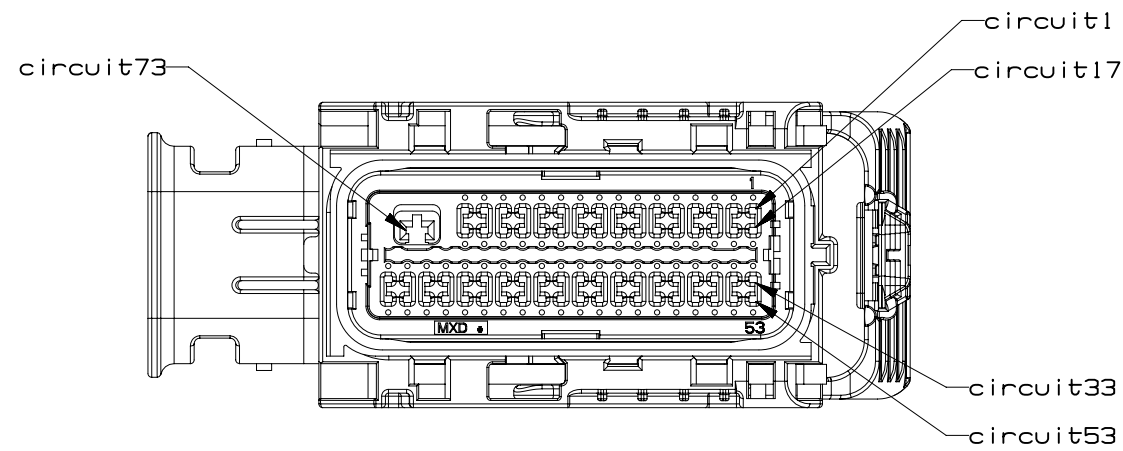


73 CKT HARNESS CONNECTOR ASSEMBLY  
WIRE DRESS OPTION 0

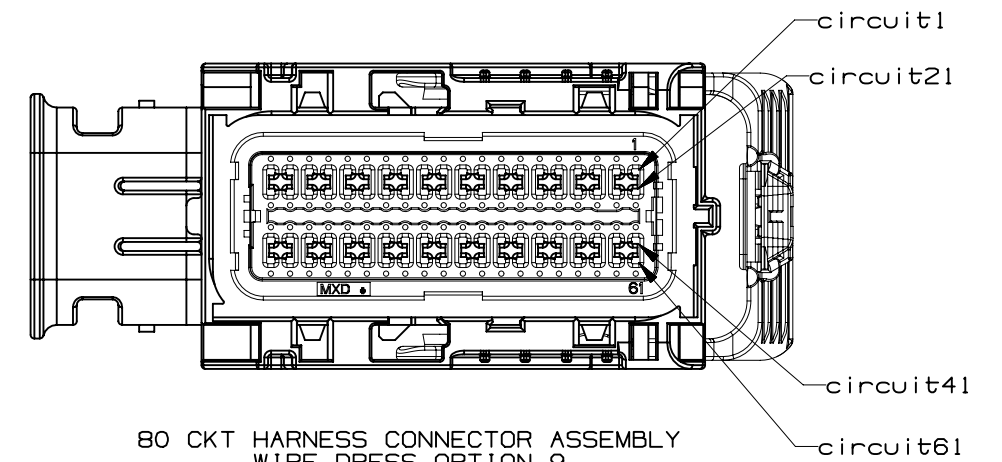


80 CKT HARNESS CONNECTOR ASSEMBLY  
WIRE DRESS OPTION 0

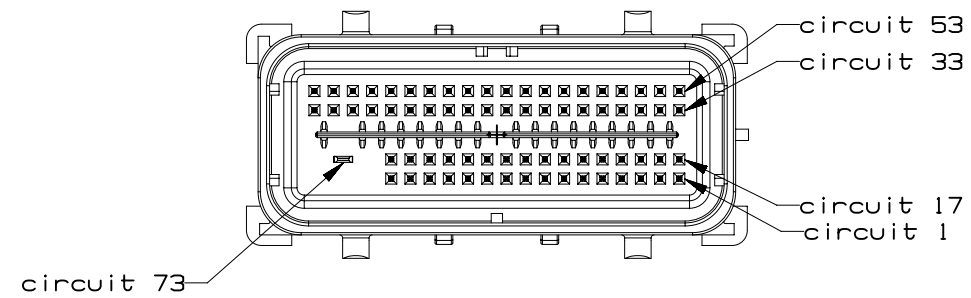
INTERFACE SIDE SHOWN ON ALL VIEWS



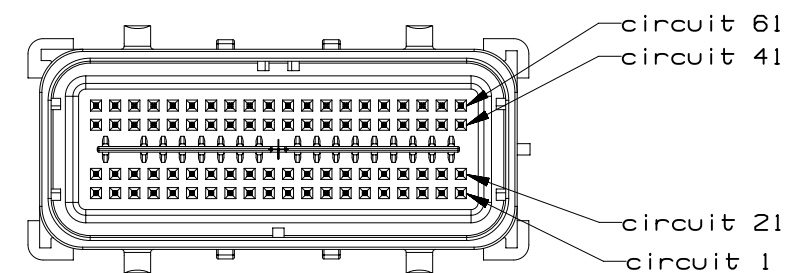
73 CKT HARNESS CONNECTOR ASSEMBLY  
WIRE DRESS OPTION 9



80 CKT HARNESS CONNECTOR ASSEMBLY  
WIRE DRESS OPTION 9

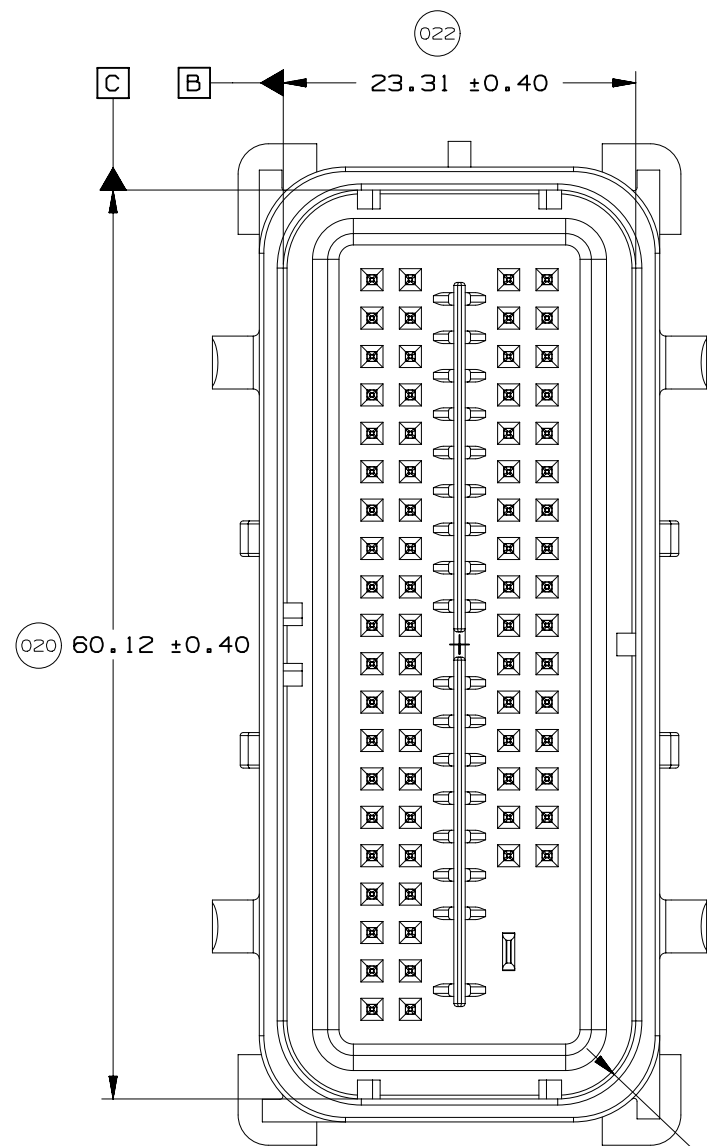
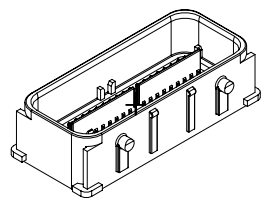


73 CKT COMPONENT CONNECTOR INTERFACE

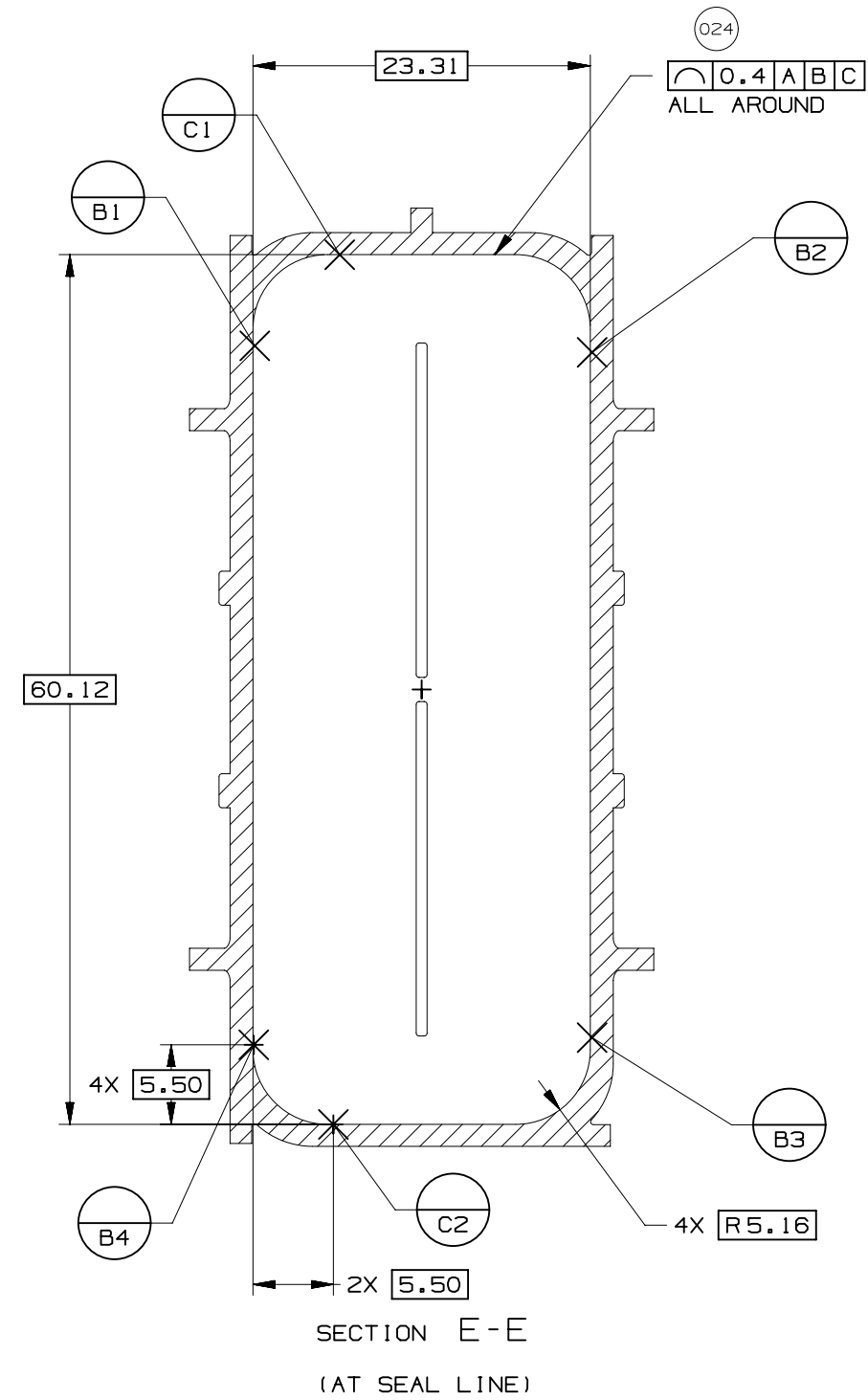
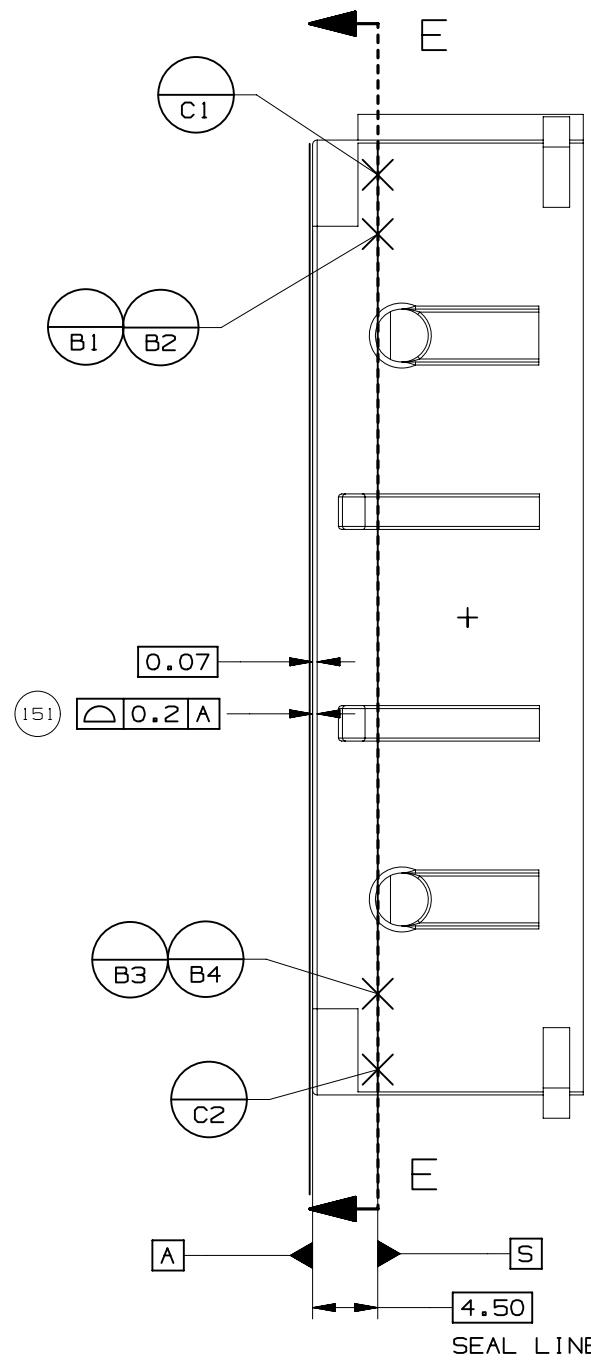


80 CKT COMPONENT CONNECTOR INTERFACE





023 4X R5.16 ± 0.30



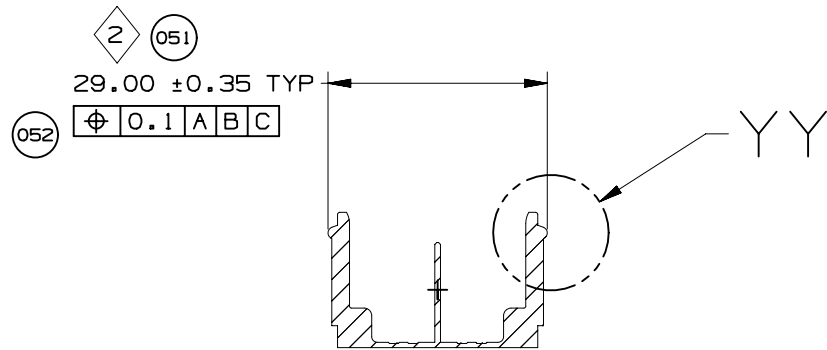
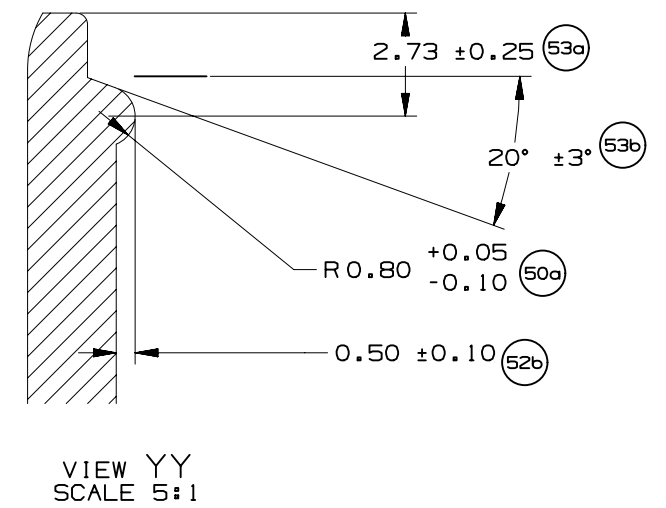
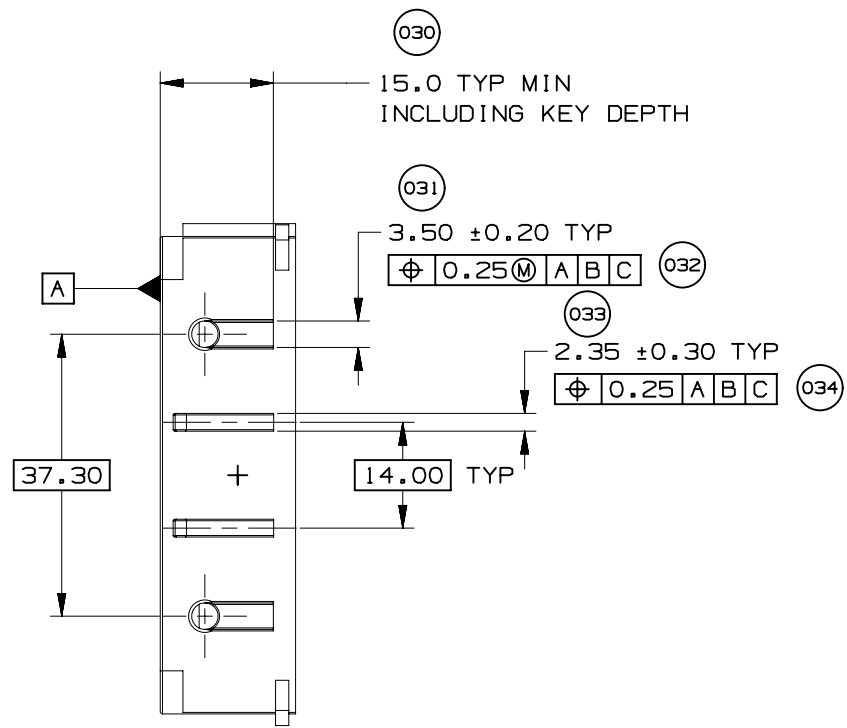
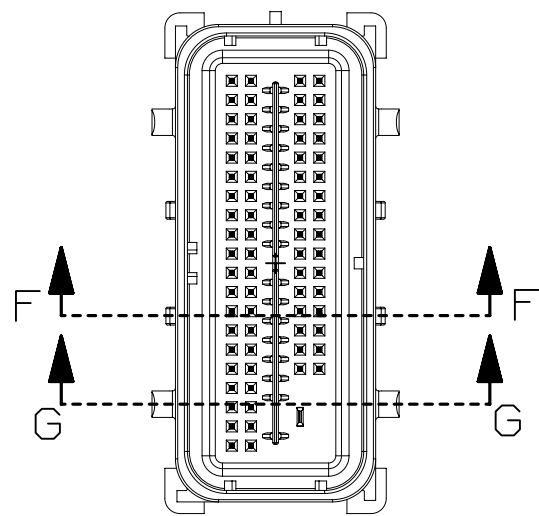
UNLESS SPECIFIED, TOLERANCE OF THE COMPONENT CONNECTOR INTERFACE TO BE  $\sqrt[0.13]{A B C}$



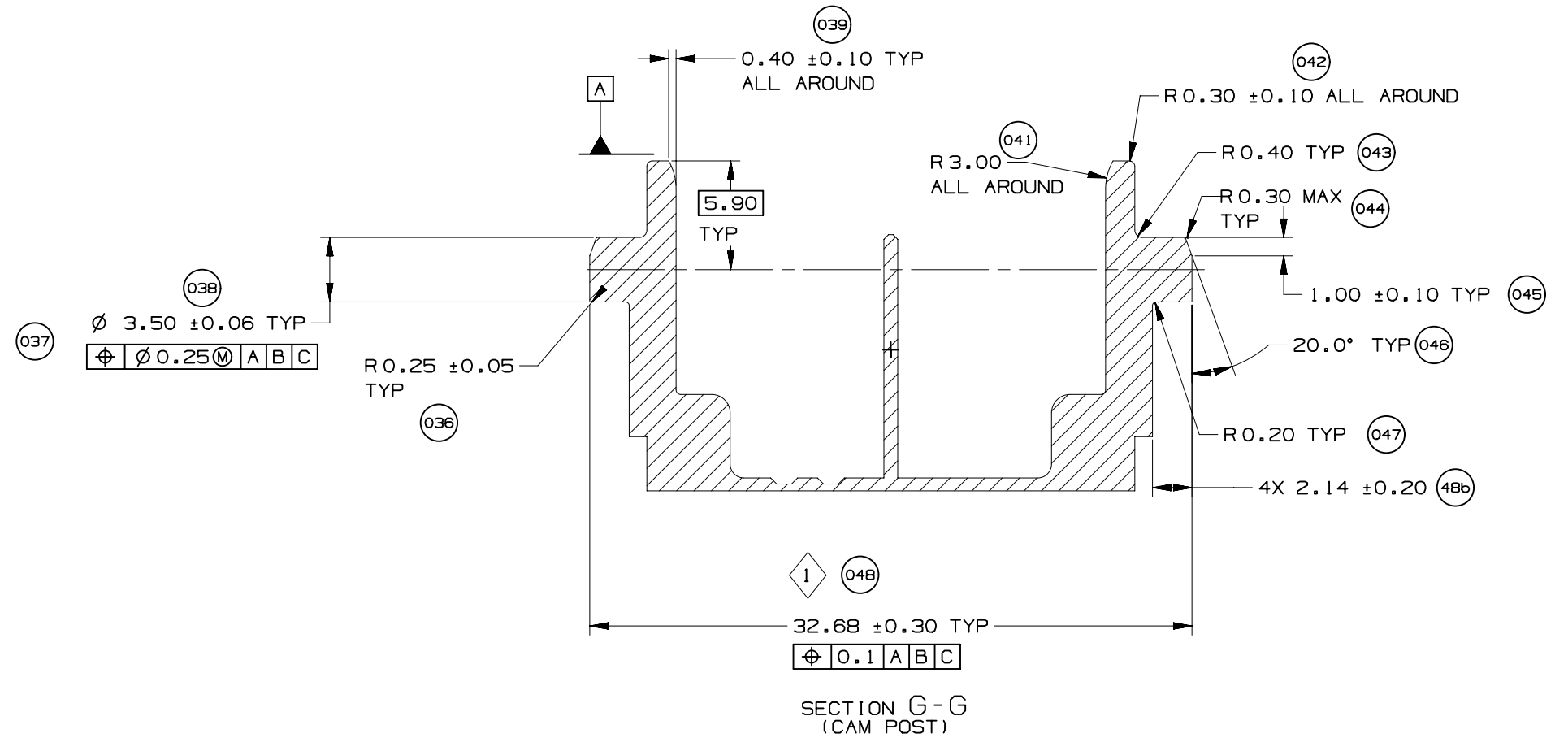
PAGE TITLE  
COMPONENT CONNECTOR INTERFACE

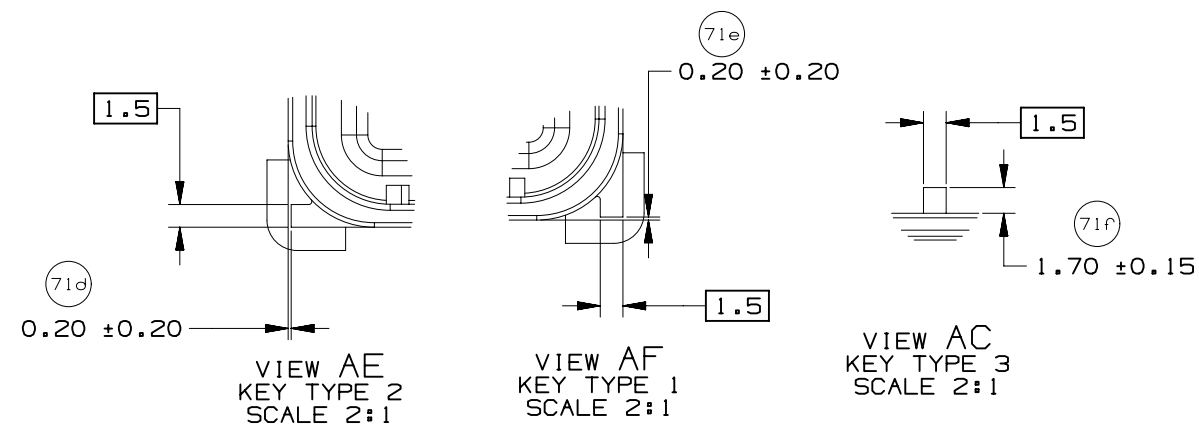
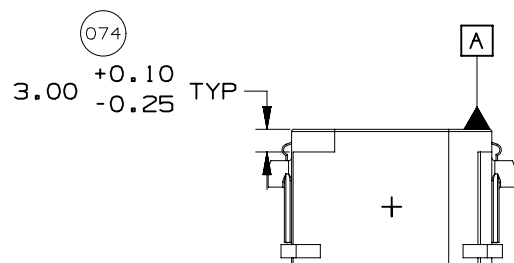
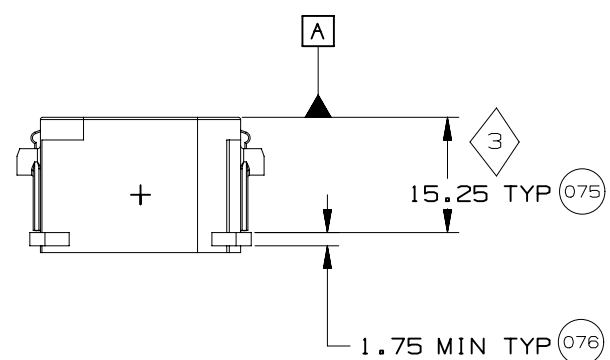
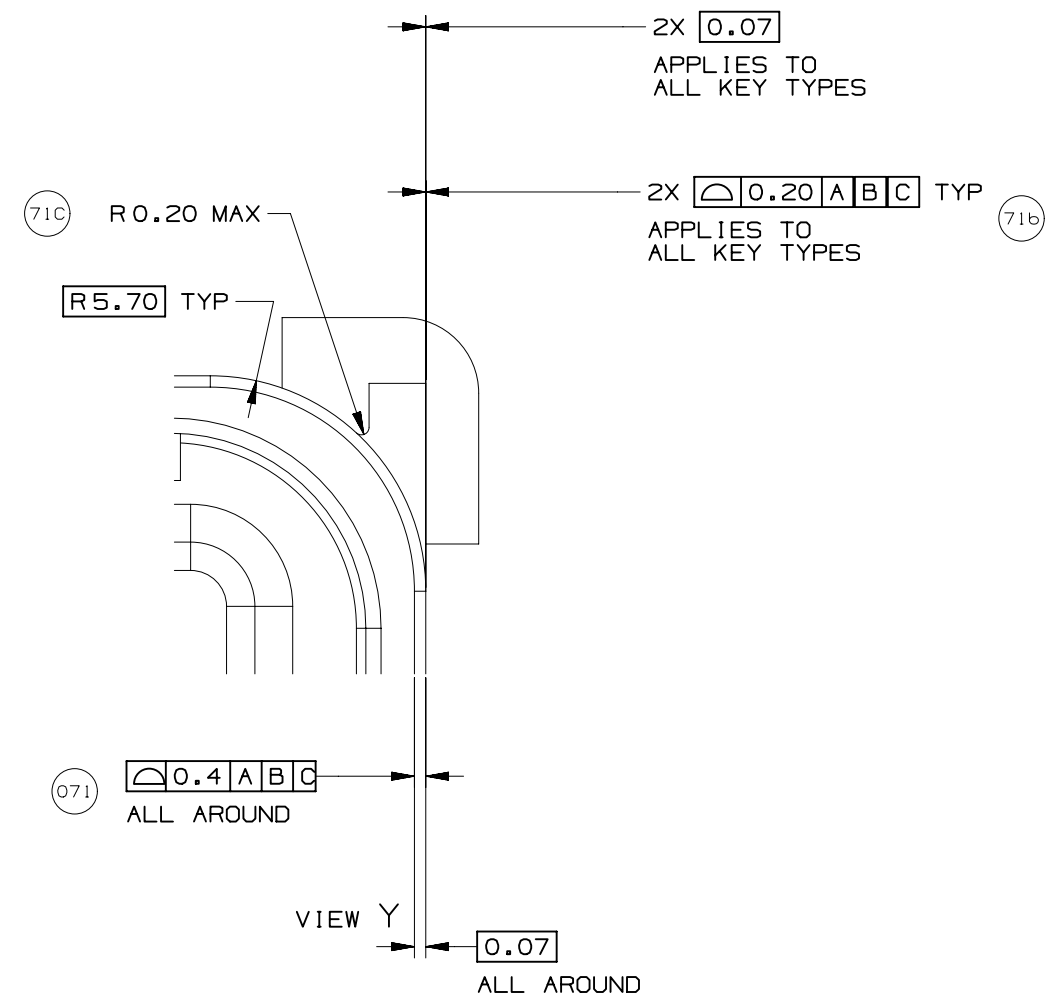
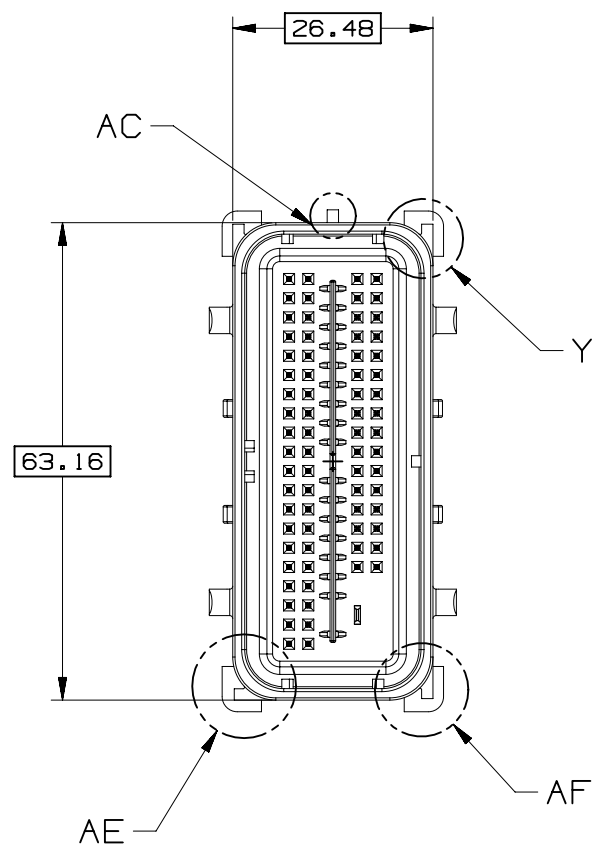
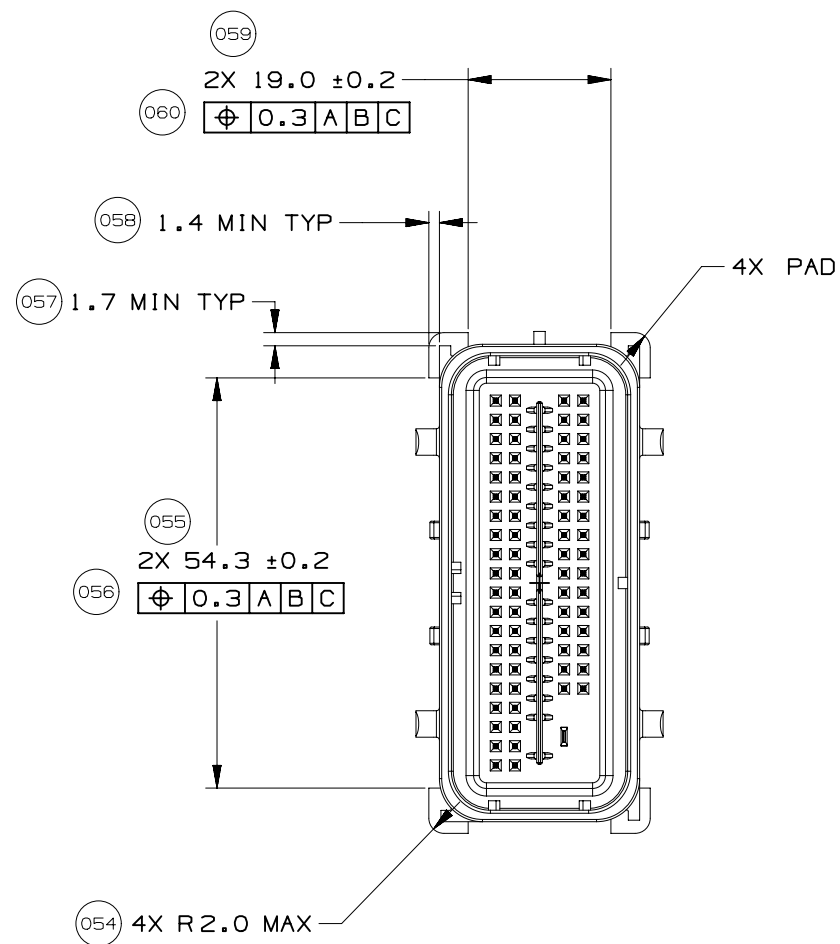
DRAWING NUMBER  
12672833

DWG STATUS			PAGE NUMBER
ST	REV	PD1	
R	001		15 OF 22



SECTION F-F  
(RELEASE FEATURE)

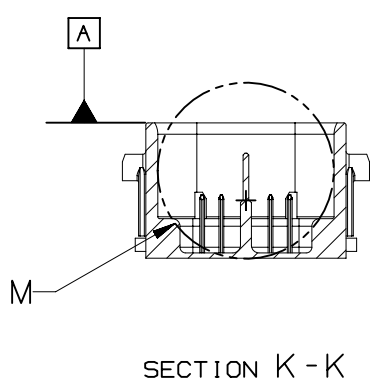
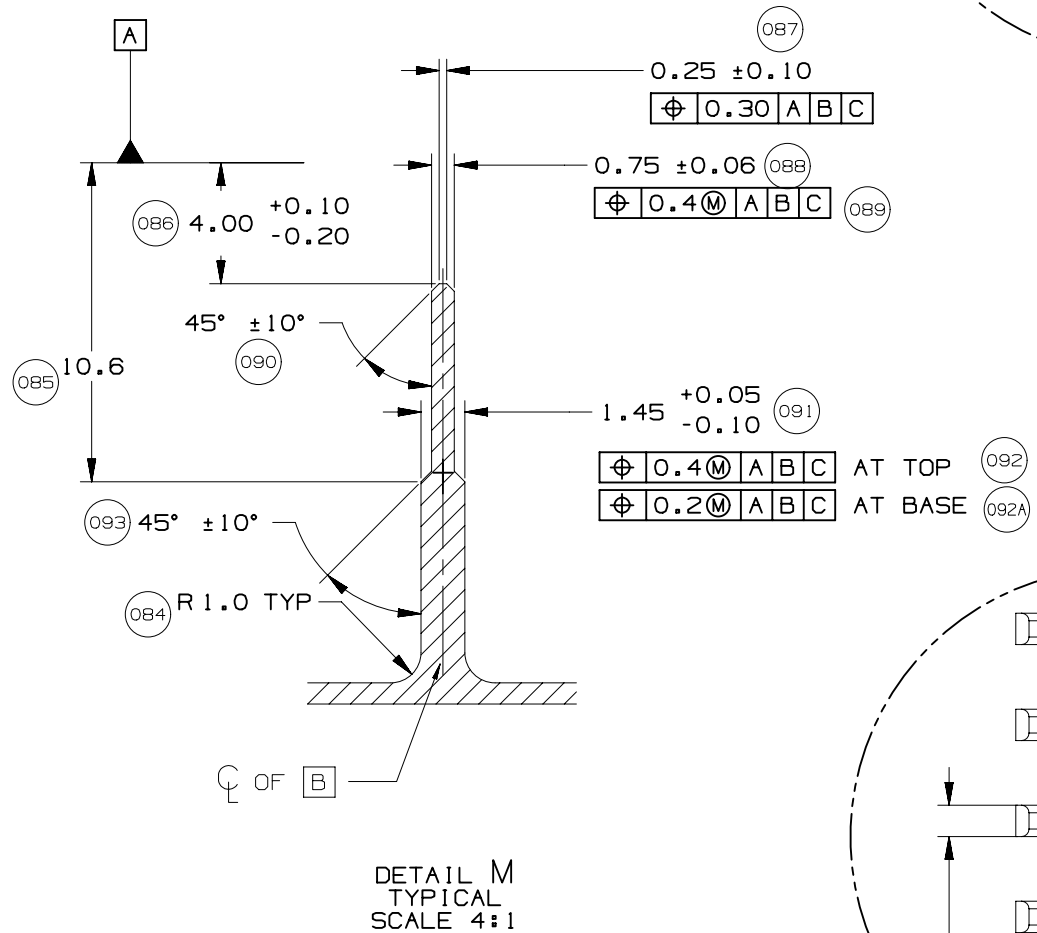
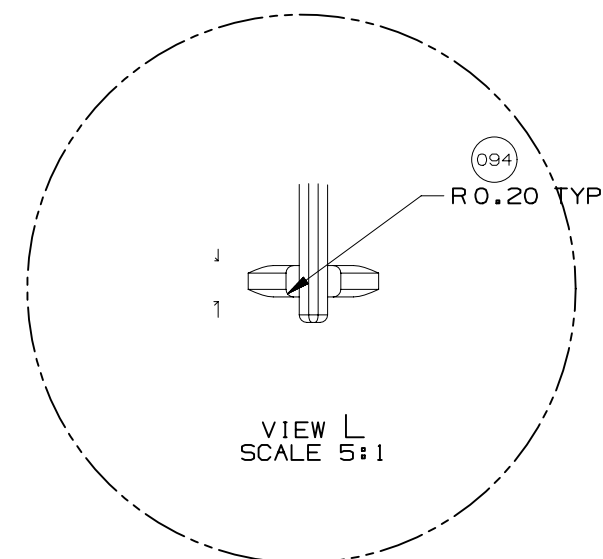
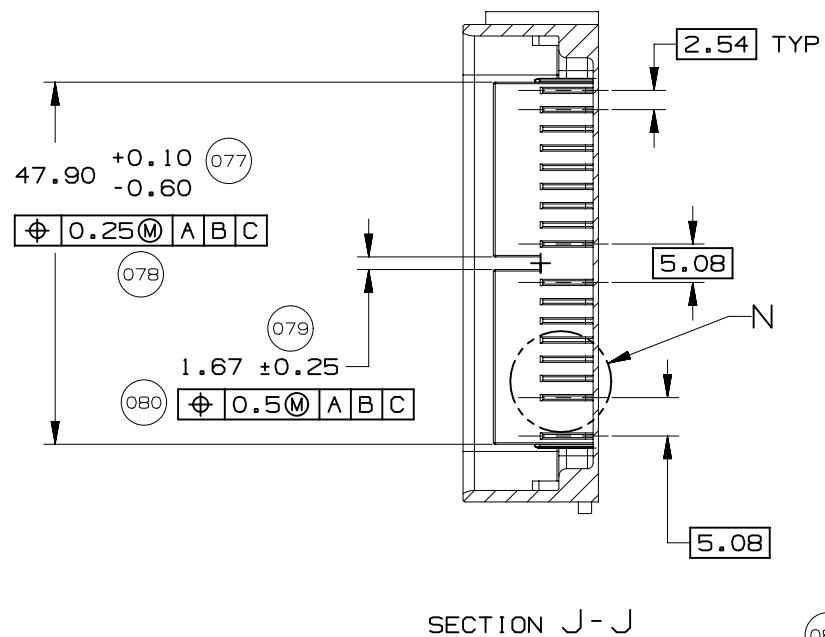
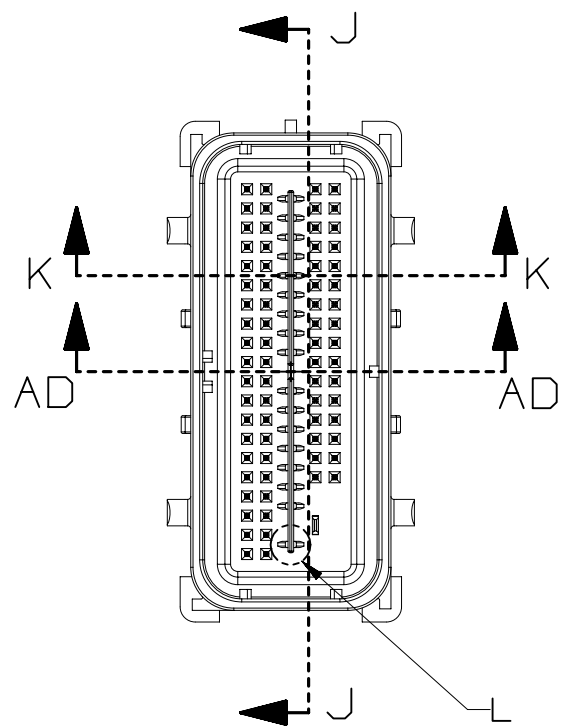




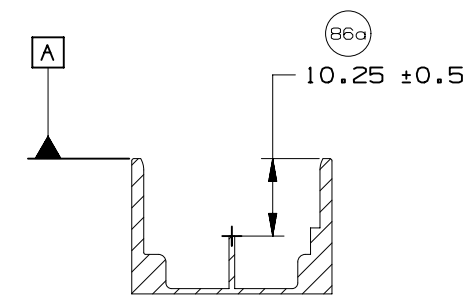
PAGE TITLE  
 COMPONENT CONNECTOR INTERFACE

DRAWING NUMBER  
 12672833

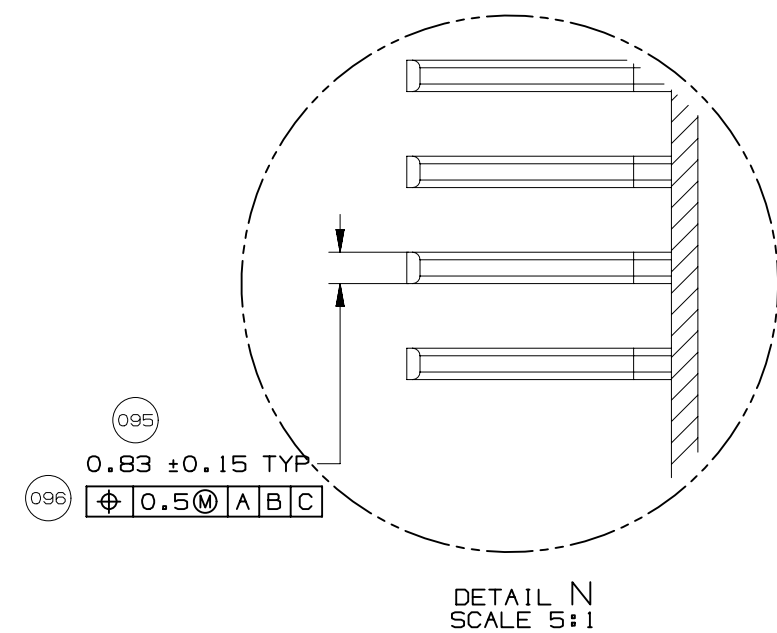
DWG STATUS			PAGE NUMBER
ST	REV	PD1	
R	001		17 OF 22



SECTION K-K



SECTION AD-AD



DETAIL N  
SCALE 5:1

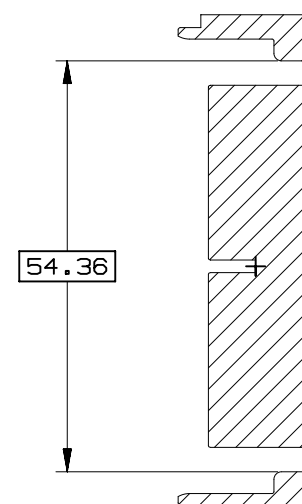
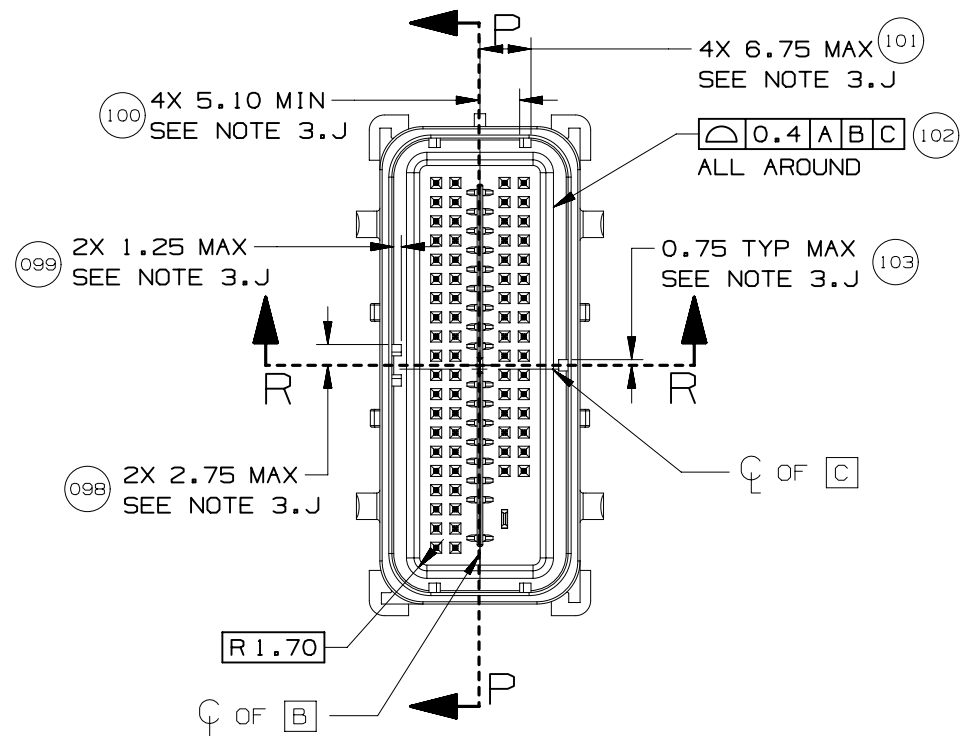


PAGE TITLE  
COMPONENT CONNECTOR INTERFACE

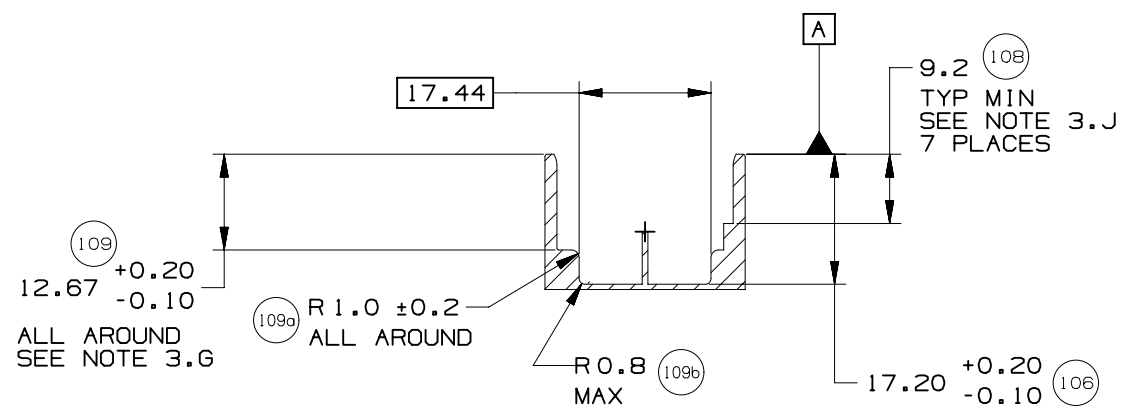
DRAWING NUMBER  
12672833

DWG STATUS		
ST	REV	PD1
R	001	

PAGE NUMBER  
18 OF 22



SECTION P-P



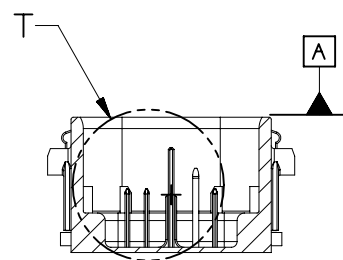
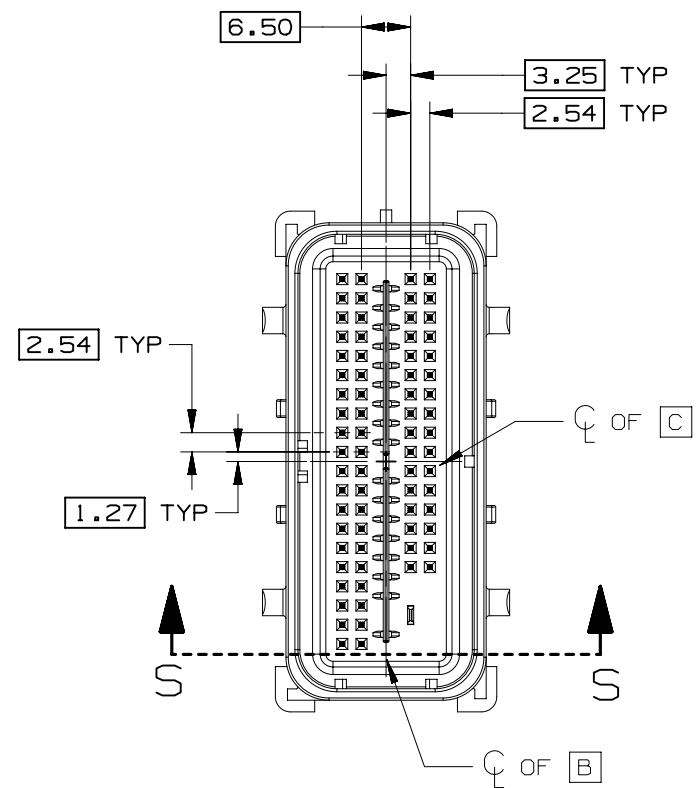
SECTION R-R



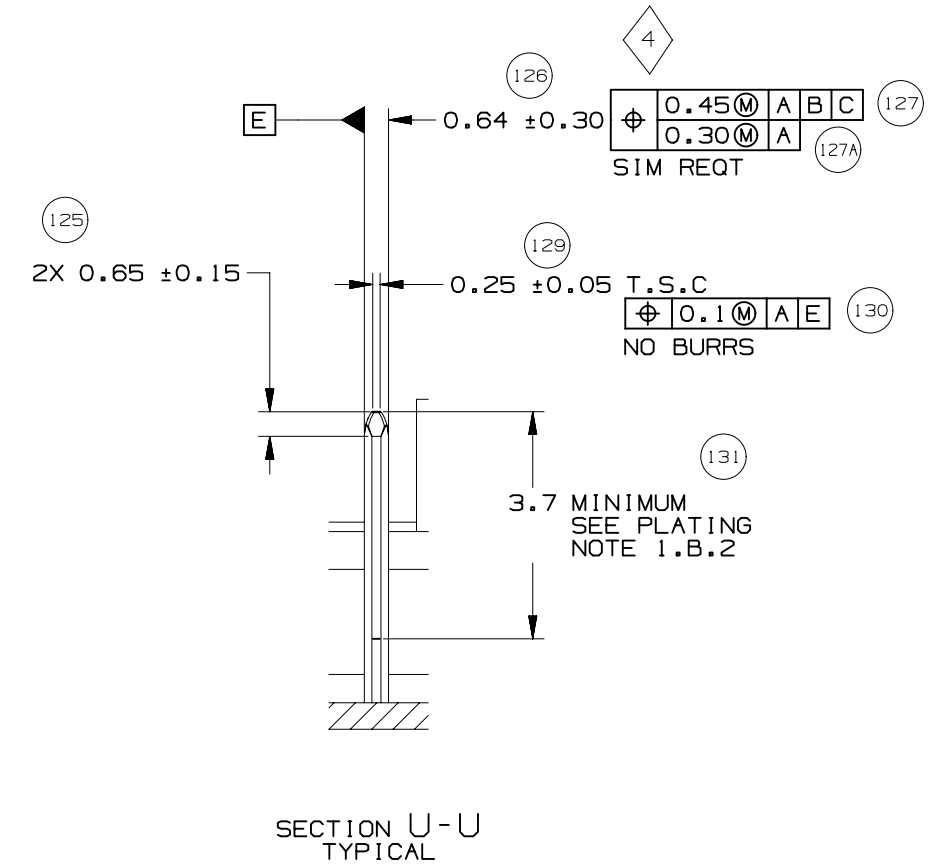
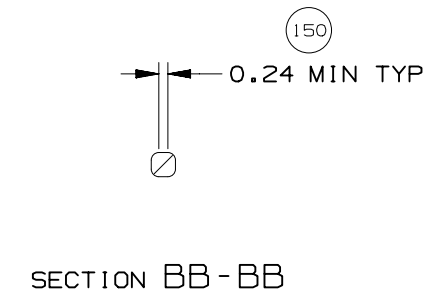
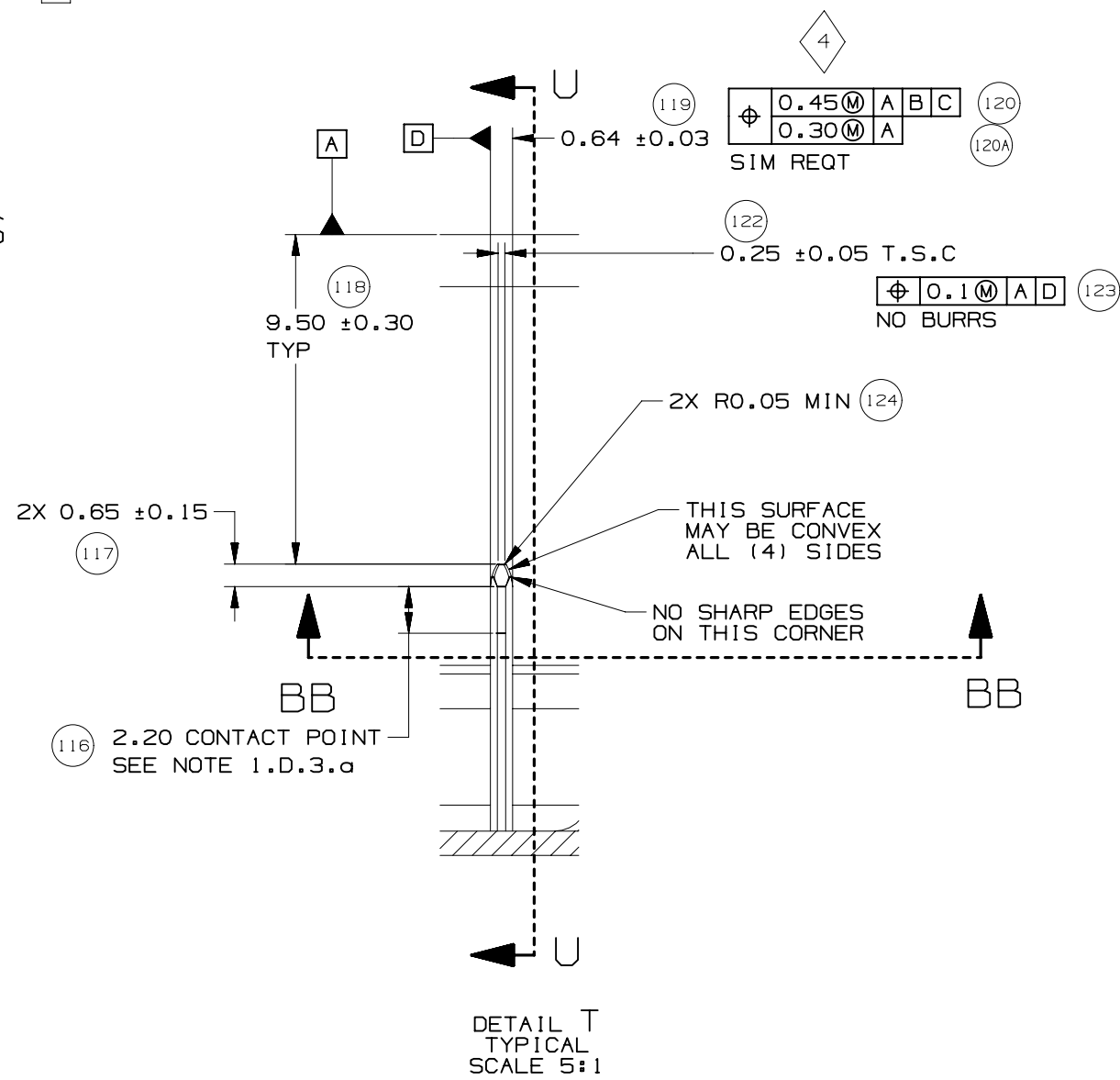
PAGE TITLE  
COMPONENT CONNECTOR INTERFACE

DRAWING NUMBER  
12672833

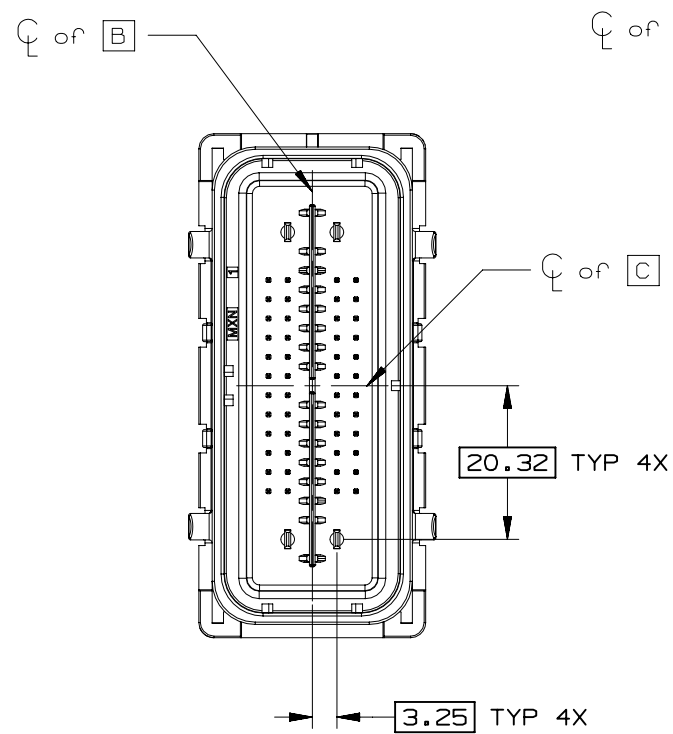
DWG STATUS			PAGE NUMBER	
ST	REV	PD1	19	OF 22
R	001			



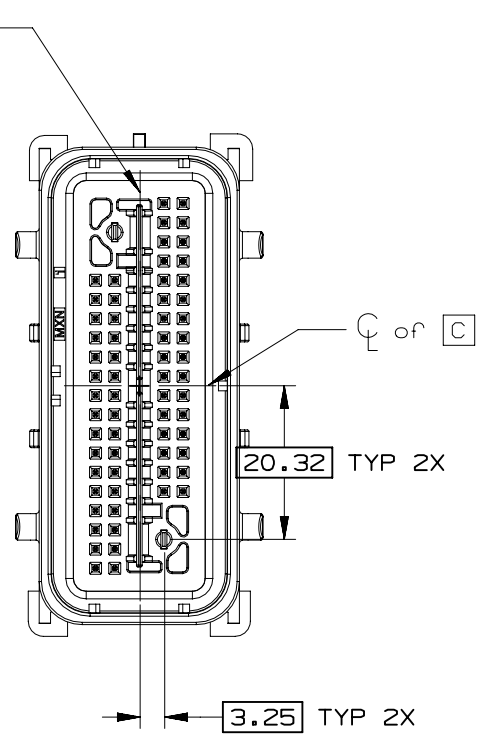
SECTION S-S



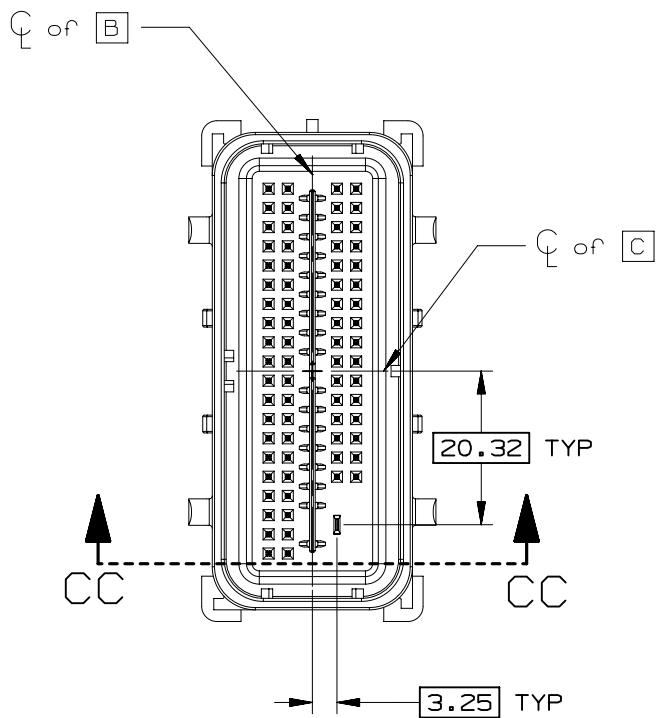




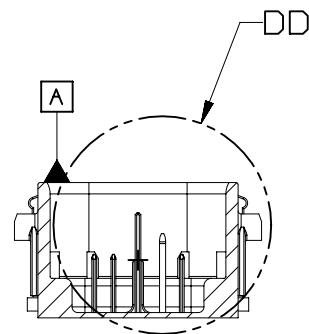
52 CKT COMPONENT  
CONNECTOR INTERFACE



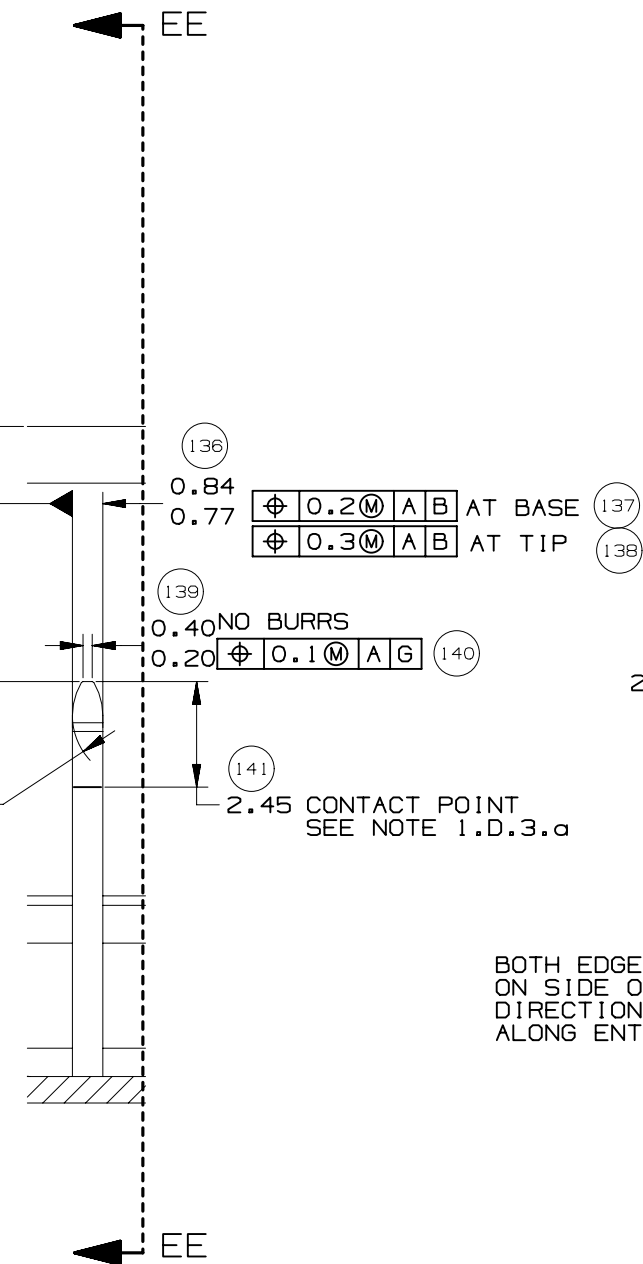
66 CKT COMPONENT  
CONNECTOR INTERFACE



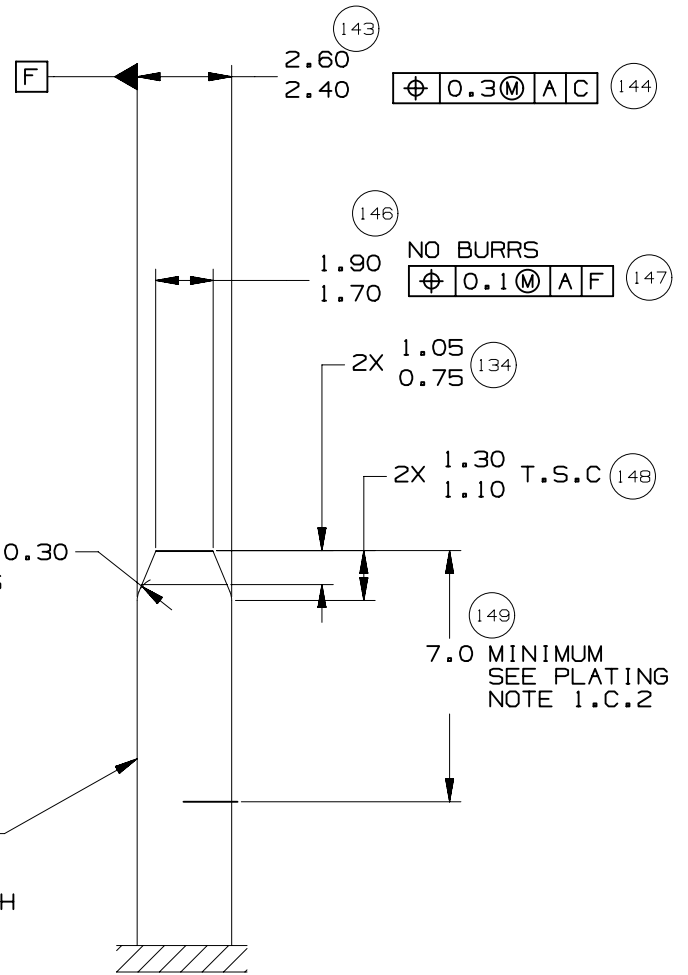
73 CKT COMPONENT  
CONNECTOR INTERFACE



SECTION CC-CC



DETAIL DD  
TYPICAL  
SCALE 5:1

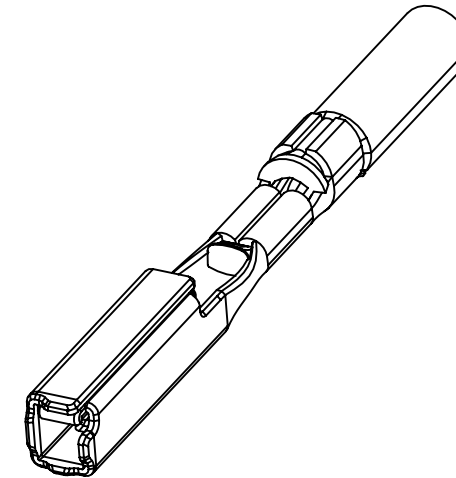
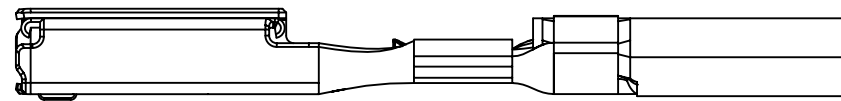
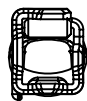


SECTION EE-EE  
TYPICAL



MOLEX MX64 RECEPTACLE TERMINAL INFORMATION

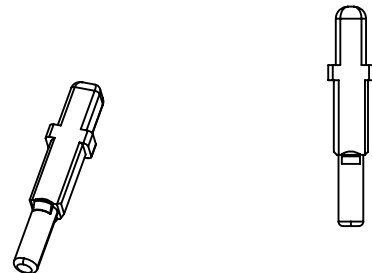
ITEM	MOLEX P/N	GM P/N	WIRE SIZE MM2	TYPE	PLATING	REEL WIND DIRECTION	COMMENTS
1	34736-0025		0.35	ISO	SILVER	LEFT	
2	34736-0026	12672850	0.35	ISO	SILVER	RIGHT	
3	34736-0027		0.5 / 0.75	ISO	SILVER	LEFT	
4	34736-0028	12672851	0.5 / 0.75	ISO	SILVER	RIGHT	



CAVITY PLUGS

ITEM	MFG	MFG P/N	GM P/N RD	SIZE	COLOR	MFG DRAWING	PROD SPEC	APP SPEC	COMMENTS
1	MOLEX	34586-0001	12674820	0.64	NATURAL	SD-34586-001	PS-34566-0000	AS-34566-001	
2	YAZAKI	7158-3114-90	12674821	2.8	BLUE	7158-3114-90	YPES-11-04-062	YPES-15-299	

ITEM 1



ITEM 2

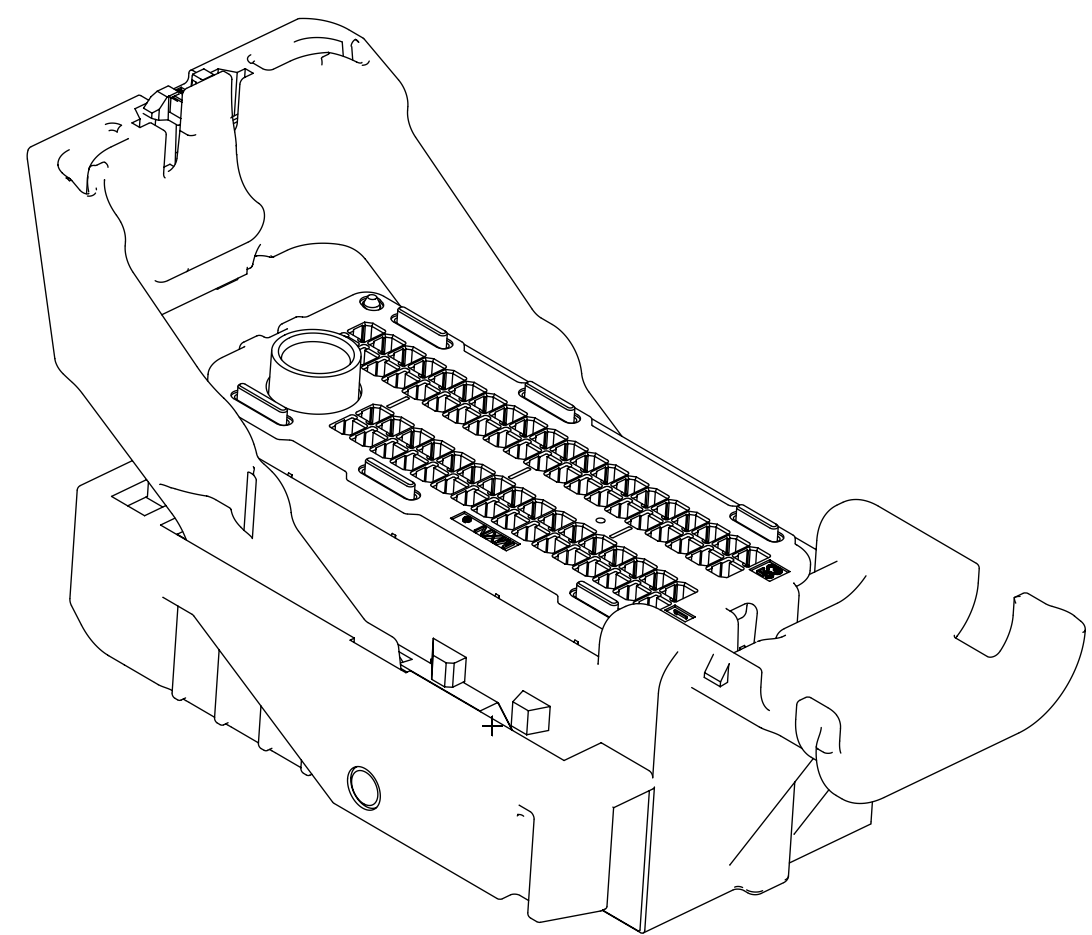


PAGE TITLE  
ADDITIONAL COMPONENTS REQUIRED

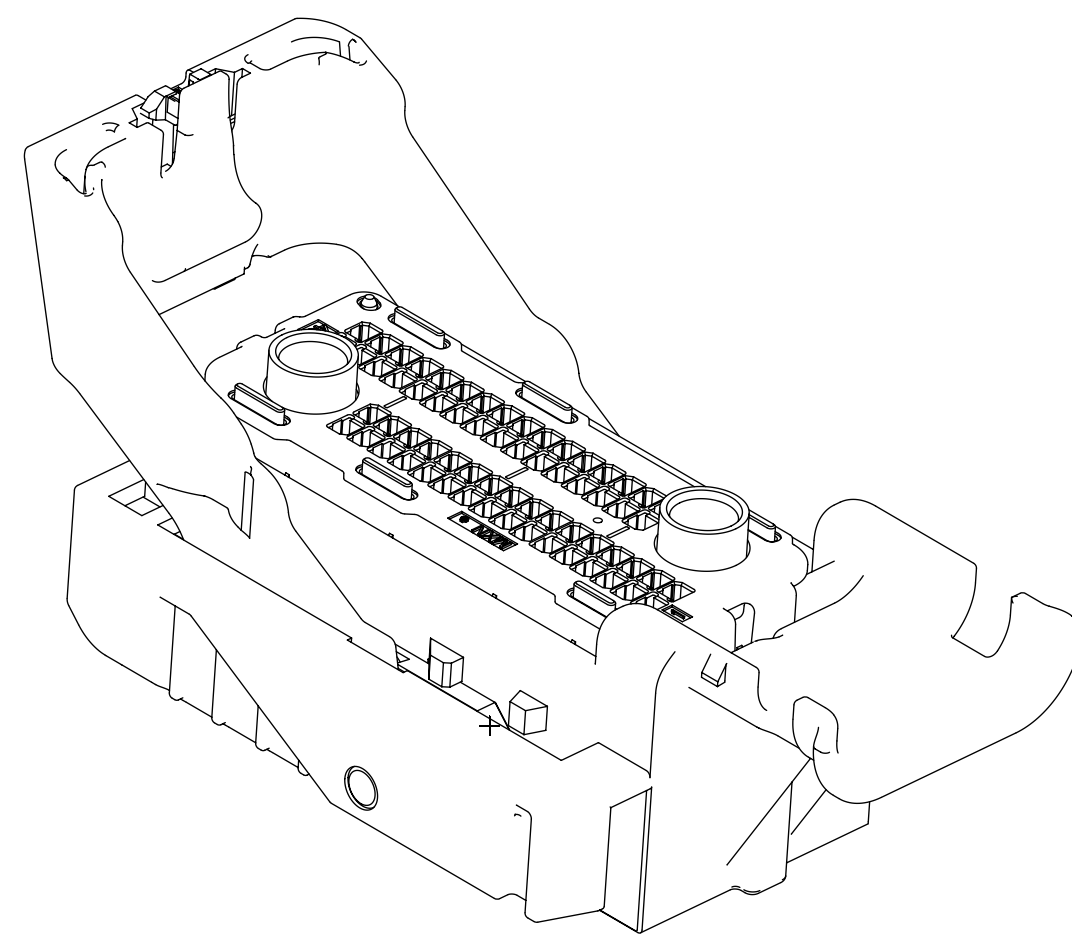
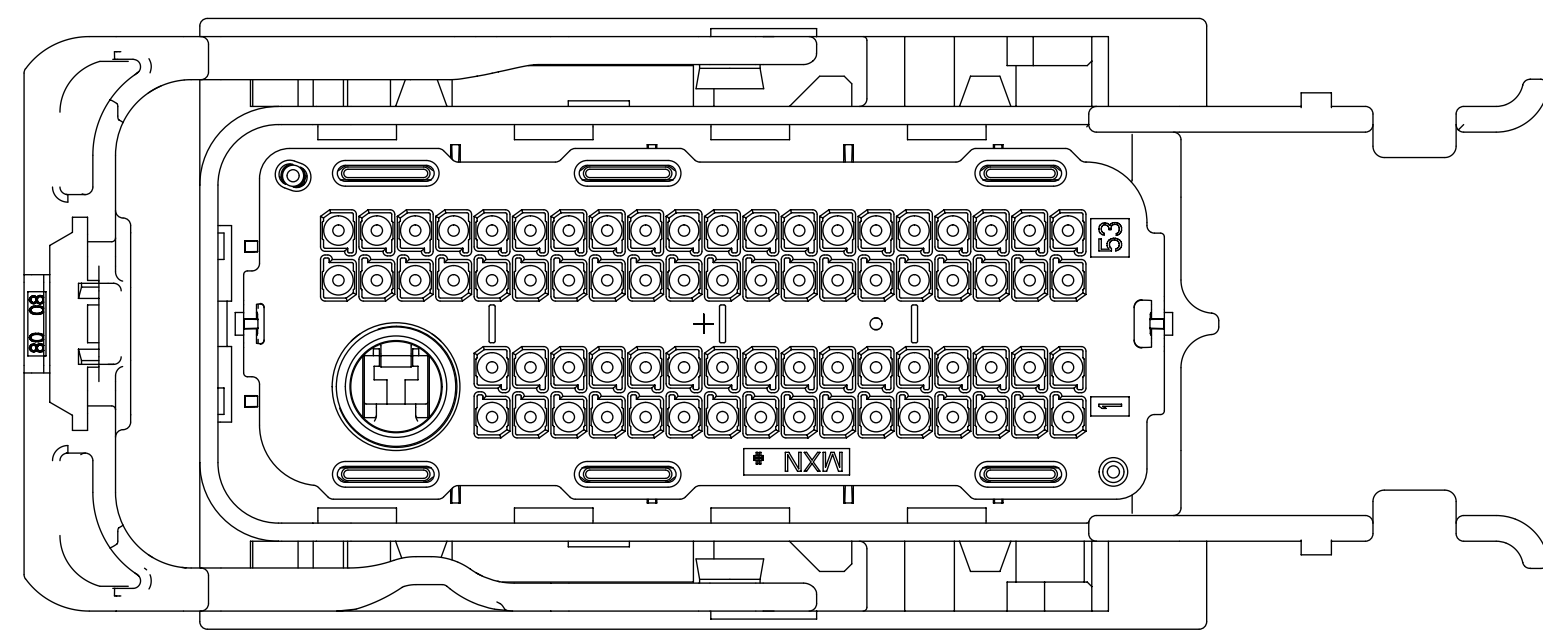
DRAWING NUMBER  
12672833

DWG STATUS		
ST	REV	PD1
R	001	

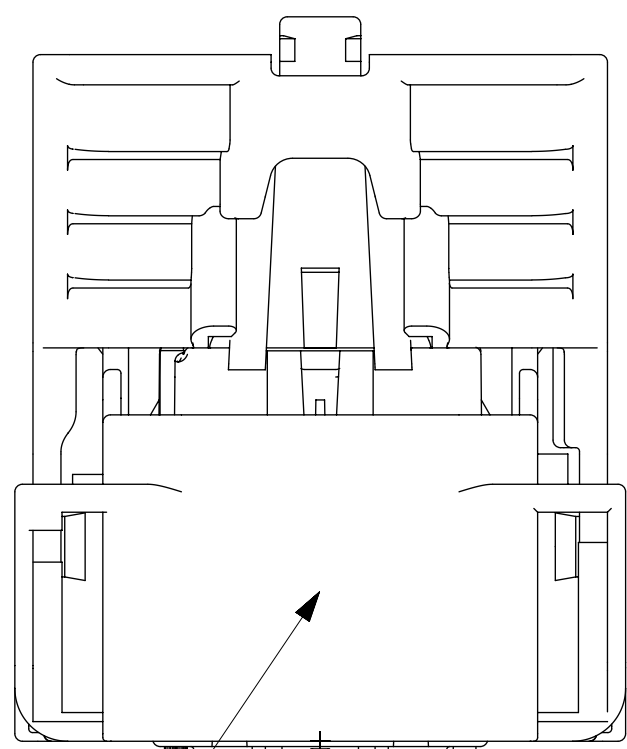
PAGE NUMBER  
22 OF 22



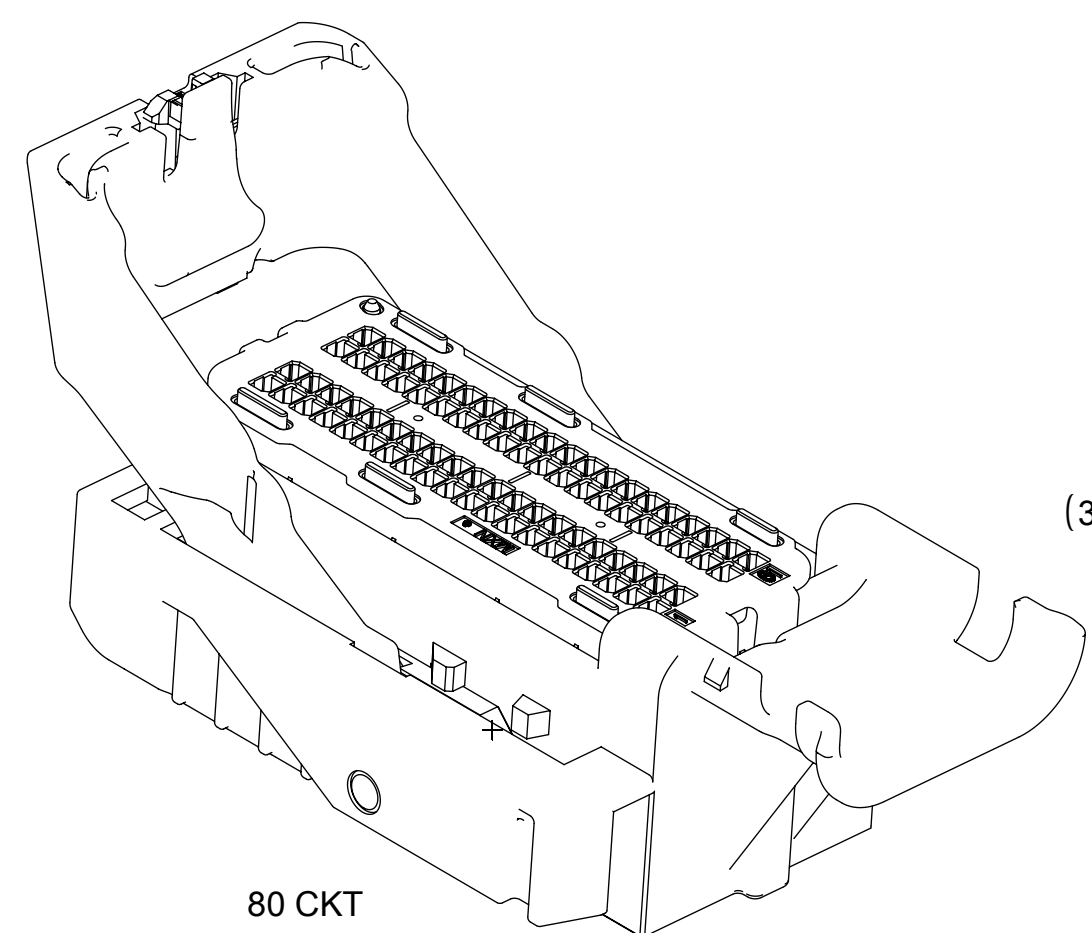
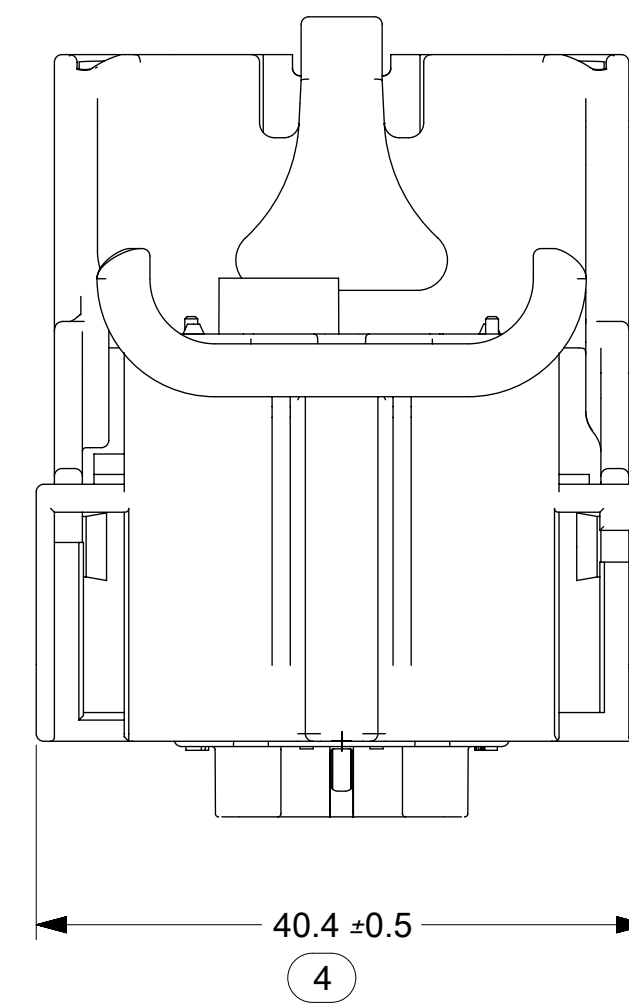
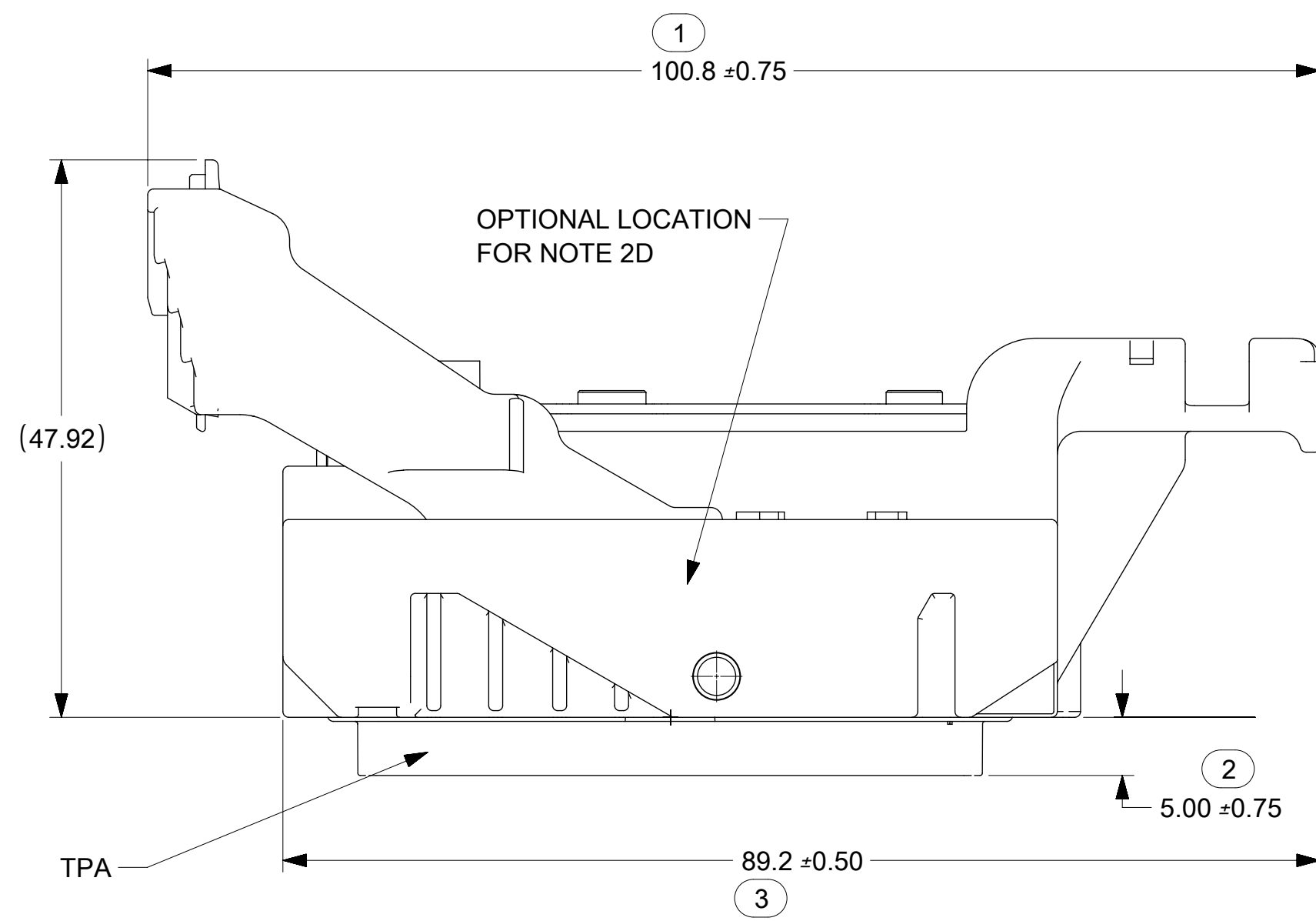
73 CKT  
SCALE 3:2



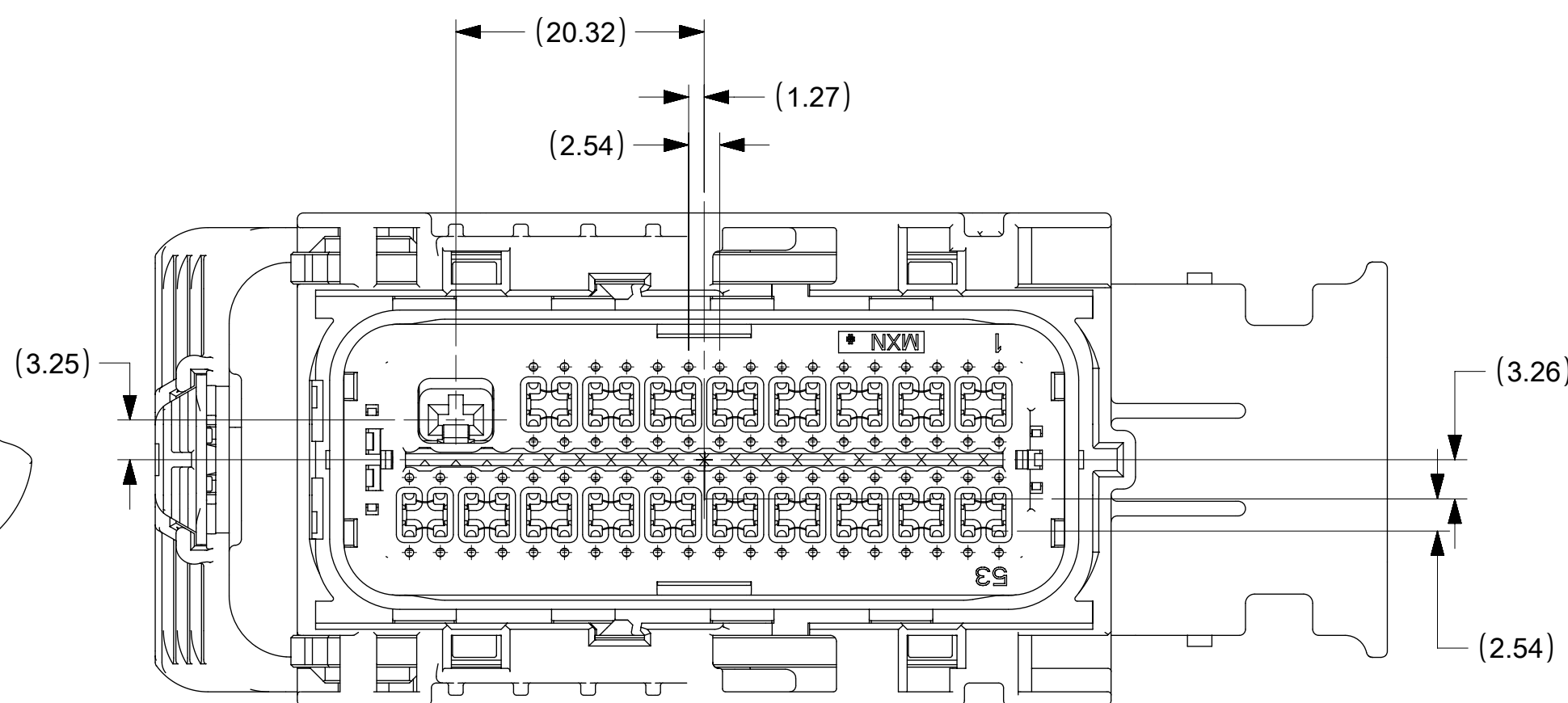
66 CKT  
SCALE 3:2



RECOMMENDED LOCATION  
FOR NOTE 2D



80 CKT  
SCALE 3:2



NOTES: UNLESS OTHERWISE SPECIFIED

1. MATERIAL:

- A. RESIN: SEE COMPONENT DRAWINGS
- B. COLOR: SEE TABLE

2. DESIGN - GENERAL:

- A. THIS IS A 100% CAD GENERATED PART. THE CAD MATHEMATICAL DATA IS THE MASTER FOR THIS PART. FOR DIMENSIONAL OR ANY INFORMATION NOT SHOWN ON THIS DRAWING, ANALYZE THE CAD MODEL.
- B. TOLERANCES:
  - a. LINEAR X.X ± 0.30
  - X.XX ± 0.10
  - X.XXX ± 0.10
  - b. ANGULAR X° ± 3.0°
- C. CORNERS SHOWN AS SHARP TO BE R 0.2 MAX.
- D. FOLLOWING PRODUCTION CODES TO BE PERMANENTLY MARKED & HUMAN READABLE TO A LETTER HEIGHT < 3mm.
  - LINE #1: MATERIAL #:XXXX-XXXX
  - LINE #2: DATE CODE: JJYY (JULIAN DAY, LAST DIGIT OF YEAR)
  - LINE #3: INSPECTION MACHINE CODE + SERIAL #: X\_XXXX
- E-1. PARTS MUST BE FREE OF DISCOLORATION, SALT RESIDUE AND OTHER IMPERFECTIONS THAT AFFECT FIT OR FUNCTION.
- E-2. SCRATCHES OR DENTS NOT TO EXCEED 0.13mm IN DEPTH.
- F. CHANGES IN DESIGN FROM PART PREVIOUSLY APPROVED REQUIRES PRIOR ENGINEERING APPROVAL. THIS INCLUDES BUT IS NOT LIMITED TO DRAFT, MATERIAL OR PROCESSING.
- G. SHALL CONFORM TO THE FOLLOWING PACKAGING SPECIFICATION:PK-31300-019

3. DESIGN - MANUFACTURING:

- A. DRAFT TO BE WITHIN TOLERANCE.
- B. ALLOWABLE FLASH 0.2 MAX HIGH X 0.13 MAX THICK.
- C. ALLOWABLE PARTING LINE MISMATCH 0.2 MAX.
- D. EJECTOR PINS MARK TO BE FLUSH TO 0.25 MAX DEPRESSED.
- E. ALLOWABLE GATE VESTIGE TO BE FLUSH TO 0.25 MAX PROTRUSION.

4. SYSTEM REQUIREMENTS:

WHEN TESTED TO SAE/USCAR-2 REV: 3, APRIL 2001, AND GMW #3191, AUGUST 22, 2000 (DRAFT).

- A. TPA (WITHOUT TERMINALS)
  - a. INSERTION FORCE FROM PRE-SET TO LOCK: ≥20N
  - b. REMOVAL FORCE FROM PRE-SET: ≥20N
- B. CPA
  - a. INSERTION FORCE FROM PRE-SET TO LOCK WITH CONNECTOR UN-MATED: ≥60N
  - b. REMOVAL FORCE FROM PRE-SET: ≥30N
- C. GROMMET CAP
  - a. REMOVAL FORCE FROM HOUSING WITH ENGAGED LATCHES: ≥110N
- D. MATE ASSIST LEVER
  - a. INADVERTENT ACTUATION FORCE DURING SHIPPING, HANDLING OR PRE-ASSEMBLY: ≥190N

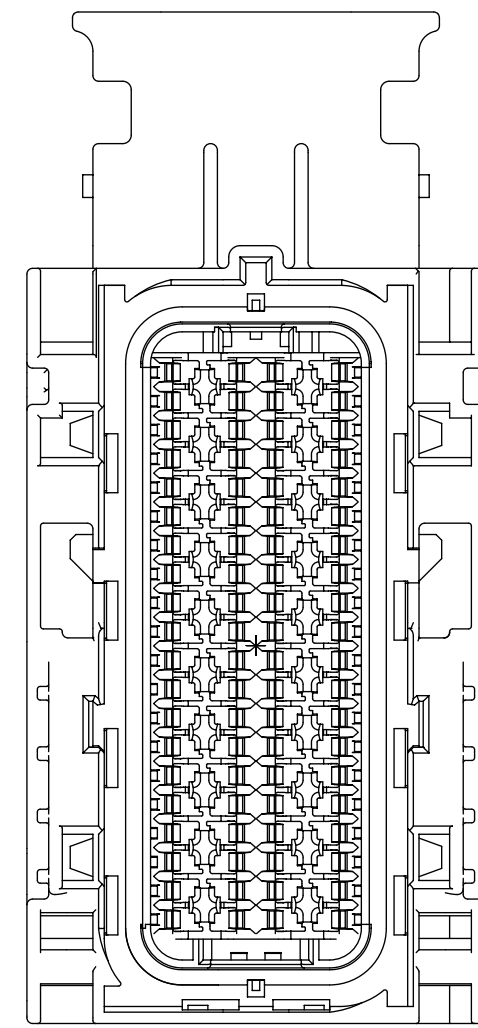
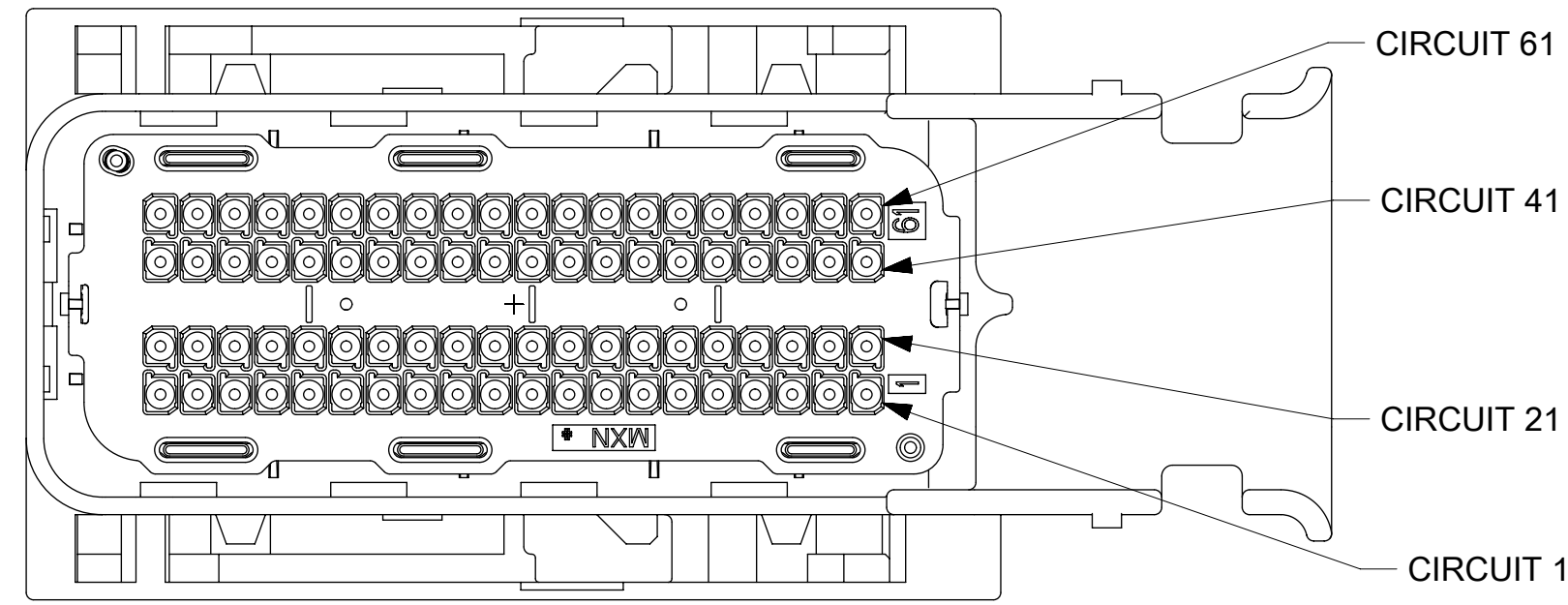
G50	ADD NEW PIN CONFIGURATION 34566-8543 34566-8553
G49	ADD NEW PIN CONFIGURATION 34566-8443 34566-8453 34566-8463 34566-8473 34566-8483 34566-8493 34566-8513 34566-8523 34566-8533
G48	ADD NEW PIN CONFIGURATION 34566-8393 34566-8413 34566-8423 34566-8433
G47	SHEETS SEQUENCE ARE CORRECTED
G46	ADD NEW PIN CONFIGURATION 34566-8223 34566-8233 34566-8243 34566-8253 34566-8263 34566-8273 34566-8283 34566-8293 34566-8313 34566-8323 34566-8333 34566-8343 34566-8353 34566-8363 34566-8373 34566-8383
G45	NX RE-MASTERING
G44	ADD NEW PIN CONFIGURATION 34566-8173
G43	ADD NEW PIN CONFIGURATION 34566-8163 34566-2493 SAME AS P/N 34566-3863
G42	ADD PART NUMBERS 34566-8153
G42	ADD PART NUMBERS 34566-8153
G41	CHANGED THE GM PART NUMBER IN SHEET 5
G40	ADD PART NUMBERS 34566-8123 34566-8133 34566-8143
REV	DESCRIPTION

QUALITY SYMBOLS	THIS DRAWING CONTAINS INFORMATION THAT IS PROPRIETARY TO MOLEX ELECTRONIC TECHNOLOGIES, LLC AND SHOULD NOT BE USED WITHOUT WRITTEN PERMISSION		GENERAL TOLERANCES (UNLESS SPECIFIED)		DIMENSION UNITS	SCALE			
	F = 0 E = 0 D = 0 C = 0 B = 0 A = 0 Z = 0 Y = 0 X = 0 W = 0 V = 0	EC NO: 115716 DRWN: TYE CHKD: JDENG02 REV APPR:	2017/04/21 2017/04/21	4 PLACES ± 3 PLACES ± 2 PLACES ± 1 PLACE ± 0 PLACES ±	DRAFT WHERE APPLICABLE MUST REMAIN WITHIN DIMENSIONS	MM			
RELEASE STATUS		RELEASE DATE		DRAWING SIZE		THIRD ANGLE PROJECTION		PRODUCT CUSTOMER DRAWING	
G50		SD-34566-001		D		34566		SEE BOM TABLE	
								GENERAL MARKET	
								DOCUMENT NUMBER: SD-34566-001	
								DOC TYPE: PSD	
								DOC PART: 000	
								SHEET NUMBER: 1 OF 93	

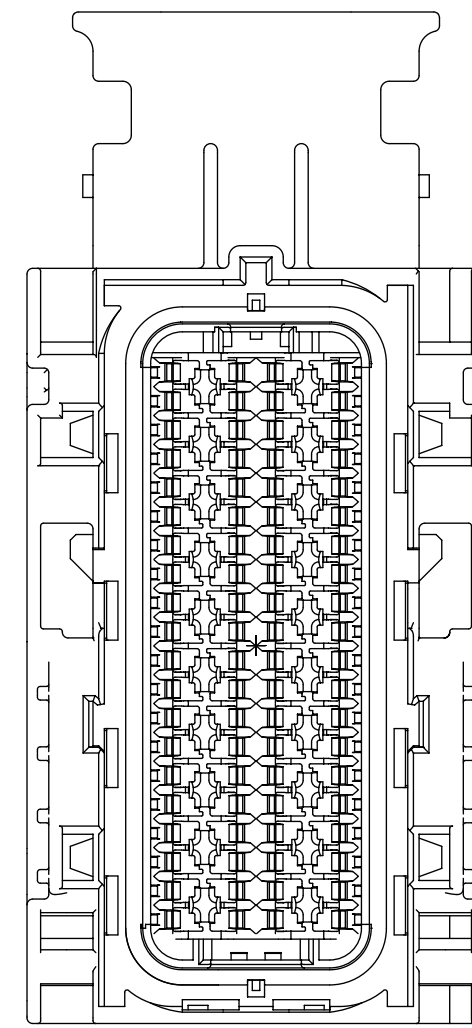
# 80 CKT

HOUSING ONLY, SHOWN FOR CLARITY

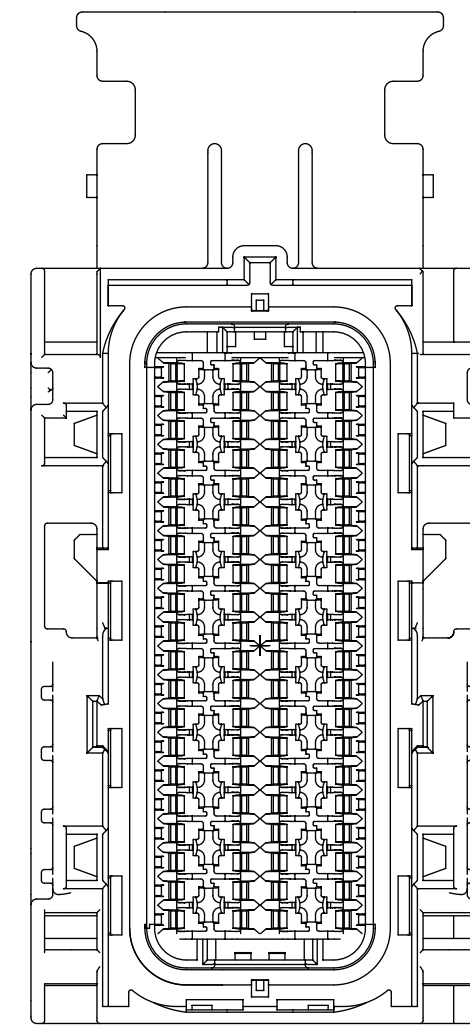
WIRE DRESS OPTION 0



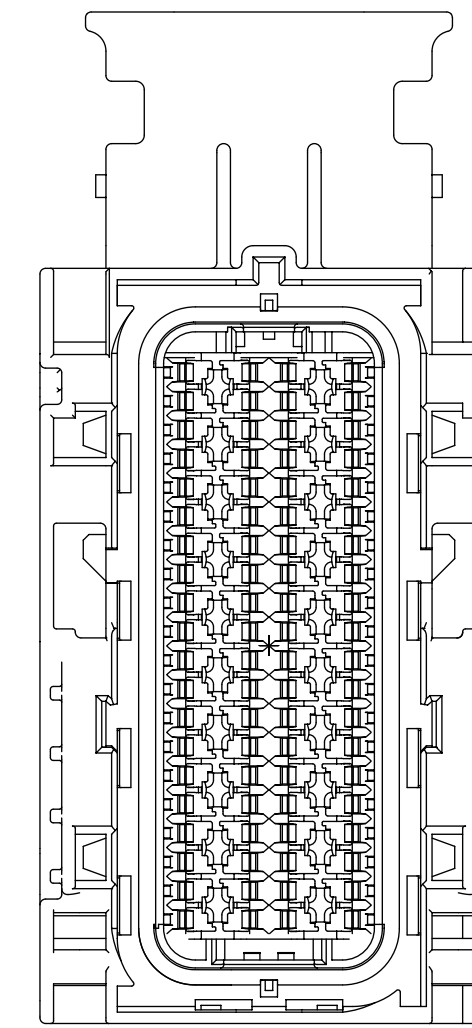
KEY G



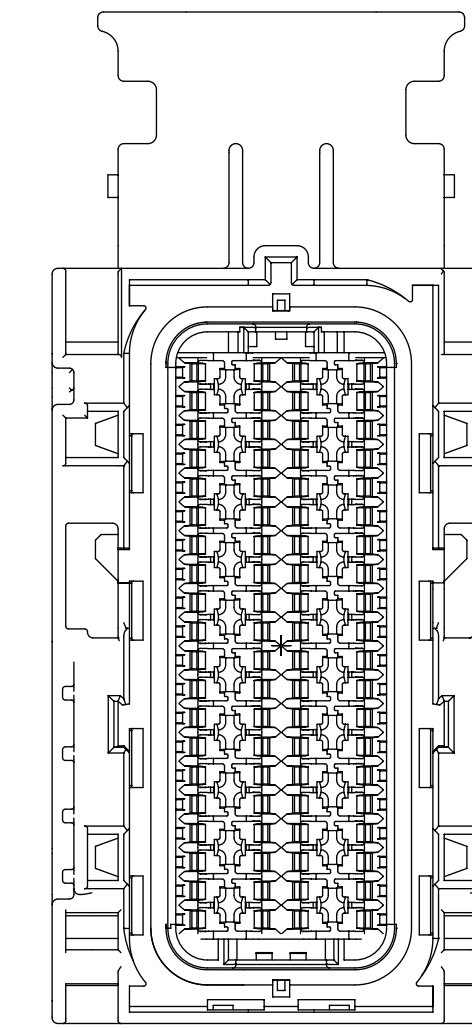
KEY H



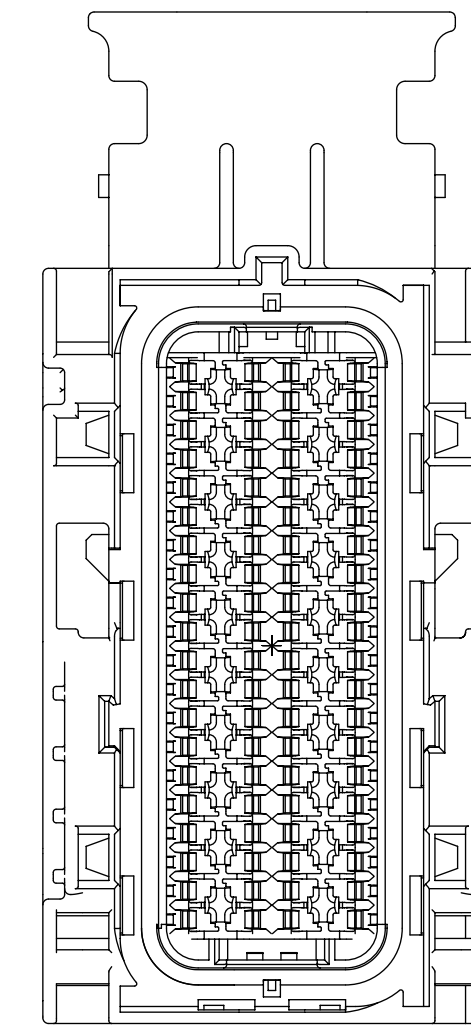
KEY J



KEY K

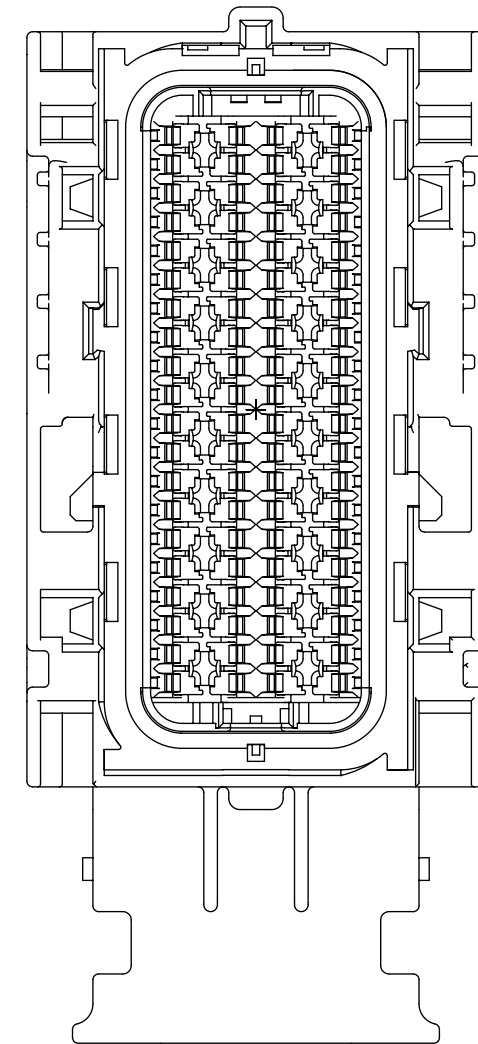
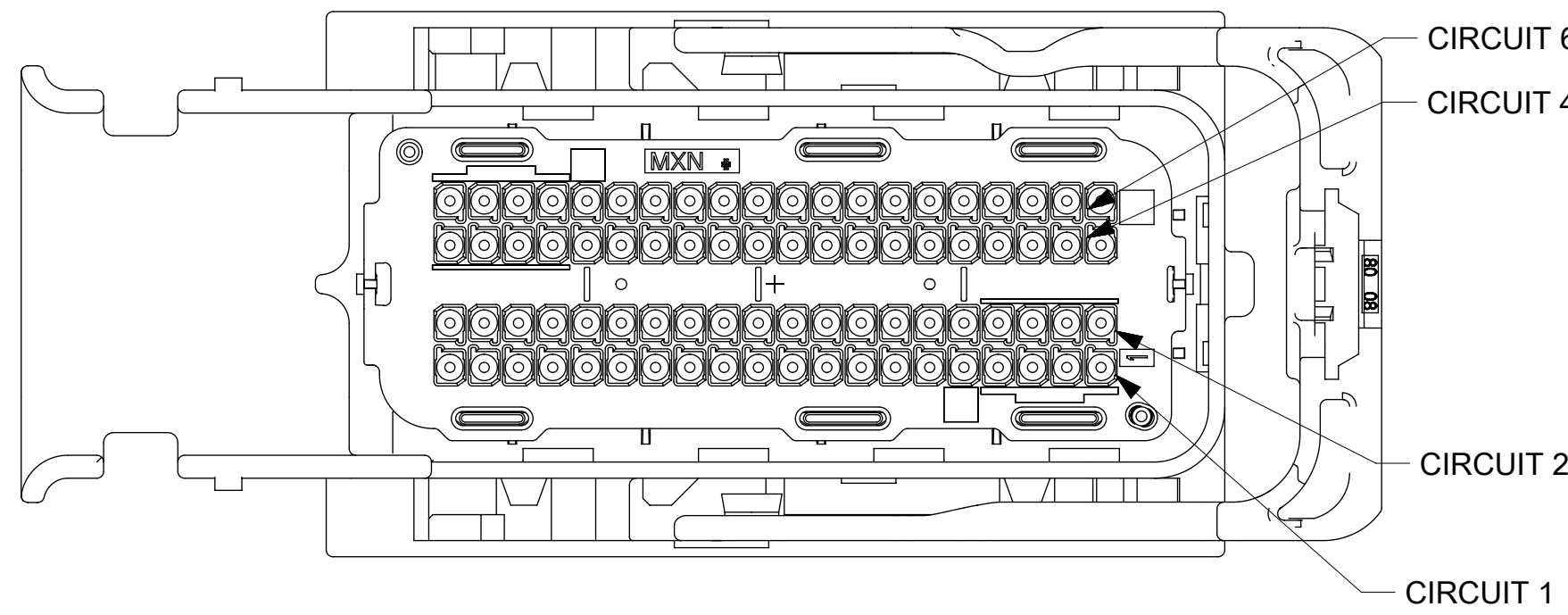


KEY L

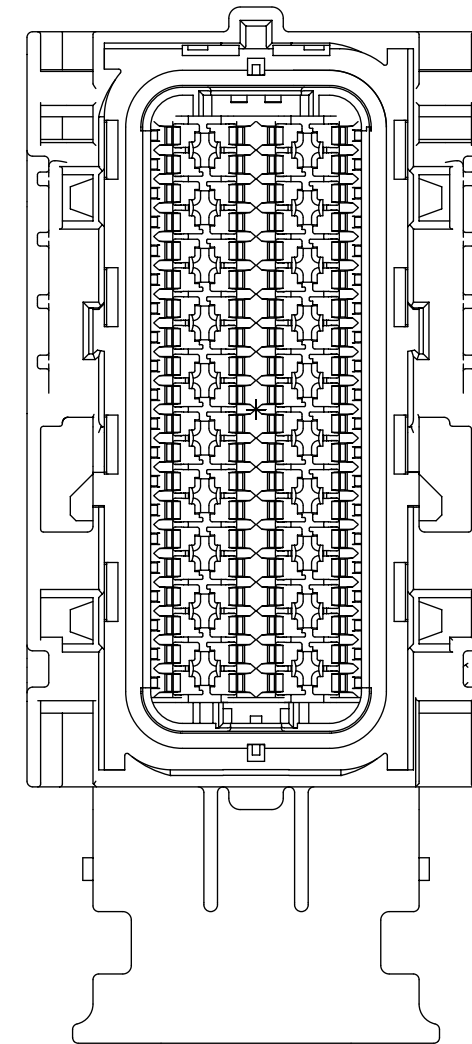


KEY M

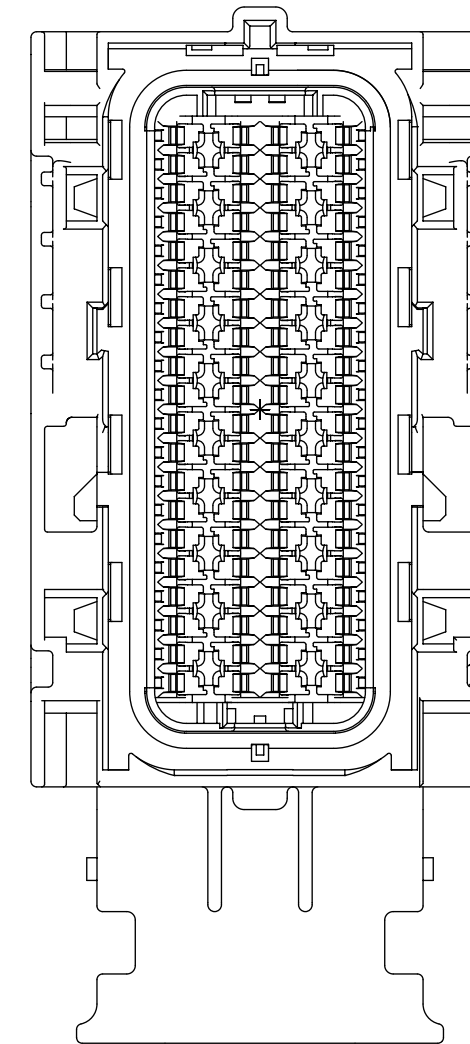
WIRE DRESS OPTION 9



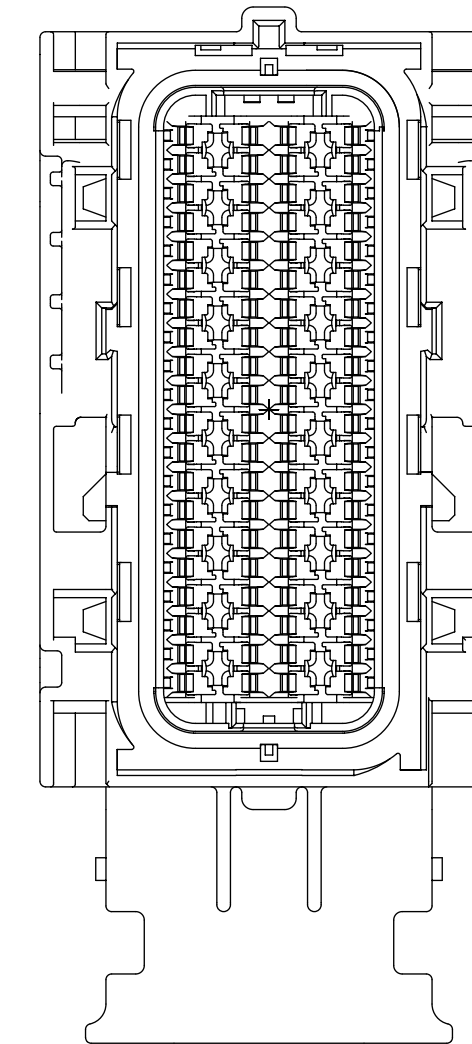
KEY G



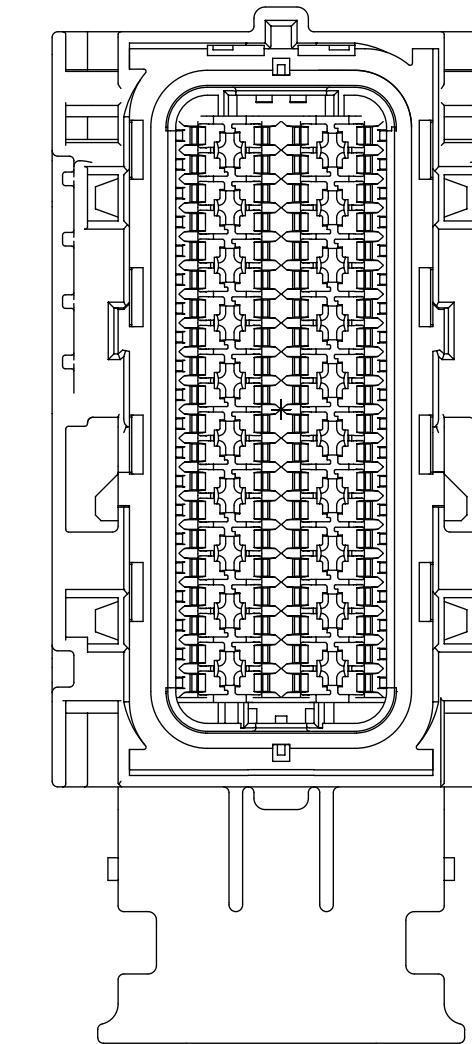
KEY H



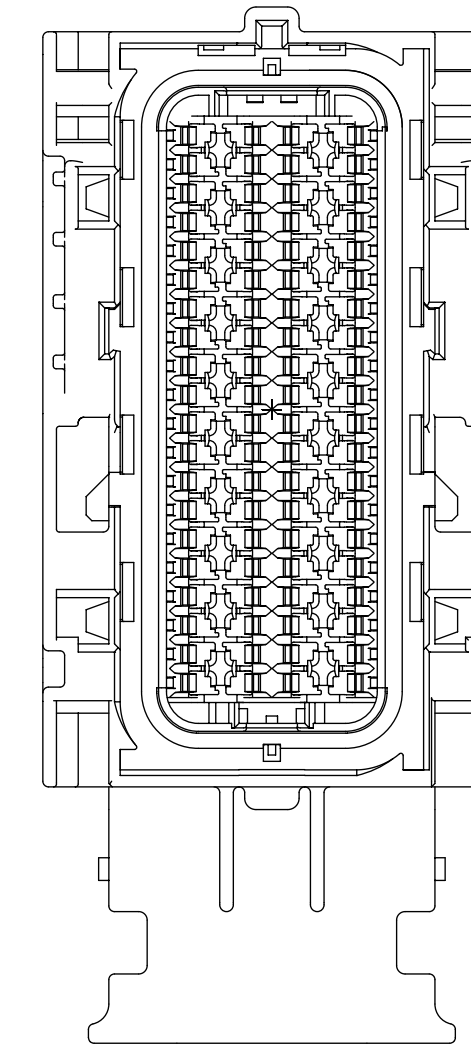
KEY J



KEY K



KEY L



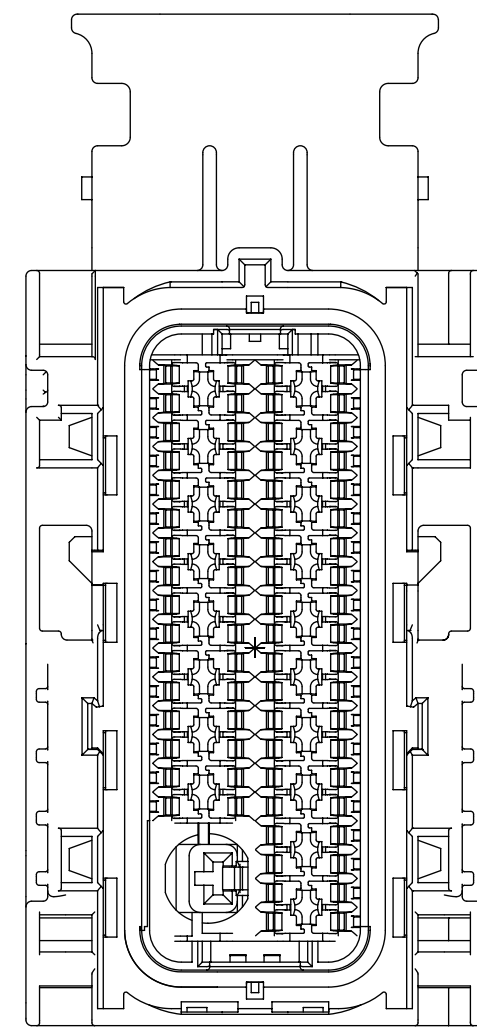
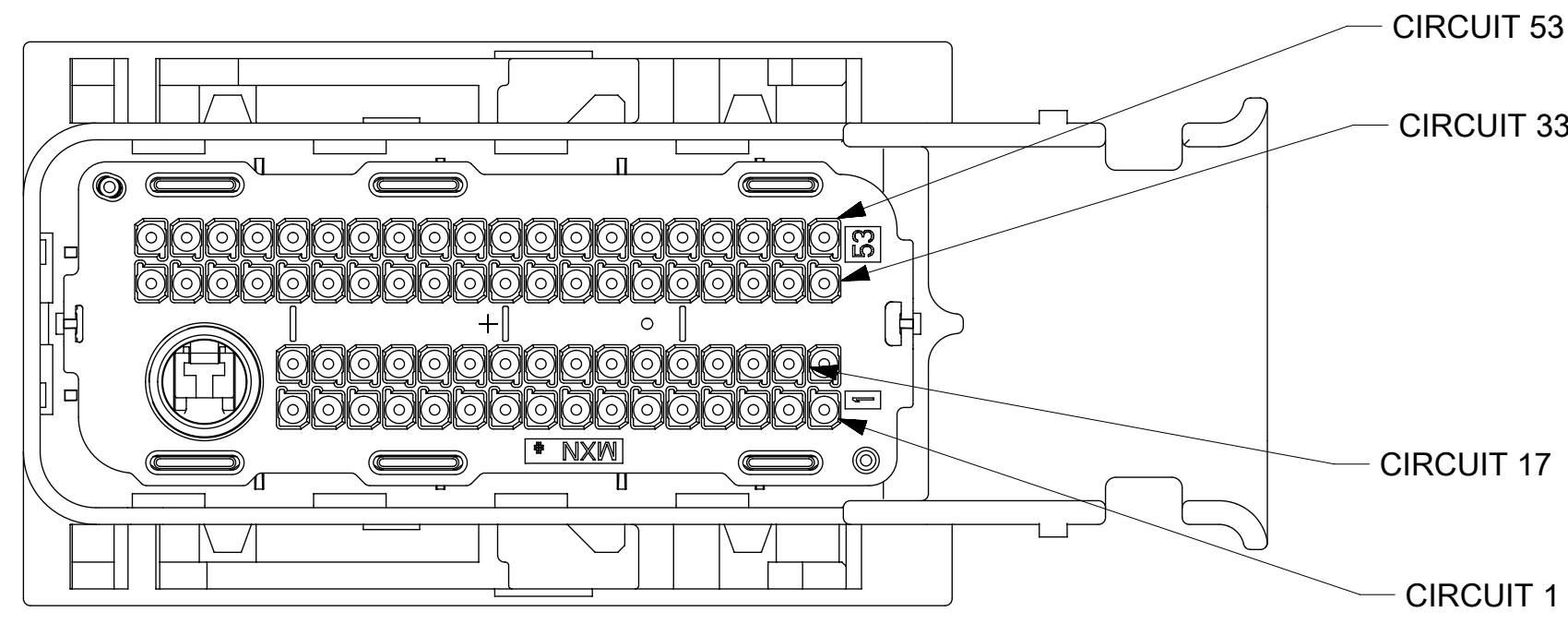
KEY M

THIS DRAWING CONTAINS INFORMATION THAT IS PROPRIETARY TO MOLEX ELECTRONIC TECHNOLOGIES, LLC AND SHOULD NOT BE USED WITHOUT WRITTEN PERMISSION												
<b>QUALITY SYMBOLS</b> □ = 0 ▽ = 0 ▽ = 0 ▽ = 0 ▽ = 0 ▽ = 0 ▽ = 0 ▽ = 0 ▽ = 0 ▽ = 0 ▽ = 0	2017/04/12	2017/04/21	GENERAL TOLERANCES (UNLESS SPECIFIED)		DIMENSION UNITS	SCALE						
	MM	1.5:1	ANGULAR TOL ± °		DRWN BY	DATE						
	4 PLACES ±	SKRAJENDRANA	2011/02/14	DRAFT WHERE APPLICABLE MUST REMAIN WITHIN DIMENSIONS		CHKD BY	DATE	PRODUCT CUSTOMER DRAWING MX123 66/73/80CKT HRNS CONN ASSY				
	3 PLACES ±	MVANSLAMBROU	2011/02/14	DRAFT WHERE APPLICABLE MUST REMAIN WITHIN DIMENSIONS		APPR BY	DATE					
	2 PLACES ±	SKRAJENDRANA	2016/08/22	DRAFT WHERE APPLICABLE MUST REMAIN WITHIN DIMENSIONS		DRAWING SIZE		THIRD ANGLE PROJECTION		SERIES		
	1 PLACE ±	G50		DRAFT WHERE APPLICABLE MUST REMAIN WITHIN DIMENSIONS		D		34566		SEE BOM TABLE		
	0 PLACES ±	G50		DRAFT WHERE APPLICABLE MUST REMAIN WITHIN DIMENSIONS		D		34566		GENERAL MARKET		
	EC NO: 115716		DRWN: TYE		CHKD: JDENG02		APPR: JDENG02		DOCUMENT NUMBER		DOC TYPE	
	G50		G50		G50		G50		SD-34566-001		PSD 000	
	G50		G50		G50		G50		SD-34566-001		2 OF 93	

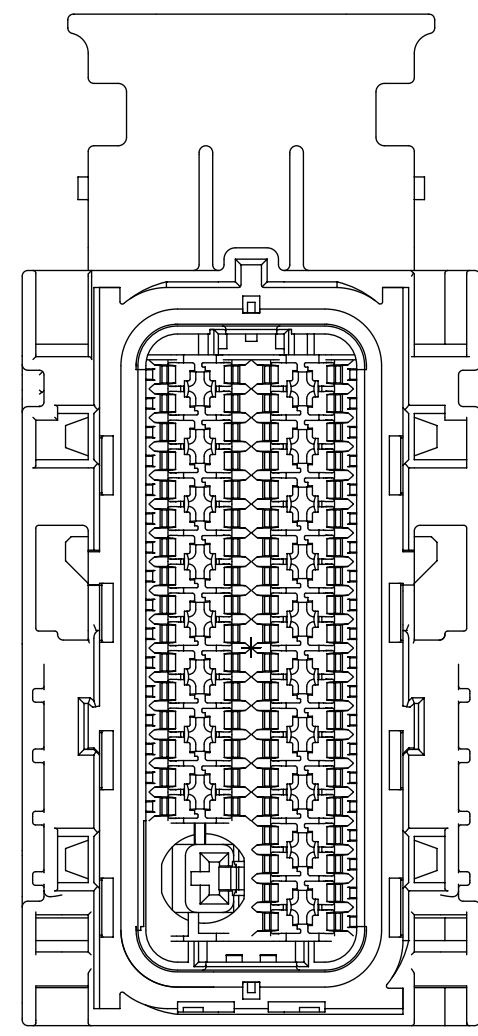
73 CKT

WIRE DRESS OPTION 0

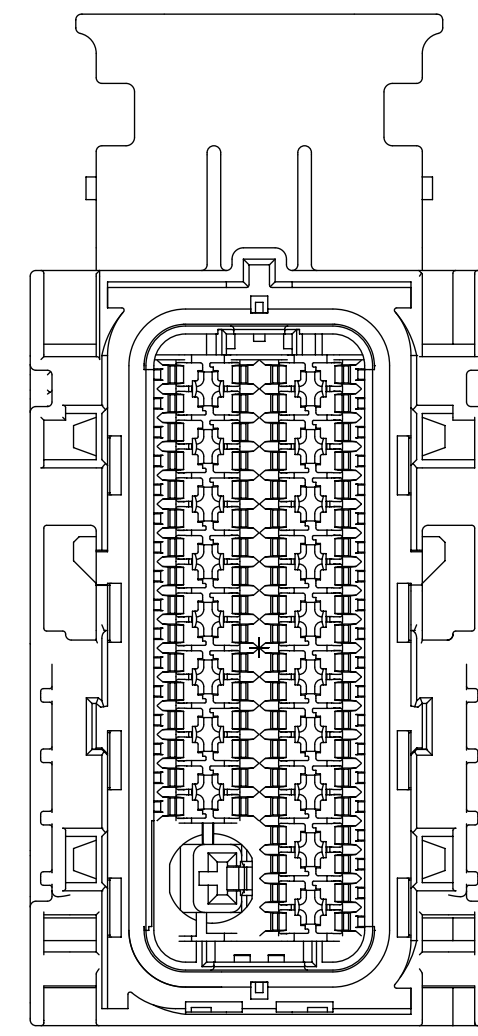
HOUSING ONLY, SHOWN FOR CLARITY



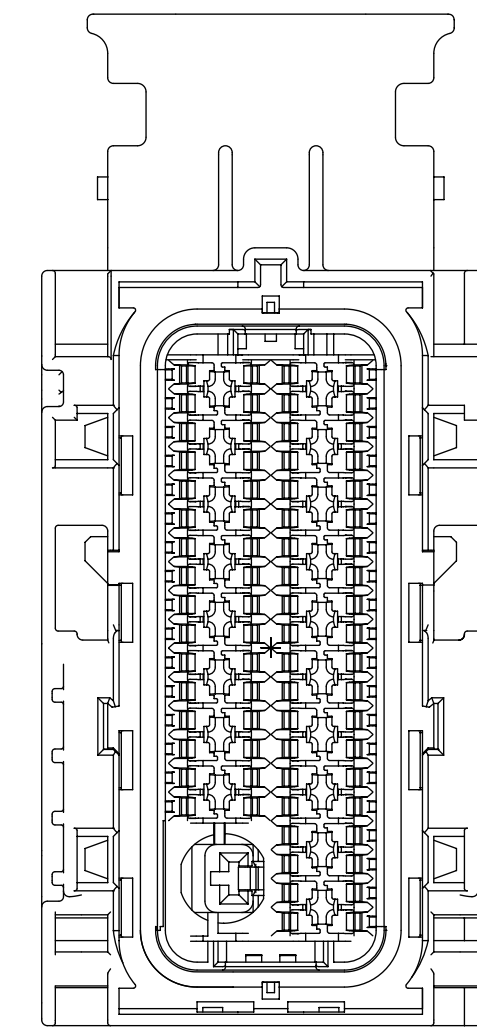
KEY A



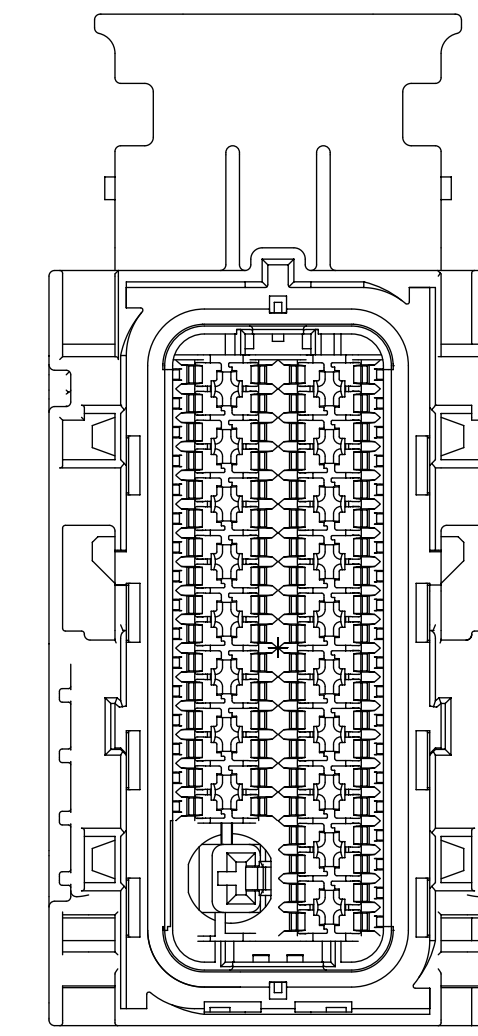
KEY B



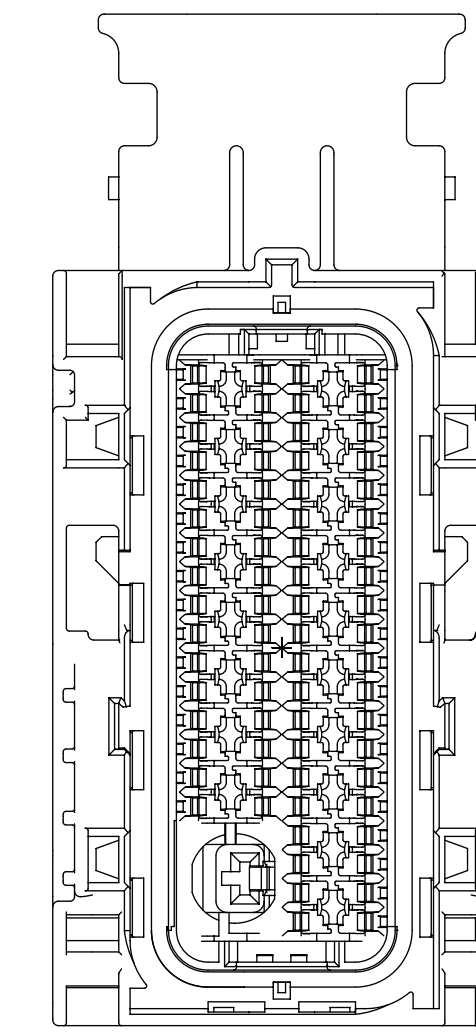
KEY C



KEY D

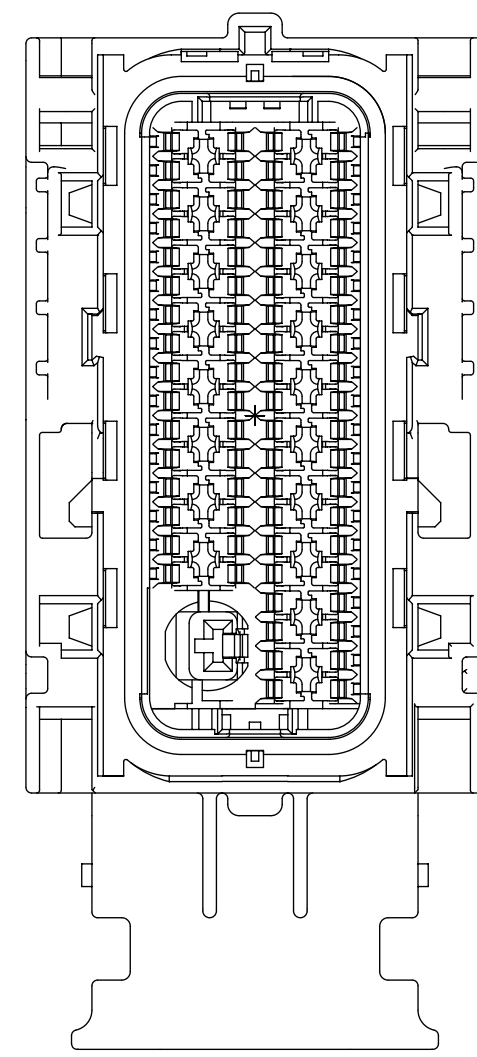
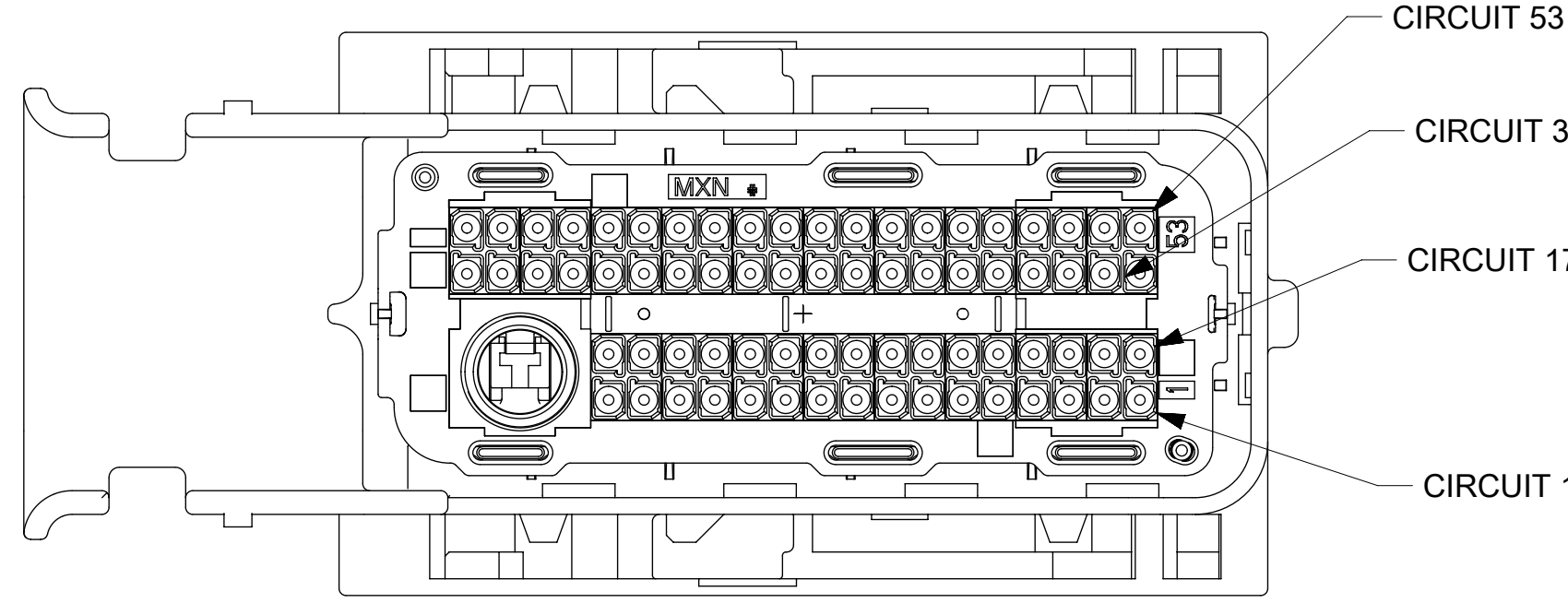


KEY E

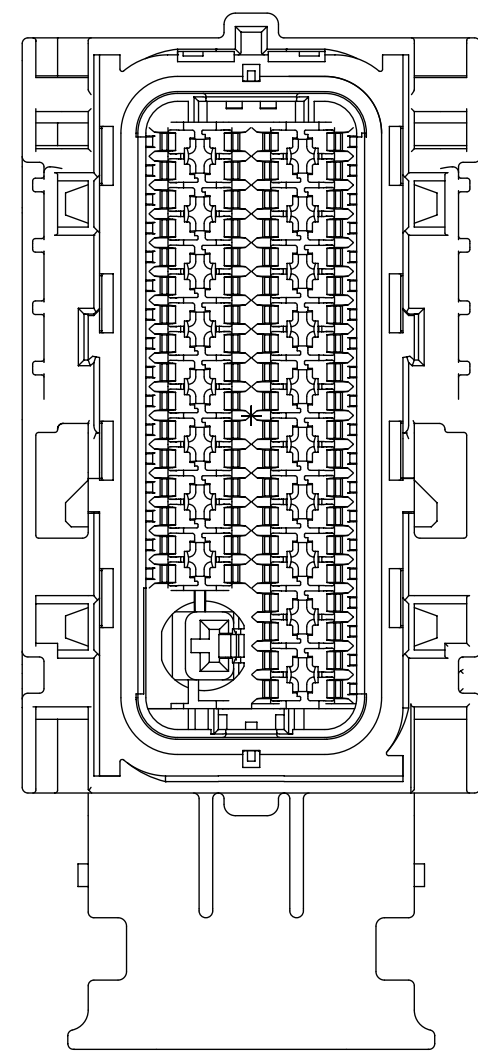


KEY F

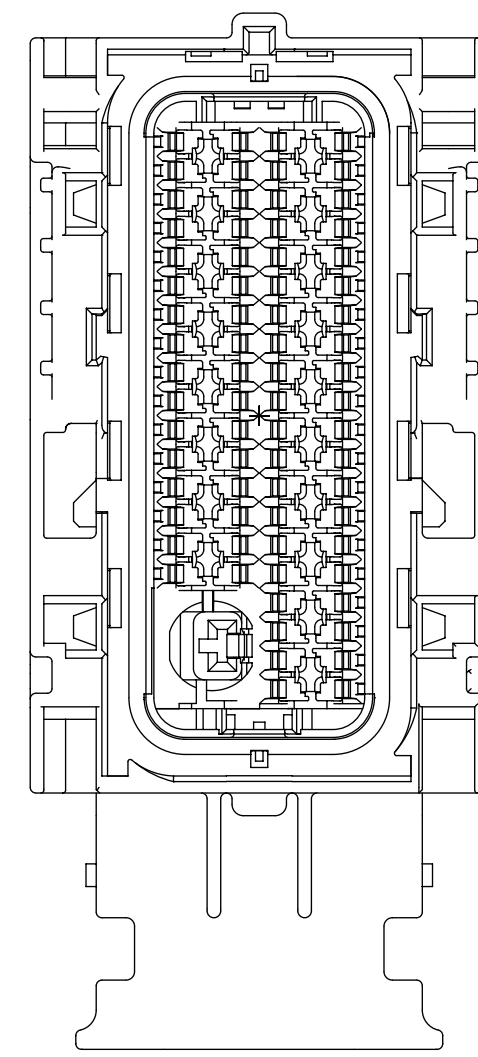
WIRE DRESS OPTION 9



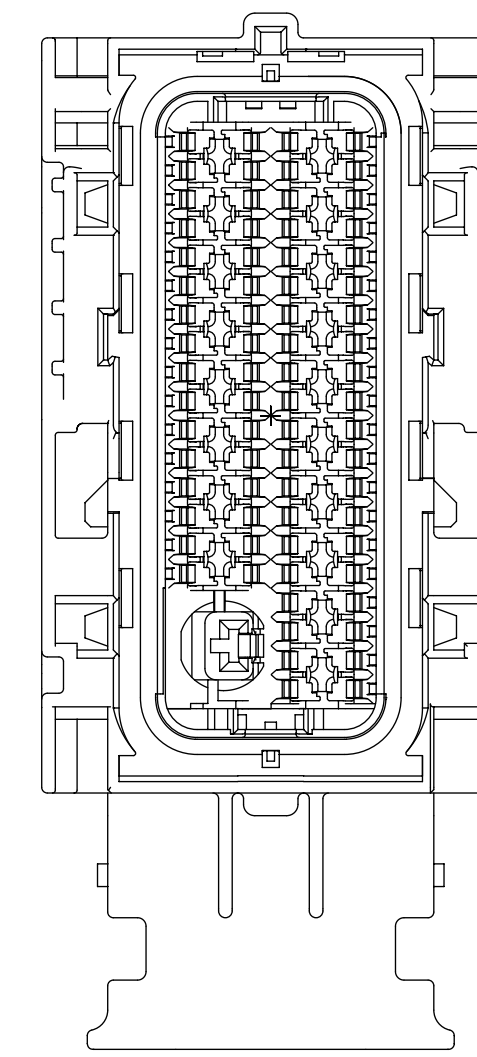
KEY A



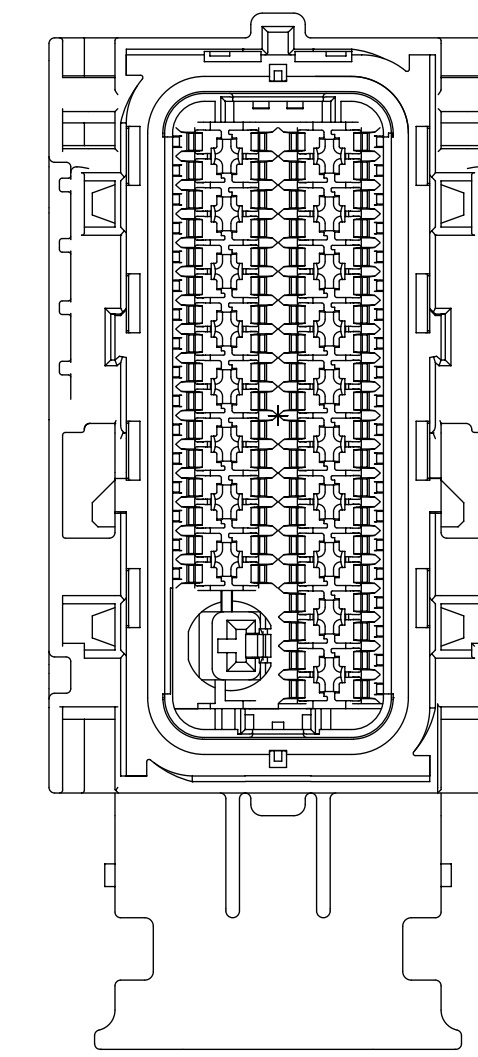
KEY B



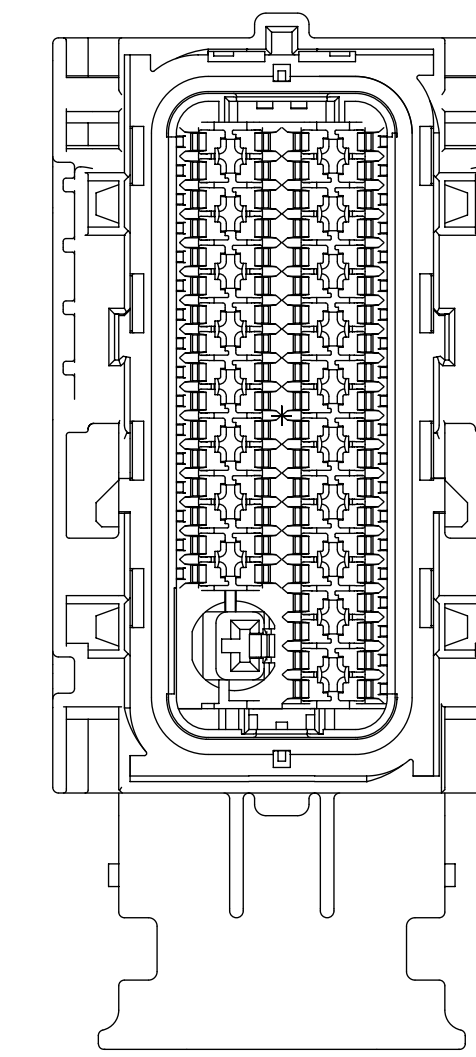
KEY C



KEY D



KEY E



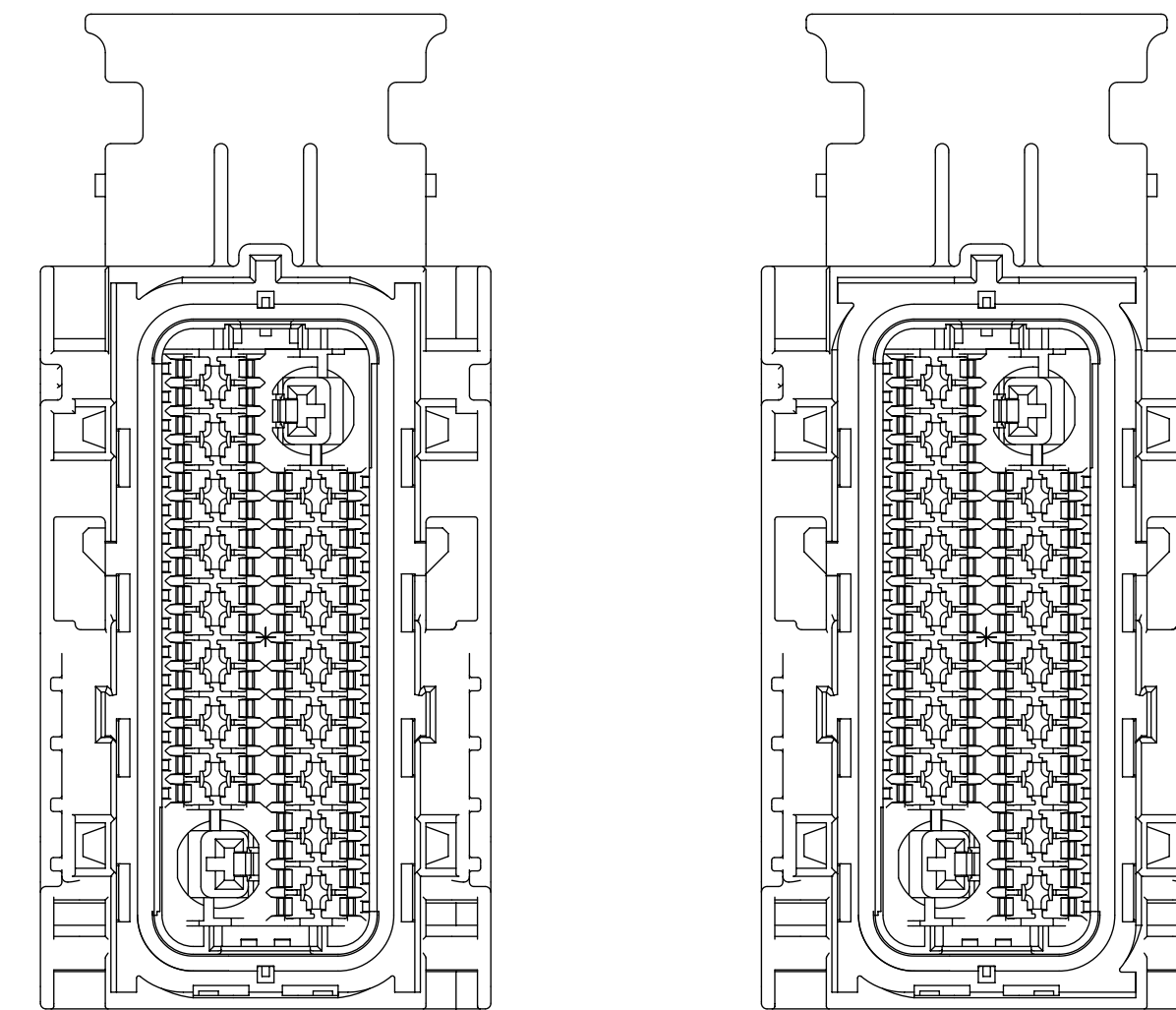
KEY F

THIS DRAWING CONTAINS INFORMATION THAT IS PROPRIETARY TO MOLEX ELECTRONIC TECHNOLOGIES, LLC AND SHOULD NOT BE USED WITHOUT WRITTEN PERMISSION									
<b>QUALITY SYMBOLS</b> □ = 0 ▽ = 0 ▽ = 0 ▽ = 0 ▽ = 0 ▽ = 0 ▽ = 0 ▽ = 0 ▽ = 0 ▽ = 0 ▽ = 0	2017/04/12	2017/04/21	GENERAL TOLERANCES (UNLESS SPECIFIED)		DIMENSION UNITS	SCALE			
	MM	1.5:1	ANGULAR TOL ± °		DRWN BY	DATE			
	4 PLACES ±	SKRAJENDRANA	2011/02/14	PRODUCT CUSTOMER DRAWING					
	3 PLACES ±	CHKD BY	DATE	SERIES	MATERIAL NUMBER	CUSTOMER			
	2 PLACES ±	MVANSLAMBROU	2011/02/14	34566	SEE BOM TABLE	GENERAL MARKET			
	1 PLACE ±	APPR BY	DATE	DOCUMENT NUMBER	DOC TYPE	DOC PART	SHEET NUMBER		
	0 PLACES ±	SKRAJENDRANA	2016/08/22	SD-34566-001	PSD	000	3 OF 93		
	DRAFT WHERE APPLICABLE MUST REMAIN WITHIN DIMENSIONS	DRAWING SIZE	THIRD ANGLE PROJECTION						
	D								
	EC NO: 115716	DRWN: TYE	CHKD: JDENG02	REV: APPR:					
G50									

66 CKT

WIRE DRESS OPTION 0

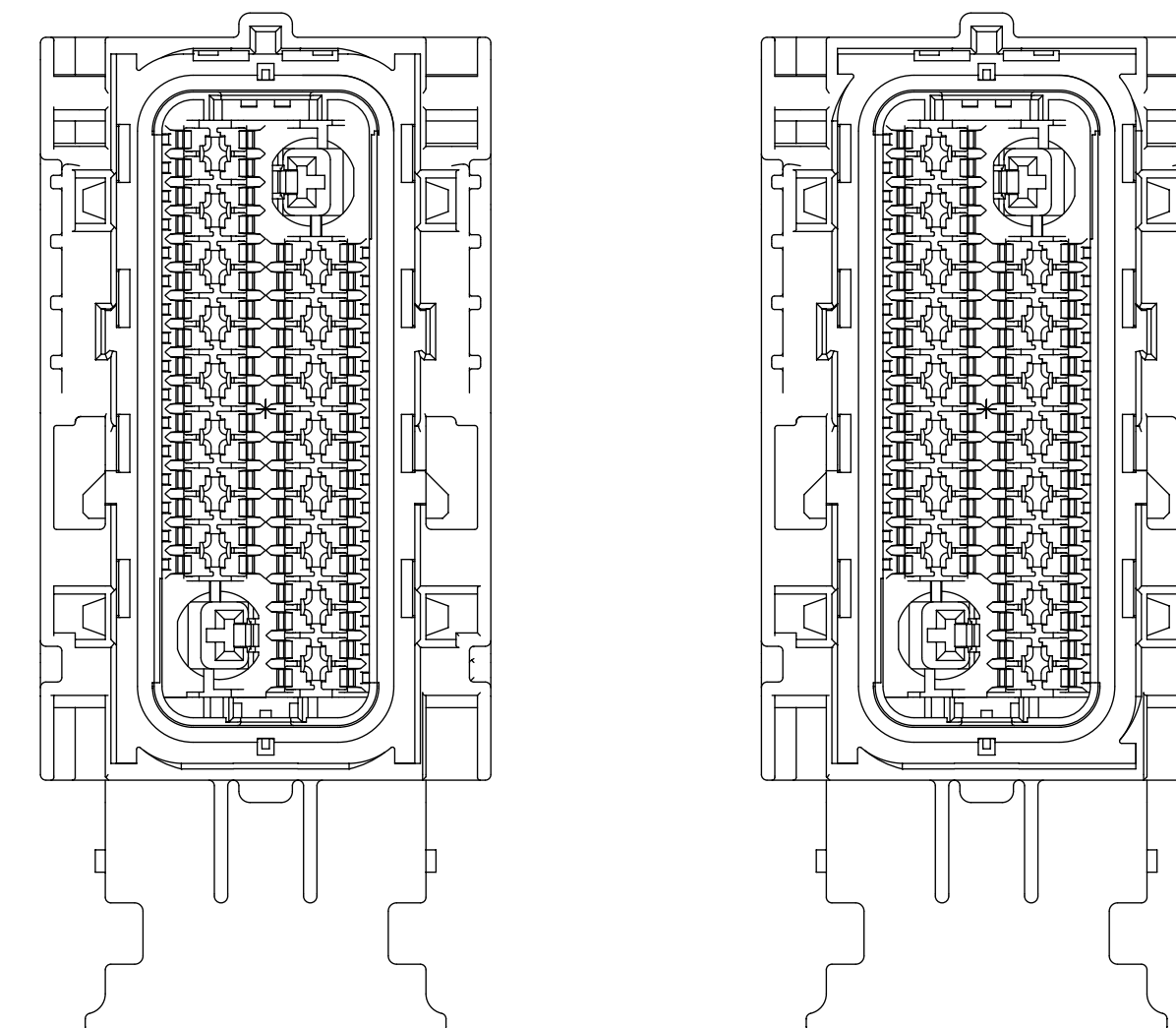
HOUSING ONLY, SHOWN FOR CLARITY



KEY A

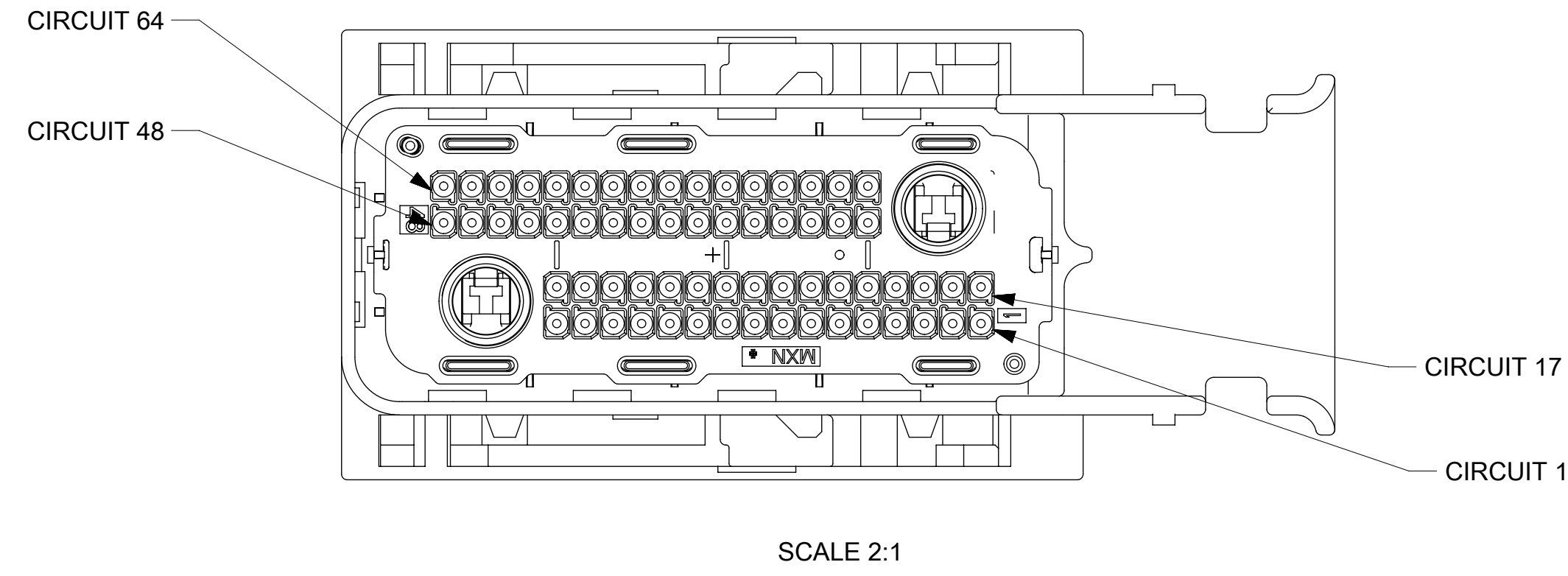
KEY B

WIRE DRESS OPTION 9

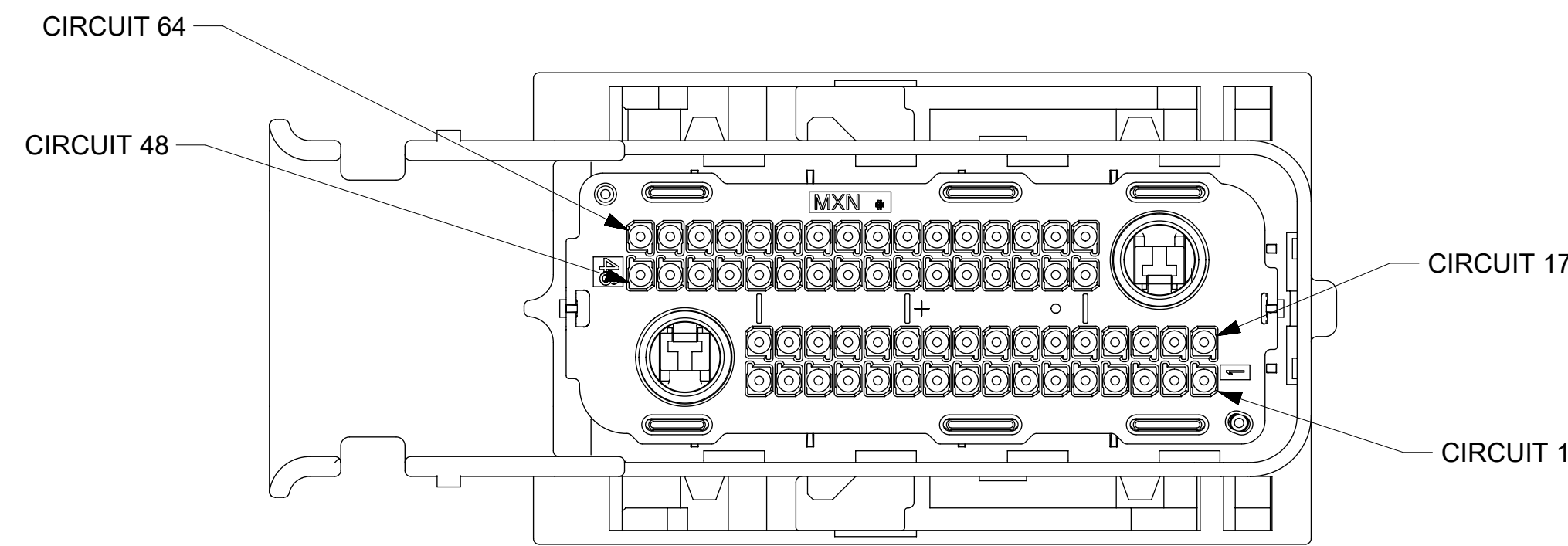


KEY A

KEY B



SCALE 2:1



SCALE 2:1

THIS DRAWING CONTAINS INFORMATION THAT IS PROPRIETARY TO MOLEX ELECTRONIC TECHNOLOGIES, LLC AND SHOULD NOT BE USED WITHOUT WRITTEN PERMISSION												
<b>QUALITY SYMBOLS</b> F = 0 E = 0 D = 0 C = 0 B = 0 A = 0 G50	2017/04/12	2017/04/21	GENERAL TOLERANCES (UNLESS SPECIFIED)		DIMENSION UNITS	SCALE						
	DRWN: TYE	CHKD: JDENG02	ANGULAR TOL ± °		MM	1.5:1						
	EC NO: 115716	REV: APPR: JDENG02	4 PLACES ±	SKRAJENDRANA	DATE	2011/02/14		MX123 66/73/80CKT HRNS CONN ASSY  PRODUCT CUSTOMER DRAWING				
			3 PLACES ±	CHKD BY	DATE	2011/02/14						
			2 PLACES ±	APPR BY	DATE	2016/08/22						
			1 PLACE ±	SKRAJENDRANA	DATE	2016/08/22		SERIES	MATERIAL NUMBER	CUSTOMER		
			0 PLACES ±	DRAFT WHERE APPLICABLE MUST REMAIN WITHIN DIMENSIONS		DRAWING SIZE	THIRD ANGLE PROJECTION	34566	SEE BOM TABLE	GENERAL MARKET		
						D		DOCUMENT NUMBER	DOC TYPE	DOC PART	SHEET NUMBER	
								SD-34566-001	PSD	000	4 OF 93	

STATUS	GM PART #	MATERIAL #	WIRE DRESS OPTION	KEY OPTION	COLOR (TPA)	NUMBERS INDICATE CAVITIES OPEN FOR CIRCUITS
(G41) AVAILABLE	12672860	34566-0103	0	A	BLACK	
(G41) AVAILABLE	12672862	34566-0203	0	B	ST GRY	72 71 70 69 68 67 66 65 64 63 62 61 60 59 58 57 56 55 54 53 52 51 50 49 48 47 46 45 44 43 42 41 40 39 38 37 36 35 34 33
(G41) AVAILABLE	12672864	34566-0303	0	C	BLUE	
ACTIVE	12615660	34566-0403	0	D	BROWN	73 32 31 30 29 28 27 26 25 24 23 22 21 20 19 18 17 16 15 14 13 12 11 10 9 8 7 6 5 4 3 2 1
ACTIVE	12615661	34566-0503	0	E	GREEN	
(G41) AVAILABLE	12672866	34566-0603	0	F	NATURAL	
(G41) AVAILABLE	12672872	34566-0703	0	G	BLUE	
(G41) AVAILABLE	12672870	34566-0803	0	H	ST GRY	80 79 78 77 76 75 74 73 72 71 70 69 68 67 66 65 64 63 62 61 60 59 58 57 56 55 54 53 52 51 50 49 48 47 46 45 44 43 42 41
(G41) ACTIVE	12672868	34566-0903	0	J	BLACK	40 39 38 37 36 35 34 33 32 31 30 29 28 27 26 25 24 23 22 21 20 19 18 17 16 15 14 13 12 11 10 9 8 7 6 5 4 3 2 1
ACTIVE	TBD	34566-1003	0	K	BROWN	
ACTIVE	TBD	34566-1103	0	L	GREEN	
ACTIVE	TBD	34566-1203	0	M	NATURAL	
(G41) AVAILABLE	12672861	34566-1303	9	A	BLACK	
(G41) AVAILABLE	12672863	34566-1403	9	B	ST GRY	72 71 70 69 68 67 66 65 64 63 62 61 60 59 58 57 56 55 54 53 52 51 50 49 48 47 46 45 44 43 42 41 40 39 38 37 36 35 34 33
(G41) AVAILABLE	12672865	34566-1503	9	C	BLUE	
ACTIVE	12615663	34566-1603	9	D	BROWN	73 32 31 30 29 28 27 26 25 24 23 22 21 20 19 18 17 16 15 14 13 12 11 10 9 8 7 6 5 4 3 2 1
ACTIVE	12615664	34566-1703	9	E	GREEN	
(G41) AVAILABLE	12672867	34566-1803	9	F	NATURAL	
(G41) AVAILABLE	12672873	34566-1903	9	G	BLUE	
(G41) AVAILABLE	12672871	34566-2003	9	H	ST GRY	80 79 78 77 76 75 74 73 72 71 70 69 68 67 66 65 64 63 62 61 60 59 58 57 56 55 54 53 52 51 50 49 48 47 46 45 44 43 42 41
(G41) ACTIVE	12672869	34566-2103	9	J	BLACK	40 39 38 37 36 35 34 33 32 31 30 29 28 27 26 25 24 23 22 21 20 19 18 17 16 15 14 13 12 11 10 9 8 7 6 5 4 3 2 1
ACTIVE	TBD	34566-2203	9	K	BROWN	
ACTIVE	TBD	34566-2303	9	L	GREEN	
ACTIVE	TBD	34566-2403	9	M	NATURAL	
(G41) AVAILABLE	12672856	34822-0013	0	A	BLACK	64 63 62 61 60 59 58 57 56 55 54 53 52 51 50 49 66 48 47 46 45 44 43 42 41 40 39 38 37 36 35 34 33
(G41) AVAILABLE	12672858	34822-0033	0	C	BLUE	65 32 31 30 29 28 27 26 25 24 23 22 21 20 19 18 17 16 15 14 13 12 11 10 9 8 7 6 5 4 3 2 1
(G41) AVAILABLE	12672857	34822-0023	9	A	BLACK	64 63 62 61 60 59 58 57 56 55 54 53 52 51 50 49 66 48 47 46 45 44 43 42 41 40 39 38 37 36 35 34 33
(G41) AVAILABLE	12672859	34822-0043	9	C	BLUE	65 32 31 30 29 28 27 26 25 24 23 22 21 20 19 18 17 16 15 14 13 12 11 10 9 8 7 6 5 4 3 2 1
N/A	N/A	N/A	N/A	N/A	N/A	73
AVAILABLE	NOT APPLICABLE	34566-2503	0	A	BLACK	72 71 69 68 67 66 64 63 62 59 56 53 50 48 46 44 43 42 39 36 35 33 73 32 30 29 27 23 20 17 14 13 12 11 9 8 5 4 3 2 1

SEE NEXT PAGE FOR ADDITIONAL NUMBERS

QUALITY SYMBOLS	THIS DRAWING CONTAINS INFORMATION THAT IS PROPRIETARY TO MOLEX ELECTRONIC TECHNOLOGIES, LLC AND SHOULD NOT BE USED WITHOUT WRITTEN PERMISSION	
= 0	2017/04/12 2017/04/21 EC NO: 115716 DRWN: TYE CHKD: REV APPR: JDENG02	GENERAL TOLERANCES (UNLESS SPECIFIED) DIMENSION UNITS: MM SCALE: 1:1 DRWN BY: SKRAJENDRANA DATE: 2011/02/14 CHKD BY: MVANSLAMBROU DATE: 2011/02/14 APPR BY: DATE: DRAWING SIZE: D THIRD ANGLE PROJECTION:
= 0		ANGULAR TOL ± °
= 0		4 PLACES ±
= 0		3 PLACES ±
= 0		2 PLACES ±
= 0		1 PLACE ±
= 0	0 PLACES ±	DRAFT WHERE APPLICABLE MUST REMAIN WITHIN DIMENSIONS
= 0	= 0	SERIES: 34566 MATERIAL NUMBER: SEE BOM TABLE CUSTOMER: GENERAL MARKET DOCUMENT NUMBER: SD-34566-001 DOC TYPE: PSD DOC PART: 000 SHEET NUMBER: 5 OF 93

STATUS	GM PART #	MATERIAL #	WIRE DRESS OPTION	KEY OPTION	COLOR (TPA)	NUMBERS INDICATE CAVITIES OPEN FOR CIRCUITS																																																																																
AVAILABLE	NOT APPLICABLE	34566-2603	0	B	ST GR	<table border="1"> <tr><td></td><td></td><td></td><td></td><td>67</td><td>66</td><td>65</td><td></td><td></td><td></td><td></td><td>59</td><td>57</td><td>55</td><td>53</td></tr> <tr><td></td><td></td><td>49</td><td>48</td><td>47</td><td></td><td></td><td>44</td><td></td><td></td><td></td><td>39</td><td>37</td><td>35</td><td>33</td></tr> <tr><td></td><td></td><td></td><td></td><td></td><td></td><td>29</td><td>28</td><td></td><td></td><td></td><td>23</td><td>21</td><td></td><td></td></tr> <tr><td>73</td><td></td><td></td><td></td><td></td><td></td><td></td><td></td><td></td><td></td><td></td><td>7</td><td></td><td></td><td></td></tr> </table>					67	66	65					59	57	55	53			49	48	47			44				39	37	35	33							29	28				23	21			73											7																							
				67	66	65					59	57	55	53																																																																								
		49	48	47			44				39	37	35	33																																																																								
						29	28				23	21																																																																										
73											7																																																																											
AVAILABLE	NOT APPLICABLE	34566-2703	0	B	ST GR	<table border="1"> <tr><td></td><td></td><td></td><td></td><td></td><td></td><td>65</td><td></td><td></td><td></td><td></td><td>59</td><td>57</td><td>55</td><td>53</td></tr> <tr><td></td><td></td><td>49</td><td>48</td><td>47</td><td></td><td></td><td>44</td><td></td><td></td><td></td><td>39</td><td>37</td><td>35</td><td>33</td></tr> <tr><td></td><td></td><td></td><td></td><td></td><td></td><td>29</td><td>28</td><td></td><td></td><td></td><td>23</td><td>21</td><td></td><td></td></tr> <tr><td>73</td><td></td><td></td><td></td><td></td><td></td><td></td><td></td><td></td><td></td><td></td><td>7</td><td></td><td></td><td></td></tr> </table>							65					59	57	55	53			49	48	47			44				39	37	35	33							29	28				23	21			73											7																							
						65					59	57	55	53																																																																								
		49	48	47			44				39	37	35	33																																																																								
						29	28				23	21																																																																										
73											7																																																																											
AVAILABLE	NOT APPLICABLE	34566-2803	0	H	ST GR	<table border="1"> <tr><td></td><td></td><td></td><td></td><td></td><td></td><td></td><td></td><td></td><td></td><td></td><td></td><td></td><td></td><td></td></tr> <tr><td></td><td></td><td></td><td></td><td></td><td></td><td></td><td></td><td></td><td></td><td></td><td></td><td></td><td></td><td></td></tr> <tr><td></td><td></td><td></td><td></td><td></td><td></td><td></td><td></td><td></td><td></td><td></td><td></td><td></td><td></td><td></td></tr> </table>																																																																																
AVAILABLE	NOT APPLICABLE	34566-2903	0	A	BLACK	<table border="1"> <tr><td>72</td><td>71</td><td>70</td><td>69</td><td>68</td><td>67</td><td>66</td><td></td><td>64</td><td>63</td><td>62</td><td>61</td><td></td><td>59</td><td></td><td></td><td>55</td><td>54</td><td>53</td></tr> <tr><td>52</td><td>51</td><td></td><td>49</td><td>48</td><td></td><td></td><td></td><td>44</td><td>43</td><td>42</td><td>41</td><td></td><td>39</td><td></td><td></td><td></td><td>35</td><td>34</td><td>33</td></tr> <tr><td></td><td></td><td></td><td></td><td>32</td><td>31</td><td></td><td>29</td><td></td><td></td><td>27</td><td></td><td>25</td><td></td><td>23</td><td></td><td></td><td>19</td><td>18</td><td>17</td></tr> <tr><td>73</td><td></td><td></td><td></td><td>16</td><td></td><td></td><td>13</td><td>12</td><td>11</td><td></td><td>9</td><td>8</td><td>7</td><td>6</td><td>5</td><td>4</td><td>3</td><td>2</td><td>1</td></tr> </table>	72	71	70	69	68	67	66		64	63	62	61		59			55	54	53	52	51		49	48				44	43	42	41		39				35	34	33					32	31		29			27		25		23			19	18	17	73				16			13	12	11		9	8	7	6	5	4	3	2	1	
72	71	70	69	68	67	66		64	63	62	61		59			55	54	53																																																																				
52	51		49	48				44	43	42	41		39				35	34	33																																																																			
				32	31		29			27		25		23			19	18	17																																																																			
73				16			13	12	11		9	8	7	6	5	4	3	2	1																																																																			
AVAILABLE	NOT APPLICABLE	34566-3003	0	A	BLACK	<table border="1"> <tr><td>72</td><td>71</td><td>70</td><td>69</td><td>68</td><td>67</td><td>66</td><td></td><td>64</td><td>63</td><td>62</td><td></td><td>60</td><td>59</td><td>58</td><td>57</td><td>56</td><td>55</td><td>54</td><td>53</td></tr> <tr><td>52</td><td>51</td><td>50</td><td>49</td><td>48</td><td>47</td><td>46</td><td></td><td>44</td><td>43</td><td>42</td><td>41</td><td>40</td><td>39</td><td>38</td><td>37</td><td>36</td><td>35</td><td>34</td><td>33</td></tr> <tr><td></td><td></td><td></td><td></td><td>32</td><td>31</td><td>30</td><td>29</td><td>28</td><td>27</td><td></td><td>25</td><td>24</td><td>23</td><td>22</td><td>21</td><td>20</td><td>19</td><td>18</td><td>17</td></tr> <tr><td>73</td><td></td><td></td><td></td><td>16</td><td>15</td><td>14</td><td>13</td><td>12</td><td>11</td><td></td><td>9</td><td>8</td><td>7</td><td>6</td><td>5</td><td>4</td><td>3</td><td>2</td><td>1</td></tr> </table>	72	71	70	69	68	67	66		64	63	62		60	59	58	57	56	55	54	53	52	51	50	49	48	47	46		44	43	42	41	40	39	38	37	36	35	34	33					32	31	30	29	28	27		25	24	23	22	21	20	19	18	17	73				16	15	14	13	12	11		9	8	7	6	5	4	3	2	1
72	71	70	69	68	67	66		64	63	62		60	59	58	57	56	55	54	53																																																																			
52	51	50	49	48	47	46		44	43	42	41	40	39	38	37	36	35	34	33																																																																			
				32	31	30	29	28	27		25	24	23	22	21	20	19	18	17																																																																			
73				16	15	14	13	12	11		9	8	7	6	5	4	3	2	1																																																																			
AVAILABLE	NOT APPLICABLE	34566-3103	0	B	ST GR	<table border="1"> <tr><td></td><td></td><td></td><td></td><td></td><td></td><td>65</td><td></td><td></td><td></td><td>62</td><td></td><td>59</td><td>57</td><td>55</td><td>53</td></tr> <tr><td></td><td></td><td>49</td><td>48</td><td></td><td>46</td><td></td><td></td><td></td><td></td><td>42</td><td></td><td>39</td><td>37</td><td>35</td><td>33</td></tr> <tr><td></td><td></td><td></td><td></td><td></td><td></td><td>29</td><td></td><td></td><td></td><td>26</td><td></td><td>23</td><td>21</td><td></td><td>18</td></tr> <tr><td>73</td><td></td><td></td><td></td><td></td><td>15</td><td></td><td></td><td></td><td></td><td>9</td><td>8</td><td>7</td><td></td><td>4</td><td>3</td></tr> </table>							65				62		59	57	55	53			49	48		46					42		39	37	35	33							29				26		23	21		18	73					15					9	8	7		4	3																
						65				62		59	57	55	53																																																																							
		49	48		46					42		39	37	35	33																																																																							
						29				26		23	21		18																																																																							
73					15					9	8	7		4	3																																																																							
AVAILABLE	NOT APPLICABLE	34566-3203	0	B	ST GR	<table border="1"> <tr><td></td><td></td><td></td><td></td><td>67</td><td></td><td></td><td></td><td></td><td></td><td></td><td></td><td>60</td><td>59</td><td>58</td><td>57</td><td>56</td><td>55</td><td>53</td></tr> <tr><td></td><td>50</td><td>49</td><td>48</td><td></td><td>46</td><td></td><td></td><td></td><td></td><td></td><td></td><td></td><td>39</td><td>38</td><td>37</td><td></td><td>35</td><td>34</td><td>33</td></tr> <tr><td></td><td></td><td></td><td></td><td></td><td></td><td>29</td><td></td><td></td><td></td><td></td><td></td><td></td><td>23</td><td>22</td><td>21</td><td></td><td></td><td>18</td><td></td></tr> <tr><td>73</td><td></td><td></td><td></td><td></td><td>16</td><td>15</td><td>14</td><td></td><td></td><td></td><td></td><td></td><td>7</td><td>6</td><td>5</td><td>4</td><td>3</td><td></td><td></td></tr> </table>					67								60	59	58	57	56	55	53		50	49	48		46								39	38	37		35	34	33							29							23	22	21			18		73					16	15	14						7	6	5	4	3			
				67								60	59	58	57	56	55	53																																																																				
	50	49	48		46								39	38	37		35	34	33																																																																			
						29							23	22	21			18																																																																				
73					16	15	14						7	6	5	4	3																																																																					
AVAILABLE	NOT APPLICABLE	34566-3303	0	B	ST GR	<table border="1"> <tr><td></td><td></td><td></td><td></td><td></td><td></td><td></td><td></td><td></td><td></td><td></td><td></td><td>59</td><td>58</td><td>57</td><td>56</td><td>55</td><td>53</td></tr> <tr><td></td><td>50</td><td>49</td><td>48</td><td></td><td>46</td><td></td><td></td><td></td><td></td><td></td><td></td><td>39</td><td>38</td><td>37</td><td></td><td>35</td><td>34</td><td>33</td></tr> <tr><td></td><td></td><td></td><td></td><td></td><td></td><td>29</td><td></td><td></td><td></td><td></td><td></td><td>23</td><td>22</td><td>21</td><td></td><td></td><td>18</td><td></td></tr> <tr><td>73</td><td></td><td></td><td></td><td></td><td>16</td><td>15</td><td>14</td><td></td><td></td><td></td><td></td><td>7</td><td>6</td><td>5</td><td>4</td><td>3</td><td></td><td></td></tr> </table>													59	58	57	56	55	53		50	49	48		46							39	38	37		35	34	33							29						23	22	21			18		73					16	15	14					7	6	5	4	3							
												59	58	57	56	55	53																																																																					
	50	49	48		46							39	38	37		35	34	33																																																																				
						29						23	22	21			18																																																																					
73					16	15	14					7	6	5	4	3																																																																						
AVAILABLE	NOT APPLICABLE	34566-3403	SEE 34566-3003																																																																																			
AVAILABLE	NOT APPLICABLE	34566-3503	0	A	BLACK	<table border="1"> <tr><td>72</td><td>71</td><td></td><td>69</td><td>68</td><td>67</td><td>66</td><td></td><td>64</td><td>63</td><td>62</td><td></td><td>60</td><td>59</td><td></td><td></td><td></td><td></td><td></td></tr> <tr><td>52</td><td></td><td></td><td>49</td><td>48</td><td></td><td>46</td><td></td><td>44</td><td>43</td><td>42</td><td></td><td>40</td><td>39</td><td></td><td></td><td></td><td>35</td><td>33</td></tr> <tr><td></td><td></td><td></td><td></td><td>32</td><td></td><td></td><td>29</td><td></td><td></td><td>27</td><td></td><td>24</td><td>23</td><td></td><td></td><td></td><td></td><td>17</td></tr> <tr><td>73</td><td></td><td></td><td></td><td></td><td></td><td>14</td><td>13</td><td>12</td><td>11</td><td></td><td>9</td><td>8</td><td>7</td><td>6</td><td>5</td><td>4</td><td>3</td><td>2</td><td>1</td></tr> </table>	72	71		69	68	67	66		64	63	62		60	59						52			49	48		46		44	43	42		40	39				35	33					32			29			27		24	23					17	73						14	13	12	11		9	8	7	6	5	4	3	2	1			
72	71		69	68	67	66		64	63	62		60	59																																																																									
52			49	48		46		44	43	42		40	39				35	33																																																																				
				32			29			27		24	23					17																																																																				
73						14	13	12	11		9	8	7	6	5	4	3	2	1																																																																			

SEE NEXT PAGE FOR ADDITIONAL NUMBERS

<b>QUALITY SYMBOLS</b> = 0 = 0 = 0 = 0 = 0 = 0 = 0 = 0 = 0	THIS DRAWING CONTAINS INFORMATION THAT IS PROPRIETARY TO MOLEX ELECTRONIC TECHNOLOGIES, LLC AND SHOULD NOT BE USED WITHOUT WRITTEN PERMISSION		DIMENSION UNITS: <b>MM</b> SCALE: <b>1:1</b>		  <b>MX123</b> <b>66/73/80CKT HRNS CONN ASSY</b>  <b>PRODUCT CUSTOMER DRAWING</b>	
	EC NO: 115716 DRWN: TYE CHKD: JDENG02 REV APPR:	2017/04/12 2017/04/21	<b>GENERAL TOLERANCES (UNLESS SPECIFIED)</b> ANGULAR TOL ± °			DRWN BY: <b>SKRAJENDRANA</b> DATE: <b>2011/02/14</b> CHKD BY: <b>MVANSLAMBROU</b> DATE: <b>2011/02/14</b> APPR BY: _____    DATE: _____
			4 PLACES ± 3 PLACES ± 2 PLACES ± 1 PLACE ± 0 PLACES ±			DRAWING SIZE: <b>D</b> THIRD ANGLE PROJECTION:
			DRAFT WHERE APPLICABLE MUST REMAIN WITHIN DIMENSIONS			SERIES: <b>34566</b> MATERIAL NUMBER: <b>SEE BOM TABLE</b> CUSTOMER: <b>GENERAL MARKET</b>
<b>G50</b>	DOCUMENT NUMBER: <b>SD-34566-001</b> DOC TYPE: <b>PSD</b> DOC PART: <b>000</b> SHEET NUMBER: <b>6 OF 93</b>					



STATUS	GM PART #	MATERIAL #	WIRE DRESS OPTION	KEY OPTION	COLOR (TPA)	NUMBERS INDICATE CAVITIES OPEN FOR CIRCUITS																																																																																	
AVAILABLE	NOT APPLICABLE	34566-3603	0	B	ST GRV	<table border="1"> <tr><td></td><td></td><td></td><td></td><td></td><td>68</td><td></td><td></td><td></td><td></td><td>64</td><td></td><td></td><td></td><td></td><td>59</td><td>57</td><td>55</td><td>53</td></tr> <tr><td></td><td></td><td></td><td>49</td><td>48</td><td>46</td><td></td><td></td><td></td><td></td><td></td><td></td><td></td><td></td><td></td><td>39</td><td>37</td><td>35</td><td>33</td></tr> <tr><td></td><td></td><td>73</td><td></td><td></td><td></td><td></td><td></td><td></td><td></td><td></td><td></td><td></td><td></td><td>23</td><td>21</td><td></td><td>18</td><td></td></tr> <tr><td></td><td></td><td></td><td></td><td></td><td></td><td></td><td></td><td></td><td></td><td>11</td><td>10</td><td></td><td></td><td>7</td><td></td><td></td><td></td><td></td></tr> </table>						68					64					59	57	55	53				49	48	46										39	37	35	33			73												23	21		18												11	10			7									
					68					64					59	57	55	53																																																																					
			49	48	46										39	37	35	33																																																																					
		73												23	21		18																																																																						
										11	10			7																																																																									
AVAILABLE	NOT APPLICABLE	34566-3703	0	A	BLACK	<table border="1"> <tr><td></td><td></td><td></td><td></td><td></td><td>68</td><td>67</td><td>66</td><td>65</td><td></td><td></td><td></td><td></td><td></td><td></td><td>59</td><td></td><td></td><td>55</td><td>53</td></tr> <tr><td></td><td></td><td></td><td>49</td><td>48</td><td>47</td><td></td><td></td><td></td><td>44</td><td></td><td></td><td></td><td></td><td></td><td>39</td><td></td><td></td><td>35</td><td>33</td></tr> <tr><td></td><td></td><td>73</td><td></td><td></td><td></td><td></td><td></td><td></td><td>29</td><td>28</td><td></td><td></td><td></td><td></td><td>23</td><td></td><td></td><td></td><td></td></tr> <tr><td></td><td></td><td></td><td></td><td></td><td></td><td></td><td></td><td></td><td></td><td></td><td></td><td></td><td></td><td></td><td>7</td><td></td><td></td><td></td><td></td></tr> </table>						68	67	66	65							59			55	53				49	48	47				44						39			35	33			73							29	28					23																				7					
					68	67	66	65							59			55	53																																																																				
			49	48	47				44						39			35	33																																																																				
		73							29	28					23																																																																								
															7																																																																								
AVAILABLE	NOT APPLICABLE	34566-3803	0	A	BLACK	<table border="1"> <tr><td>72</td><td>71</td><td></td><td>69</td><td>68</td><td>67</td><td>66</td><td></td><td>64</td><td>63</td><td>62</td><td></td><td></td><td></td><td>59</td><td></td><td>56</td><td></td><td>53</td></tr> <tr><td></td><td></td><td>50</td><td></td><td>48</td><td></td><td>46</td><td></td><td>44</td><td>43</td><td>42</td><td></td><td></td><td></td><td>39</td><td></td><td>36</td><td>35</td><td>33</td></tr> <tr><td></td><td></td><td>73</td><td></td><td>32</td><td></td><td>30</td><td>29</td><td></td><td>27</td><td></td><td></td><td></td><td></td><td>23</td><td></td><td>20</td><td></td><td>17</td></tr> <tr><td></td><td></td><td></td><td></td><td></td><td></td><td>14</td><td>13</td><td>12</td><td>11</td><td>10</td><td>9</td><td>8</td><td></td><td></td><td>5</td><td>4</td><td>3</td><td>2</td><td>1</td></tr> </table>	72	71		69	68	67	66		64	63	62				59		56		53			50		48		46		44	43	42				39		36	35	33			73		32		30	29		27					23		20		17							14	13	12	11	10	9	8			5	4	3	2	1				
72	71		69	68	67	66		64	63	62				59		56		53																																																																					
		50		48		46		44	43	42				39		36	35	33																																																																					
		73		32		30	29		27					23		20		17																																																																					
						14	13	12	11	10	9	8			5	4	3	2	1																																																																				
AVAILABLE	NOT APPLICABLE	34566-3903	0	B	ST GRV	<table border="1"> <tr><td></td><td></td><td></td><td></td><td></td><td></td><td></td><td></td><td></td><td></td><td></td><td></td><td></td><td></td><td></td><td>59</td><td>57</td><td>55</td><td>53</td></tr> <tr><td></td><td></td><td></td><td>49</td><td>48</td><td></td><td>46</td><td></td><td>44</td><td></td><td></td><td></td><td></td><td></td><td></td><td>39</td><td>37</td><td>35</td><td>33</td></tr> <tr><td></td><td></td><td>73</td><td></td><td></td><td></td><td></td><td></td><td>29</td><td>28</td><td></td><td></td><td></td><td></td><td>24</td><td>23</td><td>21</td><td></td><td></td></tr> <tr><td></td><td></td><td></td><td></td><td></td><td></td><td></td><td></td><td></td><td></td><td></td><td></td><td></td><td></td><td>7</td><td></td><td></td><td></td><td></td></tr> </table>																59	57	55	53				49	48		46		44							39	37	35	33			73						29	28					24	23	21																	7									
															59	57	55	53																																																																					
			49	48		46		44							39	37	35	33																																																																					
		73						29	28					24	23	21																																																																							
														7																																																																									
AVAILABLE	NOT APPLICABLE	34566-4003	0	B	ST GRV	<table border="1"> <tr><td></td><td></td><td></td><td></td><td></td><td></td><td>67</td><td>66</td><td></td><td>64</td><td>63</td><td></td><td></td><td></td><td></td><td>59</td><td>57</td><td>55</td><td>53</td></tr> <tr><td></td><td></td><td>50</td><td>49</td><td>48</td><td></td><td></td><td></td><td></td><td>43</td><td></td><td></td><td></td><td></td><td></td><td>39</td><td>37</td><td>35</td><td>33</td></tr> <tr><td></td><td></td><td>73</td><td></td><td>32</td><td></td><td></td><td></td><td>29</td><td>27</td><td></td><td></td><td></td><td></td><td>24</td><td>23</td><td>21</td><td></td><td>18</td></tr> <tr><td></td><td></td><td></td><td></td><td></td><td></td><td>15</td><td></td><td></td><td></td><td></td><td></td><td></td><td></td><td>7</td><td>6</td><td>5</td><td>4</td><td>3</td></tr> </table>							67	66		64	63					59	57	55	53			50	49	48					43						39	37	35	33			73		32				29	27					24	23	21		18							15								7	6	5	4	3					
						67	66		64	63					59	57	55	53																																																																					
		50	49	48					43						39	37	35	33																																																																					
		73		32				29	27					24	23	21		18																																																																					
						15								7	6	5	4	3																																																																					
AVAILABLE	NOT APPLICABLE	34566-4103	0	A	BLACK	<table border="1"> <tr><td>72</td><td>71</td><td></td><td>69</td><td>68</td><td>67</td><td>66</td><td></td><td>64</td><td>63</td><td>62</td><td></td><td></td><td></td><td>59</td><td></td><td></td><td></td><td></td><td></td></tr> <tr><td>52</td><td></td><td></td><td>49</td><td>48</td><td></td><td>46</td><td>45</td><td>44</td><td>43</td><td>42</td><td></td><td></td><td></td><td>40</td><td>39</td><td></td><td></td><td>35</td><td>33</td></tr> <tr><td></td><td></td><td>73</td><td></td><td>32</td><td></td><td></td><td></td><td>29</td><td>27</td><td>26</td><td></td><td></td><td></td><td>24</td><td>23</td><td></td><td></td><td></td><td>17</td></tr> <tr><td></td><td></td><td></td><td></td><td></td><td></td><td>14</td><td>13</td><td>12</td><td>11</td><td>10</td><td>9</td><td>8</td><td>7</td><td>6</td><td>5</td><td>4</td><td>3</td><td>2</td><td>1</td></tr> </table>	72	71		69	68	67	66		64	63	62				59						52			49	48		46	45	44	43	42				40	39			35	33			73		32				29	27	26				24	23				17							14	13	12	11	10	9	8	7	6	5	4	3	2	1	
72	71		69	68	67	66		64	63	62				59																																																																									
52			49	48		46	45	44	43	42				40	39			35	33																																																																				
		73		32				29	27	26				24	23				17																																																																				
						14	13	12	11	10	9	8	7	6	5	4	3	2	1																																																																				
AVAILABLE	NOT APPLICABLE	34566-4203	0	B	ST GRV	<table border="1"> <tr><td></td><td></td><td></td><td></td><td></td><td></td><td></td><td></td><td></td><td></td><td></td><td></td><td></td><td></td><td></td><td>59</td><td>57</td><td>55</td><td>53</td></tr> <tr><td></td><td></td><td>50</td><td>49</td><td>48</td><td></td><td>46</td><td></td><td></td><td></td><td></td><td></td><td></td><td></td><td></td><td>39</td><td>37</td><td>35</td><td>33</td></tr> <tr><td></td><td></td><td>73</td><td></td><td>32</td><td></td><td></td><td></td><td>29</td><td></td><td></td><td></td><td></td><td></td><td>24</td><td>23</td><td>21</td><td></td><td>18</td></tr> <tr><td></td><td></td><td></td><td></td><td></td><td></td><td>15</td><td></td><td></td><td></td><td></td><td></td><td></td><td></td><td>7</td><td>6</td><td>5</td><td>4</td><td>3</td></tr> </table>																59	57	55	53			50	49	48		46									39	37	35	33			73		32				29						24	23	21		18							15								7	6	5	4	3					
															59	57	55	53																																																																					
		50	49	48		46									39	37	35	33																																																																					
		73		32				29						24	23	21		18																																																																					
						15								7	6	5	4	3																																																																					
AVAILABLE	NOT APPLICABLE	34566-4303	0	A	BLACK	<table border="1"> <tr><td></td><td></td><td>70</td><td>69</td><td>68</td><td>67</td><td></td><td>65</td><td>64</td><td>63</td><td></td><td>61</td><td></td><td></td><td>59</td><td>58</td><td>57</td><td>56</td><td></td><td></td></tr> <tr><td></td><td></td><td>50</td><td>49</td><td>48</td><td>47</td><td></td><td></td><td></td><td></td><td></td><td>41</td><td></td><td></td><td></td><td>38</td><td>37</td><td>36</td><td></td><td>34</td><td>33</td></tr> <tr><td></td><td></td><td>73</td><td></td><td>32</td><td>31</td><td>30</td><td>29</td><td>28</td><td>27</td><td></td><td></td><td></td><td></td><td>24</td><td>23</td><td></td><td>20</td><td>19</td><td>18</td></tr> <tr><td></td><td></td><td></td><td></td><td></td><td></td><td>16</td><td></td><td></td><td></td><td>13</td><td>12</td><td>11</td><td>10</td><td>9</td><td></td><td></td><td></td><td></td><td>1</td></tr> </table>			70	69	68	67		65	64	63		61			59	58	57	56					50	49	48	47						41				38	37	36		34	33			73		32	31	30	29	28	27					24	23		20	19	18							16				13	12	11	10	9					1
		70	69	68	67		65	64	63		61			59	58	57	56																																																																						
		50	49	48	47						41				38	37	36		34	33																																																																			
		73		32	31	30	29	28	27					24	23		20	19	18																																																																				
						16				13	12	11	10	9					1																																																																				
SEE NEXT PAGE FOR ADDITIONAL NUMBERS																																																																																							


<b>QUALITY SYMBOLS</b> = 0 = 0 = 0 = 0 = 0 = 0 = 0 = 0 = 0 = 0	THIS DRAWING CONTAINS INFORMATION THAT IS PROPRIETARY TO MOLEX ELECTRONIC TECHNOLOGIES, LLC AND SHOULD NOT BE USED WITHOUT WRITTEN PERMISSION		<b>GENERAL TOLERANCES (UNLESS SPECIFIED)</b> DIMENSION UNITS: <b>MM</b> SCALE: <b>1:1</b> ANGULAR TOL ±: <b>°</b> 4 PLACES ± 3 PLACES ± 2 PLACES ± 1 PLACE ± 0 PLACES ± DRAFT WHERE APPLICABLE MUST REMAIN WITHIN DIMENSIONS		DRWN BY: <b>SKRAJENDRANA</b> DATE: <b>2011/02/14</b> CHKD BY: <b>MVANSLAMBROU</b> DATE: <b>2011/02/14</b> APPR BY: _____ DATE: _____ DRAWING SIZE: <b>D</b> THIRD ANGLE PROJECTION:		 <b>MX123</b> <b>66/73/80CKT HRNS CONN ASSY</b> <b>PRODUCT CUSTOMER DRAWING</b>	
	EC NO: 115716 DRWN: TYE CHKD: _____ REV: APPR: JDENG02	2017/04/12 2017/04/21	SERIES: <b>34566</b> MATERIAL NUMBER: <b>SEE BOM TABLE</b> CUSTOMER: <b>GENERAL MARKET</b>	DOCUMENT NUMBER: <b>SD-34566-001</b> DOC TYPE: <b>PSD</b> DOC PART: <b>000</b> SHEET NUMBER: <b>7 OF 93</b>				

STATUS	GM PART #	MATERIAL #	WIRE DRESS OPTION	KEY OPTION	COLOR (TPA)	NUMBERS INDICATE CAVITIES OPEN FOR CIRCUITS																																																																																
AVAILABLE	NOT APPLICABLE	34566-4403	0	A	BLACK	<table border="1"> <tr><td>72</td><td>71</td><td>70</td><td>69</td><td>68</td><td>67</td><td>66</td><td>65</td><td>64</td><td>63</td><td></td><td>61</td><td></td><td>59</td><td>58</td><td>57</td><td>56</td><td></td><td></td><td></td></tr> <tr><td></td><td></td><td>50</td><td>49</td><td>48</td><td>47</td><td></td><td></td><td></td><td></td><td></td><td>41</td><td></td><td></td><td>38</td><td>37</td><td>36</td><td></td><td>34</td><td>33</td></tr> <tr><td colspan="4">73</td><td>32</td><td>31</td><td>30</td><td>29</td><td>28</td><td>27</td><td></td><td></td><td>24</td><td>23</td><td></td><td>20</td><td>19</td><td>18</td><td></td><td></td></tr> <tr><td colspan="4"></td><td>16</td><td></td><td></td><td>13</td><td>12</td><td>11</td><td>10</td><td>9</td><td></td><td></td><td>6</td><td></td><td>4</td><td></td><td></td><td></td></tr> </table>	72	71	70	69	68	67	66	65	64	63		61		59	58	57	56						50	49	48	47						41			38	37	36		34	33	73				32	31	30	29	28	27			24	23		20	19	18							16			13	12	11	10	9			6		4			
72	71	70	69	68	67	66	65	64	63		61		59	58	57	56																																																																						
		50	49	48	47						41			38	37	36		34	33																																																																			
73				32	31	30	29	28	27			24	23		20	19	18																																																																					
				16			13	12	11	10	9			6		4																																																																						
AVAILABLE	NOT APPLICABLE	34566-4503	0	H	ST GRY	<table border="1"> <tr><td></td><td>79</td><td>78</td><td>77</td><td>76</td><td>75</td><td>74</td><td>73</td><td>72</td><td>71</td><td>70</td><td>69</td><td>68</td><td></td><td>66</td><td>65</td><td>64</td><td>63</td><td></td><td>61</td></tr> <tr><td>60</td><td>59</td><td>58</td><td>57</td><td>56</td><td></td><td></td><td>53</td><td></td><td></td><td>50</td><td></td><td></td><td></td><td></td><td></td><td>44</td><td>43</td><td></td><td>41</td></tr> <tr><td>40</td><td>39</td><td>38</td><td>37</td><td></td><td>35</td><td>34</td><td>33</td><td>32</td><td></td><td>30</td><td>29</td><td></td><td>27</td><td>26</td><td></td><td>24</td><td>23</td><td>22</td><td>21</td></tr> <tr><td>20</td><td>19</td><td>18</td><td>17</td><td></td><td></td><td></td><td>13</td><td>12</td><td>11</td><td></td><td></td><td>8</td><td></td><td>6</td><td>5</td><td></td><td>3</td><td>2</td><td></td></tr> </table>		79	78	77	76	75	74	73	72	71	70	69	68		66	65	64	63		61	60	59	58	57	56			53			50						44	43		41	40	39	38	37		35	34	33	32		30	29		27	26		24	23	22	21	20	19	18	17				13	12	11			8		6	5		3	2	
	79	78	77	76	75	74	73	72	71	70	69	68		66	65	64	63		61																																																																			
60	59	58	57	56			53			50						44	43		41																																																																			
40	39	38	37		35	34	33	32		30	29		27	26		24	23	22	21																																																																			
20	19	18	17				13	12	11			8		6	5		3	2																																																																				
AVAILABLE	NOT APPLICABLE	34566-4603	0	H	ST GRY	<table border="1"> <tr><td></td><td>79</td><td>78</td><td>77</td><td>76</td><td>75</td><td>74</td><td>73</td><td>72</td><td>71</td><td>70</td><td>69</td><td>68</td><td></td><td>66</td><td>65</td><td>64</td><td>63</td><td></td><td>61</td></tr> <tr><td>60</td><td>59</td><td>58</td><td>57</td><td>56</td><td></td><td></td><td>53</td><td></td><td></td><td>50</td><td></td><td></td><td></td><td></td><td></td><td>44</td><td>43</td><td></td><td>41</td></tr> <tr><td>40</td><td>39</td><td>38</td><td>37</td><td></td><td>35</td><td>34</td><td>33</td><td>32</td><td></td><td>30</td><td>29</td><td></td><td>27</td><td>26</td><td></td><td>24</td><td>23</td><td>22</td><td>21</td></tr> <tr><td>20</td><td>19</td><td>18</td><td>17</td><td></td><td></td><td></td><td>13</td><td>12</td><td></td><td></td><td></td><td>8</td><td></td><td>6</td><td>5</td><td></td><td>3</td><td>2</td><td></td></tr> </table>		79	78	77	76	75	74	73	72	71	70	69	68		66	65	64	63		61	60	59	58	57	56			53			50						44	43		41	40	39	38	37		35	34	33	32		30	29		27	26		24	23	22	21	20	19	18	17				13	12				8		6	5		3	2	
	79	78	77	76	75	74	73	72	71	70	69	68		66	65	64	63		61																																																																			
60	59	58	57	56			53			50						44	43		41																																																																			
40	39	38	37		35	34	33	32		30	29		27	26		24	23	22	21																																																																			
20	19	18	17				13	12				8		6	5		3	2																																																																				
AVAILABLE	NOT APPLICABLE	34566-4703	0	B	ST GRY	<table border="1"> <tr><td></td><td></td><td></td><td></td><td></td><td>67</td><td>66</td><td>65</td><td>64</td><td></td><td></td><td></td><td></td><td></td><td>59</td><td>58</td><td>57</td><td></td><td>55</td><td>53</td></tr> <tr><td></td><td></td><td></td><td>49</td><td>48</td><td>47</td><td></td><td></td><td>44</td><td></td><td></td><td></td><td></td><td></td><td>39</td><td>38</td><td>37</td><td></td><td>35</td><td>33</td></tr> <tr><td colspan="4">73</td><td></td><td></td><td></td><td></td><td>29</td><td></td><td></td><td></td><td></td><td>23</td><td>22</td><td>21</td><td></td><td></td><td></td><td></td></tr> <tr><td colspan="4"></td><td></td><td></td><td></td><td></td><td>12</td><td></td><td></td><td>9</td><td></td><td>7</td><td></td><td></td><td></td><td></td><td></td><td></td></tr> </table>						67	66	65	64						59	58	57		55	53				49	48	47			44						39	38	37		35	33	73								29					23	22	21													12			9		7						
					67	66	65	64						59	58	57		55	53																																																																			
			49	48	47			44						39	38	37		35	33																																																																			
73								29					23	22	21																																																																							
								12			9		7																																																																									
AVAILABLE	NOT APPLICABLE	34566-4803	0	A	BLACK	<table border="1"> <tr><td>72</td><td>71</td><td></td><td>69</td><td>68</td><td>67</td><td>66</td><td></td><td>64</td><td>63</td><td>62</td><td>61</td><td></td><td>59</td><td></td><td></td><td></td><td></td><td></td><td>53</td></tr> <tr><td></td><td></td><td></td><td></td><td>48</td><td></td><td></td><td></td><td>44</td><td></td><td>42</td><td>41</td><td></td><td>39</td><td></td><td></td><td></td><td>35</td><td></td><td>33</td></tr> <tr><td colspan="4">73</td><td>32</td><td></td><td></td><td>29</td><td></td><td>27</td><td></td><td>25</td><td>23</td><td></td><td></td><td></td><td></td><td></td><td></td><td>17</td></tr> <tr><td colspan="4"></td><td></td><td></td><td></td><td>13</td><td>12</td><td>11</td><td></td><td>9</td><td>8</td><td></td><td></td><td>5</td><td>4</td><td>3</td><td>2</td><td>1</td></tr> </table>	72	71		69	68	67	66		64	63	62	61		59						53					48				44		42	41		39				35		33	73				32			29		27		25	23							17								13	12	11		9	8			5	4	3	2	1
72	71		69	68	67	66		64	63	62	61		59						53																																																																			
				48				44		42	41		39				35		33																																																																			
73				32			29		27		25	23							17																																																																			
							13	12	11		9	8			5	4	3	2	1																																																																			
AVAILABLE	NOT APPLICABLE	34566-4903	0	A	BLACK	<table border="1"> <tr><td>72</td><td>71</td><td>70</td><td>69</td><td>68</td><td></td><td>66</td><td>65</td><td>64</td><td>63</td><td>62</td><td>61</td><td></td><td>59</td><td>58</td><td>57</td><td>56</td><td>55</td><td></td><td></td></tr> <tr><td>52</td><td>51</td><td>50</td><td>49</td><td></td><td>47</td><td></td><td></td><td>44</td><td>43</td><td></td><td>41</td><td></td><td></td><td>38</td><td>37</td><td>36</td><td>35</td><td>34</td><td>33</td></tr> <tr><td colspan="4">73</td><td>32</td><td>31</td><td>30</td><td>29</td><td>28</td><td>27</td><td></td><td></td><td>24</td><td>23</td><td></td><td></td><td>20</td><td>19</td><td>18</td><td>17</td></tr> <tr><td colspan="4"></td><td>16</td><td>15</td><td>14</td><td>13</td><td>12</td><td>11</td><td>10</td><td>9</td><td></td><td></td><td></td><td></td><td></td><td></td><td>2</td><td>1</td></tr> </table>	72	71	70	69	68		66	65	64	63	62	61		59	58	57	56	55			52	51	50	49		47			44	43		41			38	37	36	35	34	33	73				32	31	30	29	28	27			24	23			20	19	18	17					16	15	14	13	12	11	10	9							2	1
72	71	70	69	68		66	65	64	63	62	61		59	58	57	56	55																																																																					
52	51	50	49		47			44	43		41			38	37	36	35	34	33																																																																			
73				32	31	30	29	28	27			24	23			20	19	18	17																																																																			
				16	15	14	13	12	11	10	9							2	1																																																																			
AVAILABLE	NOT APPLICABLE	34566-5003	0	H	ST GRY	<table border="1"> <tr><td></td><td>79</td><td>78</td><td>77</td><td>76</td><td>75</td><td>74</td><td>73</td><td>72</td><td>71</td><td>70</td><td>69</td><td>68</td><td></td><td>66</td><td>65</td><td>64</td><td>63</td><td></td><td>61</td></tr> <tr><td>60</td><td>59</td><td>58</td><td>57</td><td>56</td><td></td><td></td><td>53</td><td>52</td><td></td><td>50</td><td></td><td></td><td></td><td></td><td></td><td>44</td><td>43</td><td></td><td>41</td></tr> <tr><td>40</td><td>39</td><td>38</td><td>37</td><td></td><td>35</td><td>34</td><td>33</td><td>32</td><td></td><td>30</td><td>29</td><td></td><td>27</td><td>26</td><td></td><td></td><td></td><td>22</td><td>21</td></tr> <tr><td>20</td><td>19</td><td>18</td><td>17</td><td>16</td><td></td><td>14</td><td>13</td><td>12</td><td>11</td><td>10</td><td>9</td><td>8</td><td></td><td>6</td><td>5</td><td></td><td>3</td><td>2</td><td></td></tr> </table>		79	78	77	76	75	74	73	72	71	70	69	68		66	65	64	63		61	60	59	58	57	56			53	52		50						44	43		41	40	39	38	37		35	34	33	32		30	29		27	26				22	21	20	19	18	17	16		14	13	12	11	10	9	8		6	5		3	2	
	79	78	77	76	75	74	73	72	71	70	69	68		66	65	64	63		61																																																																			
60	59	58	57	56			53	52		50						44	43		41																																																																			
40	39	38	37		35	34	33	32		30	29		27	26				22	21																																																																			
20	19	18	17	16		14	13	12	11	10	9	8		6	5		3	2																																																																				
AVAILABLE	NOT APPLICABLE	34566-5103	0	B	ST GRY	<table border="1"> <tr><td></td><td></td><td></td><td></td><td></td><td>67</td><td>66</td><td>65</td><td></td><td></td><td></td><td></td><td></td><td></td><td>59</td><td>57</td><td>55</td><td></td><td>53</td></tr> <tr><td></td><td></td><td></td><td>49</td><td>48</td><td>47</td><td>46</td><td></td><td>44</td><td></td><td></td><td></td><td></td><td></td><td>39</td><td>37</td><td>35</td><td></td><td>33</td></tr> <tr><td colspan="4">73</td><td></td><td></td><td></td><td></td><td>29</td><td>28</td><td></td><td></td><td></td><td>23</td><td>21</td><td></td><td></td><td></td><td></td><td></td></tr> <tr><td colspan="4"></td><td></td><td></td><td></td><td></td><td></td><td></td><td></td><td></td><td></td><td>7</td><td></td><td></td><td></td><td></td><td></td><td></td></tr> </table>						67	66	65							59	57	55		53				49	48	47	46		44						39	37	35		33	73								29	28				23	21																			7								
					67	66	65							59	57	55		53																																																																				
			49	48	47	46		44						39	37	35		33																																																																				
73								29	28				23	21																																																																								
													7																																																																									

SEE NEXT PAGE FOR ADDITIONAL NUMBERS

<b>QUALITY SYMBOLS</b> = 0 = 0 = 0 = 0 = 0 = 0 = 0 = 0 = 0	THIS DRAWING CONTAINS INFORMATION THAT IS PROPRIETARY TO MOLEX ELECTRONIC TECHNOLOGIES, LLC AND SHOULD NOT BE USED WITHOUT WRITTEN PERMISSION										
	2017/04/12	2017/04/21	GENERAL TOLERANCES (UNLESS SPECIFIED)		DIMENSION UNITS	SCALE					
	EC NO: 115716 DRWN: TYE CHKD: REV APPR: JDENG02	ANGULAR TOL ± °		MM	1:1						
		4 PLACES ±	DRWN BY	DATE							
		3 PLACES ±	SKRAJENDRANA	2011/02/14							
		2 PLACES ±	CHKD BY	DATE							
		1 PLACE ±	MVANSLAMBROU	2011/02/14							
	0 PLACES ±	APPR BY	DATE	DRAWING SIZE	THIRD ANGLE PROJECTION						
	DRAFT WHERE APPLICABLE MUST REMAIN WITHIN DIMENSIONS		D		SERIES	MATERIAL NUMBER					CUSTOMER
					34566	SEE BOM TABLE					GENERAL MARKET
				DOCUMENT NUMBER	DOC TYPE	DOC PART					SHEET NUMBER
				SD-34566-001	PSD	000	8 OF 93				

STATUS	GM PART #	MATERIAL #	WIRE DRESS OPTION	KEY OPTION ▽	COLOR (TPA) ▽	NUMBERS INDICATE CAVITIES OPEN FOR CIRCUITS ▽																																																																																
AVAILABLE	NOT APPLICABLE	34566-5203	0	A	BLACK	<table border="1"> <tr><td>72</td><td>71</td><td></td><td>69</td><td>68</td><td>67</td><td>66</td><td></td><td>64</td><td>63</td><td>62</td><td></td><td></td><td>59</td><td>58</td><td>57</td><td>56</td><td></td><td>54</td><td>53</td></tr> <tr><td>52</td><td>51</td><td>50</td><td>49</td><td>48</td><td>47</td><td>46</td><td></td><td>44</td><td>43</td><td>42</td><td></td><td></td><td>39</td><td>38</td><td>37</td><td>36</td><td>35</td><td>34</td><td>33</td></tr> <tr><td colspan="3">73</td><td>32</td><td>31</td><td>30</td><td>29</td><td></td><td>27</td><td></td><td></td><td></td><td>24</td><td>23</td><td>22</td><td>21</td><td>20</td><td>19</td><td></td><td>17</td></tr> <tr><td colspan="3"></td><td>15</td><td>14</td><td>13</td><td>12</td><td>11</td><td></td><td>9</td><td>8</td><td>7</td><td>6</td><td>5</td><td>4</td><td>3</td><td>2</td><td>1</td><td></td><td></td></tr> </table>	72	71		69	68	67	66		64	63	62			59	58	57	56		54	53	52	51	50	49	48	47	46		44	43	42			39	38	37	36	35	34	33	73			32	31	30	29		27				24	23	22	21	20	19		17				15	14	13	12	11		9	8	7	6	5	4	3	2	1		
72	71		69	68	67	66		64	63	62			59	58	57	56		54	53																																																																			
52	51	50	49	48	47	46		44	43	42			39	38	37	36	35	34	33																																																																			
73			32	31	30	29		27				24	23	22	21	20	19		17																																																																			
			15	14	13	12	11		9	8	7	6	5	4	3	2	1																																																																					
AVAILABLE	NOT APPLICABLE	34566-5303	0	B	ST GRY	<table border="1"> <tr><td></td><td></td><td></td><td></td><td></td><td></td><td></td><td></td><td>65</td><td>64</td><td></td><td></td><td></td><td></td><td>59</td><td></td><td>57</td><td></td><td>55</td><td>53</td></tr> <tr><td></td><td></td><td>50</td><td>49</td><td>48</td><td></td><td>46</td><td></td><td></td><td></td><td></td><td></td><td></td><td>39</td><td>38</td><td>37</td><td></td><td>35</td><td>33</td><td></td></tr> <tr><td colspan="3">73</td><td>32</td><td></td><td></td><td>29</td><td></td><td></td><td></td><td></td><td></td><td>23</td><td>21</td><td></td><td></td><td></td><td></td><td></td><td></td></tr> <tr><td colspan="3"></td><td>15</td><td></td><td></td><td></td><td></td><td></td><td></td><td></td><td>7</td><td>6</td><td>5</td><td>4</td><td>3</td><td></td><td></td><td></td><td></td></tr> </table>									65	64					59		57		55	53			50	49	48		46							39	38	37		35	33		73			32			29						23	21										15								7	6	5	4	3				
								65	64					59		57		55	53																																																																			
		50	49	48		46							39	38	37		35	33																																																																				
73			32			29						23	21																																																																									
			15								7	6	5	4	3																																																																							
AVAILABLE	NOT APPLICABLE	34566-5403	0	B	ST GRY	<table border="1"> <tr><td></td><td></td><td></td><td></td><td></td><td></td><td></td><td></td><td>65</td><td></td><td></td><td></td><td></td><td></td><td>59</td><td>58</td><td>57</td><td>56</td><td>55</td><td>53</td></tr> <tr><td></td><td></td><td>50</td><td>49</td><td>48</td><td></td><td>46</td><td>45</td><td></td><td></td><td></td><td></td><td></td><td>39</td><td>38</td><td>37</td><td></td><td>35</td><td>34</td><td>33</td></tr> <tr><td colspan="3">73</td><td>32</td><td></td><td></td><td>29</td><td></td><td></td><td></td><td></td><td></td><td>23</td><td>22</td><td>21</td><td></td><td></td><td></td><td>18</td><td></td></tr> <tr><td colspan="3"></td><td>16</td><td>15</td><td>14</td><td></td><td></td><td></td><td></td><td></td><td>7</td><td>6</td><td>5</td><td>4</td><td>3</td><td></td><td></td><td></td><td></td></tr> </table>									65						59	58	57	56	55	53			50	49	48		46	45						39	38	37		35	34	33	73			32			29						23	22	21				18					16	15	14						7	6	5	4	3				
								65						59	58	57	56	55	53																																																																			
		50	49	48		46	45						39	38	37		35	34	33																																																																			
73			32			29						23	22	21				18																																																																				
			16	15	14						7	6	5	4	3																																																																							
AVAILABLE	NOT APPLICABLE	34566-5503	0	A	BLACK	<table border="1"> <tr><td>72</td><td>71</td><td></td><td>69</td><td>68</td><td>67</td><td>66</td><td></td><td>64</td><td>63</td><td>62</td><td></td><td></td><td>60</td><td>59</td><td></td><td></td><td></td><td></td><td></td></tr> <tr><td>52</td><td></td><td></td><td>49</td><td>48</td><td></td><td>46</td><td></td><td>44</td><td>43</td><td>42</td><td></td><td></td><td>40</td><td>39</td><td></td><td></td><td></td><td>35</td><td>33</td></tr> <tr><td colspan="3">73</td><td>32</td><td></td><td></td><td>29</td><td></td><td>27</td><td>26</td><td></td><td></td><td>24</td><td>23</td><td></td><td></td><td></td><td></td><td></td><td>17</td></tr> <tr><td colspan="3"></td><td></td><td></td><td>14</td><td>13</td><td>12</td><td>11</td><td>10</td><td>9</td><td>8</td><td>7</td><td>6</td><td>5</td><td>4</td><td>3</td><td>2</td><td>1</td><td></td></tr> </table>	72	71		69	68	67	66		64	63	62			60	59						52			49	48		46		44	43	42			40	39				35	33	73			32			29		27	26			24	23						17						14	13	12	11	10	9	8	7	6	5	4	3	2	1	
72	71		69	68	67	66		64	63	62			60	59																																																																								
52			49	48		46		44	43	42			40	39				35	33																																																																			
73			32			29		27	26			24	23						17																																																																			
					14	13	12	11	10	9	8	7	6	5	4	3	2	1																																																																				
AVAILABLE	NOT APPLICABLE	34566-5603	SEE 34566-2503																																																																																			
AVAILABLE	NOT APPLICABLE	34566-5703	0	B	ST GRY	<table border="1"> <tr><td></td><td></td><td></td><td></td><td>68</td><td></td><td></td><td></td><td></td><td></td><td></td><td></td><td></td><td></td><td>59</td><td></td><td>57</td><td></td><td>55</td><td>53</td></tr> <tr><td></td><td></td><td></td><td>49</td><td>48</td><td></td><td>46</td><td></td><td></td><td></td><td></td><td></td><td></td><td>39</td><td>37</td><td></td><td>35</td><td></td><td>33</td><td></td></tr> <tr><td colspan="3">73</td><td></td><td></td><td></td><td>29</td><td></td><td></td><td></td><td></td><td></td><td>23</td><td>21</td><td></td><td></td><td></td><td>18</td><td>17</td><td></td></tr> <tr><td colspan="3"></td><td></td><td></td><td></td><td>12</td><td>11</td><td>10</td><td></td><td></td><td>7</td><td></td><td></td><td></td><td></td><td></td><td></td><td></td><td></td></tr> </table>					68										59		57		55	53				49	48		46							39	37		35		33		73						29						23	21				18	17								12	11	10			7								
				68										59		57		55	53																																																																			
			49	48		46							39	37		35		33																																																																				
73						29						23	21				18	17																																																																				
						12	11	10			7																																																																											
AVAILABLE	NOT APPLICABLE	34566-5803	0	B	ST GRY	<table border="1"> <tr><td></td><td></td><td></td><td></td><td></td><td></td><td></td><td></td><td>65</td><td></td><td></td><td></td><td></td><td></td><td>59</td><td></td><td>57</td><td></td><td>55</td><td>53</td></tr> <tr><td></td><td></td><td></td><td>49</td><td>48</td><td>47</td><td></td><td></td><td></td><td></td><td></td><td></td><td></td><td>39</td><td>37</td><td></td><td>35</td><td></td><td>33</td><td></td></tr> <tr><td colspan="3">73</td><td></td><td></td><td></td><td>29</td><td></td><td></td><td></td><td></td><td></td><td>23</td><td>21</td><td></td><td></td><td></td><td></td><td>17</td><td></td></tr> <tr><td colspan="3"></td><td></td><td></td><td></td><td>12</td><td></td><td></td><td></td><td></td><td>7</td><td></td><td></td><td></td><td></td><td></td><td></td><td></td><td></td></tr> </table>									65						59		57		55	53				49	48	47								39	37		35		33		73						29						23	21					17								12					7								
								65						59		57		55	53																																																																			
			49	48	47								39	37		35		33																																																																				
73						29						23	21					17																																																																				
						12					7																																																																											
AVAILABLE	NOT APPLICABLE	34566-5903	0	A	BLACK	<table border="1"> <tr><td>72</td><td>71</td><td></td><td>69</td><td>68</td><td>67</td><td>66</td><td></td><td>64</td><td>63</td><td>62</td><td></td><td></td><td>59</td><td></td><td></td><td></td><td></td><td></td><td>53</td></tr> <tr><td></td><td></td><td></td><td>48</td><td></td><td></td><td></td><td></td><td>44</td><td>43</td><td>42</td><td></td><td></td><td>39</td><td></td><td></td><td></td><td></td><td>35</td><td>33</td></tr> <tr><td colspan="3">73</td><td>32</td><td></td><td></td><td>29</td><td></td><td>27</td><td></td><td></td><td></td><td>23</td><td></td><td></td><td></td><td></td><td></td><td></td><td>17</td></tr> <tr><td colspan="3"></td><td></td><td></td><td></td><td>13</td><td>12</td><td>11</td><td></td><td>9</td><td>8</td><td></td><td></td><td>5</td><td>4</td><td>3</td><td>2</td><td>1</td><td></td></tr> </table>	72	71		69	68	67	66		64	63	62			59						53				48					44	43	42			39					35	33	73			32			29		27				23							17							13	12	11		9	8			5	4	3	2	1	
72	71		69	68	67	66		64	63	62			59						53																																																																			
			48					44	43	42			39					35	33																																																																			
73			32			29		27				23							17																																																																			
						13	12	11		9	8			5	4	3	2	1																																																																				
SEE NEXT PAGE FOR ADDITIONAL NUMBERS																																																																																						

<b>QUALITY SYMBOLS</b> ▽ = 0 ▽ = 0 ▽ = 0 ▽ = 0 ▽ = 0 ▽ = 0 ▽ = 0 ▽ = 0 ▽ = 0	THIS DRAWING CONTAINS INFORMATION THAT IS PROPRIETARY TO MOLEX ELECTRONIC TECHNOLOGIES, LLC AND SHOULD NOT BE USED WITHOUT WRITTEN PERMISSION		GENERAL TOLERANCES (UNLESS SPECIFIED) ANGULAR TOL ± °		DIMENSION UNITS <b>MM</b>		SCALE <b>1:1</b>		 <b>MX123</b> <b>66/73/80CKT HRNS CONN ASSY</b>								
	EC NO: 115716 DRWN: TYE CHKD: REV APPR: JDENG02	2017/04/12 2017/04/21	4 PLACES ± 3 PLACES ± 2 PLACES ± 1 PLACE ± 0 PLACES ±		DRWN BY <b>SKRAJENDRANA</b>		DATE <b>2011/02/14</b>				CUSTOMER <b>GENERAL MARKET</b>						
<b>G50</b>		DRAFT WHERE APPLICABLE MUST REMAIN WITHIN DIMENSIONS		DRAWING SIZE <b>D</b>		THIRD ANGLE PROJECTION		SERIES <b>34566</b>		MATERIAL NUMBER <b>SEE BOM TABLE</b>		DOCUMENT NUMBER <b>SD-34566-001</b>		DOC TYPE <b>PSD</b>		DOC PART SHEET NUMBER <b>000 9 OF 93</b>	

STATUS	GM PART #	MATERIAL #	WIRE DRESS OPTION	KEY OPTION	COLOR (TPA)	NUMBERS INDICATE CAVITIES OPEN FOR CIRCUITS																																																																																		
AVAILABLE	NOT APPLICABLE	34566-6003	0	B	ST GRY	<table border="1"> <tr><td></td><td></td><td></td><td></td><td></td><td>67</td><td>66</td><td>65</td><td></td><td></td><td></td><td></td><td></td><td></td><td>59</td><td>57</td><td>55</td><td>53</td></tr> <tr><td></td><td></td><td></td><td>49</td><td>48</td><td>47</td><td></td><td></td><td></td><td></td><td></td><td></td><td></td><td></td><td>39</td><td>37</td><td>35</td><td>33</td></tr> <tr><td></td><td></td><td>73</td><td></td><td></td><td></td><td></td><td>29</td><td></td><td></td><td></td><td></td><td></td><td></td><td>23</td><td>21</td><td></td><td></td></tr> <tr><td></td><td></td><td></td><td></td><td></td><td></td><td></td><td></td><td></td><td></td><td></td><td></td><td></td><td></td><td>7</td><td></td><td></td><td></td></tr> </table>						67	66	65							59	57	55	53				49	48	47									39	37	35	33			73					29							23	21																	7													
					67	66	65							59	57	55	53																																																																							
			49	48	47									39	37	35	33																																																																							
		73					29							23	21																																																																									
														7																																																																										
AVAILABLE	NOT APPLICABLE	34566-6103	0	B	ST GRY	<table border="1"> <tr><td></td><td></td><td></td><td></td><td></td><td>67</td><td>66</td><td>65</td><td></td><td>62</td><td></td><td></td><td></td><td></td><td>59</td><td>57</td><td>55</td><td>53</td></tr> <tr><td></td><td></td><td></td><td>49</td><td>48</td><td>47</td><td></td><td></td><td></td><td>42</td><td></td><td></td><td></td><td></td><td>39</td><td>37</td><td>35</td><td>33</td></tr> <tr><td></td><td></td><td>73</td><td></td><td></td><td></td><td></td><td>29</td><td></td><td>26</td><td></td><td></td><td></td><td></td><td>23</td><td>21</td><td></td><td></td></tr> <tr><td></td><td></td><td></td><td></td><td></td><td></td><td></td><td></td><td></td><td>9</td><td></td><td></td><td></td><td></td><td>7</td><td></td><td></td><td></td></tr> </table>						67	66	65		62					59	57	55	53				49	48	47				42					39	37	35	33			73					29		26					23	21												9					7													
					67	66	65		62					59	57	55	53																																																																							
			49	48	47				42					39	37	35	33																																																																							
		73					29		26					23	21																																																																									
									9					7																																																																										
AVAILABLE	NOT APPLICABLE	34566-6203	0	A	BLACK	<table border="1"> <tr><td></td><td>71</td><td>70</td><td>69</td><td>68</td><td></td><td></td><td>65</td><td>64</td><td>63</td><td></td><td>61</td><td></td><td>59</td><td>57</td><td>56</td><td></td><td></td></tr> <tr><td>52</td><td>51</td><td>50</td><td>49</td><td></td><td>47</td><td></td><td></td><td></td><td></td><td></td><td>41</td><td></td><td></td><td>38</td><td>37</td><td>36</td><td>34</td><td>33</td></tr> <tr><td></td><td></td><td></td><td></td><td></td><td>32</td><td>31</td><td>30</td><td>29</td><td>28</td><td>27</td><td></td><td></td><td>24</td><td>23</td><td></td><td>20</td><td>19</td><td>18</td><td>17</td></tr> <tr><td></td><td></td><td></td><td></td><td></td><td>16</td><td></td><td></td><td>13</td><td>12</td><td>11</td><td>10</td><td>9</td><td></td><td></td><td></td><td></td><td></td><td></td><td>1</td></tr> </table>		71	70	69	68			65	64	63		61		59	57	56			52	51	50	49		47						41			38	37	36	34	33						32	31	30	29	28	27			24	23		20	19	18	17						16			13	12	11	10	9							1					
	71	70	69	68			65	64	63		61		59	57	56																																																																									
52	51	50	49		47						41			38	37	36	34	33																																																																						
					32	31	30	29	28	27			24	23		20	19	18	17																																																																					
					16			13	12	11	10	9							1																																																																					
AVAILABLE	NOT APPLICABLE	34566-6303	0	A	BLACK	<table border="1"> <tr><td></td><td>71</td><td>70</td><td>69</td><td>68</td><td></td><td></td><td>65</td><td>64</td><td>63</td><td></td><td>61</td><td></td><td>59</td><td>57</td><td>56</td><td></td><td></td></tr> <tr><td>52</td><td>51</td><td>50</td><td>49</td><td></td><td>47</td><td></td><td></td><td></td><td></td><td></td><td>41</td><td></td><td></td><td>38</td><td>37</td><td>36</td><td>34</td><td>33</td></tr> <tr><td></td><td></td><td></td><td></td><td></td><td>32</td><td>31</td><td>30</td><td>29</td><td>28</td><td>27</td><td></td><td></td><td>24</td><td>23</td><td></td><td>20</td><td>19</td><td>18</td><td>17</td></tr> <tr><td></td><td></td><td></td><td></td><td></td><td>16</td><td></td><td></td><td>13</td><td>12</td><td>11</td><td>10</td><td>9</td><td></td><td></td><td></td><td></td><td></td><td>2</td><td>1</td></tr> </table>		71	70	69	68			65	64	63		61		59	57	56			52	51	50	49		47						41			38	37	36	34	33						32	31	30	29	28	27			24	23		20	19	18	17						16			13	12	11	10	9						2	1					
	71	70	69	68			65	64	63		61		59	57	56																																																																									
52	51	50	49		47						41			38	37	36	34	33																																																																						
					32	31	30	29	28	27			24	23		20	19	18	17																																																																					
					16			13	12	11	10	9						2	1																																																																					
AVAILABLE	NOT APPLICABLE	34566-6403	0	A	BLACK	<table border="1"> <tr><td></td><td>71</td><td></td><td>69</td><td>68</td><td></td><td></td><td>65</td><td>64</td><td>63</td><td></td><td>61</td><td></td><td>59</td><td>58</td><td>56</td><td></td><td></td></tr> <tr><td>52</td><td></td><td>50</td><td>49</td><td></td><td>47</td><td></td><td></td><td></td><td></td><td></td><td>41</td><td></td><td></td><td>38</td><td>37</td><td>36</td><td>34</td><td>33</td></tr> <tr><td></td><td></td><td></td><td></td><td></td><td>32</td><td>31</td><td>30</td><td>29</td><td>28</td><td>27</td><td></td><td></td><td>24</td><td>23</td><td></td><td>20</td><td>19</td><td>18</td><td>17</td></tr> <tr><td></td><td></td><td></td><td></td><td></td><td>16</td><td></td><td></td><td>13</td><td>12</td><td>11</td><td>10</td><td>9</td><td></td><td></td><td></td><td></td><td></td><td></td><td>1</td></tr> </table>		71		69	68			65	64	63		61		59	58	56			52		50	49		47						41			38	37	36	34	33						32	31	30	29	28	27			24	23		20	19	18	17						16			13	12	11	10	9							1					
	71		69	68			65	64	63		61		59	58	56																																																																									
52		50	49		47						41			38	37	36	34	33																																																																						
					32	31	30	29	28	27			24	23		20	19	18	17																																																																					
					16			13	12	11	10	9							1																																																																					
AVAILABLE	NOT APPLICABLE	34566-6503	0	A	BLACK	<table border="1"> <tr><td></td><td>71</td><td></td><td>69</td><td>68</td><td></td><td></td><td>65</td><td>64</td><td>63</td><td></td><td>61</td><td></td><td>59</td><td>58</td><td>56</td><td></td><td></td></tr> <tr><td>52</td><td></td><td>50</td><td>49</td><td></td><td>47</td><td></td><td></td><td></td><td></td><td></td><td>41</td><td></td><td></td><td>38</td><td>37</td><td>36</td><td>34</td><td>33</td></tr> <tr><td></td><td></td><td></td><td></td><td></td><td>32</td><td>31</td><td>30</td><td>29</td><td>28</td><td>27</td><td></td><td></td><td>24</td><td>23</td><td></td><td>20</td><td>19</td><td>18</td><td>17</td></tr> <tr><td></td><td></td><td></td><td></td><td></td><td>16</td><td></td><td></td><td>13</td><td>12</td><td>11</td><td>10</td><td>9</td><td></td><td></td><td></td><td></td><td></td><td>2</td><td>1</td></tr> </table>		71		69	68			65	64	63		61		59	58	56			52		50	49		47						41			38	37	36	34	33						32	31	30	29	28	27			24	23		20	19	18	17						16			13	12	11	10	9						2	1					
	71		69	68			65	64	63		61		59	58	56																																																																									
52		50	49		47						41			38	37	36	34	33																																																																						
					32	31	30	29	28	27			24	23		20	19	18	17																																																																					
					16			13	12	11	10	9						2	1																																																																					
AVAILABLE	NOT APPLICABLE	34566-6603	0	H	ST GRY	<table border="1"> <tr><td></td><td>79</td><td>78</td><td>77</td><td>76</td><td>75</td><td>74</td><td>73</td><td>72</td><td>71</td><td>70</td><td>69</td><td>68</td><td></td><td>66</td><td>65</td><td>64</td><td>63</td><td></td><td>61</td></tr> <tr><td>60</td><td>59</td><td>58</td><td>57</td><td>56</td><td></td><td></td><td>53</td><td>52</td><td></td><td>50</td><td></td><td></td><td></td><td></td><td></td><td>44</td><td>43</td><td></td><td>41</td></tr> <tr><td>40</td><td>39</td><td>38</td><td>37</td><td></td><td>35</td><td>34</td><td>33</td><td>32</td><td></td><td>30</td><td>29</td><td></td><td></td><td>27</td><td>26</td><td></td><td></td><td></td><td>22</td><td>21</td></tr> <tr><td>20</td><td>19</td><td>18</td><td>17</td><td>16</td><td></td><td></td><td>13</td><td>12</td><td></td><td></td><td></td><td></td><td></td><td>8</td><td>6</td><td>5</td><td></td><td>3</td><td>2</td><td></td></tr> </table>		79	78	77	76	75	74	73	72	71	70	69	68		66	65	64	63		61	60	59	58	57	56			53	52		50						44	43		41	40	39	38	37		35	34	33	32		30	29			27	26				22	21	20	19	18	17	16			13	12						8	6	5		3	2	
	79	78	77	76	75	74	73	72	71	70	69	68		66	65	64	63		61																																																																					
60	59	58	57	56			53	52		50						44	43		41																																																																					
40	39	38	37		35	34	33	32		30	29			27	26				22	21																																																																				
20	19	18	17	16			13	12						8	6	5		3	2																																																																					
AVAILABLE	NOT APPLICABLE	34566-6703	0	H	ST GRY	<table border="1"> <tr><td></td><td>79</td><td>78</td><td>77</td><td>76</td><td>75</td><td>74</td><td>73</td><td>72</td><td>71</td><td>70</td><td>69</td><td>68</td><td></td><td>66</td><td>65</td><td>64</td><td>63</td><td></td><td>61</td></tr> <tr><td>60</td><td>59</td><td>58</td><td>57</td><td>56</td><td></td><td></td><td>53</td><td></td><td></td><td>50</td><td></td><td></td><td></td><td></td><td></td><td>44</td><td>43</td><td></td><td>41</td></tr> <tr><td>40</td><td>39</td><td>38</td><td>37</td><td></td><td>35</td><td>34</td><td>33</td><td>32</td><td></td><td>30</td><td>29</td><td></td><td></td><td>27</td><td>26</td><td></td><td></td><td></td><td>22</td><td>21</td></tr> <tr><td>20</td><td>19</td><td>18</td><td>17</td><td></td><td></td><td>14</td><td>13</td><td>12</td><td>11</td><td>10</td><td>9</td><td>8</td><td></td><td>6</td><td>5</td><td></td><td>3</td><td>2</td><td></td><td></td></tr> </table>		79	78	77	76	75	74	73	72	71	70	69	68		66	65	64	63		61	60	59	58	57	56			53			50						44	43		41	40	39	38	37		35	34	33	32		30	29			27	26				22	21	20	19	18	17			14	13	12	11	10	9	8		6	5		3	2		
	79	78	77	76	75	74	73	72	71	70	69	68		66	65	64	63		61																																																																					
60	59	58	57	56			53			50						44	43		41																																																																					
40	39	38	37		35	34	33	32		30	29			27	26				22	21																																																																				
20	19	18	17			14	13	12	11	10	9	8		6	5		3	2																																																																						

SEE NEXT PAGE FOR ADDITIONAL NUMBERS

<b>QUALITY SYMBOLS</b> 	THIS DRAWING CONTAINS INFORMATION THAT IS PROPRIETARY TO MOLEX ELECTRONIC TECHNOLOGIES, LLC AND SHOULD NOT BE USED WITHOUT WRITTEN PERMISSION										
	EC NO: 115716 DRWN: TYE CHKD: REV APPR: JDENG02	2017/04/12		2017/04/21		GENERAL TOLERANCES (UNLESS SPECIFIED)		DIMENSION UNITS	SCALE	 MX123 66/73/80CKT HRNS CONN ASSY PRODUCT CUSTOMER DRAWING	
		MM		1:1		ANGULAR TOL ± °		DRWN BY	DATE		
		4 PLACES ±		SKRAJENDRANA		2011/02/14		CHKD BY	DATE		
		3 PLACES ±		MVANSLAMBROU		2011/02/14		APPR BY	DATE		
		2 PLACES ±									
	1 PLACE ±										
	0 PLACES ±										
	DRAFT WHERE APPLICABLE MUST REMAIN WITHIN DIMENSIONS		DRAWING SIZE	THIRD ANGLE PROJECTION			D				
	G50		SERIES	MATERIAL NUMBER	CUSTOMER		DOCUMENT NUMBER		DOC TYPE	DOC PART	SHEET NUMBER
		34566	SEE BOM TABLE	GENERAL MARKET		SD-34566-001		PSD	000	10 OF 93	



STATUS	GM PART #	MATERIAL #	WIRE DRESS OPTION	KEY OPTION	COLOR (TPA)	NUMBERS INDICATE CAVITIES OPEN FOR CIRCUITS																																																																																		
AVAILABLE	NOT APPLICABLE	34566-7603	0	B	ST GRY	<table border="1"> <tr><td></td><td></td><td></td><td>69</td><td>68</td><td></td><td>66</td><td></td><td></td><td></td><td></td><td></td><td></td><td></td><td>59</td><td>57</td><td></td><td>55</td><td></td><td>53</td></tr> <tr><td></td><td></td><td></td><td>49</td><td>48</td><td></td><td>46</td><td></td><td>44</td><td></td><td></td><td></td><td></td><td></td><td>39</td><td>37</td><td></td><td>35</td><td></td><td>33</td></tr> <tr><td colspan="3">73</td><td></td><td></td><td></td><td>29</td><td>28</td><td></td><td></td><td></td><td></td><td></td><td>23</td><td>21</td><td></td><td></td><td></td><td>18</td><td>17</td></tr> <tr><td></td><td></td><td></td><td></td><td></td><td></td><td>12</td><td>11</td><td>10</td><td></td><td></td><td></td><td></td><td>7</td><td></td><td></td><td></td><td></td><td></td><td></td></tr> </table>				69	68		66								59	57		55		53				49	48		46		44						39	37		35		33	73						29	28						23	21				18	17							12	11	10					7								
			69	68		66								59	57		55		53																																																																					
			49	48		46		44						39	37		35		33																																																																					
73						29	28						23	21				18	17																																																																					
						12	11	10					7																																																																											
AVAILABLE	NOT APPLICABLE	34566-7703	0	A	BLACK	<table border="1"> <tr><td>72</td><td>71</td><td>70</td><td>69</td><td>68</td><td>67</td><td>66</td><td></td><td>64</td><td>63</td><td>62</td><td></td><td>60</td><td>59</td><td></td><td></td><td></td><td>55</td><td>54</td><td>53</td></tr> <tr><td>52</td><td></td><td></td><td>49</td><td>48</td><td></td><td></td><td></td><td>44</td><td>43</td><td>42</td><td></td><td>40</td><td>39</td><td></td><td></td><td></td><td>35</td><td>34</td><td>33</td></tr> <tr><td colspan="3">73</td><td></td><td>32</td><td></td><td></td><td>29</td><td></td><td>27</td><td></td><td></td><td>24</td><td>23</td><td></td><td></td><td></td><td>19</td><td>18</td><td>17</td></tr> <tr><td></td><td></td><td></td><td>16</td><td></td><td></td><td>13</td><td>12</td><td>11</td><td></td><td></td><td>9</td><td>8</td><td>7</td><td>6</td><td>5</td><td>4</td><td>3</td><td>2</td><td>1</td></tr> </table>	72	71	70	69	68	67	66		64	63	62		60	59				55	54	53	52			49	48				44	43	42		40	39				35	34	33	73				32			29		27			24	23				19	18	17				16			13	12	11			9	8	7	6	5	4	3	2	1		
72	71	70	69	68	67	66		64	63	62		60	59				55	54	53																																																																					
52			49	48				44	43	42		40	39				35	34	33																																																																					
73				32			29		27			24	23				19	18	17																																																																					
			16			13	12	11			9	8	7	6	5	4	3	2	1																																																																					
AVAILABLE	NOT APPLICABLE	34566-7803	0	A	BLACK	<table border="1"> <tr><td>72</td><td>71</td><td>70</td><td></td><td>68</td><td></td><td>66</td><td></td><td>64</td><td>63</td><td>62</td><td>61</td><td>60</td><td>59</td><td></td><td></td><td></td><td>55</td><td>54</td><td>53</td></tr> <tr><td>52</td><td></td><td></td><td>49</td><td>48</td><td></td><td>46</td><td></td><td>44</td><td>43</td><td>42</td><td></td><td>40</td><td>39</td><td></td><td></td><td></td><td>35</td><td>34</td><td>33</td></tr> <tr><td colspan="3">73</td><td></td><td>32</td><td></td><td></td><td>29</td><td>28</td><td>27</td><td></td><td></td><td>24</td><td>23</td><td></td><td></td><td></td><td>19</td><td>18</td><td>17</td></tr> <tr><td></td><td></td><td></td><td>16</td><td></td><td>14</td><td>13</td><td>12</td><td>11</td><td></td><td></td><td>9</td><td>8</td><td>7</td><td>6</td><td></td><td></td><td>3</td><td>2</td><td>1</td></tr> </table>	72	71	70		68		66		64	63	62	61	60	59				55	54	53	52			49	48		46		44	43	42		40	39				35	34	33	73				32			29	28	27			24	23				19	18	17				16		14	13	12	11			9	8	7	6			3	2	1		
72	71	70		68		66		64	63	62	61	60	59				55	54	53																																																																					
52			49	48		46		44	43	42		40	39				35	34	33																																																																					
73				32			29	28	27			24	23				19	18	17																																																																					
			16		14	13	12	11			9	8	7	6			3	2	1																																																																					
AVAILABLE	NOT APPLICABLE	34566-7903	0	B	ST GRY	<table border="1"> <tr><td></td><td></td><td></td><td></td><td></td><td></td><td></td><td></td><td>64</td><td></td><td></td><td>61</td><td></td><td>59</td><td>57</td><td></td><td></td><td>55</td><td>54</td><td>53</td></tr> <tr><td></td><td></td><td></td><td></td><td></td><td></td><td></td><td></td><td></td><td></td><td>42</td><td></td><td></td><td>39</td><td></td><td></td><td></td><td>35</td><td></td><td>33</td></tr> <tr><td colspan="3">73</td><td></td><td></td><td></td><td></td><td></td><td></td><td></td><td></td><td></td><td></td><td>23</td><td></td><td></td><td>20</td><td>19</td><td></td><td></td></tr> <tr><td></td><td></td><td></td><td></td><td></td><td></td><td>15</td><td></td><td></td><td></td><td></td><td></td><td></td><td></td><td></td><td></td><td>4</td><td>3</td><td>2</td><td>1</td></tr> </table>									64			61		59	57			55	54	53											42			39				35		33	73													23			20	19									15										4	3	2	1		
								64			61		59	57			55	54	53																																																																					
										42			39				35		33																																																																					
73													23			20	19																																																																							
						15										4	3	2	1																																																																					
AVAILABLE	NOT APPLICABLE	34566-8003	0	A	BLACK	<table border="1"> <tr><td></td><td></td><td></td><td>69</td><td>68</td><td></td><td></td><td></td><td>65</td><td>64</td><td>63</td><td></td><td>61</td><td>60</td><td>59</td><td>58</td><td></td><td>56</td><td></td><td></td></tr> <tr><td>52</td><td></td><td>50</td><td>49</td><td>48</td><td>47</td><td></td><td></td><td></td><td></td><td></td><td></td><td>41</td><td></td><td></td><td>38</td><td>37</td><td>36</td><td></td><td>34</td><td>33</td></tr> <tr><td colspan="3">73</td><td></td><td>32</td><td>31</td><td>30</td><td>29</td><td>28</td><td>27</td><td></td><td></td><td>24</td><td>23</td><td></td><td></td><td>20</td><td>19</td><td>18</td><td>17</td></tr> <tr><td></td><td></td><td></td><td>16</td><td></td><td></td><td>13</td><td>12</td><td>11</td><td>10</td><td>9</td><td></td><td></td><td></td><td></td><td></td><td></td><td></td><td></td><td>1</td></tr> </table>				69	68				65	64	63		61	60	59	58		56			52		50	49	48	47							41			38	37	36		34	33	73				32	31	30	29	28	27			24	23			20	19	18	17				16			13	12	11	10	9									1	
			69	68				65	64	63		61	60	59	58		56																																																																							
52		50	49	48	47							41			38	37	36		34	33																																																																				
73				32	31	30	29	28	27			24	23			20	19	18	17																																																																					
			16			13	12	11	10	9									1																																																																					
AVAILABLE	NOT APPLICABLE	34566-8103	0	H	ST GRY	<table border="1"> <tr><td></td><td></td><td>78</td><td></td><td></td><td></td><td></td><td></td><td>72</td><td>71</td><td>70</td><td>69</td><td>68</td><td></td><td>66</td><td>65</td><td>64</td><td>63</td><td></td><td>61</td></tr> <tr><td>60</td><td>59</td><td>58</td><td>57</td><td>56</td><td></td><td></td><td></td><td>53</td><td>52</td><td>50</td><td></td><td></td><td></td><td></td><td></td><td>44</td><td>43</td><td></td><td>41</td></tr> <tr><td>40</td><td></td><td></td><td>37</td><td></td><td>35</td><td>34</td><td>33</td><td>32</td><td></td><td>30</td><td>29</td><td></td><td>27</td><td>26</td><td></td><td>24</td><td></td><td></td><td>22</td><td>21</td></tr> <tr><td>20</td><td>19</td><td>18</td><td>17</td><td>16</td><td></td><td></td><td>13</td><td>12</td><td></td><td></td><td></td><td></td><td>8</td><td>6</td><td>5</td><td></td><td>3</td><td>2</td><td></td><td></td></tr> </table>			78						72	71	70	69	68		66	65	64	63		61	60	59	58	57	56				53	52	50						44	43		41	40			37		35	34	33	32		30	29		27	26		24			22	21	20	19	18	17	16			13	12					8	6	5		3	2		
		78						72	71	70	69	68		66	65	64	63		61																																																																					
60	59	58	57	56				53	52	50						44	43		41																																																																					
40			37		35	34	33	32		30	29		27	26		24			22	21																																																																				
20	19	18	17	16			13	12					8	6	5		3	2																																																																						
AVAILABLE	NOT APPLICABLE	34566-8203	0	A	BLACK	<table border="1"> <tr><td></td><td></td><td>70</td><td></td><td></td><td>67</td><td>66</td><td></td><td></td><td></td><td></td><td></td><td></td><td></td><td>58</td><td>56</td><td>55</td><td>54</td><td></td><td></td></tr> <tr><td></td><td></td><td></td><td></td><td></td><td>47</td><td></td><td></td><td>44</td><td>43</td><td>42</td><td>41</td><td></td><td>39</td><td></td><td>37</td><td>36</td><td></td><td>34</td><td></td></tr> <tr><td colspan="3">73</td><td></td><td></td><td>31</td><td>30</td><td></td><td></td><td>27</td><td>25</td><td>24</td><td></td><td></td><td></td><td>21</td><td>20</td><td>19</td><td>18</td><td></td></tr> <tr><td></td><td></td><td></td><td></td><td></td><td></td><td>13</td><td></td><td></td><td></td><td></td><td></td><td></td><td></td><td>6</td><td>5</td><td>4</td><td>3</td><td></td><td>1</td></tr> </table>			70			67	66								58	56	55	54								47			44	43	42	41		39		37	36		34		73					31	30			27	25	24				21	20	19	18								13								6	5	4	3		1		
		70			67	66								58	56	55	54																																																																							
					47			44	43	42	41		39		37	36		34																																																																						
73					31	30			27	25	24				21	20	19	18																																																																						
						13								6	5	4	3		1																																																																					
AVAILABLE	NOT APPLICABLE	34566-8303	0	A	BLACK	<table border="1"> <tr><td>72</td><td>71</td><td></td><td>69</td><td>68</td><td>67</td><td>66</td><td></td><td>64</td><td>63</td><td>62</td><td></td><td></td><td>59</td><td>58</td><td>57</td><td>56</td><td></td><td>54</td><td>53</td></tr> <tr><td>52</td><td>51</td><td>50</td><td>49</td><td>48</td><td>47</td><td>46</td><td></td><td>44</td><td>43</td><td>42</td><td></td><td></td><td>39</td><td>38</td><td>37</td><td>36</td><td>35</td><td>34</td><td>33</td></tr> <tr><td colspan="3">73</td><td></td><td>32</td><td>31</td><td>30</td><td>29</td><td></td><td>27</td><td></td><td></td><td>24</td><td>23</td><td>22</td><td>21</td><td>20</td><td>19</td><td></td><td>17</td></tr> <tr><td></td><td></td><td></td><td></td><td>15</td><td>14</td><td>13</td><td>12</td><td>11</td><td></td><td></td><td>9</td><td>8</td><td>7</td><td>6</td><td>5</td><td>4</td><td>3</td><td>2</td><td>1</td></tr> </table>	72	71		69	68	67	66		64	63	62			59	58	57	56		54	53	52	51	50	49	48	47	46		44	43	42			39	38	37	36	35	34	33	73				32	31	30	29		27			24	23	22	21	20	19		17					15	14	13	12	11			9	8	7	6	5	4	3	2	1		
72	71		69	68	67	66		64	63	62			59	58	57	56		54	53																																																																					
52	51	50	49	48	47	46		44	43	42			39	38	37	36	35	34	33																																																																					
73				32	31	30	29		27			24	23	22	21	20	19		17																																																																					
				15	14	13	12	11			9	8	7	6	5	4	3	2	1																																																																					

SEE NEXT PAGE FOR ADDITIONAL NUMBERS

<b>QUALITY SYMBOLS</b> = 0 = 0 = 0 = 0 = 0 = 0 = 0 = 0 = 0	THIS DRAWING CONTAINS INFORMATION THAT IS PROPRIETARY TO MOLEX ELECTRONIC TECHNOLOGIES, LLC AND SHOULD NOT BE USED WITHOUT WRITTEN PERMISSION		DIMENSION UNITS <b>MM</b>		SCALE <b>1:1</b>				
	EC NO: 115716 DRWN: TYE CHKD: REV APPR: JDENG02	2017/04/12 2017/04/21	GENERAL TOLERANCES (UNLESS SPECIFIED) ANGULAR TOL ± °		DRWN BY <b>SKRAJENDRANA</b>				DATE <b>2011/02/14</b>
		4 PLACES ±		CHKD BY <b>MVANSLAMBROU</b>		DATE <b>2011/02/14</b>		<b>PRODUCT CUSTOMER DRAWING</b> SERIES: <b>34566</b> MATERIAL NUMBER: <b>SEE BOM TABLE</b> CUSTOMER: <b>GENERAL MARKET</b>	
		3 PLACES ±		APPR BY		DATE			
		2 PLACES ±		DRAFT WHERE APPLICABLE MUST REMAIN WITHIN DIMENSIONS		DRAWING SIZE: <b>D</b>		THIRD ANGLE PROJECTION	
		1 PLACE ±							
		0 PLACES ±							

STATUS	GM PART #	MATERIAL #	WIRE DRESS OPTION	KEY OPTION	COLOR (TPA)	NUMBERS INDICATE CAVITIES OPEN FOR CIRCUITS																																																																																								
AVAILABLE	NOT APPLICABLE	34566-8403	0	B	ST GRY	<table border="1"> <tr><td></td><td></td><td></td><td></td><td></td><td></td><td></td><td></td><td></td><td></td><td>65</td><td>64</td><td></td><td></td><td></td><td></td><td></td><td>59</td><td>57</td><td>55</td><td>53</td></tr> <tr><td></td><td></td><td>50</td><td>49</td><td>48</td><td></td><td>46</td><td></td><td></td><td></td><td></td><td></td><td></td><td></td><td></td><td></td><td></td><td>39</td><td>37</td><td>35</td><td>33</td></tr> <tr><td></td><td>73</td><td></td><td></td><td>32</td><td></td><td></td><td>29</td><td></td><td></td><td></td><td></td><td></td><td></td><td>24</td><td>23</td><td></td><td>21</td><td></td><td></td><td></td></tr> <tr><td></td><td></td><td></td><td></td><td>15</td><td></td><td></td><td></td><td></td><td></td><td></td><td></td><td></td><td></td><td>7</td><td>6</td><td>5</td><td>4</td><td>3</td><td></td><td></td></tr> </table>											65	64						59	57	55	53			50	49	48		46											39	37	35	33		73			32			29							24	23		21								15										7	6	5	4	3						
										65	64						59	57	55	53																																																																										
		50	49	48		46											39	37	35	33																																																																										
	73			32			29							24	23		21																																																																													
				15										7	6	5	4	3																																																																												
AVAILABLE	NOT APPLICABLE	34566-8503	0	B	ST GRY	<table border="1"> <tr><td>72</td><td>71</td><td>70</td><td>69</td><td>68</td><td>67</td><td>66</td><td>65</td><td>64</td><td>63</td><td>62</td><td></td><td></td><td></td><td>60</td><td>59</td><td></td><td></td><td></td><td>55</td><td>54</td><td>53</td></tr> <tr><td>52</td><td></td><td></td><td>49</td><td>48</td><td></td><td></td><td></td><td>44</td><td>43</td><td>42</td><td></td><td></td><td></td><td></td><td>39</td><td></td><td></td><td></td><td>35</td><td>34</td><td>33</td></tr> <tr><td></td><td></td><td>73</td><td></td><td></td><td></td><td>32</td><td></td><td></td><td>29</td><td>27</td><td></td><td></td><td></td><td>24</td><td>23</td><td></td><td></td><td></td><td>19</td><td>18</td><td>17</td></tr> <tr><td></td><td></td><td></td><td></td><td></td><td></td><td></td><td></td><td>13</td><td>12</td><td>11</td><td></td><td></td><td>9</td><td>8</td><td>7</td><td>6</td><td>5</td><td>4</td><td>3</td><td>2</td><td>1</td></tr> </table>	72	71	70	69	68	67	66	65	64	63	62				60	59				55	54	53	52			49	48				44	43	42					39				35	34	33			73				32			29	27				24	23				19	18	17									13	12	11			9	8	7	6	5	4	3	2	1
72	71	70	69	68	67	66	65	64	63	62				60	59				55	54	53																																																																									
52			49	48				44	43	42					39				35	34	33																																																																									
		73				32			29	27				24	23				19	18	17																																																																									
								13	12	11			9	8	7	6	5	4	3	2	1																																																																									
AVAILABLE	NOT APPLICABLE	34566-8603	0	A	BLACK	<table border="1"> <tr><td></td><td></td><td></td><td>69</td><td>68</td><td></td><td>66</td><td></td><td></td><td></td><td></td><td></td><td></td><td></td><td></td><td>59</td><td>57</td><td></td><td></td><td>55</td><td>53</td></tr> <tr><td></td><td></td><td></td><td>49</td><td>48</td><td></td><td>46</td><td></td><td>44</td><td></td><td></td><td></td><td></td><td></td><td></td><td>39</td><td>38</td><td>37</td><td></td><td>35</td><td>33</td></tr> <tr><td></td><td></td><td>73</td><td></td><td></td><td></td><td></td><td></td><td>29</td><td>28</td><td></td><td></td><td></td><td></td><td></td><td>23</td><td>21</td><td></td><td></td><td>18</td><td>17</td></tr> <tr><td></td><td></td><td></td><td></td><td></td><td></td><td></td><td></td><td></td><td>12</td><td>11</td><td>10</td><td></td><td></td><td>7</td><td></td><td></td><td></td><td></td><td></td><td></td></tr> </table>				69	68		66									59	57			55	53				49	48		46		44							39	38	37		35	33			73						29	28						23	21			18	17										12	11	10			7										
			69	68		66									59	57			55	53																																																																										
			49	48		46		44							39	38	37		35	33																																																																										
		73						29	28						23	21			18	17																																																																										
									12	11	10			7																																																																																
AVAILABLE	NOT APPLICABLE	34566-8703	0	B	ST GRY	<table border="1"> <tr><td></td><td></td><td></td><td>69</td><td>68</td><td></td><td>66</td><td></td><td>64</td><td></td><td></td><td></td><td></td><td></td><td>59</td><td>57</td><td></td><td></td><td>55</td><td>53</td></tr> <tr><td></td><td></td><td>50</td><td>49</td><td>48</td><td>47</td><td></td><td></td><td>44</td><td></td><td></td><td></td><td></td><td></td><td>39</td><td>37</td><td></td><td></td><td>35</td><td>33</td></tr> <tr><td></td><td></td><td>73</td><td></td><td></td><td></td><td></td><td></td><td>29</td><td>28</td><td></td><td></td><td></td><td></td><td>23</td><td>21</td><td></td><td></td><td></td><td>17</td></tr> <tr><td></td><td></td><td></td><td></td><td></td><td></td><td>15</td><td></td><td></td><td>12</td><td>11</td><td>10</td><td></td><td></td><td>7</td><td>6</td><td>5</td><td>4</td><td>3</td><td></td><td></td></tr> </table>				69	68		66		64						59	57			55	53			50	49	48	47			44						39	37			35	33			73						29	28					23	21				17							15			12	11	10			7	6	5	4	3									
			69	68		66		64						59	57			55	53																																																																											
		50	49	48	47			44						39	37			35	33																																																																											
		73						29	28					23	21				17																																																																											
						15			12	11	10			7	6	5	4	3																																																																												
AVAILABLE	NOT APPLICABLE	34566-8803	0	B	ST GRY	<table border="1"> <tr><td></td><td></td><td></td><td></td><td>68</td><td>67</td><td>66</td><td>65</td><td></td><td></td><td></td><td></td><td></td><td></td><td>59</td><td>58</td><td>57</td><td></td><td></td><td>54</td><td>53</td></tr> <tr><td></td><td>51</td><td>50</td><td>49</td><td>48</td><td></td><td>46</td><td>45</td><td></td><td>43</td><td>42</td><td></td><td></td><td>40</td><td>39</td><td>38</td><td>37</td><td></td><td></td><td></td><td>33</td></tr> <tr><td></td><td></td><td>73</td><td></td><td></td><td></td><td>32</td><td>31</td><td>30</td><td></td><td></td><td></td><td>26</td><td>24</td><td>23</td><td>22</td><td></td><td>20</td><td></td><td></td><td></td></tr> <tr><td></td><td></td><td></td><td></td><td></td><td></td><td>16</td><td></td><td></td><td>13</td><td></td><td>10</td><td>9</td><td>8</td><td>7</td><td>6</td><td>5</td><td>4</td><td></td><td></td><td></td></tr> </table>					68	67	66	65							59	58	57			54	53		51	50	49	48		46	45		43	42			40	39	38	37				33			73				32	31	30				26	24	23	22		20										16			13		10	9	8	7	6	5	4							
				68	67	66	65							59	58	57			54	53																																																																										
	51	50	49	48		46	45		43	42			40	39	38	37				33																																																																										
		73				32	31	30				26	24	23	22		20																																																																													
						16			13		10	9	8	7	6	5	4																																																																													
AVAILABLE	NOT APPLICABLE	34566-8903	0	H	ST GRY	<table border="1"> <tr><td></td><td></td><td>78</td><td></td><td></td><td></td><td></td><td></td><td></td><td>71</td><td>70</td><td>69</td><td>68</td><td>67</td><td>66</td><td>65</td><td>64</td><td>63</td><td></td><td></td><td>61</td></tr> <tr><td></td><td></td><td>58</td><td>57</td><td>56</td><td></td><td></td><td>53</td><td>52</td><td>51</td><td>50</td><td></td><td></td><td></td><td></td><td></td><td>44</td><td>43</td><td></td><td></td><td>41</td></tr> <tr><td>40</td><td></td><td></td><td>37</td><td></td><td>35</td><td>34</td><td>33</td><td>32</td><td>30</td><td>29</td><td></td><td>27</td><td>26</td><td></td><td></td><td></td><td></td><td>22</td><td>21</td><td></td></tr> <tr><td>20</td><td>19</td><td>18</td><td>17</td><td>16</td><td></td><td>14</td><td></td><td>12</td><td>10</td><td>9</td><td>8</td><td>7</td><td>6</td><td>5</td><td></td><td></td><td></td><td>3</td><td>2</td><td>1</td></tr> </table>			78							71	70	69	68	67	66	65	64	63			61			58	57	56			53	52	51	50						44	43			41	40			37		35	34	33	32	30	29		27	26					22	21		20	19	18	17	16		14		12	10	9	8	7	6	5				3	2	1				
		78							71	70	69	68	67	66	65	64	63			61																																																																										
		58	57	56			53	52	51	50						44	43			41																																																																										
40			37		35	34	33	32	30	29		27	26					22	21																																																																											
20	19	18	17	16		14		12	10	9	8	7	6	5				3	2	1																																																																										
AVAILABLE	NOT APPLICABLE	34566-9003	0	B	ST GRY	<table border="1"> <tr><td></td><td></td><td></td><td>69</td><td>68</td><td></td><td>66</td><td></td><td></td><td></td><td></td><td></td><td></td><td></td><td></td><td>59</td><td>57</td><td></td><td></td><td>55</td><td>53</td></tr> <tr><td></td><td></td><td></td><td>49</td><td>48</td><td></td><td>46</td><td></td><td>44</td><td></td><td></td><td></td><td></td><td></td><td></td><td>39</td><td>37</td><td></td><td></td><td>35</td><td>33</td></tr> <tr><td></td><td></td><td>73</td><td></td><td></td><td></td><td></td><td></td><td>29</td><td>28</td><td></td><td></td><td></td><td></td><td>23</td><td>21</td><td></td><td></td><td></td><td>18</td><td></td></tr> <tr><td></td><td></td><td></td><td></td><td></td><td></td><td></td><td></td><td></td><td>11</td><td>10</td><td></td><td></td><td>7</td><td></td><td></td><td></td><td></td><td></td><td></td><td></td></tr> </table>				69	68		66									59	57			55	53				49	48		46		44							39	37			35	33			73						29	28					23	21				18											11	10			7											
			69	68		66									59	57			55	53																																																																										
			49	48		46		44							39	37			35	33																																																																										
		73						29	28					23	21				18																																																																											
									11	10			7																																																																																	
AVAILABLE	NOT APPLICABLE	34566-9103	0	A	BLACK	<table border="1"> <tr><td></td><td></td><td></td><td></td><td>68</td><td></td><td></td><td>65</td><td></td><td>63</td><td></td><td>61</td><td></td><td></td><td>59</td><td>58</td><td></td><td></td><td>56</td><td></td><td>53</td></tr> <tr><td>52</td><td>51</td><td>50</td><td></td><td></td><td>47</td><td></td><td></td><td></td><td></td><td></td><td>41</td><td></td><td></td><td></td><td>38</td><td>37</td><td>36</td><td>35</td><td>34</td><td>33</td></tr> <tr><td></td><td></td><td>73</td><td></td><td></td><td>32</td><td>31</td><td>30</td><td>29</td><td>28</td><td>27</td><td></td><td>25</td><td>24</td><td>23</td><td>22</td><td>21</td><td>20</td><td>19</td><td>18</td><td>17</td></tr> <tr><td></td><td></td><td></td><td></td><td></td><td>16</td><td>15</td><td>14</td><td>13</td><td>12</td><td>11</td><td>10</td><td>9</td><td></td><td></td><td></td><td></td><td></td><td></td><td></td><td>1</td></tr> </table>					68			65		63		61			59	58			56		53	52	51	50			47						41				38	37	36	35	34	33			73			32	31	30	29	28	27		25	24	23	22	21	20	19	18	17						16	15	14	13	12	11	10	9								1				
				68			65		63		61			59	58			56		53																																																																										
52	51	50			47						41				38	37	36	35	34	33																																																																										
		73			32	31	30	29	28	27		25	24	23	22	21	20	19	18	17																																																																										
					16	15	14	13	12	11	10	9								1																																																																										

SEE NEXT PAGE FOR ADDITIONAL NUMBERS

<b>QUALITY SYMBOLS</b>	THIS DRAWING CONTAINS INFORMATION THAT IS PROPRIETARY TO MOLEX ELECTRONIC TECHNOLOGIES, LLC AND SHOULD NOT BE USED WITHOUT WRITTEN PERMISSION									
▽ = 0	2017/04/12	GENERAL TOLERANCES (UNLESS SPECIFIED)		DIMENSION UNITS	SCALE					
▽ = 0	2017/04/21	ANGULAR TOL ± °		MM	1:1					
▽ = 0		4 PLACES ±	DRWN BY	DATE						
▽ = 0		3 PLACES ±	SKRAJENDRANA	2011/02/14						
▽ = 0		2 PLACES ±	CHKD BY	DATE						
▽ = 0		1 PLACE ±	MVANSLAMBROU	2011/02/14						
▽ = 0		0 PLACES ±	APPR BY	DATE						
▽ = 0	EC NO: 115716	DRWN: TYE	CHKD: JDENGO2	REV: APPR: JDENGO2		DRAWING SIZE	THIRD ANGLE PROJECTION	SERIES	MATERIAL NUMBER	CUSTOMER
▽ = 0	G50					D	☎	34566	SEE BOM TABLE	GENERAL MARKET
								DOCUMENT NUMBER	DOC TYPE	DOC PART   SHEET NUMBER
								SD-34566-001	PSD	000   13 OF 93

STATUS	GM PART #	MATERIAL #	WIRE DRESS OPTION	KEY OPTION	COLOR (TPA)	NUMBERS INDICATE CAVITIES OPEN FOR CIRCUITS																																																																															
AVAILABLE	NOT APPLICABLE	34566-9203	0	A	BLACK	<table border="1"> <tr><td>72</td><td>71</td><td>70</td><td>69</td><td>68</td><td>67</td><td>66</td><td></td><td>64</td><td>63</td><td>62</td><td></td><td>60</td><td>59</td><td></td><td></td><td>55</td><td>54</td><td>53</td></tr> <tr><td>52</td><td></td><td></td><td>49</td><td>48</td><td></td><td></td><td></td><td>44</td><td>43</td><td>42</td><td></td><td>40</td><td>39</td><td>38</td><td></td><td>35</td><td>34</td><td>33</td></tr> <tr><td colspan="3">73</td><td></td><td></td><td>30</td><td>29</td><td>28</td><td>27</td><td></td><td></td><td>24</td><td>23</td><td></td><td></td><td>19</td><td>18</td><td>17</td></tr> <tr><td></td><td></td><td></td><td>16</td><td></td><td></td><td>13</td><td>12</td><td>11</td><td></td><td>9</td><td>8</td><td>7</td><td>6</td><td>5</td><td>4</td><td>3</td><td>2</td><td>1</td></tr> </table>	72	71	70	69	68	67	66		64	63	62		60	59			55	54	53	52			49	48				44	43	42		40	39	38		35	34	33	73					30	29	28	27			24	23			19	18	17				16			13	12	11		9	8	7	6	5	4	3	2	1				
72	71	70	69	68	67	66		64	63	62		60	59			55	54	53																																																																			
52			49	48				44	43	42		40	39	38		35	34	33																																																																			
73					30	29	28	27			24	23			19	18	17																																																																				
			16			13	12	11		9	8	7	6	5	4	3	2	1																																																																			
AVAILABLE	NOT APPLICABLE	34566-9303	0	A	BLACK	<table border="1"> <tr><td>72</td><td>71</td><td></td><td>69</td><td>68</td><td>67</td><td>66</td><td></td><td>64</td><td>63</td><td>62</td><td></td><td>59</td><td>58</td><td>57</td><td>56</td><td>55</td><td>54</td><td>53</td></tr> <tr><td>52</td><td>51</td><td>50</td><td>49</td><td>48</td><td>47</td><td>46</td><td></td><td>44</td><td>43</td><td>42</td><td></td><td>39</td><td>38</td><td>37</td><td>36</td><td>35</td><td>34</td><td>33</td></tr> <tr><td colspan="3">73</td><td></td><td>32</td><td>31</td><td>30</td><td>29</td><td>27</td><td></td><td></td><td>24</td><td>23</td><td>22</td><td>21</td><td>20</td><td>19</td><td>18</td><td>17</td></tr> <tr><td></td><td></td><td></td><td></td><td>15</td><td>14</td><td>13</td><td>12</td><td>11</td><td></td><td>9</td><td>8</td><td>7</td><td>6</td><td>5</td><td>4</td><td>3</td><td>2</td><td>1</td></tr> </table>	72	71		69	68	67	66		64	63	62		59	58	57	56	55	54	53	52	51	50	49	48	47	46		44	43	42		39	38	37	36	35	34	33	73				32	31	30	29	27			24	23	22	21	20	19	18	17					15	14	13	12	11		9	8	7	6	5	4	3	2	1			
72	71		69	68	67	66		64	63	62		59	58	57	56	55	54	53																																																																			
52	51	50	49	48	47	46		44	43	42		39	38	37	36	35	34	33																																																																			
73				32	31	30	29	27			24	23	22	21	20	19	18	17																																																																			
				15	14	13	12	11		9	8	7	6	5	4	3	2	1																																																																			
AVAILABLE	NOT APPLICABLE	34566-9403	0	B	ST GRV	<table border="1"> <tr><td></td><td></td><td></td><td></td><td>68</td><td>67</td><td>66</td><td>65</td><td></td><td></td><td></td><td></td><td>59</td><td>58</td><td>57</td><td></td><td></td><td>54</td><td>53</td></tr> <tr><td></td><td>51</td><td>50</td><td>49</td><td>48</td><td></td><td>46</td><td>45</td><td></td><td>43</td><td>42</td><td>41</td><td>40</td><td>39</td><td>38</td><td>37</td><td></td><td>35</td><td>33</td></tr> <tr><td colspan="3">73</td><td></td><td>32</td><td>31</td><td>30</td><td></td><td></td><td></td><td>26</td><td>24</td><td>23</td><td>22</td><td></td><td>20</td><td></td><td></td><td></td></tr> <tr><td></td><td></td><td></td><td></td><td>16</td><td></td><td></td><td>13</td><td></td><td></td><td>10</td><td>9</td><td>8</td><td>7</td><td>6</td><td>5</td><td>4</td><td></td><td></td></tr> </table>					68	67	66	65					59	58	57			54	53		51	50	49	48		46	45		43	42	41	40	39	38	37		35	33	73				32	31	30				26	24	23	22		20								16			13			10	9	8	7	6	5	4					
				68	67	66	65					59	58	57			54	53																																																																			
	51	50	49	48		46	45		43	42	41	40	39	38	37		35	33																																																																			
73				32	31	30				26	24	23	22		20																																																																						
				16			13			10	9	8	7	6	5	4																																																																					
AVAILABLE	NOT APPLICABLE	34566-9503	0	A	BLACK	<table border="1"> <tr><td>72</td><td>71</td><td>70</td><td>69</td><td>68</td><td></td><td></td><td>65</td><td>64</td><td>63</td><td></td><td>61</td><td></td><td>59</td><td>58</td><td>57</td><td>56</td><td></td><td></td></tr> <tr><td>52</td><td>51</td><td></td><td>49</td><td></td><td>47</td><td></td><td></td><td></td><td></td><td></td><td>41</td><td></td><td></td><td>38</td><td>37</td><td>36</td><td></td><td>34</td><td>33</td></tr> <tr><td colspan="3">73</td><td></td><td>32</td><td>31</td><td>30</td><td>29</td><td>28</td><td>27</td><td></td><td></td><td>24</td><td>23</td><td></td><td></td><td>20</td><td>19</td><td>18</td><td>17</td></tr> <tr><td></td><td></td><td></td><td></td><td>16</td><td></td><td></td><td>13</td><td>12</td><td>11</td><td>10</td><td>9</td><td></td><td></td><td></td><td></td><td></td><td></td><td></td><td>1</td></tr> </table>	72	71	70	69	68			65	64	63		61		59	58	57	56			52	51		49		47						41			38	37	36		34	33	73				32	31	30	29	28	27			24	23			20	19	18	17					16			13	12	11	10	9								1
72	71	70	69	68			65	64	63		61		59	58	57	56																																																																					
52	51		49		47						41			38	37	36		34	33																																																																		
73				32	31	30	29	28	27			24	23			20	19	18	17																																																																		
				16			13	12	11	10	9								1																																																																		
AVAILABLE	NOT APPLICABLE	34566-9603	0	A	BLACK	<table border="1"> <tr><td></td><td>71</td><td>70</td><td>69</td><td>68</td><td></td><td>66</td><td>65</td><td>64</td><td>63</td><td></td><td>61</td><td></td><td>59</td><td>58</td><td>57</td><td>56</td><td></td><td></td></tr> <tr><td>52</td><td></td><td>50</td><td>49</td><td></td><td>47</td><td></td><td></td><td></td><td></td><td></td><td>41</td><td></td><td></td><td>38</td><td>37</td><td>36</td><td>35</td><td>34</td><td>33</td></tr> <tr><td colspan="3">73</td><td></td><td>32</td><td>31</td><td>30</td><td>29</td><td>28</td><td>27</td><td></td><td></td><td>24</td><td>23</td><td></td><td></td><td>20</td><td>19</td><td>18</td><td>17</td></tr> <tr><td></td><td></td><td></td><td></td><td>16</td><td>15</td><td>14</td><td>13</td><td>12</td><td>11</td><td>10</td><td>9</td><td></td><td></td><td></td><td></td><td></td><td></td><td></td><td>1</td></tr> </table>		71	70	69	68		66	65	64	63		61		59	58	57	56			52		50	49		47						41			38	37	36	35	34	33	73				32	31	30	29	28	27			24	23			20	19	18	17					16	15	14	13	12	11	10	9								1
	71	70	69	68		66	65	64	63		61		59	58	57	56																																																																					
52		50	49		47						41			38	37	36	35	34	33																																																																		
73				32	31	30	29	28	27			24	23			20	19	18	17																																																																		
				16	15	14	13	12	11	10	9								1																																																																		
AVAILABLE	NOT APPLICABLE	34566-9703	0	A	BLACK	<table border="1"> <tr><td>72</td><td>71</td><td>70</td><td>69</td><td>68</td><td></td><td></td><td>65</td><td>64</td><td>63</td><td></td><td>61</td><td></td><td>59</td><td></td><td>57</td><td>56</td><td></td><td></td></tr> <tr><td>52</td><td>51</td><td>50</td><td>49</td><td></td><td>47</td><td></td><td></td><td></td><td></td><td></td><td>41</td><td></td><td></td><td>38</td><td>37</td><td>36</td><td></td><td>34</td><td>33</td></tr> <tr><td colspan="3">73</td><td></td><td>32</td><td>31</td><td>30</td><td>29</td><td>28</td><td>27</td><td></td><td></td><td>24</td><td>23</td><td></td><td></td><td>20</td><td>19</td><td>18</td><td></td></tr> <tr><td></td><td></td><td></td><td></td><td>16</td><td></td><td></td><td>13</td><td>12</td><td>11</td><td>10</td><td>9</td><td></td><td></td><td></td><td></td><td>3</td><td>2</td><td>1</td><td></td></tr> </table>	72	71	70	69	68			65	64	63		61		59		57	56			52	51	50	49		47						41			38	37	36		34	33	73				32	31	30	29	28	27			24	23			20	19	18						16			13	12	11	10	9					3	2	1	
72	71	70	69	68			65	64	63		61		59		57	56																																																																					
52	51	50	49		47						41			38	37	36		34	33																																																																		
73				32	31	30	29	28	27			24	23			20	19	18																																																																			
				16			13	12	11	10	9					3	2	1																																																																			
AVAILABLE	NOT APPLICABLE	34566-9803	0	A	BLACK	<table border="1"> <tr><td>72</td><td>71</td><td>70</td><td>69</td><td>68</td><td></td><td></td><td>65</td><td>64</td><td>63</td><td></td><td>61</td><td></td><td>59</td><td></td><td>57</td><td>56</td><td></td><td></td></tr> <tr><td>52</td><td>51</td><td>50</td><td>49</td><td></td><td>47</td><td></td><td></td><td></td><td></td><td></td><td>41</td><td></td><td></td><td>38</td><td>37</td><td>36</td><td></td><td>34</td><td>33</td></tr> <tr><td colspan="3">73</td><td></td><td>32</td><td>31</td><td>30</td><td>29</td><td>28</td><td>27</td><td></td><td></td><td>24</td><td>23</td><td></td><td></td><td>20</td><td>19</td><td>18</td><td></td></tr> <tr><td></td><td></td><td></td><td></td><td>16</td><td></td><td></td><td>13</td><td>12</td><td>11</td><td>10</td><td>9</td><td></td><td></td><td></td><td></td><td></td><td></td><td></td><td>1</td></tr> </table>	72	71	70	69	68			65	64	63		61		59		57	56			52	51	50	49		47						41			38	37	36		34	33	73				32	31	30	29	28	27			24	23			20	19	18						16			13	12	11	10	9								1
72	71	70	69	68			65	64	63		61		59		57	56																																																																					
52	51	50	49		47						41			38	37	36		34	33																																																																		
73				32	31	30	29	28	27			24	23			20	19	18																																																																			
				16			13	12	11	10	9								1																																																																		
AVAILABLE	NOT APPLICABLE	34566-9903	0	A	BLACK	<table border="1"> <tr><td></td><td>71</td><td></td><td>69</td><td>68</td><td></td><td></td><td>65</td><td>64</td><td>63</td><td></td><td>61</td><td></td><td>59</td><td>58</td><td>57</td><td>56</td><td></td><td></td></tr> <tr><td>52</td><td></td><td>50</td><td>49</td><td></td><td>47</td><td></td><td></td><td></td><td></td><td></td><td>41</td><td></td><td></td><td>38</td><td>37</td><td>36</td><td></td><td>34</td><td>33</td></tr> <tr><td colspan="3">73</td><td></td><td>32</td><td>31</td><td>30</td><td>29</td><td>28</td><td>27</td><td></td><td></td><td>24</td><td>23</td><td></td><td></td><td>20</td><td>19</td><td>18</td><td>17</td></tr> <tr><td></td><td></td><td></td><td></td><td>16</td><td></td><td></td><td>13</td><td>12</td><td>11</td><td>10</td><td>9</td><td></td><td></td><td></td><td></td><td></td><td></td><td></td><td>1</td></tr> </table>		71		69	68			65	64	63		61		59	58	57	56			52		50	49		47						41			38	37	36		34	33	73				32	31	30	29	28	27			24	23			20	19	18	17					16			13	12	11	10	9								1
	71		69	68			65	64	63		61		59	58	57	56																																																																					
52		50	49		47						41			38	37	36		34	33																																																																		
73				32	31	30	29	28	27			24	23			20	19	18	17																																																																		
				16			13	12	11	10	9								1																																																																		

SEE NEXT PAGE FOR ADDITIONAL NUMBERS

<b>QUALITY SYMBOLS</b> = 0 = 0 = 0 = 0 = 0 = 0 = 0 = 0 = 0	THIS DRAWING CONTAINS INFORMATION THAT IS PROPRIETARY TO MOLEX ELECTRONIC TECHNOLOGIES, LLC AND SHOULD NOT BE USED WITHOUT WRITTEN PERMISSION		DIMENSION UNITS <b>MM</b>	SCALE <b>1:1</b>															
	EC NO: 115716 DRWN: TYE CHKD: JDENG02 REV: APPR: JDENG02	2017/04/12 2017/04/21	GENERAL TOLERANCES (UNLESS SPECIFIED) ANGULAR TOL ± ° 4 PLACES ± 3 PLACES ± 2 PLACES ± 1 PLACE ± 0 PLACES ± DRAFT WHERE APPLICABLE MUST REMAIN WITHIN DIMENSIONS	DRWN BY: SKRAJENDRANA DATE: 2011/02/14 CHKD BY: MVANSLAMBROU DATE: 2011/02/14 APPR BY:		PRODUCT CUSTOMER DRAWING SERIES: 34566 MATERIAL NUMBER: SEE BOM TABLE CUSTOMER: GENERAL MARKET													
RELEASE STATUS 19	RELEASE DATE 18	17	16	15	14	13	12	11	10	9	8	7	6	5	4	3	2	1	DOCUMENT NUMBER: SD-34566-001 DOC TYPE: PSD DOC PART: 000 SHEET NUMBER: 14 OF 93



STATUS	GM PART #	MATERIAL #	WIRE DRESS OPTION	KEY OPTION	COLOR (TPA)	NUMBERS INDICATE CAVITIES OPEN FOR CIRCUITS																																																																																
AVAILABLE	NOT APPLICABLE	34566-1013	0	A	BLACK	<table border="1"> <tr><td></td><td>71</td><td></td><td>69</td><td>68</td><td></td><td></td><td>65</td><td>64</td><td>63</td><td>61</td><td></td><td>59</td><td>58</td><td>57</td><td>56</td><td></td><td></td><td></td></tr> <tr><td>52</td><td></td><td>50</td><td>49</td><td></td><td>47</td><td></td><td></td><td></td><td></td><td>41</td><td></td><td></td><td>38</td><td>37</td><td>36</td><td></td><td>34</td><td>33</td></tr> <tr><td colspan="2">73</td><td></td><td></td><td>32</td><td>31</td><td>30</td><td>29</td><td>28</td><td>27</td><td></td><td></td><td>24</td><td>23</td><td></td><td></td><td>20</td><td>19</td><td>18</td><td>17</td></tr> <tr><td colspan="2"></td><td></td><td></td><td>16</td><td></td><td></td><td>13</td><td>12</td><td>11</td><td>10</td><td>9</td><td></td><td></td><td></td><td></td><td>3</td><td>2</td><td>1</td><td></td></tr> </table>		71		69	68			65	64	63	61		59	58	57	56				52		50	49		47					41			38	37	36		34	33	73				32	31	30	29	28	27			24	23			20	19	18	17					16			13	12	11	10	9					3	2	1			
	71		69	68			65	64	63	61		59	58	57	56																																																																							
52		50	49		47					41			38	37	36		34	33																																																																				
73				32	31	30	29	28	27			24	23			20	19	18	17																																																																			
				16			13	12	11	10	9					3	2	1																																																																				
AVAILABLE	NOT APPLICABLE	34566-1023	0	A	BLACK	<table border="1"> <tr><td></td><td></td><td>70</td><td></td><td></td><td>67</td><td>66</td><td>65</td><td></td><td></td><td></td><td></td><td></td><td>58</td><td>57</td><td></td><td>55</td><td>54</td><td></td></tr> <tr><td></td><td></td><td>50</td><td>49</td><td></td><td>47</td><td></td><td></td><td>44</td><td>43</td><td>42</td><td>41</td><td></td><td>39</td><td></td><td>37</td><td></td><td>35</td><td></td></tr> <tr><td colspan="2">73</td><td></td><td></td><td>32</td><td></td><td>30</td><td></td><td></td><td>27</td><td>25</td><td>24</td><td></td><td></td><td>21</td><td>20</td><td>19</td><td>18</td><td>17</td></tr> <tr><td colspan="2"></td><td></td><td></td><td>16</td><td>15</td><td></td><td>13</td><td></td><td></td><td>10</td><td>9</td><td>8</td><td></td><td>6</td><td>5</td><td></td><td>3</td><td>2</td><td>1</td></tr> </table>			70			67	66	65						58	57		55	54				50	49		47			44	43	42	41		39		37		35		73				32		30			27	25	24			21	20	19	18	17					16	15		13			10	9	8		6	5		3	2	1			
		70			67	66	65						58	57		55	54																																																																					
		50	49		47			44	43	42	41		39		37		35																																																																					
73				32		30			27	25	24			21	20	19	18	17																																																																				
				16	15		13			10	9	8		6	5		3	2	1																																																																			
AVAILABLE	NOT APPLICABLE	34566-1033	0	A	BLACK	<table border="1"> <tr><td>72</td><td></td><td>70</td><td></td><td></td><td>67</td><td>66</td><td>65</td><td></td><td></td><td></td><td></td><td></td><td>58</td><td>57</td><td></td><td>55</td><td>54</td><td></td></tr> <tr><td></td><td></td><td>50</td><td>49</td><td></td><td>47</td><td></td><td></td><td>44</td><td>43</td><td>42</td><td>41</td><td></td><td>39</td><td></td><td>37</td><td></td><td>35</td><td></td></tr> <tr><td colspan="2">73</td><td></td><td></td><td>32</td><td></td><td>30</td><td></td><td></td><td>27</td><td>26</td><td>25</td><td>24</td><td></td><td></td><td>21</td><td>20</td><td>19</td><td>18</td><td>17</td></tr> <tr><td colspan="2"></td><td></td><td></td><td>16</td><td>15</td><td></td><td>13</td><td></td><td></td><td>10</td><td>9</td><td>8</td><td></td><td>6</td><td>5</td><td></td><td>3</td><td>2</td><td>1</td></tr> </table>	72		70			67	66	65						58	57		55	54				50	49		47			44	43	42	41		39		37		35		73				32		30			27	26	25	24			21	20	19	18	17					16	15		13			10	9	8		6	5		3	2	1		
72		70			67	66	65						58	57		55	54																																																																					
		50	49		47			44	43	42	41		39		37		35																																																																					
73				32		30			27	26	25	24			21	20	19	18	17																																																																			
				16	15		13			10	9	8		6	5		3	2	1																																																																			
AVAILABLE	NOT APPLICABLE	34566-1043	0	B	ST GRAY	<table border="1"> <tr><td></td><td>71</td><td>70</td><td></td><td>68</td><td></td><td>66</td><td>65</td><td></td><td></td><td></td><td></td><td>59</td><td>58</td><td>57</td><td></td><td></td><td>54</td><td>53</td></tr> <tr><td></td><td>51</td><td>50</td><td>49</td><td>48</td><td></td><td>46</td><td>45</td><td></td><td>43</td><td></td><td>41</td><td>40</td><td>39</td><td>38</td><td>37</td><td>36</td><td>35</td><td></td><td>33</td></tr> <tr><td colspan="2">73</td><td></td><td></td><td>32</td><td>31</td><td>30</td><td></td><td></td><td></td><td></td><td></td><td>24</td><td>23</td><td>22</td><td></td><td>20</td><td></td><td></td><td></td></tr> <tr><td colspan="2"></td><td></td><td></td><td>16</td><td></td><td></td><td>13</td><td>12</td><td>11</td><td>10</td><td>9</td><td>8</td><td>7</td><td>6</td><td>5</td><td>4</td><td></td><td></td><td></td></tr> </table>		71	70		68		66	65					59	58	57			54	53		51	50	49	48		46	45		43		41	40	39	38	37	36	35		33	73				32	31	30						24	23	22		20								16			13	12	11	10	9	8	7	6	5	4				
	71	70		68		66	65					59	58	57			54	53																																																																				
	51	50	49	48		46	45		43		41	40	39	38	37	36	35		33																																																																			
73				32	31	30						24	23	22		20																																																																						
				16			13	12	11	10	9	8	7	6	5	4																																																																						
AVAILABLE	NOT APPLICABLE	34566-1053	0	H	ST GRAY	<table border="1"> <tr><td></td><td>79</td><td>78</td><td>77</td><td>76</td><td>75</td><td>74</td><td>73</td><td>72</td><td>71</td><td>70</td><td>69</td><td>68</td><td></td><td>66</td><td>65</td><td>64</td><td>63</td><td></td><td>61</td></tr> <tr><td>60</td><td>59</td><td>58</td><td>57</td><td>56</td><td></td><td></td><td>53</td><td>52</td><td></td><td>50</td><td></td><td></td><td></td><td></td><td></td><td>44</td><td>43</td><td></td><td>41</td></tr> <tr><td>40</td><td>39</td><td>38</td><td>37</td><td></td><td>35</td><td>34</td><td>33</td><td>32</td><td></td><td>30</td><td>29</td><td></td><td>27</td><td>26</td><td></td><td></td><td></td><td>22</td><td>21</td></tr> <tr><td>20</td><td>19</td><td>18</td><td>17</td><td>16</td><td></td><td>14</td><td>13</td><td>12</td><td>11</td><td></td><td>9</td><td>8</td><td></td><td>6</td><td>5</td><td></td><td>3</td><td>2</td><td></td></tr> </table>		79	78	77	76	75	74	73	72	71	70	69	68		66	65	64	63		61	60	59	58	57	56			53	52		50						44	43		41	40	39	38	37		35	34	33	32		30	29		27	26				22	21	20	19	18	17	16		14	13	12	11		9	8		6	5		3	2	
	79	78	77	76	75	74	73	72	71	70	69	68		66	65	64	63		61																																																																			
60	59	58	57	56			53	52		50						44	43		41																																																																			
40	39	38	37		35	34	33	32		30	29		27	26				22	21																																																																			
20	19	18	17	16		14	13	12	11		9	8		6	5		3	2																																																																				
AVAILABLE	NOT APPLICABLE	34566-1063	0	B	ST GRAY	<table border="1"> <tr><td></td><td></td><td></td><td></td><td></td><td></td><td></td><td>65</td><td></td><td></td><td></td><td></td><td>60</td><td>59</td><td></td><td>57</td><td>56</td><td>55</td><td></td><td>53</td></tr> <tr><td></td><td></td><td></td><td>49</td><td>48</td><td>47</td><td></td><td></td><td>44</td><td></td><td></td><td></td><td>40</td><td>39</td><td></td><td>37</td><td>36</td><td>35</td><td></td><td>33</td></tr> <tr><td colspan="2">73</td><td></td><td></td><td></td><td></td><td></td><td>29</td><td>28</td><td></td><td></td><td></td><td>24</td><td>23</td><td></td><td>21</td><td></td><td></td><td></td><td></td></tr> <tr><td colspan="2"></td><td></td><td></td><td></td><td></td><td></td><td></td><td></td><td></td><td></td><td></td><td></td><td></td><td></td><td></td><td></td><td></td><td></td><td>2</td></tr> </table>								65					60	59		57	56	55		53				49	48	47			44				40	39		37	36	35		33	73							29	28				24	23		21																								2
							65					60	59		57	56	55		53																																																																			
			49	48	47			44				40	39		37	36	35		33																																																																			
73							29	28				24	23		21																																																																							
																			2																																																																			
AVAILABLE	NOT APPLICABLE	34566-1073	0	A	BLACK	<table border="1"> <tr><td>72</td><td>71</td><td>70</td><td>69</td><td>68</td><td>67</td><td>66</td><td>65</td><td>64</td><td>63</td><td></td><td>61</td><td></td><td>59</td><td>58</td><td>57</td><td>56</td><td></td><td>54</td><td></td></tr> <tr><td></td><td></td><td>50</td><td>49</td><td>48</td><td>47</td><td></td><td></td><td></td><td></td><td></td><td>42</td><td>41</td><td></td><td>38</td><td>37</td><td>36</td><td></td><td>34</td><td>33</td></tr> <tr><td colspan="2">73</td><td></td><td></td><td>32</td><td>31</td><td>30</td><td>29</td><td>28</td><td>27</td><td>26</td><td></td><td>24</td><td>23</td><td></td><td></td><td>20</td><td>19</td><td>18</td><td></td></tr> <tr><td colspan="2"></td><td></td><td></td><td>16</td><td></td><td></td><td>13</td><td>12</td><td>11</td><td>10</td><td>9</td><td></td><td></td><td></td><td></td><td></td><td></td><td></td><td></td></tr> </table>	72	71	70	69	68	67	66	65	64	63		61		59	58	57	56		54				50	49	48	47						42	41		38	37	36		34	33	73				32	31	30	29	28	27	26		24	23			20	19	18						16			13	12	11	10	9								
72	71	70	69	68	67	66	65	64	63		61		59	58	57	56		54																																																																				
		50	49	48	47						42	41		38	37	36		34	33																																																																			
73				32	31	30	29	28	27	26		24	23			20	19	18																																																																				
				16			13	12	11	10	9																																																																											
AVAILABLE	NOT APPLICABLE	34566-1083	0	B	ST GRAY	<table border="1"> <tr><td></td><td></td><td></td><td></td><td>68</td><td>67</td><td>66</td><td>65</td><td>64</td><td></td><td></td><td></td><td></td><td>59</td><td>58</td><td>57</td><td></td><td>55</td><td>54</td><td>53</td></tr> <tr><td></td><td>51</td><td>50</td><td>49</td><td>48</td><td></td><td>46</td><td>45</td><td></td><td>43</td><td>42</td><td>41</td><td>40</td><td>39</td><td>38</td><td>37</td><td></td><td>35</td><td></td><td>33</td></tr> <tr><td colspan="2">73</td><td></td><td></td><td>32</td><td>31</td><td>30</td><td></td><td></td><td></td><td>26</td><td></td><td>24</td><td>23</td><td>22</td><td></td><td>20</td><td></td><td></td><td></td></tr> <tr><td colspan="2"></td><td></td><td></td><td>16</td><td></td><td></td><td>13</td><td></td><td></td><td>10</td><td>9</td><td>8</td><td>7</td><td>6</td><td>5</td><td>4</td><td>3</td><td>2</td><td></td></tr> </table>					68	67	66	65	64					59	58	57		55	54	53		51	50	49	48		46	45		43	42	41	40	39	38	37		35		33	73				32	31	30				26		24	23	22		20								16			13			10	9	8	7	6	5	4	3	2	
				68	67	66	65	64					59	58	57		55	54	53																																																																			
	51	50	49	48		46	45		43	42	41	40	39	38	37		35		33																																																																			
73				32	31	30				26		24	23	22		20																																																																						
				16			13			10	9	8	7	6	5	4	3	2																																																																				

SEE NEXT PAGE FOR ADDITIONAL NUMBERS

<b>QUALITY SYMBOLS</b> 	THIS DRAWING CONTAINS INFORMATION THAT IS PROPRIETARY TO MOLEX ELECTRONIC TECHNOLOGIES, LLC AND SHOULD NOT BE USED WITHOUT WRITTEN PERMISSION									
	2017/04/12	2017/04/21	GENERAL TOLERANCES (UNLESS SPECIFIED)		DIMENSION UNITS	SCALE				
	MM	1:1								
	DRWN BY	DATE	ANGULAR TOL ± °		DRWN BY	DATE	<b>MX123</b> <b>66/73/80CKT HRNS CONN ASSY</b>			
	SKRAJENDRANA	2011/02/14	4 PLACES ±		SKRAJENDRANA	2011/02/14				
	CHKD BY	DATE	3 PLACES ±		CHKD BY	DATE	<b>PRODUCT CUSTOMER DRAWING</b>			
	MVANSLAMBROU	2011/02/14	2 PLACES ±		MVANSLAMBROU	2011/02/14				
	APPR BY	DATE	1 PLACE ±		APPR BY	DATE	<b>GENERAL MARKET</b>			
			0 PLACES ±							
	EC NO: 115716	DRWN: TYE	CHKD: JDENG02	REV: APPR: JDENG02	DRAFT WHERE APPLICABLE MUST REMAIN WITHIN DIMENSIONS	DRAWING SIZE	THIRD ANGLE PROJECTION	SERIES	MATERIAL NUMBER	CUSTOMER
G50				D			34566	SEE BOM TABLE	GENERAL MARKET	
							DOCUMENT NUMBER	DOC TYPE	DOC PART	SHEET NUMBER
							SD-34566-001	PSD	000	15 OF 93

STATUS	GM PART #	MATERIAL #	WIRE DRESS OPTION	KEY OPTION	COLOR (TPA)	NUMBERS INDICATE CAVITIES OPEN FOR CIRCUITS																																																																																						
AVAILABLE	NOT APPLICABLE	34566-1093	0	A	BLACK	<table border="1"> <tr><td></td><td></td><td>70</td><td></td><td>68</td><td>67</td><td>66</td><td></td><td></td><td></td><td></td><td></td><td></td><td></td><td></td><td>58</td><td></td><td>56</td><td>55</td><td>54</td><td></td></tr> <tr><td></td><td></td><td></td><td>49</td><td></td><td>47</td><td></td><td></td><td>44</td><td>43</td><td>42</td><td>41</td><td></td><td></td><td>39</td><td></td><td>37</td><td>36</td><td></td><td>34</td><td></td></tr> <tr><td></td><td></td><td>73</td><td></td><td></td><td>31</td><td>30</td><td></td><td></td><td>27</td><td></td><td>25</td><td>24</td><td></td><td></td><td>21</td><td>20</td><td>19</td><td>18</td><td></td><td></td></tr> <tr><td></td><td></td><td></td><td></td><td></td><td></td><td></td><td>13</td><td></td><td></td><td></td><td></td><td></td><td></td><td></td><td>6</td><td>5</td><td>4</td><td>3</td><td></td><td>1</td></tr> </table>			70		68	67	66									58		56	55	54					49		47			44	43	42	41			39		37	36		34				73			31	30			27		25	24			21	20	19	18										13								6	5	4	3		1		
		70		68	67	66									58		56	55	54																																																																									
			49		47			44	43	42	41			39		37	36		34																																																																									
		73			31	30			27		25	24			21	20	19	18																																																																										
							13								6	5	4	3		1																																																																								
AVAILABLE	NOT APPLICABLE	34566-1123	0	H	ST GRY	<table border="1"> <tr><td></td><td></td><td>78</td><td></td><td></td><td></td><td></td><td></td><td></td><td>72</td><td>71</td><td>70</td><td>69</td><td>68</td><td>67</td><td>66</td><td>65</td><td>64</td><td>63</td><td>61</td><td></td></tr> <tr><td></td><td></td><td></td><td>58</td><td>57</td><td>56</td><td></td><td></td><td>53</td><td>52</td><td>51</td><td>50</td><td></td><td></td><td></td><td></td><td></td><td>44</td><td>43</td><td></td><td>41</td></tr> <tr><td>40</td><td></td><td></td><td>37</td><td></td><td>35</td><td>34</td><td>33</td><td>32</td><td></td><td>30</td><td>29</td><td></td><td>27</td><td>26</td><td></td><td></td><td></td><td></td><td>22</td><td>21</td></tr> <tr><td>20</td><td>19</td><td>18</td><td>17</td><td>16</td><td></td><td>14</td><td></td><td>12</td><td></td><td>10</td><td>9</td><td>8</td><td>7</td><td>6</td><td>5</td><td></td><td></td><td>3</td><td>2</td><td>1</td></tr> </table>			78							72	71	70	69	68	67	66	65	64	63	61					58	57	56			53	52	51	50						44	43		41	40			37		35	34	33	32		30	29		27	26					22	21	20	19	18	17	16		14		12		10	9	8	7	6	5			3	2	1		
		78							72	71	70	69	68	67	66	65	64	63	61																																																																									
			58	57	56			53	52	51	50						44	43		41																																																																								
40			37		35	34	33	32		30	29		27	26					22	21																																																																								
20	19	18	17	16		14		12		10	9	8	7	6	5			3	2	1																																																																								
AVAILABLE	NOT APPLICABLE	34566-1133	0	A	BLACK	<table border="1"> <tr><td></td><td></td><td>70</td><td></td><td>68</td><td>67</td><td>66</td><td></td><td></td><td></td><td></td><td></td><td></td><td></td><td>61</td><td></td><td>58</td><td>57</td><td></td><td>55</td><td>54</td></tr> <tr><td></td><td></td><td></td><td>49</td><td></td><td>47</td><td></td><td></td><td>45</td><td>44</td><td>43</td><td>42</td><td>41</td><td></td><td>39</td><td></td><td>37</td><td></td><td></td><td></td><td>34</td></tr> <tr><td></td><td></td><td>73</td><td></td><td></td><td>32</td><td></td><td>30</td><td></td><td></td><td>27</td><td></td><td>25</td><td>24</td><td></td><td></td><td>21</td><td>20</td><td>19</td><td>18</td><td></td></tr> <tr><td></td><td></td><td></td><td></td><td></td><td></td><td></td><td>13</td><td></td><td></td><td>11</td><td></td><td></td><td></td><td></td><td>6</td><td>5</td><td></td><td>3</td><td></td><td>1</td></tr> </table>			70		68	67	66								61		58	57		55	54				49		47			45	44	43	42	41		39		37				34			73			32		30			27		25	24			21	20	19	18									13			11					6	5		3		1		
		70		68	67	66								61		58	57		55	54																																																																								
			49		47			45	44	43	42	41		39		37				34																																																																								
		73			32		30			27		25	24			21	20	19	18																																																																									
							13			11					6	5		3		1																																																																								
AVAILABLE	NOT APPLICABLE	34566-1143	0	A	BLACK	<table border="1"> <tr><td></td><td></td><td></td><td></td><td>68</td><td></td><td></td><td></td><td>65</td><td>63</td><td>61</td><td></td><td>59</td><td>58</td><td></td><td>56</td><td></td><td></td><td></td><td>53</td><td></td></tr> <tr><td>52</td><td></td><td>50</td><td></td><td></td><td>47</td><td></td><td></td><td></td><td></td><td>41</td><td></td><td></td><td>38</td><td>37</td><td>36</td><td>35</td><td>34</td><td>33</td><td></td><td></td></tr> <tr><td></td><td></td><td>73</td><td></td><td></td><td>32</td><td>31</td><td>30</td><td>29</td><td>28</td><td>27</td><td></td><td>25</td><td>24</td><td>23</td><td>22</td><td>21</td><td>20</td><td>19</td><td>18</td><td>17</td></tr> <tr><td></td><td></td><td></td><td></td><td></td><td>16</td><td>15</td><td>14</td><td>13</td><td>12</td><td>11</td><td>10</td><td>9</td><td></td><td></td><td></td><td></td><td></td><td></td><td></td><td>1</td></tr> </table>					68				65	63	61		59	58		56				53		52		50			47					41			38	37	36	35	34	33					73			32	31	30	29	28	27		25	24	23	22	21	20	19	18	17						16	15	14	13	12	11	10	9								1		
				68				65	63	61		59	58		56				53																																																																									
52		50			47					41			38	37	36	35	34	33																																																																										
		73			32	31	30	29	28	27		25	24	23	22	21	20	19	18	17																																																																								
					16	15	14	13	12	11	10	9								1																																																																								
AVAILABLE	NOT APPLICABLE	34566-1153	0	A	BLACK	<table border="1"> <tr><td></td><td></td><td>70</td><td></td><td></td><td>67</td><td>66</td><td>65</td><td></td><td></td><td></td><td></td><td></td><td></td><td></td><td>58</td><td>57</td><td></td><td>55</td><td></td><td></td></tr> <tr><td></td><td></td><td></td><td>49</td><td></td><td>47</td><td></td><td></td><td>44</td><td>43</td><td>42</td><td>41</td><td></td><td></td><td>39</td><td></td><td>37</td><td></td><td></td><td></td><td></td></tr> <tr><td></td><td></td><td>73</td><td></td><td></td><td>32</td><td></td><td>30</td><td></td><td></td><td>27</td><td></td><td>25</td><td>24</td><td>23</td><td></td><td>21</td><td>20</td><td>19</td><td>18</td><td></td></tr> <tr><td></td><td></td><td></td><td></td><td></td><td></td><td></td><td>13</td><td></td><td></td><td></td><td></td><td>8</td><td></td><td></td><td>6</td><td>5</td><td></td><td>3</td><td></td><td>1</td></tr> </table>			70			67	66	65								58	57		55						49		47			44	43	42	41			39		37							73			32		30			27		25	24	23		21	20	19	18									13					8			6	5		3		1		
		70			67	66	65								58	57		55																																																																										
			49		47			44	43	42	41			39		37																																																																												
		73			32		30			27		25	24	23		21	20	19	18																																																																									
							13					8			6	5		3		1																																																																								
AVAILABLE	NOT APPLICABLE	34566-1163	0	H	ST GRY	<table border="1"> <tr><td></td><td></td><td>78</td><td></td><td></td><td></td><td></td><td></td><td></td><td>72</td><td>71</td><td>70</td><td>69</td><td>68</td><td></td><td>66</td><td>65</td><td>64</td><td>63</td><td>61</td><td></td></tr> <tr><td>60</td><td>59</td><td>58</td><td>57</td><td>56</td><td></td><td></td><td></td><td>53</td><td>52</td><td></td><td>50</td><td></td><td></td><td></td><td></td><td></td><td>44</td><td>43</td><td></td><td>41</td></tr> <tr><td>40</td><td></td><td></td><td>37</td><td></td><td>35</td><td>34</td><td></td><td>32</td><td></td><td>30</td><td>29</td><td></td><td>27</td><td>26</td><td></td><td></td><td></td><td></td><td>22</td><td>21</td></tr> <tr><td>20</td><td>19</td><td>18</td><td>17</td><td>16</td><td></td><td></td><td>13</td><td>12</td><td></td><td></td><td></td><td>8</td><td></td><td>6</td><td>5</td><td></td><td></td><td>3</td><td>2</td><td>1</td></tr> </table>			78							72	71	70	69	68		66	65	64	63	61		60	59	58	57	56				53	52		50						44	43		41	40			37		35	34		32		30	29		27	26					22	21	20	19	18	17	16			13	12				8		6	5			3	2	1		
		78							72	71	70	69	68		66	65	64	63	61																																																																									
60	59	58	57	56				53	52		50						44	43		41																																																																								
40			37		35	34		32		30	29		27	26					22	21																																																																								
20	19	18	17	16			13	12				8		6	5			3	2	1																																																																								
AVAILABLE	NOT APPLICABLE	34566-1173	0	A	BLACK	<table border="1"> <tr><td>72</td><td>71</td><td></td><td>69</td><td>68</td><td></td><td></td><td></td><td>65</td><td>64</td><td>63</td><td>62</td><td>61</td><td>60</td><td>59</td><td>58</td><td></td><td>56</td><td></td><td>54</td><td></td></tr> <tr><td>52</td><td></td><td>50</td><td>49</td><td>48</td><td>47</td><td></td><td></td><td>45</td><td></td><td></td><td>42</td><td>41</td><td></td><td></td><td>38</td><td>37</td><td>36</td><td></td><td>34</td><td>33</td></tr> <tr><td></td><td></td><td>73</td><td></td><td></td><td>32</td><td>31</td><td>30</td><td>29</td><td>28</td><td>27</td><td>26</td><td></td><td></td><td>24</td><td>23</td><td></td><td></td><td>20</td><td>19</td><td>18</td><td>17</td></tr> <tr><td></td><td></td><td></td><td></td><td></td><td>16</td><td></td><td></td><td>13</td><td>12</td><td>11</td><td>10</td><td>9</td><td></td><td></td><td></td><td></td><td></td><td></td><td></td><td></td><td></td></tr> </table>	72	71		69	68				65	64	63	62	61	60	59	58		56		54		52		50	49	48	47			45			42	41			38	37	36		34	33			73			32	31	30	29	28	27	26			24	23			20	19	18	17						16			13	12	11	10	9									
72	71		69	68				65	64	63	62	61	60	59	58		56		54																																																																									
52		50	49	48	47			45			42	41			38	37	36		34	33																																																																								
		73			32	31	30	29	28	27	26			24	23			20	19	18	17																																																																							
					16			13	12	11	10	9																																																																																
AVAILABLE	NOT APPLICABLE	34566-1183	0	B	ST GRY	<table border="1"> <tr><td></td><td></td><td></td><td></td><td></td><td></td><td></td><td>66</td><td>65</td><td>64</td><td></td><td>62</td><td></td><td></td><td>59</td><td>57</td><td></td><td>55</td><td></td><td>53</td><td></td></tr> <tr><td></td><td></td><td></td><td>49</td><td>48</td><td>47</td><td></td><td></td><td>44</td><td>42</td><td></td><td></td><td></td><td></td><td>39</td><td>37</td><td></td><td>35</td><td></td><td>33</td><td></td></tr> <tr><td></td><td></td><td>73</td><td></td><td></td><td></td><td></td><td></td><td>29</td><td>28</td><td></td><td></td><td></td><td></td><td>23</td><td>21</td><td></td><td></td><td></td><td></td><td>17</td></tr> <tr><td></td><td></td><td></td><td></td><td></td><td></td><td></td><td></td><td>12</td><td></td><td></td><td>9</td><td>7</td><td></td><td></td><td></td><td></td><td></td><td></td><td></td><td></td></tr> </table>								66	65	64		62			59	57		55		53					49	48	47			44	42					39	37		35		33				73						29	28					23	21					17									12			9	7										
							66	65	64		62			59	57		55		53																																																																									
			49	48	47			44	42					39	37		35		33																																																																									
		73						29	28					23	21					17																																																																								
								12			9	7																																																																																

<b>QUALITY SYMBOLS</b> = 0 = 0 = 0 = 0 = 0 = 0 = 0 = 0 = 0	THIS DRAWING CONTAINS INFORMATION THAT IS PROPRIETARY TO MOLEX ELECTRONIC TECHNOLOGIES, LLC AND SHOULD NOT BE USED WITHOUT WRITTEN PERMISSION										
	2017/04/12	2017/04/21	GENERAL TOLERANCES (UNLESS SPECIFIED)		DIMENSION UNITS	SCALE					
	DRWN: TYE	CHKD: JDENG02	ANGULAR TOL ± °		MM	1:1					
	EC NO: 115716	REV: APPR: JDENG02	4 PLACES ±	SKRAJENDRANA	DATE	2011/02/14					
			3 PLACES ±	CHKD BY	DATE						
			2 PLACES ±	MVANSLAMBROU	DATE	2011/02/14					
			1 PLACE ±	APPR BY	DATE						
			0 PLACES ±	DRAWING SIZE							THIRD ANGLE PROJECTION
			DRAFT WHERE APPLICABLE MUST REMAIN WITHIN DIMENSIONS			D					
			SERIES		MATERIAL NUMBER	CUSTOMER					
		34566		SEE BOM TABLE	GENERAL MARKET						
		DOCUMENT NUMBER		DOC TYPE	DOC PART	SHEET NUMBER					
		SD-34566-001		PSD	000	16 OF 93					

STATUS	GM PART #	MATERIAL #	WIRE DRESS OPTION	KEY OPTION	COLOR (TPA)	NUMBERS INDICATE CAVITIES OPEN FOR CIRCUITS																																																																																
AVAILABLE	NOT APPLICABLE	34566-1193	0	A	BLACK	<table border="1"> <tr><td>72</td><td>71</td><td></td><td>69</td><td>68</td><td>67</td><td>66</td><td></td><td>64</td><td>63</td><td>62</td><td></td><td>60</td><td>59</td><td></td><td></td><td></td><td></td><td>54</td><td>53</td></tr> <tr><td>52</td><td></td><td></td><td>49</td><td>48</td><td></td><td>46</td><td></td><td>44</td><td>43</td><td>42</td><td></td><td></td><td>39</td><td></td><td></td><td></td><td></td><td>34</td><td>33</td></tr> <tr><td></td><td></td><td>73</td><td></td><td>32</td><td></td><td></td><td>29</td><td>27</td><td></td><td></td><td></td><td></td><td>23</td><td></td><td></td><td></td><td></td><td></td><td>17</td></tr> <tr><td></td><td></td><td></td><td></td><td></td><td></td><td>14</td><td>13</td><td>12</td><td>11</td><td></td><td>9</td><td>8</td><td>7</td><td>6</td><td>5</td><td>4</td><td>3</td><td>2</td><td>1</td></tr> </table>	72	71		69	68	67	66		64	63	62		60	59					54	53	52			49	48		46		44	43	42			39					34	33			73		32			29	27					23						17							14	13	12	11		9	8	7	6	5	4	3	2	1
72	71		69	68	67	66		64	63	62		60	59					54	53																																																																			
52			49	48		46		44	43	42			39					34	33																																																																			
		73		32			29	27					23						17																																																																			
						14	13	12	11		9	8	7	6	5	4	3	2	1																																																																			
AVAILABLE	NOT APPLICABLE	34566-1213	0	A	BLACK	<table border="1"> <tr><td>72</td><td>71</td><td></td><td>69</td><td>68</td><td>67</td><td>66</td><td></td><td>64</td><td>63</td><td>62</td><td></td><td></td><td>59</td><td></td><td></td><td></td><td></td><td>54</td><td>53</td></tr> <tr><td>52</td><td></td><td></td><td></td><td>48</td><td></td><td>46</td><td></td><td>44</td><td>43</td><td>42</td><td></td><td></td><td>39</td><td></td><td></td><td></td><td></td><td>34</td><td>33</td></tr> <tr><td></td><td></td><td>73</td><td></td><td>32</td><td></td><td></td><td>29</td><td>27</td><td></td><td></td><td>24</td><td>23</td><td></td><td></td><td></td><td></td><td></td><td></td><td>17</td></tr> <tr><td></td><td></td><td></td><td></td><td></td><td></td><td>14</td><td>13</td><td>12</td><td>11</td><td></td><td>9</td><td>8</td><td></td><td></td><td>5</td><td>4</td><td>3</td><td>2</td><td>1</td></tr> </table>	72	71		69	68	67	66		64	63	62			59					54	53	52				48		46		44	43	42			39					34	33			73		32			29	27			24	23							17							14	13	12	11		9	8			5	4	3	2	1
72	71		69	68	67	66		64	63	62			59					54	53																																																																			
52				48		46		44	43	42			39					34	33																																																																			
		73		32			29	27			24	23							17																																																																			
						14	13	12	11		9	8			5	4	3	2	1																																																																			
AVAILABLE	NOT APPLICABLE	34566-1223	0	B	ST GRY	<table border="1"> <tr><td></td><td></td><td></td><td></td><td></td><td>67</td><td>66</td><td>65</td><td></td><td>63</td><td>62</td><td></td><td></td><td>59</td><td>57</td><td></td><td></td><td>55</td><td>53</td></tr> <tr><td></td><td></td><td></td><td></td><td>48</td><td></td><td></td><td></td><td></td><td>43</td><td>42</td><td></td><td></td><td>39</td><td>37</td><td></td><td></td><td>35</td><td>33</td></tr> <tr><td></td><td></td><td>73</td><td></td><td></td><td></td><td></td><td>29</td><td>27</td><td>26</td><td></td><td></td><td></td><td>23</td><td>21</td><td></td><td></td><td></td><td>17</td></tr> <tr><td></td><td></td><td></td><td></td><td></td><td></td><td></td><td>12</td><td></td><td></td><td>9</td><td></td><td>7</td><td></td><td></td><td></td><td></td><td></td><td></td></tr> </table>						67	66	65		63	62			59	57			55	53					48					43	42			39	37			35	33			73					29	27	26				23	21				17								12			9		7										
					67	66	65		63	62			59	57			55	53																																																																				
				48					43	42			39	37			35	33																																																																				
		73					29	27	26				23	21				17																																																																				
							12			9		7																																																																										
AVAILABLE	NOT APPLICABLE	34566-1233	0	B	ST GRY	<table border="1"> <tr><td></td><td></td><td></td><td></td><td></td><td></td><td>65</td><td></td><td></td><td>62</td><td></td><td></td><td>59</td><td>57</td><td></td><td></td><td>55</td><td>53</td></tr> <tr><td></td><td></td><td></td><td></td><td>48</td><td></td><td>46</td><td></td><td></td><td>42</td><td></td><td></td><td>39</td><td>37</td><td></td><td></td><td>35</td><td>33</td></tr> <tr><td></td><td></td><td>73</td><td></td><td></td><td></td><td></td><td>29</td><td></td><td>26</td><td></td><td></td><td>23</td><td>21</td><td></td><td></td><td></td><td>17</td></tr> <tr><td></td><td></td><td></td><td></td><td></td><td></td><td></td><td>12</td><td></td><td></td><td>9</td><td></td><td>7</td><td></td><td></td><td></td><td></td><td></td></tr> </table>							65			62			59	57			55	53					48		46			42			39	37			35	33			73					29		26			23	21				17								12			9		7													
						65			62			59	57			55	53																																																																					
				48		46			42			39	37			35	33																																																																					
		73					29		26			23	21				17																																																																					
							12			9		7																																																																										
AVAILABLE	NOT APPLICABLE	34566-1243	0	B	ST GRY	<table border="1"> <tr><td></td><td></td><td></td><td>50</td><td></td><td>48</td><td>46</td><td></td><td></td><td></td><td></td><td></td><td>59</td><td>57</td><td></td><td></td><td>55</td><td>53</td></tr> <tr><td></td><td></td><td></td><td></td><td></td><td></td><td></td><td></td><td></td><td></td><td></td><td></td><td>39</td><td>37</td><td></td><td></td><td>35</td><td>33</td></tr> <tr><td></td><td></td><td>73</td><td></td><td></td><td></td><td></td><td>29</td><td></td><td></td><td></td><td></td><td>23</td><td>21</td><td></td><td></td><td></td><td>17</td></tr> <tr><td></td><td></td><td></td><td></td><td></td><td>15</td><td></td><td></td><td>12</td><td></td><td></td><td></td><td>7</td><td>6</td><td>5</td><td>4</td><td>3</td><td></td></tr> </table>				50		48	46						59	57			55	53													39	37			35	33			73					29					23	21				17						15			12				7	6	5	4	3									
			50		48	46						59	57			55	53																																																																					
												39	37			35	33																																																																					
		73					29					23	21				17																																																																					
					15			12				7	6	5	4	3																																																																						
AVAILABLE	NOT APPLICABLE	34566-1253	9	B	ST GRY	<table border="1"> <tr><td></td><td></td><td></td><td></td><td></td><td></td><td></td><td>65</td><td></td><td></td><td></td><td></td><td>60</td><td>59</td><td>57</td><td></td><td>55</td><td>53</td></tr> <tr><td></td><td></td><td></td><td>49</td><td>48</td><td>46</td><td></td><td></td><td></td><td></td><td></td><td></td><td>40</td><td>39</td><td>37</td><td></td><td>35</td><td>33</td></tr> <tr><td></td><td></td><td>73</td><td></td><td></td><td></td><td></td><td></td><td></td><td></td><td></td><td></td><td>24</td><td>23</td><td>21</td><td></td><td></td><td>2</td></tr> </table>								65					60	59	57		55	53				49	48	46							40	39	37		35	33			73										24	23	21			2																										
							65					60	59	57		55	53																																																																					
			49	48	46							40	39	37		35	33																																																																					
		73										24	23	21			2																																																																					
AVAILABLE	NOT APPLICABLE	34566-1263	9	A	BLACK	<p>NUMBERS IN BOLD MUST USE SAE WIRE MEETING SAE J1128, WIRE SIZE (NO.20) OR (NO.18 MAX. O.D. OF 2.06 MM) PER G.M. DRAWING NUMBER 12582682.</p> <table border="1"> <tr><td>72</td><td>71</td><td></td><td>69</td><td>68</td><td>67</td><td>66</td><td></td><td>64</td><td>63</td><td>62</td><td></td><td></td><td>59</td><td></td><td></td><td></td><td>56</td><td></td><td>53</td></tr> <tr><td></td><td></td><td>50</td><td></td><td>48</td><td></td><td>46</td><td></td><td>44</td><td>43</td><td>42</td><td></td><td></td><td>39</td><td></td><td></td><td></td><td>36</td><td>35</td><td>33</td></tr> <tr><td></td><td></td><td>73</td><td></td><td>32</td><td></td><td>30</td><td>29</td><td>27</td><td></td><td></td><td></td><td>24</td><td>23</td><td></td><td></td><td></td><td>20</td><td></td><td>17</td></tr> <tr><td></td><td></td><td></td><td></td><td></td><td></td><td>14</td><td>13</td><td>12</td><td>11</td><td></td><td>9</td><td>8</td><td></td><td></td><td>5</td><td>4</td><td>3</td><td>2</td><td>1</td></tr> </table>	72	71		69	68	67	66		64	63	62			59				56		53			50		48		46		44	43	42			39				36	35	33			73		32		30	29	27				24	23				20		17							14	13	12	11		9	8			5	4	3	2	1
72	71		69	68	67	66		64	63	62			59				56		53																																																																			
		50		48		46		44	43	42			39				36	35	33																																																																			
		73		32		30	29	27				24	23				20		17																																																																			
						14	13	12	11		9	8			5	4	3	2	1																																																																			
AVAILABLE	NOT APPLICABLE	34566-1273	0	A	BLACK	<table border="1"> <tr><td></td><td></td><td>70</td><td>69</td><td>68</td><td></td><td></td><td>65</td><td>64</td><td>63</td><td></td><td>61</td><td></td><td>59</td><td>58</td><td>57</td><td>56</td><td></td><td></td><td></td></tr> <tr><td>52</td><td></td><td>50</td><td>49</td><td>48</td><td>47</td><td></td><td></td><td></td><td></td><td></td><td>41</td><td></td><td></td><td>38</td><td>37</td><td>36</td><td></td><td>34</td><td>33</td></tr> <tr><td></td><td></td><td>73</td><td></td><td>32</td><td>31</td><td>30</td><td>29</td><td>28</td><td>27</td><td></td><td></td><td>24</td><td>23</td><td></td><td></td><td>20</td><td>19</td><td>18</td><td></td></tr> <tr><td></td><td></td><td></td><td></td><td>16</td><td></td><td></td><td>13</td><td>12</td><td>11</td><td>10</td><td>9</td><td></td><td></td><td></td><td></td><td></td><td></td><td></td><td>1</td></tr> </table>			70	69	68			65	64	63		61		59	58	57	56				52		50	49	48	47						41			38	37	36		34	33			73		32	31	30	29	28	27			24	23			20	19	18						16			13	12	11	10	9								1
		70	69	68			65	64	63		61		59	58	57	56																																																																						
52		50	49	48	47						41			38	37	36		34	33																																																																			
		73		32	31	30	29	28	27			24	23			20	19	18																																																																				
				16			13	12	11	10	9								1																																																																			

<b>QUALITY SYMBOLS</b> 	THIS DRAWING CONTAINS INFORMATION THAT IS PROPRIETARY TO MOLEX ELECTRONIC TECHNOLOGIES, LLC AND SHOULD NOT BE USED WITHOUT WRITTEN PERMISSION										
	EC NO: 115716	DRWN: TYE	CHKD: JDENG02	REV: APPR: JDENG02	GENERAL TOLERANCES (UNLESS SPECIFIED)		DIMENSION UNITS	SCALE			
	2017/04/12	2017/04/21			MM	1:1					
	ANGULAR TOL ± °		DRWN BY	DATE	<b>MX123</b> <b>66/73/80CKT HRNS CONN ASSY</b>						
	4 PLACES ±	SKRAJENDRANA	2011/02/14								
	3 PLACES ±	CHKD BY	DATE	<b>PRODUCT CUSTOMER DRAWING</b>							
	2 PLACES ±	MVANSLAMBROU	2011/02/14								
	1 PLACE ±	APPR BY	DATE	<b>GENERAL MARKET</b>							
	0 PLACES ±										
	DRAFT WHERE APPLICABLE MUST REMAIN WITHIN DIMENSIONS	DRAWING SIZE	THIRD ANGLE PROJECTION	SERIES	MATERIAL NUMBER	CUSTOMER	<b>17 OF 93</b>				
D	⊕		34566	SEE BOM TABLE	GENERAL MARKET						
			DOCUMENT NUMBER	DOC TYPE	DOC PART						
			SD-34566-001	PSD	000						

STATUS	GM PART #	MATERIAL #	WIRE DRESS OPTION	KEY OPTION 	COLOR (TPA) 	NUMBERS INDICATE CAVITIES OPEN FOR CIRCUITS 																																																																																	
AVAILABLE	NOT APPLICABLE	34566-1283	0	A	BLACK	<table border="1"> <tr><td>72</td><td>71</td><td>70</td><td>69</td><td>68</td><td></td><td>66</td><td>65</td><td>64</td><td>63</td><td></td><td>61</td><td></td><td>59</td><td>58</td><td>57</td><td>56</td><td></td><td>54</td><td></td></tr> <tr><td>52</td><td></td><td>50</td><td>49</td><td>48</td><td>47</td><td></td><td></td><td></td><td></td><td></td><td>42</td><td>41</td><td></td><td></td><td>38</td><td>37</td><td>36</td><td></td><td>34</td><td>33</td></tr> <tr><td colspan="3">73</td><td></td><td>32</td><td>31</td><td>30</td><td>29</td><td>28</td><td>27</td><td>26</td><td></td><td>24</td><td>23</td><td></td><td></td><td>20</td><td>19</td><td>18</td><td></td></tr> <tr><td colspan="3"></td><td>16</td><td></td><td></td><td></td><td>13</td><td>12</td><td>11</td><td>10</td><td>9</td><td></td><td></td><td></td><td></td><td></td><td></td><td></td><td></td></tr> </table>	72	71	70	69	68		66	65	64	63		61		59	58	57	56		54		52		50	49	48	47						42	41			38	37	36		34	33	73				32	31	30	29	28	27	26		24	23			20	19	18					16				13	12	11	10	9								
72	71	70	69	68		66	65	64	63		61		59	58	57	56		54																																																																					
52		50	49	48	47						42	41			38	37	36		34	33																																																																			
73				32	31	30	29	28	27	26		24	23			20	19	18																																																																					
			16				13	12	11	10	9																																																																												
AVAILABLE	NOT APPLICABLE	34566-1293	0	A	BLACK	<table border="1"> <tr><td></td><td></td><td></td><td></td><td>68</td><td></td><td></td><td>65</td><td></td><td>63</td><td></td><td>61</td><td></td><td>59</td><td>58</td><td></td><td>56</td><td></td><td></td><td></td></tr> <tr><td>52</td><td></td><td>50</td><td></td><td></td><td>47</td><td></td><td></td><td></td><td></td><td></td><td>41</td><td></td><td></td><td>38</td><td>37</td><td>36</td><td></td><td>34</td><td>33</td></tr> <tr><td colspan="3">73</td><td></td><td>32</td><td>31</td><td>30</td><td>29</td><td>28</td><td>27</td><td></td><td>24</td><td>23</td><td></td><td></td><td>20</td><td>19</td><td>18</td><td>17</td><td></td></tr> <tr><td colspan="3"></td><td>16</td><td></td><td></td><td></td><td>13</td><td>12</td><td>11</td><td>10</td><td>9</td><td></td><td></td><td></td><td></td><td></td><td></td><td></td><td>1</td></tr> </table>					68			65		63		61		59	58		56				52		50			47						41			38	37	36		34	33	73				32	31	30	29	28	27		24	23			20	19	18	17					16				13	12	11	10	9								1	
				68			65		63		61		59	58		56																																																																							
52		50			47						41			38	37	36		34	33																																																																				
73				32	31	30	29	28	27		24	23			20	19	18	17																																																																					
			16				13	12	11	10	9								1																																																																				
AVAILABLE	NOT APPLICABLE	34566-1313	0	H	ST GRY	<table border="1"> <tr><td>80</td><td></td><td>78</td><td></td><td></td><td></td><td></td><td></td><td>72</td><td>71</td><td>70</td><td>69</td><td>68</td><td></td><td>66</td><td>65</td><td>64</td><td>63</td><td></td><td>61</td></tr> <tr><td></td><td></td><td>58</td><td>57</td><td>56</td><td>55</td><td>54</td><td>53</td><td></td><td></td><td></td><td></td><td></td><td></td><td>46</td><td></td><td>44</td><td>43</td><td>42</td><td></td></tr> <tr><td>40</td><td></td><td></td><td>37</td><td></td><td>35</td><td></td><td></td><td>32</td><td></td><td>30</td><td>29</td><td></td><td>27</td><td>26</td><td></td><td></td><td></td><td></td><td>21</td></tr> <tr><td>20</td><td>19</td><td>18</td><td>17</td><td></td><td>15</td><td></td><td></td><td>12</td><td></td><td></td><td></td><td></td><td>8</td><td>6</td><td>5</td><td></td><td>3</td><td>2</td><td></td></tr> </table>	80		78						72	71	70	69	68		66	65	64	63		61			58	57	56	55	54	53							46		44	43	42		40			37		35			32		30	29		27	26					21	20	19	18	17		15			12					8	6	5		3	2		
80		78						72	71	70	69	68		66	65	64	63		61																																																																				
		58	57	56	55	54	53							46		44	43	42																																																																					
40			37		35			32		30	29		27	26					21																																																																				
20	19	18	17		15			12					8	6	5		3	2																																																																					
AVAILABLE	NOT APPLICABLE	34566-1323	0	A	BLACK	<table border="1"> <tr><td>72</td><td>71</td><td>70</td><td>69</td><td>68</td><td>67</td><td>66</td><td>65</td><td>64</td><td>63</td><td>62</td><td></td><td>60</td><td>59</td><td>58</td><td>57</td><td>56</td><td>55</td><td>54</td><td>53</td></tr> <tr><td>52</td><td>51</td><td>50</td><td>49</td><td>48</td><td>47</td><td>46</td><td>45</td><td>44</td><td>43</td><td>42</td><td>41</td><td>40</td><td>39</td><td>38</td><td>37</td><td>36</td><td>35</td><td>34</td><td>33</td></tr> <tr><td colspan="3">73</td><td></td><td>32</td><td>31</td><td>30</td><td>29</td><td>28</td><td>27</td><td></td><td>25</td><td>24</td><td>23</td><td>22</td><td>21</td><td>20</td><td>19</td><td>18</td><td>17</td></tr> <tr><td colspan="3"></td><td>16</td><td>15</td><td>14</td><td>13</td><td>12</td><td>11</td><td></td><td></td><td>9</td><td>8</td><td>7</td><td>6</td><td>5</td><td>4</td><td>3</td><td>2</td><td>1</td></tr> </table>	72	71	70	69	68	67	66	65	64	63	62		60	59	58	57	56	55	54	53	52	51	50	49	48	47	46	45	44	43	42	41	40	39	38	37	36	35	34	33	73				32	31	30	29	28	27		25	24	23	22	21	20	19	18	17				16	15	14	13	12	11			9	8	7	6	5	4	3	2	1	
72	71	70	69	68	67	66	65	64	63	62		60	59	58	57	56	55	54	53																																																																				
52	51	50	49	48	47	46	45	44	43	42	41	40	39	38	37	36	35	34	33																																																																				
73				32	31	30	29	28	27		25	24	23	22	21	20	19	18	17																																																																				
			16	15	14	13	12	11			9	8	7	6	5	4	3	2	1																																																																				
AVAILABLE	NOT APPLICABLE	34566-1333	0	A	BLACK	<table border="1"> <tr><td></td><td></td><td>70</td><td>69</td><td>68</td><td></td><td></td><td>65</td><td>64</td><td></td><td></td><td></td><td></td><td>59</td><td>58</td><td></td><td>56</td><td></td><td></td><td></td></tr> <tr><td>52</td><td></td><td>50</td><td>49</td><td></td><td>47</td><td></td><td></td><td></td><td></td><td></td><td></td><td>41</td><td></td><td></td><td>38</td><td>37</td><td>36</td><td></td><td>34</td></tr> <tr><td colspan="3">73</td><td></td><td>32</td><td>31</td><td>30</td><td>29</td><td>28</td><td>27</td><td></td><td></td><td>23</td><td></td><td></td><td>20</td><td>19</td><td>18</td><td>17</td><td></td></tr> <tr><td colspan="3"></td><td>16</td><td></td><td></td><td></td><td>13</td><td>12</td><td>11</td><td>10</td><td>9</td><td>8</td><td></td><td>6</td><td></td><td></td><td></td><td></td><td>1</td></tr> </table>			70	69	68			65	64					59	58		56				52		50	49		47							41			38	37	36		34	73				32	31	30	29	28	27			23			20	19	18	17					16				13	12	11	10	9	8		6					1	
		70	69	68			65	64					59	58		56																																																																							
52		50	49		47							41			38	37	36		34																																																																				
73				32	31	30	29	28	27			23			20	19	18	17																																																																					
			16				13	12	11	10	9	8		6					1																																																																				
AVAILABLE	NOT APPLICABLE	34566-1343	0	A	BLACK	<table border="1"> <tr><td>72</td><td>71</td><td></td><td>69</td><td></td><td>67</td><td></td><td>65</td><td>64</td><td>63</td><td></td><td></td><td></td><td>59</td><td>58</td><td>57</td><td>56</td><td></td><td></td><td></td></tr> <tr><td></td><td></td><td>50</td><td>49</td><td>48</td><td>47</td><td></td><td></td><td></td><td></td><td></td><td></td><td>41</td><td></td><td></td><td>38</td><td>37</td><td>36</td><td></td><td>34</td></tr> <tr><td colspan="3">73</td><td></td><td>32</td><td>31</td><td>30</td><td>29</td><td>28</td><td>27</td><td></td><td></td><td>23</td><td></td><td></td><td>20</td><td>19</td><td>18</td><td>17</td><td></td></tr> <tr><td colspan="3"></td><td>16</td><td></td><td></td><td></td><td>13</td><td>12</td><td>11</td><td>10</td><td>9</td><td>7</td><td>6</td><td></td><td>4</td><td>3</td><td></td><td></td><td>1</td></tr> </table>	72	71		69		67		65	64	63				59	58	57	56						50	49	48	47							41			38	37	36		34	73				32	31	30	29	28	27			23			20	19	18	17					16				13	12	11	10	9	7	6		4	3			1	
72	71		69		67		65	64	63				59	58	57	56																																																																							
		50	49	48	47							41			38	37	36		34																																																																				
73				32	31	30	29	28	27			23			20	19	18	17																																																																					
			16				13	12	11	10	9	7	6		4	3			1																																																																				
AVAILABLE	NOT APPLICABLE	34566-1353	0	H	ST GRY	<table border="1"> <tr><td></td><td>79</td><td>78</td><td>77</td><td>76</td><td>75</td><td>74</td><td>73</td><td>72</td><td>71</td><td>70</td><td>69</td><td>68</td><td></td><td>66</td><td>65</td><td>64</td><td>63</td><td></td><td>61</td></tr> <tr><td>60</td><td>59</td><td>58</td><td>57</td><td>56</td><td></td><td></td><td>53</td><td></td><td></td><td>50</td><td></td><td></td><td></td><td></td><td></td><td>44</td><td>43</td><td></td><td>41</td></tr> <tr><td>40</td><td>39</td><td>38</td><td>37</td><td></td><td>35</td><td>34</td><td></td><td>32</td><td></td><td>30</td><td>29</td><td></td><td>27</td><td>26</td><td></td><td></td><td></td><td></td><td>22</td></tr> <tr><td>20</td><td>19</td><td>18</td><td>17</td><td></td><td></td><td></td><td>13</td><td>12</td><td>11</td><td></td><td></td><td></td><td>8</td><td>6</td><td>5</td><td></td><td>3</td><td>2</td><td></td></tr> </table>		79	78	77	76	75	74	73	72	71	70	69	68		66	65	64	63		61	60	59	58	57	56			53			50						44	43		41	40	39	38	37		35	34		32		30	29		27	26					22	20	19	18	17				13	12	11				8	6	5		3	2		
	79	78	77	76	75	74	73	72	71	70	69	68		66	65	64	63		61																																																																				
60	59	58	57	56			53			50						44	43		41																																																																				
40	39	38	37		35	34		32		30	29		27	26					22																																																																				
20	19	18	17				13	12	11				8	6	5		3	2																																																																					
AVAILABLE	NOT APPLICABLE	34566-1363	0	A	BLACK	<table border="1"> <tr><td>72</td><td>71</td><td></td><td>69</td><td>68</td><td>67</td><td>66</td><td></td><td>64</td><td>63</td><td>62</td><td></td><td></td><td>59</td><td></td><td></td><td></td><td></td><td></td><td>53</td></tr> <tr><td></td><td></td><td></td><td></td><td>48</td><td>46</td><td></td><td></td><td>44</td><td>43</td><td>42</td><td></td><td></td><td>39</td><td></td><td></td><td></td><td></td><td></td><td>33</td></tr> <tr><td colspan="3">73</td><td></td><td>32</td><td></td><td></td><td>29</td><td>27</td><td></td><td></td><td>24</td><td>23</td><td></td><td></td><td></td><td></td><td></td><td></td><td>17</td></tr> <tr><td colspan="3"></td><td></td><td></td><td></td><td>14</td><td>13</td><td>12</td><td>11</td><td></td><td>9</td><td>8</td><td></td><td></td><td>5</td><td>4</td><td>3</td><td>2</td><td>1</td></tr> </table>	72	71		69	68	67	66		64	63	62			59						53					48	46			44	43	42			39						33	73				32			29	27			24	23							17							14	13	12	11		9	8			5	4	3	2	1	
72	71		69	68	67	66		64	63	62			59						53																																																																				
				48	46			44	43	42			39						33																																																																				
73				32			29	27			24	23							17																																																																				
						14	13	12	11		9	8			5	4	3	2	1																																																																				

<b>QUALITY SYMBOLS</b> = 0 = 0 = 0 = 0 = 0 = 0 = 0 = 0 = 0	THIS DRAWING CONTAINS INFORMATION THAT IS PROPRIETARY TO MOLEX ELECTRONIC TECHNOLOGIES, LLC AND SHOULD NOT BE USED WITHOUT WRITTEN PERMISSION									
	2017/04/12	2017/04/21	GENERAL TOLERANCES (UNLESS SPECIFIED)		DIMENSION UNITS	SCALE				
	DRWN: TYE	CHKD: JDENG02	ANGULAR TOL ± °		MM	1:1				
	EC NO: 115716	REV: APPR: JDENG02	4 PLACES ±	SKRAJENDRANA	DATE	2011/02/14				
			3 PLACES ±	CHKD BY	DATE					
			2 PLACES ±	MVANSLAMBROU	DATE	2011/02/14				
			1 PLACE ±	APPR BY	DATE					
			0 PLACES ±	DRAWING SIZE		THIRD ANGLE PROJECTION				
			DRAFT WHERE APPLICABLE MUST REMAIN WITHIN DIMENSIONS		D					
			G50		SERIES	MATERIAL NUMBER				
			34566	SEE BOM TABLE	GENERAL MARKET					
		DOCUMENT NUMBER		DOC TYPE	DOC PART	SHEET NUMBER				
		SD-34566-001		PSD	000	18 OF 93				

STATUS	GM PART #	MATERIAL #	WIRE DRESS OPTION	KEY OPTION	COLOR (TPA)	NUMBERS INDICATE CAVITIES OPEN FOR CIRCUITS
AVAILABLE	NOT APPLICABLE	34566-1373	0	B	ST GRY	
AVAILABLE	NOT APPLICABLE	34566-1383	0	B	ST GRY	
AVAILABLE	NOT APPLICABLE	34566-1393	0	A	BLACK	
AVAILABLE	NOT APPLICABLE	34566-1423	0	B	ST GRY	
AVAILABLE	NOT APPLICABLE	34566-1433	0	B	ST GRY	
AVAILABLE	NOT APPLICABLE	34566-1443	0	B	ST GRY	
AVAILABLE	NOT APPLICABLE	34566-1453	0	B	ST GRY	
AVAILABLE	NOT APPLICABLE	34566-1463	0	A	BLACK	

<b>QUALITY SYMBOLS</b> = 0 = 0 = 0 = 0 = 0 = 0 = 0 = 0 = 0	THIS DRAWING CONTAINS INFORMATION THAT IS PROPRIETARY TO MOLEX ELECTRONIC TECHNOLOGIES, LLC AND SHOULD NOT BE USED WITHOUT WRITTEN PERMISSION					
	2017/04/12	2017/04/21	<b>GENERAL TOLERANCES (UNLESS SPECIFIED)</b> ANGULAR TOL ± ° 4 PLACES ± 3 PLACES ± 2 PLACES ± 1 PLACE ± 0 PLACES ±	DIMENSION UNITS	SCALE	
	EC NO: 115716 DRWN: TYE CHKD: JDENG02 REV APPR: JDENG02	<b>G50</b>		MM	1:1	
				DRWN BY	DATE	
				SKRAJENDRANA	2011/02/14	
			CHKD BY	DATE		
MVANSLAMBROU	2011/02/14					
		APPR BY	DATE	<b>PRODUCT CUSTOMER DRAWING</b>		
		DRAFT WHERE APPLICABLE MUST REMAIN WITHIN DIMENSIONS	DRAWING SIZE	THIRD ANGLE PROJECTION	SERIES: 34566 MATERIAL NUMBER: SEE BOM TABLE CUSTOMER: GENERAL MARKET	
RELEASE STATUS: _____ RELEASE DATE: _____				DOCUMENT NUMBER: SD-34566-001 DOC TYPE: PSD DOC PART: 000 SHEET NUMBER: 19 OF 93		

STATUS	GM PART #	MATERIAL #	WIRE DRESS OPTION	KEY OPTION	COLOR (TPA)	NUMBERS INDICATE CAVITIES OPEN FOR CIRCUITS																																																																								
AVAILABLE	NOT APPLICABLE	34566-1473	0	A	BLACK	<table border="1"> <tr><td>72</td><td>71</td><td></td><td>69</td><td>68</td><td>67</td><td>66</td><td></td><td>64</td><td>63</td><td>62</td><td></td><td>59</td><td></td><td></td><td></td><td>54</td><td>53</td></tr> <tr><td>52</td><td></td><td></td><td>49</td><td>48</td><td></td><td>46</td><td></td><td>44</td><td>43</td><td>42</td><td></td><td>39</td><td></td><td></td><td></td><td>34</td><td>33</td></tr> <tr><td colspan="3">73</td><td>32</td><td></td><td></td><td>29</td><td></td><td>27</td><td></td><td></td><td>24</td><td>23</td><td></td><td></td><td></td><td></td><td>17</td></tr> <tr><td></td><td></td><td></td><td></td><td>14</td><td>13</td><td>12</td><td>11</td><td></td><td>9</td><td>8</td><td>7</td><td>6</td><td>5</td><td>4</td><td>3</td><td>2</td><td>1</td></tr> </table>	72	71		69	68	67	66		64	63	62		59				54	53	52			49	48		46		44	43	42		39				34	33	73			32			29		27			24	23					17					14	13	12	11		9	8	7	6	5	4	3	2	1
72	71		69	68	67	66		64	63	62		59				54	53																																																													
52			49	48		46		44	43	42		39				34	33																																																													
73			32			29		27			24	23					17																																																													
				14	13	12	11		9	8	7	6	5	4	3	2	1																																																													
AVAILABLE	NOT APPLICABLE	34566-1483	0	A	BLACK	<table border="1"> <tr><td>72</td><td>71</td><td></td><td>69</td><td>68</td><td></td><td></td><td>65</td><td>64</td><td>63</td><td></td><td>61</td><td>59</td><td>58</td><td>56</td><td></td><td></td><td></td></tr> <tr><td>52</td><td></td><td>50</td><td>49</td><td></td><td>47</td><td></td><td></td><td></td><td></td><td></td><td>41</td><td></td><td>38</td><td>37</td><td>36</td><td>34</td><td>33</td></tr> <tr><td colspan="3">73</td><td>32</td><td>31</td><td>30</td><td>29</td><td>28</td><td>27</td><td></td><td></td><td>24</td><td>23</td><td></td><td>20</td><td>19</td><td>18</td><td>17</td></tr> <tr><td></td><td></td><td></td><td>16</td><td></td><td></td><td>13</td><td>12</td><td>11</td><td>10</td><td>9</td><td></td><td></td><td></td><td></td><td></td><td></td><td>1</td></tr> </table>	72	71		69	68			65	64	63		61	59	58	56				52		50	49		47						41		38	37	36	34	33	73			32	31	30	29	28	27			24	23		20	19	18	17				16			13	12	11	10	9							1
72	71		69	68			65	64	63		61	59	58	56																																																																
52		50	49		47						41		38	37	36	34	33																																																													
73			32	31	30	29	28	27			24	23		20	19	18	17																																																													
			16			13	12	11	10	9							1																																																													
AVAILABLE	NOT APPLICABLE	34566-1493	0	B	ST GRAY	<table border="1"> <tr><td></td><td></td><td></td><td>68</td><td></td><td></td><td></td><td></td><td></td><td></td><td></td><td></td><td>59</td><td>58</td><td>57</td><td>55</td><td>53</td><td></td></tr> <tr><td></td><td></td><td></td><td>49</td><td>48</td><td></td><td>46</td><td></td><td></td><td></td><td></td><td></td><td>39</td><td>38</td><td>37</td><td>35</td><td>33</td><td></td></tr> <tr><td colspan="3">73</td><td></td><td></td><td></td><td>29</td><td></td><td></td><td></td><td></td><td>23</td><td>22</td><td>21</td><td></td><td>18</td><td>17</td><td></td></tr> <tr><td></td><td></td><td></td><td></td><td></td><td></td><td>12</td><td>11</td><td>10</td><td></td><td></td><td>7</td><td></td><td></td><td></td><td></td><td></td><td>1</td></tr> </table>				68									59	58	57	55	53					49	48		46						39	38	37	35	33		73						29					23	22	21		18	17								12	11	10			7						1
			68									59	58	57	55	53																																																														
			49	48		46						39	38	37	35	33																																																														
73						29					23	22	21		18	17																																																														
						12	11	10			7						1																																																													
AVAILABLE	NOT APPLICABLE	34566-1513	0	B	ST GRAY	<table border="1"> <tr><td></td><td></td><td></td><td></td><td></td><td></td><td>65</td><td></td><td></td><td></td><td></td><td></td><td>59</td><td>57</td><td>55</td><td>53</td><td></td><td></td></tr> <tr><td></td><td></td><td></td><td>49</td><td>48</td><td></td><td>46</td><td></td><td></td><td></td><td></td><td></td><td>39</td><td>37</td><td>35</td><td>33</td><td></td><td></td></tr> <tr><td colspan="3">73</td><td></td><td></td><td></td><td>29</td><td></td><td></td><td></td><td></td><td>23</td><td>21</td><td></td><td></td><td>17</td><td></td><td></td></tr> <tr><td></td><td></td><td></td><td></td><td></td><td></td><td>12</td><td></td><td></td><td></td><td></td><td>7</td><td></td><td></td><td></td><td></td><td></td><td></td></tr> </table>							65						59	57	55	53						49	48		46						39	37	35	33			73						29					23	21			17									12					7						
						65						59	57	55	53																																																															
			49	48		46						39	37	35	33																																																															
73						29					23	21			17																																																															
						12					7																																																																			
AVAILABLE	NOT APPLICABLE	34566-1523	0	A	BLACK	<table border="1"> <tr><td></td><td></td><td>70</td><td>69</td><td>68</td><td></td><td></td><td>65</td><td>64</td><td></td><td></td><td></td><td>59</td><td>58</td><td>56</td><td>54</td><td></td><td></td></tr> <tr><td>52</td><td></td><td>50</td><td>49</td><td></td><td>47</td><td></td><td></td><td></td><td></td><td>42</td><td>41</td><td></td><td>38</td><td>37</td><td>36</td><td>34</td><td></td></tr> <tr><td colspan="3">73</td><td>32</td><td>31</td><td>30</td><td>29</td><td>28</td><td>27</td><td>26</td><td></td><td></td><td>23</td><td></td><td>20</td><td>19</td><td>18</td><td>17</td></tr> <tr><td></td><td></td><td></td><td>16</td><td></td><td></td><td>13</td><td>12</td><td>11</td><td>10</td><td>9</td><td>8</td><td></td><td></td><td></td><td></td><td></td><td>1</td></tr> </table>			70	69	68			65	64				59	58	56	54			52		50	49		47					42	41		38	37	36	34		73			32	31	30	29	28	27	26			23		20	19	18	17				16			13	12	11	10	9	8						1
		70	69	68			65	64				59	58	56	54																																																															
52		50	49		47					42	41		38	37	36	34																																																														
73			32	31	30	29	28	27	26			23		20	19	18	17																																																													
			16			13	12	11	10	9	8						1																																																													
AVAILABLE	NOT APPLICABLE	34566-1533	0	A	BLACK	<table border="1"> <tr><td>72</td><td>71</td><td>70</td><td>69</td><td>68</td><td></td><td></td><td>65</td><td>64</td><td>63</td><td></td><td>61</td><td>59</td><td>58</td><td>57</td><td>56</td><td></td><td></td></tr> <tr><td>52</td><td>51</td><td>50</td><td>49</td><td></td><td>47</td><td></td><td></td><td></td><td></td><td></td><td>41</td><td></td><td>38</td><td>37</td><td>36</td><td>34</td><td>33</td></tr> <tr><td colspan="3">73</td><td>32</td><td>31</td><td>30</td><td>29</td><td>28</td><td>27</td><td></td><td></td><td>24</td><td>23</td><td></td><td>20</td><td>19</td><td>18</td><td>17</td></tr> <tr><td></td><td></td><td></td><td>16</td><td></td><td></td><td>13</td><td>12</td><td>11</td><td>10</td><td>9</td><td></td><td></td><td></td><td></td><td>3</td><td>2</td><td>1</td></tr> </table>	72	71	70	69	68			65	64	63		61	59	58	57	56			52	51	50	49		47						41		38	37	36	34	33	73			32	31	30	29	28	27			24	23		20	19	18	17				16			13	12	11	10	9					3	2	1
72	71	70	69	68			65	64	63		61	59	58	57	56																																																															
52	51	50	49		47						41		38	37	36	34	33																																																													
73			32	31	30	29	28	27			24	23		20	19	18	17																																																													
			16			13	12	11	10	9					3	2	1																																																													
AVAILABLE	NOT APPLICABLE	34566-1543	0	B	ST GRAY	<table border="1"> <tr><td></td><td></td><td></td><td>69</td><td>68</td><td></td><td>66</td><td></td><td></td><td></td><td></td><td></td><td>59</td><td>57</td><td>55</td><td>53</td><td></td><td></td></tr> <tr><td></td><td></td><td></td><td>49</td><td>48</td><td></td><td>46</td><td></td><td></td><td></td><td></td><td></td><td>39</td><td>37</td><td>35</td><td>33</td><td></td><td></td></tr> <tr><td colspan="3">73</td><td></td><td></td><td></td><td>29</td><td></td><td></td><td></td><td></td><td>23</td><td>21</td><td></td><td></td><td></td><td></td><td></td></tr> <tr><td></td><td></td><td></td><td></td><td></td><td></td><td></td><td>11</td><td>10</td><td></td><td></td><td>7</td><td></td><td></td><td></td><td></td><td></td><td></td></tr> </table>				69	68		66						59	57	55	53						49	48		46						39	37	35	33			73						29					23	21													11	10			7						
			69	68		66						59	57	55	53																																																															
			49	48		46						39	37	35	33																																																															
73						29					23	21																																																																		
							11	10			7																																																																			
AVAILABLE	NOT APPLICABLE	34566-1583	0	A	BLACK	<table border="1"> <tr><td></td><td></td><td>70</td><td></td><td></td><td>67</td><td>66</td><td>65</td><td></td><td></td><td></td><td>61</td><td></td><td>58</td><td>57</td><td>55</td><td>54</td><td></td></tr> <tr><td></td><td></td><td></td><td>49</td><td></td><td>47</td><td></td><td>45</td><td>44</td><td>43</td><td>42</td><td>41</td><td>39</td><td></td><td>37</td><td></td><td>34</td><td></td></tr> <tr><td colspan="3">73</td><td>32</td><td></td><td>30</td><td></td><td></td><td></td><td>27</td><td>25</td><td>24</td><td></td><td>21</td><td>20</td><td>19</td><td>18</td><td>17</td></tr> <tr><td></td><td></td><td></td><td></td><td>15</td><td></td><td>13</td><td></td><td>11</td><td></td><td>9</td><td>8</td><td></td><td>6</td><td>5</td><td></td><td>3</td><td>1</td></tr> </table>			70			67	66	65				61		58	57	55	54					49		47		45	44	43	42	41	39		37		34		73			32		30				27	25	24		21	20	19	18	17					15		13		11		9	8		6	5		3	1
		70			67	66	65				61		58	57	55	54																																																														
			49		47		45	44	43	42	41	39		37		34																																																														
73			32		30				27	25	24		21	20	19	18	17																																																													
				15		13		11		9	8		6	5		3	1																																																													

<b>QUALITY SYMBOLS</b> = 0 = 0 = 0 = 0 = 0 = 0 = 0 = 0 = 0	THIS DRAWING CONTAINS INFORMATION THAT IS PROPRIETARY TO MOLEX ELECTRONIC TECHNOLOGIES, LLC AND SHOULD NOT BE USED WITHOUT WRITTEN PERMISSION									
	2017/04/12	2017/04/21	GENERAL TOLERANCES (UNLESS SPECIFIED)		DIMENSION UNITS	SCALE				
	EC NO: 115716 DRWN: TYE CHKD: REV APPR: JDENG02	ANGULAR TOL ± °		MM	1:1					
		4 PLACES ±	DRWN BY	DATE	SKRAJENDRANA	2011/02/14				
		3 PLACES ±	CHKD BY	DATE	MVANSLAMBROU	2011/02/14				
		2 PLACES ±	APPR BY	DATE						
		1 PLACE ±								
	0 PLACES ±	DRAFT WHERE APPLICABLE MUST REMAIN WITHIN DIMENSIONS		DRAWING SIZE	THIRD ANGLE PROJECTION	SERIES: 34566 MATERIAL NUMBER: SEE BOM TABLE CUSTOMER: GENERAL MARKET				
		D		DOCUMENT NUMBER: SD-34566-001		DOC TYPE: PSD	DOC PART: 000	SHEET NUMBER: 20 OF 93		







STATUS	GM PART #	MATERIAL #	WIRE DRESS OPTION	KEY OPTION	COLOR (TPA)	NUMBERS INDICATE CAVITIES OPEN FOR CIRCUITS																																																																																
AVAILABLE	NOT APPLICABLE	34566-1773	0	C	BLUE	<table border="1"> <tr><td>72</td><td>70</td><td></td><td>67</td><td>66</td><td></td><td>63</td><td>62</td><td></td><td>59</td><td>57</td><td></td><td></td><td>53</td></tr> <tr><td>52</td><td>51</td><td></td><td></td><td>46</td><td></td><td>44</td><td>42</td><td></td><td>40</td><td>39</td><td></td><td></td><td>34</td><td>33</td></tr> <tr><td colspan="2">73</td><td></td><td></td><td>30</td><td></td><td></td><td>27</td><td>26</td><td>25</td><td></td><td></td><td>22</td><td>21</td><td>20</td></tr> <tr><td colspan="2"></td><td></td><td></td><td>15</td><td>14</td><td></td><td></td><td>10</td><td>9</td><td></td><td></td><td>6</td><td>5</td><td>4</td></tr> </table>	72	70		67	66		63	62		59	57			53	52	51			46		44	42		40	39			34	33	73				30			27	26	25			22	21	20					15	14			10	9			6	5	4																					
72	70		67	66		63	62		59	57			53																																																																									
52	51			46		44	42		40	39			34	33																																																																								
73				30			27	26	25			22	21	20																																																																								
				15	14			10	9			6	5	4																																																																								
AVAILABLE	NOT APPLICABLE	34566-1783	0	C	BLUE	<table border="1"> <tr><td>72</td><td>70</td><td></td><td>67</td><td>66</td><td></td><td>63</td><td>62</td><td></td><td>59</td><td>57</td><td></td><td></td><td>53</td></tr> <tr><td>52</td><td>51</td><td></td><td></td><td>46</td><td></td><td>44</td><td>42</td><td></td><td>40</td><td>39</td><td></td><td></td><td>34</td><td>33</td></tr> <tr><td colspan="2">73</td><td></td><td></td><td>30</td><td></td><td></td><td>26</td><td>25</td><td></td><td></td><td></td><td>22</td><td>21</td><td>20</td></tr> <tr><td colspan="2"></td><td></td><td></td><td>15</td><td>14</td><td></td><td></td><td>10</td><td>9</td><td></td><td></td><td>6</td><td>5</td><td>4</td></tr> </table>	72	70		67	66		63	62		59	57			53	52	51			46		44	42		40	39			34	33	73				30			26	25				22	21	20					15	14			10	9			6	5	4																					
72	70		67	66		63	62		59	57			53																																																																									
52	51			46		44	42		40	39			34	33																																																																								
73				30			26	25				22	21	20																																																																								
				15	14			10	9			6	5	4																																																																								
AVAILABLE	NOT APPLICABLE	34566-1793	0	A	BLACK	<table border="1"> <tr><td></td><td></td><td>69</td><td></td><td></td><td></td><td>63</td><td>62</td><td>61</td><td></td><td>58</td><td>57</td><td>56</td><td>55</td><td>54</td><td>53</td></tr> <tr><td>52</td><td>51</td><td>49</td><td></td><td></td><td></td><td>44</td><td>43</td><td>42</td><td>41</td><td></td><td></td><td>37</td><td>36</td><td>35</td><td>34</td><td>33</td></tr> <tr><td colspan="2">73</td><td></td><td>32</td><td></td><td></td><td>29</td><td>28</td><td>27</td><td>26</td><td></td><td></td><td></td><td></td><td>19</td><td>18</td><td></td></tr> <tr><td colspan="2"></td><td></td><td>16</td><td></td><td></td><td>13</td><td>12</td><td>11</td><td>10</td><td></td><td></td><td></td><td></td><td>3</td><td></td><td></td></tr> </table>			69				63	62	61		58	57	56	55	54	53	52	51	49				44	43	42	41			37	36	35	34	33	73			32			29	28	27	26					19	18					16			13	12	11	10					3															
		69				63	62	61		58	57	56	55	54	53																																																																							
52	51	49				44	43	42	41			37	36	35	34	33																																																																						
73			32			29	28	27	26					19	18																																																																							
			16			13	12	11	10					3																																																																								
AVAILABLE	NOT APPLICABLE	34566-1813	0	B	ST GRY	<table border="1"> <tr><td>72</td><td>71</td><td>70</td><td></td><td>68</td><td>67</td><td>66</td><td></td><td></td><td>62</td><td>61</td><td>60</td><td>59</td><td>58</td><td>57</td><td>56</td><td>55</td><td>54</td><td>53</td></tr> <tr><td>52</td><td>51</td><td>50</td><td></td><td>48</td><td>47</td><td>46</td><td></td><td></td><td>42</td><td>41</td><td>40</td><td>39</td><td>38</td><td>37</td><td>36</td><td>35</td><td>34</td><td>33</td></tr> <tr><td colspan="2">73</td><td></td><td></td><td>32</td><td>31</td><td>30</td><td>29</td><td>28</td><td>27</td><td>26</td><td>25</td><td>24</td><td>23</td><td></td><td></td><td></td><td></td><td></td></tr> <tr><td colspan="2"></td><td></td><td></td><td>16</td><td>15</td><td>14</td><td>13</td><td></td><td></td><td>10</td><td>9</td><td>8</td><td></td><td></td><td></td><td></td><td></td><td></td></tr> </table>	72	71	70		68	67	66			62	61	60	59	58	57	56	55	54	53	52	51	50		48	47	46			42	41	40	39	38	37	36	35	34	33	73				32	31	30	29	28	27	26	25	24	23										16	15	14	13			10	9	8										
72	71	70		68	67	66			62	61	60	59	58	57	56	55	54	53																																																																				
52	51	50		48	47	46			42	41	40	39	38	37	36	35	34	33																																																																				
73				32	31	30	29	28	27	26	25	24	23																																																																									
				16	15	14	13			10	9	8																																																																										
AVAILABLE	NOT APPLICABLE	34566-1823	0	A	BLACK	<table border="1"> <tr><td>72</td><td>71</td><td>70</td><td>69</td><td>68</td><td></td><td>66</td><td>65</td><td>64</td><td></td><td>61</td><td></td><td>59</td><td>58</td><td></td><td>56</td><td></td><td>54</td><td>53</td></tr> <tr><td>52</td><td></td><td>50</td><td>49</td><td></td><td>47</td><td></td><td></td><td></td><td></td><td>42</td><td>41</td><td></td><td></td><td>38</td><td>37</td><td>36</td><td></td><td>34</td><td>33</td></tr> <tr><td colspan="2">73</td><td></td><td></td><td>32</td><td>31</td><td>30</td><td>29</td><td>28</td><td>27</td><td>26</td><td></td><td>24</td><td>23</td><td>22</td><td>21</td><td>20</td><td>19</td><td>18</td><td>17</td></tr> <tr><td colspan="2"></td><td></td><td></td><td>16</td><td></td><td></td><td>13</td><td>12</td><td>11</td><td>10</td><td>9</td><td>8</td><td></td><td></td><td></td><td></td><td></td><td></td><td>1</td></tr> </table>	72	71	70	69	68		66	65	64		61		59	58		56		54	53	52		50	49		47					42	41			38	37	36		34	33	73				32	31	30	29	28	27	26		24	23	22	21	20	19	18	17					16			13	12	11	10	9	8							1	
72	71	70	69	68		66	65	64		61		59	58		56		54	53																																																																				
52		50	49		47					42	41			38	37	36		34	33																																																																			
73				32	31	30	29	28	27	26		24	23	22	21	20	19	18	17																																																																			
				16			13	12	11	10	9	8							1																																																																			
AVAILABLE	NOT APPLICABLE	34566-1833	0	A	BLACK	<table border="1"> <tr><td></td><td></td><td></td><td></td><td>68</td><td></td><td></td><td>65</td><td></td><td>63</td><td></td><td>61</td><td></td><td>59</td><td>58</td><td></td><td>56</td><td></td><td></td><td></td></tr> <tr><td>52</td><td></td><td>50</td><td></td><td></td><td>47</td><td></td><td></td><td></td><td></td><td>41</td><td></td><td></td><td></td><td>38</td><td>37</td><td>36</td><td></td><td>34</td><td>33</td></tr> <tr><td colspan="2">73</td><td></td><td></td><td>32</td><td>31</td><td>30</td><td>29</td><td>28</td><td>27</td><td></td><td>25</td><td>24</td><td>23</td><td></td><td></td><td>20</td><td>19</td><td>18</td><td>17</td></tr> <tr><td colspan="2"></td><td></td><td></td><td>16</td><td></td><td></td><td>13</td><td>12</td><td>11</td><td>10</td><td></td><td></td><td></td><td></td><td></td><td></td><td></td><td></td><td>1</td></tr> </table>					68			65		63		61		59	58		56				52		50			47					41				38	37	36		34	33	73				32	31	30	29	28	27		25	24	23			20	19	18	17					16			13	12	11	10									1
				68			65		63		61		59	58		56																																																																						
52		50			47					41				38	37	36		34	33																																																																			
73				32	31	30	29	28	27		25	24	23			20	19	18	17																																																																			
				16			13	12	11	10									1																																																																			
AVAILABLE	NOT APPLICABLE	34566-1843	0	A	BLACK	<table border="1"> <tr><td></td><td></td><td></td><td></td><td>68</td><td></td><td></td><td>65</td><td></td><td>63</td><td></td><td>61</td><td></td><td>59</td><td>58</td><td></td><td>56</td><td></td><td></td><td>53</td></tr> <tr><td>52</td><td></td><td>50</td><td></td><td></td><td>47</td><td></td><td></td><td></td><td></td><td>41</td><td></td><td></td><td></td><td>38</td><td>37</td><td>36</td><td>35</td><td>34</td><td>33</td></tr> <tr><td colspan="2">73</td><td></td><td></td><td>32</td><td>31</td><td>30</td><td>29</td><td>28</td><td>27</td><td></td><td>24</td><td>23</td><td>22</td><td>21</td><td>20</td><td>19</td><td>18</td><td>17</td><td></td></tr> <tr><td colspan="2"></td><td></td><td></td><td>16</td><td>15</td><td>14</td><td>13</td><td>12</td><td>11</td><td>10</td><td></td><td></td><td></td><td></td><td></td><td></td><td></td><td></td><td>1</td></tr> </table>					68			65		63		61		59	58		56			53	52		50			47					41				38	37	36	35	34	33	73				32	31	30	29	28	27		24	23	22	21	20	19	18	17						16	15	14	13	12	11	10									1
				68			65		63		61		59	58		56			53																																																																			
52		50			47					41				38	37	36	35	34	33																																																																			
73				32	31	30	29	28	27		24	23	22	21	20	19	18	17																																																																				
				16	15	14	13	12	11	10									1																																																																			
AVAILABLE	NOT APPLICABLE	34566-1853	0	A	BLACK	<table border="1"> <tr><td>72</td><td></td><td>70</td><td>69</td><td>68</td><td>67</td><td></td><td>65</td><td></td><td>63</td><td></td><td>61</td><td>60</td><td></td><td>57</td><td>56</td><td>55</td><td>54</td><td>53</td></tr> <tr><td>52</td><td></td><td>50</td><td>49</td><td>48</td><td>47</td><td></td><td></td><td>44</td><td>43</td><td></td><td>41</td><td>40</td><td></td><td>37</td><td>36</td><td>35</td><td>34</td><td>33</td></tr> <tr><td colspan="2">73</td><td></td><td></td><td></td><td></td><td>30</td><td>29</td><td>28</td><td></td><td></td><td>25</td><td>24</td><td></td><td></td><td>21</td><td>20</td><td>19</td><td>18</td><td>17</td></tr> <tr><td colspan="2"></td><td></td><td></td><td></td><td></td><td>16</td><td>15</td><td></td><td></td><td>11</td><td>10</td><td>9</td><td>8</td><td>7</td><td>6</td><td>5</td><td>4</td><td>3</td><td>2</td><td>1</td></tr> </table>	72		70	69	68	67		65		63		61	60		57	56	55	54	53	52		50	49	48	47			44	43		41	40		37	36	35	34	33	73						30	29	28			25	24			21	20	19	18	17							16	15			11	10	9	8	7	6	5	4	3	2	1	
72		70	69	68	67		65		63		61	60		57	56	55	54	53																																																																				
52		50	49	48	47			44	43		41	40		37	36	35	34	33																																																																				
73						30	29	28			25	24			21	20	19	18	17																																																																			
						16	15			11	10	9	8	7	6	5	4	3	2	1																																																																		
AVAILABLE	NOT APPLICABLE	34566-1863	0	B	ST GRY	<table border="1"> <tr><td></td><td></td><td></td><td></td><td>68</td><td>67</td><td>66</td><td>65</td><td>64</td><td>63</td><td></td><td></td><td></td><td></td><td></td><td></td><td></td><td></td><td></td><td></td></tr> <tr><td colspan="2">73</td><td></td><td></td><td></td><td>46</td><td>45</td><td></td><td>43</td><td></td><td></td><td></td><td></td><td></td><td></td><td></td><td></td><td></td><td></td><td>17</td></tr> <tr><td colspan="2"></td><td></td><td></td><td></td><td>32</td><td></td><td>30</td><td>29</td><td>28</td><td>27</td><td></td><td></td><td></td><td></td><td></td><td></td><td></td><td></td><td></td></tr> <tr><td colspan="2"></td><td></td><td></td><td></td><td>16</td><td></td><td></td><td></td><td></td><td>10</td><td></td><td></td><td></td><td></td><td></td><td></td><td></td><td></td><td></td></tr> </table>					68	67	66	65	64	63											73					46	45		43											17						32		30	29	28	27															16					10									
				68	67	66	65	64	63																																																																													
73					46	45		43											17																																																																			
					32		30	29	28	27																																																																												
					16					10																																																																												

<b>QUALITY SYMBOLS</b> = 0 = 0 = 0 = 0 = 0 = 0 = 0 = 0 = 0	THIS DRAWING CONTAINS INFORMATION THAT IS PROPRIETARY TO MOLEX ELECTRONIC TECHNOLOGIES, LLC AND SHOULD NOT BE USED WITHOUT WRITTEN PERMISSION										
	EC NO: 115716	DRWN: TYE	CHKD: JDENG02	REV: APPR: JDENG02	2017/04/21	2017/04/21	GENERAL TOLERANCES (UNLESS SPECIFIED)		DIMENSION UNITS	SCALE	
	4 PLACES ±		ANGULAR TOL ± °		MM	1:1	DRWN BY	DATE	SKRAJENDRANA 2011/02/14		
	3 PLACES ±						CHKD BY	DATE	MVANSLAMBROU 2011/02/14		
	2 PLACES ±						APPR BY	DATE			
	1 PLACE ±										
	0 PLACES ±										
	DRAFT WHERE APPLICABLE MUST REMAIN WITHIN DIMENSIONS				D	THIRD ANGLE PROJECTION					

STATUS	GM PART #	MATERIAL #	WIRE DRESS OPTION	KEY OPTION	COLOR (TPA)	NUMBERS INDICATE CAVITIES OPEN FOR CIRCUITS																																																																																																						
AVAILABLE	NOT APPLICABLE	34566-1873	0	C	BLUE	<table border="1"> <tr><td>72</td><td>70</td><td></td><td></td><td>67</td><td>66</td><td></td><td></td><td>63</td><td>62</td><td></td><td></td><td>59</td><td>57</td><td></td><td></td><td>53</td></tr> <tr><td>52</td><td>51</td><td></td><td></td><td></td><td>46</td><td></td><td>44</td><td>42</td><td>40</td><td>39</td><td></td><td></td><td></td><td></td><td>34</td><td>33</td></tr> <tr><td colspan="2">73</td><td></td><td>32</td><td></td><td>30</td><td></td><td></td><td>27</td><td>26</td><td>25</td><td></td><td></td><td>22</td><td>21</td><td>20</td><td></td></tr> <tr><td colspan="2"></td><td></td><td>15</td><td>14</td><td></td><td></td><td></td><td>10</td><td>9</td><td></td><td></td><td></td><td>6</td><td>5</td><td>4</td><td></td></tr> </table>	72	70			67	66			63	62			59	57			53	52	51				46		44	42	40	39					34	33	73			32		30			27	26	25			22	21	20					15	14				10	9				6	5	4																																			
72	70			67	66			63	62			59	57			53																																																																																												
52	51				46		44	42	40	39					34	33																																																																																												
73			32		30			27	26	25			22	21	20																																																																																													
			15	14				10	9				6	5	4																																																																																													
AVAILABLE	NOT APPLICABLE	34566-1883	0	A	BLACK	<table border="1"> <tr><td></td><td>70</td><td></td><td>68</td><td>67</td><td>66</td><td>65</td><td></td><td></td><td></td><td></td><td></td><td></td><td>58</td><td>57</td><td></td><td>55</td></tr> <tr><td></td><td></td><td>49</td><td></td><td>47</td><td></td><td></td><td>44</td><td>43</td><td>42</td><td>41</td><td>40</td><td>39</td><td></td><td>37</td><td></td><td>35</td></tr> <tr><td colspan="2">73</td><td></td><td>32</td><td></td><td>30</td><td></td><td></td><td>27</td><td></td><td>25</td><td>24</td><td></td><td></td><td>21</td><td>20</td><td>19</td></tr> <tr><td colspan="2"></td><td></td><td>16</td><td>15</td><td></td><td>13</td><td></td><td></td><td>10</td><td>9</td><td>8</td><td></td><td></td><td>6</td><td>5</td><td>3</td></tr> <tr><td colspan="2"></td><td></td><td></td><td></td><td></td><td></td><td></td><td></td><td></td><td></td><td></td><td></td><td></td><td></td><td></td><td>2</td></tr> <tr><td colspan="2"></td><td></td><td></td><td></td><td></td><td></td><td></td><td></td><td></td><td></td><td></td><td></td><td></td><td></td><td></td><td>1</td></tr> </table>		70		68	67	66	65							58	57		55			49		47			44	43	42	41	40	39		37		35	73			32		30			27		25	24			21	20	19				16	15		13			10	9	8			6	5	3																	2																	1
	70		68	67	66	65							58	57		55																																																																																												
		49		47			44	43	42	41	40	39		37		35																																																																																												
73			32		30			27		25	24			21	20	19																																																																																												
			16	15		13			10	9	8			6	5	3																																																																																												
																2																																																																																												
																1																																																																																												
AVAILABLE	NOT APPLICABLE	34566-1893	0	C	BLUE	<table border="1"> <tr><td>72</td><td>70</td><td></td><td></td><td></td><td>66</td><td></td><td></td><td>63</td><td></td><td></td><td></td><td>59</td><td>57</td><td></td><td></td><td>53</td></tr> <tr><td>52</td><td>51</td><td></td><td></td><td></td><td>46</td><td></td><td>44</td><td>42</td><td>40</td><td>39</td><td></td><td></td><td></td><td></td><td>34</td><td>33</td></tr> <tr><td colspan="2">73</td><td></td><td>32</td><td></td><td>30</td><td></td><td></td><td>27</td><td>26</td><td>25</td><td></td><td></td><td>22</td><td>21</td><td>20</td><td></td></tr> <tr><td colspan="2"></td><td></td><td>15</td><td>14</td><td></td><td></td><td></td><td>10</td><td>9</td><td></td><td></td><td></td><td>6</td><td>5</td><td>4</td><td></td></tr> </table>	72	70				66			63				59	57			53	52	51				46		44	42	40	39					34	33	73			32		30			27	26	25			22	21	20					15	14				10	9				6	5	4																																			
72	70				66			63				59	57			53																																																																																												
52	51				46		44	42	40	39					34	33																																																																																												
73			32		30			27	26	25			22	21	20																																																																																													
			15	14				10	9				6	5	4																																																																																													
AVAILABLE	NOT APPLICABLE	34566-1913	0	B	ST GRY	<table border="1"> <tr><td>72</td><td>70</td><td></td><td>68</td><td></td><td>66</td><td></td><td></td><td></td><td></td><td></td><td></td><td>60</td><td>59</td><td></td><td></td><td>55</td><td>54</td><td>53</td></tr> <tr><td>52</td><td>50</td><td></td><td>48</td><td>46</td><td></td><td></td><td></td><td></td><td></td><td></td><td></td><td>40</td><td>39</td><td></td><td></td><td>35</td><td>34</td><td>33</td></tr> <tr><td colspan="2">73</td><td></td><td>32</td><td>31</td><td>30</td><td>29</td><td>28</td><td>27</td><td>26</td><td>25</td><td>24</td><td></td><td></td><td></td><td></td><td></td><td></td><td></td></tr> <tr><td colspan="2"></td><td></td><td>16</td><td></td><td></td><td></td><td></td><td></td><td>10</td><td>9</td><td>8</td><td></td><td></td><td></td><td></td><td></td><td></td><td></td></tr> </table>	72	70		68		66							60	59			55	54	53	52	50		48	46								40	39			35	34	33	73			32	31	30	29	28	27	26	25	24											16						10	9	8																																	
72	70		68		66							60	59			55	54	53																																																																																										
52	50		48	46								40	39			35	34	33																																																																																										
73			32	31	30	29	28	27	26	25	24																																																																																																	
			16						10	9	8																																																																																																	
AVAILABLE	NOT APPLICABLE	34566-1923	0	A	BLACK	<table border="1"> <tr><td></td><td></td><td>69</td><td></td><td></td><td></td><td></td><td></td><td>63</td><td></td><td></td><td></td><td></td><td>58</td><td>56</td><td>55</td><td>54</td><td>53</td></tr> <tr><td>52</td><td>51</td><td></td><td>49</td><td></td><td></td><td></td><td></td><td>44</td><td>43</td><td>42</td><td>41</td><td></td><td></td><td>36</td><td>35</td><td>34</td><td>33</td></tr> <tr><td colspan="2">73</td><td></td><td>32</td><td></td><td></td><td></td><td></td><td>28</td><td></td><td>26</td><td></td><td></td><td></td><td></td><td>19</td><td>18</td><td></td></tr> <tr><td colspan="2"></td><td></td><td>16</td><td></td><td></td><td></td><td></td><td>12</td><td>10</td><td></td><td></td><td></td><td></td><td></td><td>3</td><td></td><td></td></tr> </table>			69						63					58	56	55	54	53	52	51		49					44	43	42	41			36	35	34	33	73			32					28		26					19	18					16					12	10						3																																
		69						63					58	56	55	54	53																																																																																											
52	51		49					44	43	42	41			36	35	34	33																																																																																											
73			32					28		26					19	18																																																																																												
			16					12	10						3																																																																																													
AVAILABLE	NOT APPLICABLE	34566-1933	0	A	BLACK	<table border="1"> <tr><td></td><td>70</td><td></td><td></td><td>67</td><td>66</td><td>65</td><td></td><td></td><td></td><td></td><td></td><td></td><td>58</td><td>57</td><td></td><td>55</td><td></td></tr> <tr><td></td><td></td><td>49</td><td></td><td>47</td><td></td><td></td><td>44</td><td>43</td><td>42</td><td>41</td><td>40</td><td>39</td><td></td><td>37</td><td></td><td>35</td><td></td></tr> <tr><td colspan="2">73</td><td></td><td>32</td><td></td><td>30</td><td></td><td></td><td>27</td><td></td><td>25</td><td>24</td><td></td><td></td><td>21</td><td>20</td><td>19</td><td>18</td></tr> <tr><td colspan="2"></td><td></td><td>16</td><td>15</td><td></td><td>13</td><td></td><td></td><td>10</td><td>9</td><td>8</td><td></td><td></td><td>6</td><td>5</td><td>3</td><td>2</td></tr> <tr><td colspan="2"></td><td></td><td></td><td></td><td></td><td></td><td></td><td></td><td></td><td></td><td></td><td></td><td></td><td></td><td></td><td></td><td>1</td></tr> </table>		70			67	66	65							58	57		55				49		47			44	43	42	41	40	39		37		35		73			32		30			27		25	24			21	20	19	18				16	15		13			10	9	8			6	5	3	2																		1												
	70			67	66	65							58	57		55																																																																																												
		49		47			44	43	42	41	40	39		37		35																																																																																												
73			32		30			27		25	24			21	20	19	18																																																																																											
			16	15		13			10	9	8			6	5	3	2																																																																																											
																	1																																																																																											
AVAILABLE	NOT APPLICABLE	34566-1943	0	A	BLACK	<table border="1"> <tr><td></td><td>70</td><td></td><td></td><td>67</td><td>66</td><td>65</td><td></td><td></td><td></td><td></td><td></td><td></td><td>58</td><td>57</td><td></td><td>55</td><td></td></tr> <tr><td></td><td>51</td><td></td><td>49</td><td></td><td>47</td><td></td><td></td><td>44</td><td>43</td><td>42</td><td>41</td><td>40</td><td>39</td><td></td><td>37</td><td></td><td>35</td></tr> <tr><td colspan="2">73</td><td></td><td>32</td><td></td><td>30</td><td></td><td></td><td>27</td><td></td><td>25</td><td>24</td><td></td><td></td><td>21</td><td>20</td><td>19</td><td>18</td></tr> <tr><td colspan="2"></td><td></td><td>16</td><td>15</td><td></td><td>13</td><td></td><td></td><td>10</td><td>9</td><td>8</td><td></td><td></td><td>6</td><td>5</td><td>3</td><td>2</td></tr> <tr><td colspan="2"></td><td></td><td></td><td></td><td></td><td></td><td></td><td></td><td></td><td></td><td></td><td></td><td></td><td></td><td></td><td></td><td>1</td></tr> </table>		70			67	66	65							58	57		55			51		49		47			44	43	42	41	40	39		37		35	73			32		30			27		25	24			21	20	19	18				16	15		13			10	9	8			6	5	3	2																		1												
	70			67	66	65							58	57		55																																																																																												
	51		49		47			44	43	42	41	40	39		37		35																																																																																											
73			32		30			27		25	24			21	20	19	18																																																																																											
			16	15		13			10	9	8			6	5	3	2																																																																																											
																	1																																																																																											
AVAILABLE	NOT APPLICABLE	34566-1953	0	C	BLUE	<table border="1"> <tr><td>72</td><td>70</td><td></td><td></td><td></td><td>66</td><td></td><td></td><td>63</td><td></td><td></td><td></td><td>59</td><td>57</td><td></td><td></td><td>53</td></tr> <tr><td>52</td><td>51</td><td></td><td></td><td>48</td><td>47</td><td>46</td><td></td><td>44</td><td>42</td><td>40</td><td>39</td><td></td><td></td><td></td><td>34</td><td>33</td></tr> <tr><td colspan="2">73</td><td></td><td></td><td></td><td>30</td><td></td><td></td><td></td><td>26</td><td>25</td><td></td><td></td><td>22</td><td>21</td><td>20</td><td></td></tr> <tr><td colspan="2"></td><td></td><td></td><td></td><td>15</td><td>14</td><td></td><td></td><td>10</td><td>9</td><td></td><td></td><td>6</td><td>5</td><td>4</td><td></td></tr> </table>	72	70				66			63				59	57			53	52	51			48	47	46		44	42	40	39				34	33	73					30				26	25			22	21	20							15	14			10	9			6	5	4																																			
72	70				66			63				59	57			53																																																																																												
52	51			48	47	46		44	42	40	39				34	33																																																																																												
73					30				26	25			22	21	20																																																																																													
					15	14			10	9			6	5	4																																																																																													
AVAILABLE	NOT APPLICABLE	34566-1963	0	C	BLUE	<table border="1"> <tr><td>72</td><td>70</td><td></td><td></td><td></td><td>66</td><td></td><td></td><td>63</td><td></td><td></td><td></td><td>59</td><td>57</td><td></td><td></td><td>53</td></tr> <tr><td>52</td><td>51</td><td></td><td></td><td></td><td>46</td><td></td><td>44</td><td>42</td><td>40</td><td>39</td><td></td><td></td><td></td><td></td><td>34</td><td>33</td></tr> <tr><td colspan="2">73</td><td></td><td></td><td></td><td>30</td><td></td><td></td><td></td><td>26</td><td>25</td><td></td><td></td><td>22</td><td>21</td><td>20</td><td></td></tr> <tr><td colspan="2"></td><td></td><td></td><td></td><td>15</td><td>14</td><td></td><td></td><td>10</td><td>9</td><td></td><td></td><td>6</td><td>5</td><td>4</td><td></td></tr> </table>	72	70				66			63				59	57			53	52	51				46		44	42	40	39					34	33	73					30				26	25			22	21	20							15	14			10	9			6	5	4																																			
72	70				66			63				59	57			53																																																																																												
52	51				46		44	42	40	39					34	33																																																																																												
73					30				26	25			22	21	20																																																																																													
					15	14			10	9			6	5	4																																																																																													


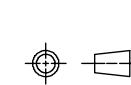
<b>QUALITY SYMBOLS</b> = 0 = 0 = 0 = 0 = 0 = 0 = 0 = 0	THIS DRAWING CONTAINS INFORMATION THAT IS PROPRIETARY TO MOLEX ELECTRONIC TECHNOLOGIES, LLC AND SHOULD NOT BE USED WITHOUT WRITTEN PERMISSION											
	EC NO: 115716	DRWN: TYE	CHKD: JDENG02	REV: APPR: JDENG02	2017/04/12	2017/04/21	GENERAL TOLERANCES (UNLESS SPECIFIED)		DIMENSION UNITS	SCALE	 MX123 66/73/80CKT HRNS CONN ASSY PRODUCT CUSTOMER DRAWING	
	4 PLACES ±		ANGULAR TOL ± °		MM	1:1	DRWN BY	DATE	SKRAJENDRANA 2011/02/14			
	3 PLACES ±						CHKD BY	DATE	MVANSLAMBROU 2011/02/14			
	2 PLACES ±						APPR BY	DATE				
	1 PLACE ±											
	0 PLACES ±						DRAFT WHERE APPLICABLE MUST REMAIN WITHIN DIMENSIONS		DRAWING SIZE	THIRD ANGLE PROJECTION	SERIES: 34566 MATERIAL NUMBER: SEE BOM TABLE CUSTOMER: GENERAL MARKET	
	D										DOCUMENT NUMBER: SD-34566-001	
											DOC TYPE: PSD	
											DOC PART: 000	
										SHEET NUMBER: 24 OF 93		







STATUS	GM PART #	MATERIAL #	WIRE DRESS OPTION	KEY OPTION ▽	COLOR (TPA) ▽	NUMBERS INDICATE CAVITIES OPEN FOR CIRCUITS ▽																																																																
AVAILABLE	NOT APPLICABLE	34566-2293	0	C	BLUE	<table border="1"> <tr><td>72</td><td>70</td><td>68</td><td>66</td><td>63</td><td>59</td><td>57</td><td>53</td></tr> <tr><td>52</td><td>51</td><td>48</td><td>47</td><td>46</td><td>44</td><td>42</td><td>40</td><td>39</td><td>34</td><td>33</td></tr> <tr><td colspan="2">73</td><td></td><td>30</td><td>26</td><td>25</td><td>22</td><td>21</td><td></td><td></td><td></td></tr> <tr><td></td><td></td><td>15</td><td>14</td><td>10</td><td>9</td><td>6</td><td></td><td></td><td></td><td></td></tr> </table>	72	70	68	66	63	59	57	53	52	51	48	47	46	44	42	40	39	34	33	73			30	26	25	22	21						15	14	10	9	6																											
72	70	68	66	63	59	57	53																																																															
52	51	48	47	46	44	42	40	39	34	33																																																												
73			30	26	25	22	21																																																															
		15	14	10	9	6																																																																
AVAILABLE	NOT APPLICABLE	34566-2313	0	C	BLUE	<table border="1"> <tr><td>72</td><td>70</td><td>66</td><td>63</td><td>59</td><td>57</td><td>53</td></tr> <tr><td>52</td><td>51</td><td>46</td><td>44</td><td>42</td><td>40</td><td>39</td><td>34</td><td>33</td></tr> <tr><td colspan="2">73</td><td></td><td>30</td><td>26</td><td>25</td><td>22</td><td>21</td><td></td><td></td></tr> <tr><td></td><td></td><td>15</td><td>14</td><td>10</td><td>9</td><td>6</td><td></td><td></td><td></td></tr> </table>	72	70	66	63	59	57	53	52	51	46	44	42	40	39	34	33	73			30	26	25	22	21					15	14	10	9	6																															
72	70	66	63	59	57	53																																																																
52	51	46	44	42	40	39	34	33																																																														
73			30	26	25	22	21																																																															
		15	14	10	9	6																																																																
AVAILABLE	NOT APPLICABLE	34566-2323	0	C	BLUE	<table border="1"> <tr><td>72</td><td>70</td><td>68</td><td>66</td><td>63</td><td>59</td><td>57</td><td>53</td></tr> <tr><td>52</td><td>51</td><td>48</td><td>47</td><td>46</td><td>44</td><td>42</td><td>40</td><td>39</td><td>34</td><td>33</td></tr> <tr><td colspan="2">73</td><td></td><td>30</td><td>26</td><td>25</td><td>22</td><td>21</td><td>20</td><td></td><td></td></tr> <tr><td></td><td></td><td>15</td><td>14</td><td>10</td><td>9</td><td>6</td><td>5</td><td>4</td><td></td><td></td></tr> </table>	72	70	68	66	63	59	57	53	52	51	48	47	46	44	42	40	39	34	33	73			30	26	25	22	21	20					15	14	10	9	6	5	4																									
72	70	68	66	63	59	57	53																																																															
52	51	48	47	46	44	42	40	39	34	33																																																												
73			30	26	25	22	21	20																																																														
		15	14	10	9	6	5	4																																																														
AVAILABLE	NOT APPLICABLE	34566-2333	0	A	BLACK	<table border="1"> <tr><td>71</td><td>69</td><td>68</td><td>65</td><td>64</td><td>63</td><td>61</td><td>59</td><td>57</td><td>56</td><td>53</td></tr> <tr><td>52</td><td>50</td><td>49</td><td>47</td><td></td><td></td><td>41</td><td>39</td><td>38</td><td>37</td><td>36</td><td>34</td><td>33</td></tr> <tr><td colspan="2">73</td><td>32</td><td>31</td><td>30</td><td>29</td><td>28</td><td>27</td><td>24</td><td>23</td><td>22</td><td>20</td><td>19</td><td>18</td><td>1</td></tr> <tr><td></td><td></td><td>16</td><td></td><td></td><td>13</td><td>12</td><td>11</td><td>10</td><td>9</td><td></td><td></td><td></td><td></td><td></td></tr> </table>	71	69	68	65	64	63	61	59	57	56	53	52	50	49	47			41	39	38	37	36	34	33	73		32	31	30	29	28	27	24	23	22	20	19	18	1			16			13	12	11	10	9															
71	69	68	65	64	63	61	59	57	56	53																																																												
52	50	49	47			41	39	38	37	36	34	33																																																										
73		32	31	30	29	28	27	24	23	22	20	19	18	1																																																								
		16			13	12	11	10	9																																																													
AVAILABLE	NOT APPLICABLE	34566-2343	0	A	BLACK	<table border="1"> <tr><td>72</td><td>70</td><td>68</td><td>67</td><td>66</td><td>65</td><td>58</td><td>57</td><td>55</td><td></td><td></td></tr> <tr><td></td><td></td><td>49</td><td>47</td><td></td><td>44</td><td>43</td><td>42</td><td>41</td><td>39</td><td>37</td><td>35</td><td></td><td></td></tr> <tr><td colspan="2">73</td><td>32</td><td>30</td><td></td><td>27</td><td>25</td><td>24</td><td></td><td></td><td>21</td><td>20</td><td>19</td><td>18</td><td>17</td></tr> <tr><td></td><td></td><td>15</td><td>14</td><td>13</td><td></td><td>9</td><td>8</td><td></td><td></td><td>6</td><td>5</td><td>3</td><td></td><td>1</td></tr> </table>	72	70	68	67	66	65	58	57	55					49	47		44	43	42	41	39	37	35			73		32	30		27	25	24			21	20	19	18	17			15	14	13		9	8			6	5	3		1									
72	70	68	67	66	65	58	57	55																																																														
		49	47		44	43	42	41	39	37	35																																																											
73		32	30		27	25	24			21	20	19	18	17																																																								
		15	14	13		9	8			6	5	3		1																																																								
AVAILABLE	NOT APPLICABLE	34566-2353	0	A	BLACK	<table border="1"> <tr><td>72</td><td>70</td><td>67</td><td>66</td><td>65</td><td>58</td><td>57</td><td>55</td><td></td><td></td></tr> <tr><td></td><td></td><td>49</td><td>47</td><td></td><td>44</td><td>43</td><td>42</td><td>41</td><td>39</td><td>37</td><td>35</td><td></td><td></td></tr> <tr><td colspan="2">73</td><td>32</td><td>30</td><td></td><td>27</td><td>25</td><td>24</td><td></td><td></td><td>21</td><td>20</td><td>19</td><td>18</td><td>17</td></tr> <tr><td></td><td></td><td>15</td><td>14</td><td>13</td><td></td><td>9</td><td>8</td><td></td><td></td><td>6</td><td>5</td><td>3</td><td></td><td>1</td></tr> </table>	72	70	67	66	65	58	57	55					49	47		44	43	42	41	39	37	35			73		32	30		27	25	24			21	20	19	18	17			15	14	13		9	8			6	5	3		1										
72	70	67	66	65	58	57	55																																																															
		49	47		44	43	42	41	39	37	35																																																											
73		32	30		27	25	24			21	20	19	18	17																																																								
		15	14	13		9	8			6	5	3		1																																																								
AVAILABLE	NOT APPLICABLE	34566-2363	0	C	BLUE	<table border="1"> <tr><td>72</td><td>70</td><td>67</td><td>66</td><td>63</td><td>62</td><td>59</td><td>57</td><td>53</td></tr> <tr><td>52</td><td>51</td><td></td><td>46</td><td>44</td><td>42</td><td>40</td><td>39</td><td>38</td><td></td><td></td><td>34</td><td>33</td></tr> <tr><td colspan="2">73</td><td>32</td><td>30</td><td></td><td>27</td><td>26</td><td>25</td><td>22</td><td>21</td><td>20</td><td></td><td></td></tr> <tr><td></td><td></td><td>15</td><td>14</td><td></td><td>10</td><td>9</td><td></td><td>6</td><td>5</td><td>4</td><td></td><td></td></tr> </table>	72	70	67	66	63	62	59	57	53	52	51		46	44	42	40	39	38			34	33	73		32	30		27	26	25	22	21	20					15	14		10	9		6	5	4																		
72	70	67	66	63	62	59	57	53																																																														
52	51		46	44	42	40	39	38			34	33																																																										
73		32	30		27	26	25	22	21	20																																																												
		15	14		10	9		6	5	4																																																												
AVAILABLE	NOT APPLICABLE	34566-2373	0	B	ST GRAY	<table border="1"> <tr><td>68</td><td>67</td><td>66</td><td>65</td><td>64</td><td>61</td><td>60</td><td>59</td><td>58</td><td>57</td><td>55</td><td>54</td><td>53</td></tr> <tr><td>51</td><td>50</td><td>49</td><td>48</td><td>47</td><td>46</td><td>45</td><td>43</td><td>42</td><td>41</td><td>40</td><td>39</td><td>38</td><td>37</td><td>35</td><td>34</td><td>33</td></tr> <tr><td colspan="2">73</td><td>32</td><td>31</td><td>30</td><td></td><td></td><td>26</td><td>24</td><td>23</td><td>22</td><td>21</td><td>20</td><td></td><td></td><td></td><td></td></tr> <tr><td></td><td></td><td>16</td><td>15</td><td>14</td><td>13</td><td></td><td>10</td><td>9</td><td>8</td><td>7</td><td>6</td><td>5</td><td>4</td><td>3</td><td>2</td><td></td></tr> </table>	68	67	66	65	64	61	60	59	58	57	55	54	53	51	50	49	48	47	46	45	43	42	41	40	39	38	37	35	34	33	73		32	31	30			26	24	23	22	21	20							16	15	14	13		10	9	8	7	6	5	4	3	2	
68	67	66	65	64	61	60	59	58	57	55	54	53																																																										
51	50	49	48	47	46	45	43	42	41	40	39	38	37	35	34	33																																																						
73		32	31	30			26	24	23	22	21	20																																																										
		16	15	14	13		10	9	8	7	6	5	4	3	2																																																							
AVAILABLE	NOT APPLICABLE	34566-2383	0	B	ST GRAY	<table border="1"> <tr><td>65</td><td>59</td><td>57</td><td>55</td><td>53</td></tr> <tr><td>50</td><td>49</td><td>48</td><td>46</td><td></td><td></td><td>39</td><td>37</td><td>35</td><td>33</td></tr> <tr><td colspan="2">73</td><td></td><td>29</td><td></td><td></td><td>24</td><td>23</td><td>21</td><td></td><td></td><td></td><td></td></tr> <tr><td></td><td></td><td>15</td><td></td><td></td><td></td><td>7</td><td>6</td><td>5</td><td>4</td><td>3</td><td></td><td></td></tr> </table>	65	59	57	55	53	50	49	48	46			39	37	35	33	73			29			24	23	21							15				7	6	5	4	3																									
65	59	57	55	53																																																																		
50	49	48	46			39	37	35	33																																																													
73			29			24	23	21																																																														
		15				7	6	5	4	3																																																												

<b>QUALITY SYMBOLS</b> ▽ = 0 ▽ = 0 ▽ = 0 ▽ = 0 ▽ = 0 ▽ = 0 ▽ = 0 ▽ = 0 ▽ = 0	THIS DRAWING CONTAINS INFORMATION THAT IS PROPRIETARY TO MOLEX ELECTRONIC TECHNOLOGIES, LLC AND SHOULD NOT BE USED WITHOUT WRITTEN PERMISSION											
	2017/04/12	2017/04/21	GENERAL TOLERANCES (UNLESS SPECIFIED)		DIMENSION UNITS	SCALE	 MX123 66/73/80CKT HRNS CONN ASSY PRODUCT CUSTOMER DRAWING					
	DRWN: TYE	CHKD: JDENG02	ANGULAR TOL ± °		MM	1:1						
	EC NO: 115716	REV: APPR: JDENG02	4 PLACES ±	SKRAJENDRANA	DATE	2011/02/14						
			3 PLACES ±	CHKD BY	DATE							
			2 PLACES ±	MVANSLAMBROU	DATE	2011/02/14						
			1 PLACE ±	APPR BY	DATE							
			0 PLACES ±	DRAWING SIZE								THIRD ANGLE PROJECTION
			DRAFT WHERE APPLICABLE MUST REMAIN WITHIN DIMENSIONS			D						
			SERIES		MATERIAL NUMBER	CUSTOMER						
		34566	SEE BOM TABLE	GENERAL MARKET								
		DOCUMENT NUMBER		DOC TYPE	DOC PART	SHEET NUMBER						
		SD-34566-001		PSD	000	28 OF 93						

STATUS	GM PART #	MATERIAL #	WIRE DRESS OPTION	KEY OPTION 	COLOR (TPA) 	NUMBERS INDICATE CAVITIES OPEN FOR CIRCUITS 																			
						Cavity Numbers (1-73)																			
AVAILABLE	NOT APPLICABLE	34566-2393	0	B	ST GRY	[Cavity Grid for Part 34566-2393]																			
AVAILABLE	NOT APPLICABLE	34566-2413	0	A	BLACK	[Cavity Grid for Part 34566-2413]																			
AVAILABLE	NOT APPLICABLE	34566-2423	0	A	BLACK	[Cavity Grid for Part 34566-2423]																			
AVAILABLE	NOT APPLICABLE	34566-2433	0	A	BLACK	[Cavity Grid for Part 34566-2433]																			
AVAILABLE	NOT APPLICABLE	34566-2443	0	C	BLUE	[Cavity Grid for Part 34566-2443]																			
AVAILABLE	NOT APPLICABLE	34566-2453	0	A	BLACK	[Cavity Grid for Part 34566-2453]																			
AVAILABLE	NOT APPLICABLE	34566-2463	0	A	BLACK	[Cavity Grid for Part 34566-2463]																			
AVAILABLE	NOT APPLICABLE	34566-2473	0	A	BLACK	[Cavity Grid for Part 34566-2473]																			

<b>QUALITY SYMBOLS</b> = 0 = 0 = 0 = 0 = 0 = 0 = 0 = 0 = 0	THIS DRAWING CONTAINS INFORMATION THAT IS PROPRIETARY TO MOLEX ELECTRONIC TECHNOLOGIES, LLC AND SHOULD NOT BE USED WITHOUT WRITTEN PERMISSION																						
	2017/04/12 2017/04/21	GENERAL TOLERANCES (UNLESS SPECIFIED)	DIMENSION UNITS	SCALE																			
		ANGULAR TOL ±	MM	1:1																			
		4 PLACES ±	DRWN BY	DATE																			
	2017/04/12 2017/04/21	3 PLACES ±	SKRAJENDRANA	2011/02/14																			
		2 PLACES ±	CHKD BY	DATE																			
		1 PLACE ±	MVANSLAMBROU	2011/02/14																			
		0 PLACES ±	APPR BY	DATE																			
		DRAFT WHERE APPLICABLE MUST REMAIN WITHIN DIMENSIONS	DRAWING SIZE	THIRD ANGLE PROJECTION																			
	EC NO: 115716	DRWN: TYE	G50	D	D	D	D	D	D	D	D	D	D	D	D	D	D	D	D	D	D	D	D
REV: APPR: JDENG02	CHKD:																						
SERIES: 34566			MATERIAL NUMBER: SEE BOM TABLE			CUSTOMER: GENERAL MARKET			DOCUMENT NUMBER: SD-34566-001		DOC TYPE: PSD		DOC PART: 000		SHEET NUMBER: 29 OF 93								

19

18

17

16

15

14

13

12

11

10

9

8

7

6

5

4

3

2

1







STATUS	GM PART #	MATERIAL #	WIRE DRESS OPTION	KEY OPTION	COLOR (TPA)	NUMBERS INDICATE CAVITIES OPEN FOR CIRCUITS	
AVAILABLE	NOT APPLICABLE	34566-2683	0	H	ST GRAY	78	72 71 70 69 68 67 66 65 64 63 61 60 59 58 57 56 53 52 51 50 48 47 44 43 41 40 37 35 34 32 30 29 27 26 22 21 20 19 18 17 16 13 12 8 7 6 5 4 3 2 1
AVAILABLE	NOT APPLICABLE	34566-2693	0	B	ST GRAY	71 70 68 66 65 60 59 58 57 54 53 51 50 49 48 46 45 43 42 41 40 39 38 37 36 35 33 73 32 31 30 24 23 22 20 16 15 13 12 11 10 9 8 7 6 5 4	
AVAILABLE	NOT APPLICABLE	34566-2713	0	A	BLACK	69 68 65 64 63 61 60 59 58 56 52 50 49 47 44 43 42 41 40 39 38 37 36 34 33 73 32 31 30 29 28 27 25 24 23 20 19 18 17 16 13 12 11 10 9	
AVAILABLE	NOT APPLICABLE	34566-2723	0	B	ST GRAY	71 70 68 66 65 64 63 60 59 58 57 56 55 54 53 51 50 49 48 46 45 43 42 41 40 39 38 37 36 35 33 73 32 31 30 24 23 22 20 19 16 15 13 12 11 10 9 8 7 6 5 4 3 2	
AVAILABLE	NOT APPLICABLE	34566-2733	0	A	BLACK	70 68 67 66 65 58 57 55 49 47 44 43 42 41 39 37 36 35 34 33 73 32 30 27 25 24 23 21 20 19 18 17 16 15 13 10 9 8 6 5 3 2 1	
AVAILABLE	NOT APPLICABLE	34566-2743	0	C	BLUE	72 70 67 66 63 62 59 57 53 52 51 46 44 42 40 39 37 34 33 73 32 30 26 25 22 21 20 15 14 10 9 6 5 4	
AVAILABLE	NOT APPLICABLE	34566-2753	0	A	BLACK	63 62 61 58 57 56 55 54 53 52 51 49 44 43 42 41 37 36 35 34 33 73 32 29 28 27 26 19 18 16 15 13 12 11 10 3	
AVAILABLE	NOT APPLICABLE	34566-2763	0	B	ST GRAY	72 71 70 68 67 66 62 61 60 59 58 57 56 55 54 53 52 51 50 48 47 46 42 41 40 39 38 37 36 35 34 33 73 32 31 30 29 28 27 26 25 24 20 19 18 17 16 15 14 13 10 9 8	
AVAILABLE	NOT APPLICABLE	34566-2773	0	H	ST GRAY	61 53 32 20 9 5 1	
AVAILABLE	NOT APPLICABLE	34566-2783	9	H	ST GRAY	61 53 32 20 9 5 1	

QUALITY SYMBOLS = 0 = 0 = 0 = 0 = 0 = 0 = 0	THIS DRAWING CONTAINS INFORMATION THAT IS PROPRIETARY TO MOLEX ELECTRONIC TECHNOLOGIES, LLC AND SHOULD NOT BE USED WITHOUT WRITTEN PERMISSION				<b>molex</b>  MX123 66/73/80CKT HRNS CONN ASSY  PRODUCT CUSTOMER DRAWING
EC NO: 115716 DRWN: TYE CHKD: REV APPR: JDENG02	2017/04/12 2017/04/21	GENERAL TOLERANCES (UNLESS SPECIFIED) ANGULAR TOL ± ° 4 PLACES ± 3 PLACES ± 2 PLACES ± 1 PLACE ± 0 PLACES ±	DIMENSION UNITS: MM SCALE: 1:1	DRWN BY: SKRAJENDRANA DATE: 2011/02/14 CHKD BY: MVANSLAMBROU DATE: 2011/02/14 APPR BY:	
DRAFT WHERE APPLICABLE MUST REMAIN WITHIN DIMENSIONS		DRAWING SIZE: D 	THIRD ANGLE PROJECTION	SERIES: 34566 MATERIAL NUMBER: SEE BOM TABLE CUSTOMER: GENERAL MARKET	
<b>G50</b>		DOCUMENT NUMBER: SD-34566-001 DOC TYPE: PSD DOC PART: 000 SHEET NUMBER: 32 OF 93			

Table with columns: STATUS, GM PART #, MATERIAL #, WIRE DRESS OPTION, KEY OPTION, COLOR (TPA), NUMBERS INDICATE CAVITIES OPEN FOR CIRCUITS. Contains 9 rows of part specifications and their corresponding pin configurations.

Technical drawing header and title block containing: QUALITY SYMBOLS, revision history (G50), EC NO: 115716, DRWN: TYE, CHKD: JDENG02, APPR: JDENG02, DIMENSION UNITS (MM), SCALE (1:1), and drawing title: 66/73/80CKT HRNS CONN ASSY.

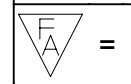
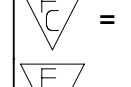
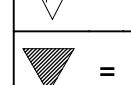
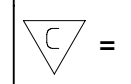
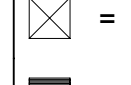
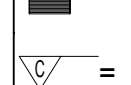
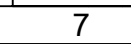

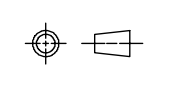
STATUS	GM PART #	MATERIAL #	WIRE DRESS OPTION	KEY OPTION	COLOR (TPA)	NUMBERS INDICATE CAVITIES OPEN FOR CIRCUITS																																																																						
AVAILABLE	NOT APPLICABLE	34566-2893	0	A	BLACK	<table border="1"> <tr><td>72</td><td></td><td></td><td>69</td><td>67</td><td>65</td><td>63</td><td></td><td>60</td><td></td><td>57</td><td>56</td><td></td><td>53</td></tr> <tr><td></td><td></td><td></td><td>49</td><td>47</td><td>46</td><td>44</td><td>43</td><td></td><td>40</td><td></td><td>37</td><td>36</td><td>35</td><td>33</td></tr> <tr><td></td><td></td><td></td><td></td><td>31</td><td>30</td><td>29</td><td>28</td><td></td><td>24</td><td></td><td>21</td><td>20</td><td></td><td>17</td></tr> <tr><td></td><td></td><td></td><td></td><td>16</td><td>15</td><td>14</td><td>13</td><td></td><td>11</td><td>10</td><td></td><td>5</td><td>4</td><td>3</td><td>2</td><td>1</td></tr> </table>	72			69	67	65	63		60		57	56		53				49	47	46	44	43		40		37	36	35	33					31	30	29	28		24		21	20		17					16	15	14	13		11	10		5	4	3	2	1									
72			69	67	65	63		60		57	56		53																																																															
			49	47	46	44	43		40		37	36	35	33																																																														
				31	30	29	28		24		21	20		17																																																														
				16	15	14	13		11	10		5	4	3	2	1																																																												
AVAILABLE	NOT APPLICABLE	34566-2913	0	B	ST GRY	<table border="1"> <tr><td></td><td></td><td></td><td>68</td><td>67</td><td></td><td>64</td><td></td><td></td><td></td><td></td><td>58</td><td></td><td></td><td></td><td></td><td></td></tr> <tr><td></td><td></td><td></td><td></td><td></td><td>46</td><td>45</td><td></td><td></td><td></td><td></td><td>38</td><td></td><td></td><td></td><td></td><td></td></tr> <tr><td></td><td></td><td></td><td></td><td>32</td><td></td><td>30</td><td>29</td><td>28</td><td>27</td><td></td><td></td><td>22</td><td></td><td></td><td></td><td>17</td></tr> <tr><td></td><td></td><td></td><td></td><td></td><td>15</td><td>13</td><td></td><td></td><td>10</td><td></td><td></td><td></td><td></td><td></td><td></td><td>1</td></tr> </table>				68	67		64					58											46	45					38										32		30	29	28	27			22				17						15	13			10							1		
			68	67		64					58																																																																	
					46	45					38																																																																	
				32		30	29	28	27			22				17																																																												
					15	13			10							1																																																												
AVAILABLE	NOT APPLICABLE	34566-2923	0	B	ST GRY	<table border="1"> <tr><td></td><td></td><td></td><td>68</td><td>67</td><td></td><td>64</td><td></td><td></td><td></td><td></td><td></td><td></td><td></td><td></td><td></td><td></td></tr> <tr><td></td><td></td><td></td><td></td><td></td><td>46</td><td>45</td><td></td><td></td><td></td><td></td><td></td><td></td><td></td><td></td><td></td><td></td></tr> <tr><td></td><td></td><td></td><td></td><td>32</td><td></td><td>30</td><td>29</td><td>28</td><td>27</td><td></td><td></td><td></td><td></td><td></td><td></td><td>17</td></tr> <tr><td></td><td></td><td></td><td></td><td></td><td>15</td><td>13</td><td></td><td></td><td>10</td><td></td><td></td><td></td><td></td><td></td><td></td><td></td></tr> </table>				68	67		64																46	45															32		30	29	28	27							17						15	13			10									
			68	67		64																																																																						
					46	45																																																																						
				32		30	29	28	27							17																																																												
					15	13			10																																																																			
AVAILABLE	NOT APPLICABLE	34566-2933	0	A	BLACK	<table border="1"> <tr><td>72</td><td></td><td></td><td>69</td><td>67</td><td>65</td><td>63</td><td></td><td>60</td><td></td><td>57</td><td>56</td><td></td><td>53</td></tr> <tr><td></td><td></td><td></td><td>49</td><td>47</td><td></td><td>44</td><td>43</td><td></td><td>40</td><td></td><td>37</td><td>36</td><td>35</td><td>33</td></tr> <tr><td></td><td></td><td></td><td></td><td>31</td><td>30</td><td>29</td><td>28</td><td></td><td>24</td><td></td><td>21</td><td>20</td><td></td><td>17</td></tr> <tr><td></td><td></td><td></td><td></td><td>16</td><td>15</td><td>14</td><td></td><td>11</td><td>10</td><td></td><td></td><td>5</td><td>4</td><td>3</td><td>2</td><td>1</td></tr> </table>	72			69	67	65	63		60		57	56		53				49	47		44	43		40		37	36	35	33					31	30	29	28		24		21	20		17					16	15	14		11	10			5	4	3	2	1									
72			69	67	65	63		60		57	56		53																																																															
			49	47		44	43		40		37	36	35	33																																																														
				31	30	29	28		24		21	20		17																																																														
				16	15	14		11	10			5	4	3	2	1																																																												
AVAILABLE	NOT APPLICABLE	34566-2943	0	B	ST GRY	<table border="1"> <tr><td></td><td></td><td></td><td>68</td><td>67</td><td></td><td>64</td><td>63</td><td></td><td></td><td>59</td><td>57</td><td></td><td></td><td></td><td></td><td></td></tr> <tr><td></td><td></td><td></td><td></td><td></td><td>46</td><td>45</td><td>43</td><td></td><td></td><td>39</td><td>37</td><td></td><td></td><td></td><td></td><td></td></tr> <tr><td></td><td></td><td></td><td></td><td>32</td><td></td><td>30</td><td>29</td><td>28</td><td>27</td><td></td><td></td><td>21</td><td></td><td></td><td></td><td></td></tr> <tr><td></td><td></td><td></td><td></td><td></td><td></td><td></td><td></td><td></td><td>10</td><td></td><td></td><td>6</td><td>5</td><td>4</td><td>3</td><td></td></tr> </table>				68	67		64	63			59	57											46	45	43			39	37										32		30	29	28	27			21														10			6	5	4	3			
			68	67		64	63			59	57																																																																	
					46	45	43			39	37																																																																	
				32		30	29	28	27			21																																																																
									10			6	5	4	3																																																													
AVAILABLE	NOT APPLICABLE	34566-2953	0	B	ST GRY	<table border="1"> <tr><td></td><td></td><td></td><td>68</td><td>67</td><td></td><td>64</td><td>63</td><td></td><td></td><td>59</td><td></td><td></td><td></td><td></td><td></td><td></td></tr> <tr><td></td><td></td><td></td><td></td><td></td><td>46</td><td>45</td><td>43</td><td></td><td></td><td>39</td><td></td><td></td><td></td><td></td><td>34</td><td></td></tr> <tr><td></td><td></td><td></td><td></td><td>32</td><td></td><td>30</td><td>29</td><td>28</td><td>27</td><td></td><td></td><td></td><td></td><td></td><td></td><td></td></tr> <tr><td></td><td></td><td></td><td></td><td></td><td></td><td></td><td></td><td></td><td>10</td><td></td><td></td><td>6</td><td>5</td><td>4</td><td>3</td><td></td></tr> </table>				68	67		64	63			59												46	45	43			39					34						32		30	29	28	27																	10			6	5	4	3			
			68	67		64	63			59																																																																		
					46	45	43			39					34																																																													
				32		30	29	28	27																																																																			
									10			6	5	4	3																																																													
AVAILABLE	NOT APPLICABLE	34566-2963	0	H	ST GRY	<table border="1"> <tr><td></td><td>79</td><td></td><td></td><td></td><td>74</td><td>73</td><td>72</td><td>71</td><td>69</td><td>68</td><td>67</td><td></td><td>64</td><td>62</td><td>61</td></tr> <tr><td></td><td>59</td><td></td><td></td><td></td><td>54</td><td>53</td><td>52</td><td></td><td>49</td><td>48</td><td>47</td><td></td><td></td><td>42</td><td>41</td></tr> <tr><td></td><td></td><td>38</td><td></td><td></td><td></td><td>33</td><td></td><td></td><td>29</td><td>27</td><td>25</td><td></td><td></td><td></td><td>21</td></tr> <tr><td></td><td></td><td></td><td></td><td></td><td>15</td><td>14</td><td></td><td>11</td><td>10</td><td>9</td><td>8</td><td>7</td><td></td><td></td><td></td></tr> </table>		79				74	73	72	71	69	68	67		64	62	61		59				54	53	52		49	48	47			42	41			38				33			29	27	25				21						15	14		11	10	9	8	7									
	79				74	73	72	71	69	68	67		64	62	61																																																													
	59				54	53	52		49	48	47			42	41																																																													
		38				33			29	27	25				21																																																													
					15	14		11	10	9	8	7																																																																
AVAILABLE	NOT APPLICABLE	34566-2973	0	G	BLUE	<table border="1"> <tr><td>80</td><td>78</td><td>77</td><td></td><td>75</td><td>74</td><td>73</td><td>72</td><td></td><td>70</td><td>69</td><td></td><td>67</td><td>65</td><td>64</td><td>63</td><td>62</td></tr> <tr><td>60</td><td>58</td><td>57</td><td></td><td>55</td><td>54</td><td></td><td>52</td><td>51</td><td>50</td><td>49</td><td></td><td>47</td><td>45</td><td></td><td></td><td></td></tr> <tr><td>40</td><td>38</td><td>37</td><td></td><td></td><td></td><td></td><td>33</td><td>32</td><td>31</td><td></td><td></td><td>27</td><td>26</td><td>25</td><td>24</td><td></td></tr> <tr><td>20</td><td>18</td><td>17</td><td></td><td></td><td></td><td></td><td></td><td></td><td>10</td><td>9</td><td>8</td><td></td><td>6</td><td>5</td><td></td><td>3</td><td>2</td><td>1</td></tr> </table>	80	78	77		75	74	73	72		70	69		67	65	64	63	62	60	58	57		55	54		52	51	50	49		47	45				40	38	37					33	32	31			27	26	25	24		20	18	17							10	9	8		6	5		3	2	1
80	78	77		75	74	73	72		70	69		67	65	64	63	62																																																												
60	58	57		55	54		52	51	50	49		47	45																																																															
40	38	37					33	32	31			27	26	25	24																																																													
20	18	17							10	9	8		6	5		3	2	1																																																										

<b>QUALITY SYMBOLS</b> = 0 = 0 = 0 = 0 = 0 = 0 = 0 = 0 = 0	THIS DRAWING CONTAINS INFORMATION THAT IS PROPRIETARY TO MOLEX ELECTRONIC TECHNOLOGIES, LLC AND SHOULD NOT BE USED WITHOUT WRITTEN PERMISSION									
	2017/04/12	2017/04/21	GENERAL TOLERANCES (UNLESS SPECIFIED)		DIMENSION UNITS	SCALE				
	DRWN: TYE	CHKD: JDENG02	ANGULAR TOL ± °		MM	1:1				
	EC NO: 115716	REV: APPR: JDENG02	4 PLACES ±	SKRAJENDRANA	DATE	2011/02/14				
			3 PLACES ±	CHKD BY	DATE					
			2 PLACES ±	MVANSLAMBROU	DATE	2011/02/14				
			1 PLACE ±	APPR BY	DATE					
			0 PLACES ±	DRAWING SIZE		THIRD ANGLE PROJECTION				
			DRAFT WHERE APPLICABLE MUST REMAIN WITHIN DIMENSIONS		D					
				SERIES	MATERIAL NUMBER	CUSTOMER				
			34566	SEE BOM TABLE	GENERAL MARKET					
			DOCUMENT NUMBER	DOC TYPE	DOC PART	SHEET NUMBER				
			SD-34566-001	PSD	000	34 OF 93				

STATUS	GM PART #	MATERIAL #	WIRE DRESS OPTION	KEY OPTION	COLOR (TPA)	NUMBERS INDICATE CAVITIES OPEN FOR CIRCUITS																																																																																												
AVAILABLE	NOT APPLICABLE	34566-9913	0	A	BLACK	<table border="1"> <tr><td>72</td><td>71</td><td></td><td></td><td>68</td><td>67</td><td>66</td><td>65</td><td>64</td><td></td><td></td><td></td><td></td><td></td><td>59</td><td></td><td></td><td></td><td></td><td></td></tr> <tr><td></td><td></td><td>50</td><td></td><td>48</td><td>47</td><td>46</td><td>45</td><td></td><td></td><td></td><td></td><td></td><td></td><td>40</td><td>39</td><td>38</td><td></td><td></td><td></td></tr> <tr><td></td><td></td><td>73</td><td></td><td></td><td>31</td><td>30</td><td></td><td></td><td></td><td></td><td></td><td></td><td>25</td><td>24</td><td></td><td>22</td><td>21</td><td>20</td><td></td><td></td><td></td><td>17</td></tr> <tr><td></td><td></td><td></td><td></td><td></td><td></td><td>14</td><td></td><td></td><td></td><td></td><td></td><td></td><td>9</td><td></td><td>7</td><td>6</td><td>5</td><td>4</td><td></td><td></td><td>2</td><td>1</td></tr> </table>	72	71			68	67	66	65	64						59								50		48	47	46	45							40	39	38						73			31	30							25	24		22	21	20				17							14							9		7	6	5	4			2	1						
72	71			68	67	66	65	64						59																																																																																				
		50		48	47	46	45							40	39	38																																																																																		
		73			31	30							25	24		22	21	20				17																																																																												
						14							9		7	6	5	4			2	1																																																																												
AVAILABLE	NOT APPLICABLE	34566-9923	0	A	BLACK	<table border="1"> <tr><td>72</td><td>71</td><td></td><td></td><td></td><td>67</td><td>66</td><td></td><td></td><td></td><td>62</td><td>61</td><td>60</td><td></td><td></td><td></td><td>57</td><td></td><td></td><td>55</td><td>54</td><td></td><td></td></tr> <tr><td></td><td>51</td><td></td><td></td><td>48</td><td></td><td>46</td><td>45</td><td>44</td><td>43</td><td>42</td><td></td><td></td><td>39</td><td></td><td></td><td></td><td></td><td></td><td>35</td><td></td><td>33</td><td></td></tr> <tr><td></td><td></td><td>73</td><td></td><td></td><td></td><td></td><td></td><td></td><td></td><td>26</td><td>25</td><td>24</td><td></td><td></td><td></td><td></td><td></td><td></td><td></td><td></td><td></td><td></td></tr> <tr><td></td><td></td><td></td><td></td><td></td><td>15</td><td>14</td><td></td><td></td><td></td><td></td><td></td><td></td><td>8</td><td>7</td><td>6</td><td>5</td><td>4</td><td>3</td><td>2</td><td></td><td></td><td></td></tr> </table>	72	71				67	66				62	61	60				57			55	54				51			48		46	45	44	43	42			39						35		33				73								26	25	24																15	14							8	7	6	5	4	3	2			
72	71				67	66				62	61	60				57			55	54																																																																														
	51			48		46	45	44	43	42			39						35		33																																																																													
		73								26	25	24																																																																																						
					15	14							8	7	6	5	4	3	2																																																																															
AVAILABLE	NOT APPLICABLE	34566-9933	0	B	ST GRY	<table border="1"> <tr><td></td><td></td><td></td><td></td><td>69</td><td></td><td></td><td></td><td>65</td><td>64</td><td>63</td><td></td><td></td><td></td><td></td><td></td><td></td><td></td><td></td><td></td><td></td><td></td><td></td></tr> <tr><td></td><td></td><td></td><td></td><td>49</td><td></td><td></td><td></td><td>45</td><td>44</td><td>43</td><td></td><td></td><td></td><td></td><td></td><td></td><td></td><td></td><td></td><td></td><td></td><td></td></tr> <tr><td></td><td></td><td>73</td><td></td><td></td><td></td><td></td><td></td><td></td><td></td><td></td><td></td><td></td><td></td><td></td><td></td><td>22</td><td>21</td><td>20</td><td>19</td><td>18</td><td>17</td><td></td></tr> <tr><td></td><td></td><td></td><td></td><td></td><td></td><td></td><td></td><td>12</td><td>11</td><td></td><td></td><td></td><td></td><td></td><td>6</td><td>5</td><td>4</td><td>3</td><td>2</td><td>1</td><td></td><td></td></tr> </table>					69				65	64	63																	49				45	44	43															73														22	21	20	19	18	17										12	11						6	5	4	3	2	1		
				69				65	64	63																																																																																								
				49				45	44	43																																																																																								
		73														22	21	20	19	18	17																																																																													
								12	11						6	5	4	3	2	1																																																																														
AVAILABLE	NOT APPLICABLE	34566-9943	0	C	BLUE	<table border="1"> <tr><td></td><td>71</td><td></td><td>69</td><td></td><td></td><td></td><td></td><td>65</td><td>64</td><td></td><td></td><td>61</td><td>60</td><td></td><td>58</td><td></td><td></td><td>56</td><td>55</td><td>54</td><td></td><td></td></tr> <tr><td></td><td></td><td>50</td><td>49</td><td></td><td></td><td></td><td></td><td>45</td><td></td><td>43</td><td></td><td>41</td><td></td><td></td><td></td><td></td><td>37</td><td>36</td><td>35</td><td></td><td></td><td></td></tr> <tr><td></td><td></td><td>73</td><td></td><td></td><td>31</td><td></td><td></td><td>29</td><td>28</td><td></td><td></td><td>24</td><td>23</td><td></td><td></td><td></td><td></td><td></td><td>19</td><td>18</td><td>17</td><td></td></tr> <tr><td></td><td></td><td></td><td></td><td></td><td>16</td><td></td><td></td><td>13</td><td>12</td><td>11</td><td></td><td></td><td>8</td><td>7</td><td></td><td></td><td></td><td></td><td>3</td><td>2</td><td>1</td><td></td></tr> </table>		71		69					65	64			61	60		58			56	55	54					50	49					45		43		41					37	36	35						73			31			29	28			24	23						19	18	17							16			13	12	11			8	7					3	2	1	
	71		69					65	64			61	60		58			56	55	54																																																																														
		50	49					45		43		41					37	36	35																																																																															
		73			31			29	28			24	23						19	18	17																																																																													
					16			13	12	11			8	7					3	2	1																																																																													
AVAILABLE	NOT APPLICABLE	34566-9953	0	A	BLACK	<table border="1"> <tr><td></td><td></td><td></td><td></td><td></td><td>67</td><td></td><td></td><td></td><td></td><td>62</td><td></td><td>60</td><td></td><td></td><td></td><td>57</td><td></td><td></td><td>55</td><td></td><td></td><td></td></tr> <tr><td></td><td>51</td><td></td><td></td><td>48</td><td></td><td>46</td><td>45</td><td>44</td><td>43</td><td></td><td></td><td></td><td>39</td><td></td><td></td><td></td><td></td><td></td><td>35</td><td></td><td></td><td></td></tr> <tr><td></td><td></td><td>73</td><td></td><td></td><td></td><td></td><td></td><td></td><td></td><td></td><td></td><td>25</td><td></td><td></td><td></td><td></td><td></td><td></td><td></td><td></td><td></td><td></td></tr> <tr><td></td><td></td><td></td><td></td><td></td><td>15</td><td>14</td><td></td><td></td><td></td><td></td><td></td><td></td><td>7</td><td>6</td><td>5</td><td>4</td><td>3</td><td>2</td><td></td><td></td><td></td><td></td></tr> </table>						67					62		60				57			55					51			48		46	45	44	43				39						35						73										25																15	14							7	6	5	4	3	2				
					67					62		60				57			55																																																																															
	51			48		46	45	44	43				39						35																																																																															
		73										25																																																																																						
					15	14							7	6	5	4	3	2																																																																																
AVAILABLE	NOT APPLICABLE	34566-9963	0	B	ST GRY	<table border="1"> <tr><td></td><td></td><td></td><td></td><td>68</td><td>67</td><td></td><td></td><td>64</td><td>63</td><td></td><td></td><td></td><td></td><td>58</td><td></td><td></td><td></td><td></td><td>55</td><td></td><td></td><td></td></tr> <tr><td></td><td></td><td></td><td></td><td></td><td></td><td>46</td><td>45</td><td></td><td>43</td><td></td><td></td><td></td><td></td><td>38</td><td></td><td></td><td></td><td></td><td>35</td><td></td><td></td><td></td></tr> <tr><td></td><td></td><td>73</td><td></td><td></td><td>32</td><td>30</td><td>29</td><td>28</td><td>27</td><td></td><td></td><td></td><td></td><td>22</td><td></td><td></td><td></td><td></td><td>19</td><td></td><td>17</td><td></td></tr> <tr><td></td><td></td><td></td><td></td><td></td><td>15</td><td></td><td>13</td><td></td><td></td><td>10</td><td></td><td></td><td></td><td></td><td></td><td></td><td></td><td></td><td></td><td></td><td></td><td>1</td></tr> </table>					68	67			64	63					58					55										46	45		43					38					35						73			32	30	29	28	27					22					19		17							15		13			10												1
				68	67			64	63					58					55																																																																															
						46	45		43					38					35																																																																															
		73			32	30	29	28	27					22					19		17																																																																													
					15		13			10												1																																																																												
AVAILABLE	NOT APPLICABLE	34566-9973	0	B	ST GRY	<table border="1"> <tr><td></td><td></td><td></td><td></td><td>68</td><td>67</td><td></td><td></td><td>64</td><td>63</td><td></td><td></td><td></td><td></td><td>58</td><td></td><td></td><td></td><td></td><td></td><td></td><td></td><td></td></tr> <tr><td></td><td></td><td></td><td></td><td></td><td></td><td>46</td><td>45</td><td></td><td>43</td><td></td><td></td><td></td><td></td><td>38</td><td></td><td></td><td></td><td></td><td></td><td></td><td></td><td></td></tr> <tr><td></td><td></td><td>73</td><td></td><td></td><td>32</td><td>30</td><td>29</td><td>28</td><td>27</td><td></td><td></td><td></td><td></td><td>22</td><td></td><td></td><td></td><td></td><td></td><td></td><td></td><td>17</td></tr> <tr><td></td><td></td><td></td><td></td><td></td><td>15</td><td></td><td>13</td><td></td><td></td><td>10</td><td></td><td></td><td></td><td></td><td></td><td></td><td></td><td></td><td></td><td></td><td></td><td></td></tr> </table>					68	67			64	63					58															46	45		43					38											73			32	30	29	28	27					22								17						15		13			10												
				68	67			64	63					58																																																																																				
						46	45		43					38																																																																																				
		73			32	30	29	28	27					22								17																																																																												
					15		13			10																																																																																								

<b>QUALITY SYMBOLS</b> = 0 = 0 = 0 = 0 = 0 = 0 = 0 = 0 = 0	THIS DRAWING CONTAINS INFORMATION THAT IS PROPRIETARY TO MOLEX ELECTRONIC TECHNOLOGIES, LLC AND SHOULD NOT BE USED WITHOUT WRITTEN PERMISSION									
	2017/04/12	2017/04/21	GENERAL TOLERANCES (UNLESS SPECIFIED)		DIMENSION UNITS	SCALE				
	MM	1:1								
	DRWN BY	DATE	ANGULAR TOL ± °		DRWN BY	DATE	MX123 66/73/80CKT HRNS CONN ASSY			
	SKRAJENDRANA	2011/02/14	4 PLACES ±		CHKD BY	DATE				
	MVANSLAMBROU	2011/02/14	3 PLACES ±		APPR BY	DATE	PRODUCT CUSTOMER DRAWING			
			2 PLACES ±		APPR BY	DATE				
			1 PLACE ±		APPR BY	DATE	SERIES MATERIAL NUMBER CUSTOMER 34566 SEE BOM TABLE GENERAL MARKET			
			0 PLACES ±		APPR BY	DATE				
	EC NO: 115716	DRWN: TYE	CHKD: JDENG02	REV: APPR: JDENG02	DRAFT WHERE APPLICABLE MUST REMAIN WITHIN DIMENSIONS	DRAWING SIZE	THIRD ANGLE PROJECTION	DOCUMENT NUMBER DOC TYPE DOC PART SHEET NUMBER SD-34566-001 PSD 000 35 OF 93		
G50				D						

STATUS	GM PART #	MATERIAL #	WIRE DRESS OPTION	KEY OPTION	COLOR (TPA)	NUMBERS INDICATE CAVITIES OPEN FOR CIRCUITS																																																																																				
AVAILABLE	NOT APPLICABLE	34566-2983	9	A	BLACK	<table border="1"> <tr><td></td><td></td><td>70</td><td>69</td><td></td><td></td><td></td><td></td><td></td><td></td><td>63</td><td>62</td><td>61</td><td></td><td></td><td>58</td><td>57</td><td>56</td><td>55</td><td>54</td><td>53</td></tr> <tr><td>52</td><td>51</td><td></td><td>49</td><td></td><td></td><td></td><td></td><td></td><td>44</td><td>43</td><td>42</td><td>41</td><td></td><td></td><td></td><td>37</td><td>36</td><td></td><td></td><td>34</td></tr> <tr><td colspan="2">73</td><td></td><td></td><td>32</td><td></td><td></td><td></td><td>29</td><td>28</td><td>27</td><td>26</td><td></td><td></td><td></td><td></td><td></td><td></td><td>19</td><td>18</td><td>17</td></tr> <tr><td colspan="2"></td><td></td><td></td><td>16</td><td>15</td><td></td><td></td><td>13</td><td>12</td><td>11</td><td>10</td><td></td><td></td><td></td><td></td><td></td><td></td><td>3</td><td>2</td><td>1</td></tr> </table>			70	69							63	62	61			58	57	56	55	54	53	52	51		49						44	43	42	41				37	36			34	73				32				29	28	27	26							19	18	17					16	15			13	12	11	10							3	2	1
		70	69							63	62	61			58	57	56	55	54	53																																																																						
52	51		49						44	43	42	41				37	36			34																																																																						
73				32				29	28	27	26							19	18	17																																																																						
				16	15			13	12	11	10							3	2	1																																																																						
AVAILABLE	NOT APPLICABLE	34566-2993	9	B	ST GRV	<table border="1"> <tr><td>72</td><td>71</td><td>70</td><td></td><td>68</td><td>67</td><td>66</td><td></td><td></td><td></td><td>62</td><td>61</td><td>60</td><td>59</td><td>58</td><td>57</td><td>56</td><td>55</td><td>54</td><td>53</td></tr> <tr><td>52</td><td>51</td><td>50</td><td></td><td>48</td><td>47</td><td>46</td><td></td><td></td><td></td><td>42</td><td>41</td><td>40</td><td>39</td><td>38</td><td>37</td><td>36</td><td>35</td><td>34</td><td>33</td></tr> <tr><td colspan="2">73</td><td></td><td></td><td>32</td><td>31</td><td>30</td><td>29</td><td>28</td><td>27</td><td>26</td><td>25</td><td>24</td><td></td><td></td><td></td><td></td><td></td><td></td><td></td></tr> <tr><td colspan="2"></td><td></td><td></td><td>16</td><td>15</td><td>14</td><td>13</td><td></td><td></td><td>10</td><td>9</td><td>8</td><td></td><td></td><td></td><td></td><td></td><td></td><td></td></tr> </table>	72	71	70		68	67	66				62	61	60	59	58	57	56	55	54	53	52	51	50		48	47	46				42	41	40	39	38	37	36	35	34	33	73				32	31	30	29	28	27	26	25	24												16	15	14	13			10	9	8											
72	71	70		68	67	66				62	61	60	59	58	57	56	55	54	53																																																																							
52	51	50		48	47	46				42	41	40	39	38	37	36	35	34	33																																																																							
73				32	31	30	29	28	27	26	25	24																																																																														
				16	15	14	13			10	9	8																																																																														
AVAILABLE	NOT APPLICABLE	34566-3013	9	C	BLUE	<table border="1"> <tr><td>72</td><td>71</td><td>70</td><td>69</td><td>68</td><td>67</td><td>66</td><td></td><td></td><td>63</td><td>62</td><td></td><td></td><td>59</td><td></td><td>57</td><td>56</td><td>55</td><td></td><td>53</td></tr> <tr><td>52</td><td>51</td><td></td><td></td><td></td><td></td><td>46</td><td></td><td>44</td><td></td><td>42</td><td></td><td>40</td><td>39</td><td>38</td><td></td><td></td><td></td><td></td><td>34</td><td>33</td></tr> <tr><td colspan="2">73</td><td></td><td></td><td>32</td><td></td><td>30</td><td></td><td></td><td></td><td>26</td><td>25</td><td></td><td></td><td>22</td><td>21</td><td></td><td></td><td>19</td><td>18</td></tr> <tr><td colspan="2"></td><td></td><td></td><td></td><td>15</td><td>14</td><td></td><td></td><td></td><td>10</td><td>9</td><td></td><td></td><td>6</td><td>5</td><td>4</td><td>3</td><td></td><td></td></tr> </table>	72	71	70	69	68	67	66			63	62			59		57	56	55		53	52	51					46		44		42		40	39	38					34	33	73				32		30				26	25			22	21			19	18						15	14				10	9			6	5	4	3					
72	71	70	69	68	67	66			63	62			59		57	56	55		53																																																																							
52	51					46		44		42		40	39	38					34	33																																																																						
73				32		30				26	25			22	21			19	18																																																																							
					15	14				10	9			6	5	4	3																																																																									
AVAILABLE	NOT APPLICABLE	34566-3023	0	G	BLUE	<table border="1"> <tr><td></td><td>79</td><td></td><td></td><td>76</td><td></td><td></td><td></td><td></td><td>71</td><td></td><td></td><td>68</td><td>66</td><td></td><td></td><td></td><td></td><td></td><td>61</td></tr> <tr><td></td><td>59</td><td></td><td></td><td>56</td><td></td><td></td><td>53</td><td></td><td></td><td></td><td>48</td><td>46</td><td></td><td></td><td>44</td><td>43</td><td>42</td><td>41</td><td></td></tr> <tr><td></td><td>39</td><td></td><td></td><td>36</td><td>35</td><td>34</td><td></td><td></td><td></td><td>30</td><td>29</td><td>28</td><td></td><td></td><td></td><td>23</td><td>22</td><td>21</td><td></td></tr> <tr><td></td><td>19</td><td></td><td></td><td>16</td><td>15</td><td>14</td><td>13</td><td>12</td><td>11</td><td></td><td></td><td></td><td>7</td><td></td><td></td><td>4</td><td></td><td></td><td></td></tr> </table>		79			76					71			68	66						61		59			56			53				48	46			44	43	42	41			39			36	35	34				30	29	28				23	22	21			19			16	15	14	13	12	11				7			4							
	79			76					71			68	66						61																																																																							
	59			56			53				48	46			44	43	42	41																																																																								
	39			36	35	34				30	29	28				23	22	21																																																																								
	19			16	15	14	13	12	11				7			4																																																																										
AVAILABLE	NOT APPLICABLE	34566-3033	0	H	ST GRV	<table border="1"> <tr><td>80</td><td></td><td>78</td><td>77</td><td>76</td><td>75</td><td></td><td></td><td></td><td>70</td><td></td><td></td><td></td><td>66</td><td>65</td><td></td><td>63</td><td></td><td></td><td></td></tr> <tr><td>60</td><td></td><td>58</td><td>57</td><td>56</td><td>55</td><td></td><td></td><td></td><td>51</td><td>50</td><td></td><td></td><td>46</td><td>45</td><td>44</td><td>43</td><td></td><td></td><td></td></tr> <tr><td>40</td><td>39</td><td></td><td>37</td><td>36</td><td>35</td><td>34</td><td></td><td></td><td>32</td><td>31</td><td>30</td><td></td><td>28</td><td>26</td><td>24</td><td>23</td><td>22</td><td></td><td></td></tr> <tr><td>20</td><td>19</td><td>18</td><td>17</td><td>16</td><td></td><td></td><td>13</td><td>12</td><td></td><td></td><td></td><td></td><td></td><td>6</td><td>5</td><td>4</td><td>3</td><td>2</td><td>1</td></tr> </table>	80		78	77	76	75				70				66	65		63				60		58	57	56	55				51	50			46	45	44	43				40	39		37	36	35	34			32	31	30		28	26	24	23	22			20	19	18	17	16			13	12						6	5	4	3	2	1				
80		78	77	76	75				70				66	65		63																																																																										
60		58	57	56	55				51	50			46	45	44	43																																																																										
40	39		37	36	35	34			32	31	30		28	26	24	23	22																																																																									
20	19	18	17	16			13	12						6	5	4	3	2	1																																																																							
AVAILABLE	NOT APPLICABLE	34566-3043	0	C	BLUE	<table border="1"> <tr><td>72</td><td></td><td>70</td><td></td><td>68</td><td></td><td>66</td><td></td><td></td><td>63</td><td>62</td><td></td><td></td><td>59</td><td></td><td>57</td><td></td><td></td><td></td><td>53</td></tr> <tr><td>52</td><td>51</td><td></td><td></td><td>48</td><td>47</td><td>46</td><td></td><td>44</td><td></td><td>42</td><td></td><td>40</td><td>39</td><td></td><td></td><td></td><td></td><td></td><td>34</td><td>33</td></tr> <tr><td colspan="2">73</td><td></td><td></td><td>32</td><td></td><td>30</td><td></td><td></td><td></td><td>27</td><td>26</td><td>25</td><td></td><td></td><td>22</td><td>21</td><td>20</td><td></td><td></td></tr> <tr><td colspan="2"></td><td></td><td></td><td></td><td>15</td><td>14</td><td>13</td><td></td><td></td><td>10</td><td>9</td><td></td><td></td><td></td><td>6</td><td>5</td><td>4</td><td></td><td></td></tr> </table>	72		70		68		66			63	62			59		57				53	52	51			48	47	46		44		42		40	39						34	33	73				32		30				27	26	25			22	21	20								15	14	13			10	9				6	5	4					
72		70		68		66			63	62			59		57				53																																																																							
52	51			48	47	46		44		42		40	39						34	33																																																																						
73				32		30				27	26	25			22	21	20																																																																									
					15	14	13			10	9				6	5	4																																																																									
AVAILABLE	NOT APPLICABLE	34566-3053	0	C	BLUE	<table border="1"> <tr><td>72</td><td></td><td>70</td><td></td><td>68</td><td></td><td>66</td><td></td><td></td><td>63</td><td>62</td><td></td><td></td><td>59</td><td></td><td>57</td><td></td><td></td><td></td><td>53</td></tr> <tr><td>52</td><td>51</td><td></td><td></td><td>48</td><td>47</td><td>46</td><td></td><td>44</td><td></td><td>42</td><td></td><td>40</td><td>39</td><td>38</td><td></td><td></td><td></td><td></td><td>34</td><td>33</td></tr> <tr><td colspan="2">73</td><td></td><td></td><td>32</td><td></td><td>30</td><td></td><td></td><td></td><td>27</td><td>26</td><td>25</td><td></td><td></td><td>22</td><td>21</td><td>20</td><td></td><td></td></tr> <tr><td colspan="2"></td><td></td><td></td><td></td><td>15</td><td>14</td><td>13</td><td></td><td></td><td>10</td><td>9</td><td></td><td></td><td></td><td>6</td><td>5</td><td>4</td><td></td><td></td></tr> </table>	72		70		68		66			63	62			59		57				53	52	51			48	47	46		44		42		40	39	38					34	33	73				32		30				27	26	25			22	21	20								15	14	13			10	9				6	5	4					
72		70		68		66			63	62			59		57				53																																																																							
52	51			48	47	46		44		42		40	39	38					34	33																																																																						
73				32		30				27	26	25			22	21	20																																																																									
					15	14	13			10	9				6	5	4																																																																									
AVAILABLE	NOT APPLICABLE	34566-3063	0	A	BLACK	<table border="1"> <tr><td></td><td>71</td><td></td><td>69</td><td></td><td></td><td></td><td></td><td>65</td><td>64</td><td>63</td><td></td><td></td><td>60</td><td></td><td>58</td><td>57</td><td>56</td><td>55</td><td>54</td><td>53</td></tr> <tr><td>52</td><td>51</td><td></td><td>49</td><td></td><td></td><td></td><td></td><td>45</td><td>44</td><td>43</td><td>42</td><td>41</td><td></td><td></td><td></td><td>37</td><td>36</td><td>35</td><td>34</td><td>33</td></tr> <tr><td colspan="2">73</td><td></td><td></td><td>32</td><td></td><td></td><td></td><td>30</td><td></td><td>28</td><td></td><td>26</td><td></td><td></td><td></td><td></td><td></td><td></td><td>19</td><td>18</td></tr> <tr><td colspan="2"></td><td></td><td></td><td>16</td><td></td><td></td><td></td><td>12</td><td></td><td>10</td><td></td><td></td><td></td><td></td><td></td><td></td><td></td><td></td><td>3</td><td></td></tr> </table>		71		69					65	64	63			60		58	57	56	55	54	53	52	51		49					45	44	43	42	41				37	36	35	34	33	73				32				30		28		26							19	18					16				12		10									3	
	71		69					65	64	63			60		58	57	56	55	54	53																																																																						
52	51		49					45	44	43	42	41				37	36	35	34	33																																																																						
73				32				30		28		26							19	18																																																																						
				16				12		10									3																																																																							

<b>QUALITY SYMBOLS</b>  = 0  = 0  = 0  = 0  = 0  = 0  = 0	THIS DRAWING CONTAINS INFORMATION THAT IS PROPRIETARY TO MOLEX ELECTRONIC TECHNOLOGIES, LLC AND SHOULD NOT BE USED WITHOUT WRITTEN PERMISSION										
	2017/04/12	2017/04/21	GENERAL TOLERANCES (UNLESS SPECIFIED)		DIMENSION UNITS	SCALE	 MX123 66/73/80CKT HRNS CONN ASSY				
	MM		1:1								
	EC NO: 115716 DRWN: TYE CHKD: REV APPR: JDENG02	DRWN BY		DATE		SKRAJENDRANA		2011/02/14			
		CHKD BY		DATE		MVANSLAMBROU		2011/02/14			
		APPR BY		DATE		PRODUCT CUSTOMER DRAWING SERIES: 34566 MATERIAL NUMBER: SEE BOM TABLE CUSTOMER: GENERAL MARKET DOCUMENT NUMBER: SD-34566-001 DOC TYPE: PSD DOC PART: 000 SHEET NUMBER: 36 OF 93					
		DRAFT WHERE APPLICABLE MUST REMAIN WITHIN DIMENSIONS		DRAWING SIZE						THIRD ANGLE PROJECTION	
		D									
	<b>RELEASE STATUS</b> <b>RELEASE DATE</b>										

STATUS	GM PART #	MATERIAL #	WIRE DRESS OPTION	KEY OPTION	COLOR (TPA)	NUMBERS INDICATE CAVITIES OPEN FOR CIRCUITS																																																														
AVAILABLE	NOT APPLICABLE	34566-3073	0	A	BLACK	71	69			65	64	63		60		57	56	55	54	53	52	51	49			45	44	43	42	41			37	36	35	34	33	73	32	30	28	26		23			19	18			16			12	10	8	7	6				3						
AVAILABLE	NOT APPLICABLE	34566-3083	0	A	BLACK	71	69			65	64	63		60		58	57	56	55	54	53	52	51	49			45	44	43	42	41			37	36	35	34	33	73	32	30	28	26									19	18			16			11	10						3		
AVAILABLE	NOT APPLICABLE	34566-3093	0	A	BLACK	71	69			64	63	62		60		57	56	55	54	53	52	51	49			45	44	43	42	41			37	36	35	34	33	73	32	30	28	26		23							19	18			16			12	10					3				
AVAILABLE	NOT APPLICABLE	34566-3113	0	A	BLACK	71	69			65	64	63		60		57	56	55	54	53	52	51	49			45	44	43	42	41			37	36	35	34	33	73	32	30	28	26		23		21	19	18			16			12	10	8		5	3									
AVAILABLE	NOT APPLICABLE	34566-3123	0	B	ST GRY	72	70	68	66					60	59			55	54	53	52	51	50	48	46				40	39			35	34	33	73	32	31	30	29	28	27	26	25	24								16															
AVAILABLE	NOT APPLICABLE	34566-3133	0	C	BLUE	72	70	68	67	66		63	62		59	57			53	52	51		48	47	46	44	42	40	39			34	33	73	32		30			26	25		22	21	20						15	14			10	9		6	5	4								
AVAILABLE	NOT APPLICABLE	34566-3143	0	C	BLUE	72	70			66		63	62		59	57			53	52	51			46	44	42	40	39	37	36	34	33	73	32	30				26	25		22	21							15	14			10	9		6											
AVAILABLE	NOT APPLICABLE	34566-3153	0	A	BLACK		70	69							58	56	54		52	51		49		47		44	43	42	41			36	34						32			28	26					19	18				16				12	10				3						

<b>QUALITY SYMBOLS</b> = 0 = 0 = 0 = 0 = 0 = 0 = 0 = 0	THIS DRAWING CONTAINS INFORMATION THAT IS PROPRIETARY TO MOLEX ELECTRONIC TECHNOLOGIES, LLC AND SHOULD NOT BE USED WITHOUT WRITTEN PERMISSION																		
	2017/04/12	2017/04/21	GENERAL TOLERANCES (UNLESS SPECIFIED)		DIMENSION UNITS	SCALE									<b>MX123</b> <b>66/73/80CKT HRNS CONN ASSY</b>  <b>PRODUCT CUSTOMER DRAWING</b>				
	EC NO: 115716 DRWN: TYE CHKD: JDENG02 REV APPR:	4 PLACES ±		MM	1:1														
		3 PLACES ±		DRWN BY	DATE														
		2 PLACES ±		SKRAJENDRANA	2011/02/14														
		1 PLACE ±		CHKD BY	DATE														
	0 PLACES ±		MVANSLAMBROU	2011/02/14	APPR BY		DATE												
	DRAFT WHERE APPLICABLE MUST REMAIN WITHIN DIMENSIONS		DRAWING SIZE	THIRD ANGLE PROJECTION	SERIES		MATERIAL NUMBER	CUSTOMER											
			D		34566	SEE BOM TABLE	GENERAL MARKET												
					DOCUMENT NUMBER		DOC TYPE	DOC PART	SHEET NUMBER										
				SD-34566-001		PSD	000	37 OF 93											

STATUS	GM PART #	MATERIAL #	WIRE DRESS OPTION	KEY OPTION 	COLOR (TPA) 	NUMBERS INDICATE CAVITIES OPEN FOR CIRCUITS 																																																																																				
AVAILABLE	NOT APPLICABLE	34566-3163	0	C	BLUE	<table border="1"> <tr><td>72</td><td>70</td><td></td><td></td><td></td><td></td><td></td><td></td><td>63</td><td>62</td><td></td><td></td><td>59</td><td>57</td><td>56</td><td>55</td><td></td><td>53</td></tr> <tr><td>52</td><td>51</td><td></td><td></td><td></td><td></td><td>46</td><td>44</td><td></td><td>42</td><td></td><td>40</td><td>39</td><td></td><td>37</td><td>36</td><td></td><td>34</td><td>33</td></tr> <tr><td colspan="2">73</td><td></td><td>32</td><td></td><td></td><td></td><td></td><td></td><td>26</td><td>25</td><td></td><td></td><td>22</td><td>21</td><td></td><td></td><td>19</td><td>18</td></tr> <tr><td colspan="2"></td><td></td><td>15</td><td>14</td><td></td><td></td><td></td><td></td><td>10</td><td>9</td><td></td><td></td><td>6</td><td></td><td></td><td></td><td>3</td><td></td></tr> </table>	72	70							63	62			59	57	56	55		53	52	51					46	44		42		40	39		37	36		34	33	73			32						26	25			22	21			19	18				15	14					10	9			6				3										
72	70							63	62			59	57	56	55		53																																																																									
52	51					46	44		42		40	39		37	36		34	33																																																																								
73			32						26	25			22	21			19	18																																																																								
			15	14					10	9			6				3																																																																									
AVAILABLE	NOT APPLICABLE	34566-3173	0	A	BLACK	<table border="1"> <tr><td></td><td></td><td>70</td><td>69</td><td></td><td></td><td></td><td></td><td></td><td></td><td></td><td></td><td></td><td></td><td>58</td><td></td><td>56</td><td></td><td>54</td></tr> <tr><td>52</td><td>51</td><td></td><td>49</td><td></td><td></td><td></td><td></td><td>44</td><td>43</td><td>42</td><td>41</td><td></td><td></td><td></td><td></td><td>36</td><td></td><td>34</td></tr> <tr><td colspan="2">73</td><td></td><td>32</td><td></td><td></td><td></td><td></td><td>28</td><td></td><td>26</td><td></td><td></td><td></td><td></td><td></td><td></td><td>19</td><td>18</td></tr> <tr><td colspan="2"></td><td></td><td>16</td><td></td><td></td><td></td><td></td><td>12</td><td></td><td>10</td><td></td><td></td><td></td><td></td><td></td><td></td><td>3</td><td>2</td></tr> </table>			70	69											58		56		54	52	51		49					44	43	42	41					36		34	73			32					28		26							19	18				16					12		10							3	2								
		70	69											58		56		54																																																																								
52	51		49					44	43	42	41					36		34																																																																								
73			32					28		26							19	18																																																																								
			16					12		10							3	2																																																																								
AVAILABLE	NOT APPLICABLE	34566-3183	0	C	BLUE	<table border="1"> <tr><td>72</td><td>70</td><td></td><td></td><td></td><td></td><td>66</td><td></td><td></td><td>63</td><td>62</td><td></td><td></td><td>59</td><td></td><td>57</td><td>56</td><td>55</td><td></td><td>53</td></tr> <tr><td>52</td><td>51</td><td></td><td></td><td></td><td></td><td>46</td><td>44</td><td></td><td>42</td><td></td><td>40</td><td>39</td><td></td><td></td><td></td><td></td><td></td><td></td><td>34</td><td>33</td></tr> <tr><td colspan="2">73</td><td></td><td></td><td></td><td></td><td>30</td><td></td><td></td><td>26</td><td>25</td><td></td><td></td><td></td><td>22</td><td>21</td><td></td><td></td><td></td><td></td><td></td></tr> <tr><td colspan="2"></td><td></td><td></td><td></td><td></td><td>15</td><td>14</td><td></td><td></td><td>10</td><td>9</td><td></td><td></td><td>6</td><td></td><td></td><td></td><td></td><td></td><td></td></tr> </table>	72	70					66			63	62			59		57	56	55		53	52	51					46	44		42		40	39							34	33	73						30			26	25				22	21												15	14			10	9			6							
72	70					66			63	62			59		57	56	55		53																																																																							
52	51					46	44		42		40	39							34	33																																																																						
73						30			26	25				22	21																																																																											
						15	14			10	9			6																																																																												
AVAILABLE	NOT APPLICABLE	34566-3193	0	A	BLACK	<table border="1"> <tr><td></td><td></td><td></td><td>69</td><td></td><td></td><td></td><td></td><td></td><td></td><td></td><td></td><td></td><td></td><td>58</td><td></td><td>56</td><td>55</td><td>54</td><td>53</td></tr> <tr><td>52</td><td>51</td><td></td><td>49</td><td></td><td></td><td></td><td></td><td>44</td><td>43</td><td>42</td><td>41</td><td></td><td></td><td></td><td></td><td>36</td><td>35</td><td>34</td><td>33</td></tr> <tr><td colspan="2">73</td><td></td><td>32</td><td></td><td></td><td></td><td></td><td>28</td><td></td><td>26</td><td></td><td></td><td></td><td></td><td></td><td></td><td></td><td>19</td><td>18</td></tr> <tr><td colspan="2"></td><td></td><td>16</td><td></td><td></td><td></td><td></td><td>12</td><td></td><td>10</td><td></td><td></td><td></td><td></td><td></td><td></td><td></td><td>3</td><td>2</td></tr> </table>				69											58		56	55	54	53	52	51		49					44	43	42	41					36	35	34	33	73			32					28		26								19	18				16					12		10								3	2				
			69											58		56	55	54	53																																																																							
52	51		49					44	43	42	41					36	35	34	33																																																																							
73			32					28		26								19	18																																																																							
			16					12		10								3	2																																																																							
AVAILABLE	NOT APPLICABLE	34566-3213	0	C	BLUE	<table border="1"> <tr><td>72</td><td>70</td><td></td><td></td><td></td><td></td><td>67</td><td>66</td><td></td><td></td><td>63</td><td>62</td><td></td><td></td><td>59</td><td></td><td></td><td></td><td></td><td>53</td></tr> <tr><td>52</td><td>51</td><td></td><td></td><td></td><td></td><td>46</td><td>44</td><td></td><td></td><td>42</td><td></td><td>40</td><td></td><td></td><td></td><td></td><td></td><td></td><td>34</td><td>33</td></tr> <tr><td colspan="2">73</td><td></td><td>32</td><td></td><td></td><td>30</td><td></td><td></td><td></td><td>26</td><td>25</td><td></td><td></td><td>22</td><td>21</td><td></td><td></td><td></td><td></td><td></td></tr> <tr><td colspan="2"></td><td></td><td></td><td></td><td></td><td>15</td><td>14</td><td></td><td></td><td></td><td>10</td><td>9</td><td></td><td></td><td>6</td><td>5</td><td>4</td><td></td><td></td><td></td></tr> </table>	72	70					67	66			63	62			59					53	52	51					46	44			42		40							34	33	73			32			30				26	25			22	21												15	14				10	9			6	5	4				
72	70					67	66			63	62			59					53																																																																							
52	51					46	44			42		40							34	33																																																																						
73			32			30				26	25			22	21																																																																											
						15	14				10	9			6	5	4																																																																									
AVAILABLE	NOT APPLICABLE	34566-3223	0	C	BLUE	<table border="1"> <tr><td>72</td><td>70</td><td></td><td></td><td></td><td></td><td>67</td><td>66</td><td></td><td></td><td>63</td><td>62</td><td></td><td></td><td>59</td><td></td><td>57</td><td></td><td></td><td>53</td></tr> <tr><td>52</td><td>51</td><td></td><td></td><td></td><td></td><td>46</td><td>44</td><td></td><td></td><td>42</td><td></td><td>40</td><td>39</td><td></td><td></td><td></td><td></td><td></td><td>34</td><td>33</td></tr> <tr><td colspan="2">73</td><td></td><td>32</td><td></td><td></td><td>30</td><td></td><td></td><td>27</td><td>26</td><td>25</td><td></td><td></td><td>22</td><td>21</td><td></td><td></td><td></td><td></td><td></td></tr> <tr><td colspan="2"></td><td></td><td></td><td></td><td></td><td>15</td><td>14</td><td></td><td></td><td>10</td><td>9</td><td></td><td></td><td>6</td><td>5</td><td>4</td><td></td><td></td><td></td><td></td></tr> </table>	72	70					67	66			63	62			59		57			53	52	51					46	44			42		40	39						34	33	73			32			30			27	26	25			22	21												15	14			10	9			6	5	4					
72	70					67	66			63	62			59		57			53																																																																							
52	51					46	44			42		40	39						34	33																																																																						
73			32			30			27	26	25			22	21																																																																											
						15	14			10	9			6	5	4																																																																										
AVAILABLE	NOT APPLICABLE	34566-3233	0	A	BLACK	<table border="1"> <tr><td></td><td></td><td>70</td><td>69</td><td></td><td></td><td></td><td></td><td></td><td></td><td>63</td><td>62</td><td>61</td><td></td><td></td><td>58</td><td>57</td><td>56</td><td>55</td><td>54</td><td>53</td></tr> <tr><td>52</td><td>51</td><td></td><td>49</td><td></td><td></td><td></td><td></td><td></td><td></td><td>44</td><td>43</td><td>42</td><td>41</td><td></td><td></td><td>37</td><td>36</td><td></td><td></td><td>34</td></tr> <tr><td colspan="2">73</td><td></td><td>32</td><td></td><td></td><td></td><td></td><td>29</td><td>28</td><td>27</td><td>26</td><td></td><td></td><td></td><td></td><td></td><td></td><td></td><td>19</td><td>18</td></tr> <tr><td colspan="2"></td><td></td><td>16</td><td>15</td><td></td><td></td><td></td><td>13</td><td>12</td><td>11</td><td>10</td><td></td><td></td><td></td><td></td><td></td><td></td><td></td><td>3</td><td></td></tr> </table>			70	69							63	62	61			58	57	56	55	54	53	52	51		49							44	43	42	41			37	36			34	73			32					29	28	27	26								19	18				16	15				13	12	11	10								3	
		70	69							63	62	61			58	57	56	55	54	53																																																																						
52	51		49							44	43	42	41			37	36			34																																																																						
73			32					29	28	27	26								19	18																																																																						
			16	15				13	12	11	10								3																																																																							
AVAILABLE	NOT APPLICABLE	34566-3243	0	C	BLUE	<table border="1"> <tr><td>72</td><td>70</td><td></td><td></td><td></td><td></td><td>66</td><td></td><td></td><td>63</td><td>62</td><td></td><td></td><td>59</td><td></td><td>57</td><td></td><td></td><td></td><td>53</td></tr> <tr><td>52</td><td>51</td><td></td><td></td><td></td><td></td><td>46</td><td>44</td><td></td><td>42</td><td></td><td>40</td><td>39</td><td></td><td></td><td></td><td></td><td></td><td></td><td>34</td><td>33</td></tr> <tr><td colspan="2">73</td><td></td><td>32</td><td></td><td></td><td>30</td><td></td><td></td><td></td><td>26</td><td>25</td><td></td><td></td><td>22</td><td>21</td><td></td><td></td><td></td><td></td><td></td></tr> <tr><td colspan="2"></td><td></td><td></td><td></td><td></td><td>15</td><td>14</td><td></td><td></td><td>10</td><td>9</td><td></td><td></td><td>6</td><td>5</td><td>4</td><td></td><td></td><td></td><td></td></tr> </table>	72	70					66			63	62			59		57				53	52	51					46	44		42		40	39							34	33	73			32			30				26	25			22	21												15	14			10	9			6	5	4					
72	70					66			63	62			59		57				53																																																																							
52	51					46	44		42		40	39							34	33																																																																						
73			32			30				26	25			22	21																																																																											
						15	14			10	9			6	5	4																																																																										

<b>QUALITY SYMBOLS</b> = 0 = 0 = 0 = 0 = 0 = 0 = 0 = 0 = 0	THIS DRAWING CONTAINS INFORMATION THAT IS PROPRIETARY TO MOLEX ELECTRONIC TECHNOLOGIES, LLC AND SHOULD NOT BE USED WITHOUT WRITTEN PERMISSION			
	2017/04/12	2017/04/21	GENERAL TOLERANCES (UNLESS SPECIFIED)	DIMENSION UNITS <b>MM</b>
	EC NO: 115716 DRWN: TYE CHKD: REV APPR: JDENG02	<b>G50</b>	4 PLACES ±	SCALE <b>1:1</b>
			3 PLACES ±	DRWN BY <b>SKRAJENDRANA</b>
2 PLACES ±			DATE <b>2011/02/14</b>	
1 PLACE ±			CHKD BY <b>MVANSLAMBROU</b>	
0 PLACES ±	DATE <b>2011/02/14</b>	<b>PRODUCT CUSTOMER DRAWING</b>		
DRAFT WHERE APPLICABLE MUST REMAIN WITHIN DIMENSIONS		DRAWING SIZE <b>D</b>	THIRD ANGLE PROJECTION 	SERIES <b>34566</b>
				MATERIAL NUMBER <b>SEE BOM TABLE</b>
				CUSTOMER <b>GENERAL MARKET</b>
				DOCUMENT NUMBER <b>SD-34566-001</b>
				DOC TYPE <b>PSD</b>
				DOC PART <b>000</b>
				SHEET NUMBER <b>38 OF 93</b>



STATUS	GM PART #	MATERIAL #	WIRE DRESS OPTION	KEY OPTION	COLOR (TPA)	NUMBERS INDICATE CAVITIES OPEN FOR CIRCUITS																																																																																
AVAILABLE	NOT APPLICABLE	34566-3253	0	A	BLACK	<table border="1"> <tr><td></td><td></td><td>70</td><td>69</td><td></td><td></td><td></td><td></td><td></td><td>63</td><td></td><td></td><td></td><td></td><td>58</td><td></td><td>56</td><td>55</td><td>54</td><td>53</td></tr> <tr><td>52</td><td>51</td><td></td><td>49</td><td></td><td></td><td></td><td></td><td></td><td>44</td><td>43</td><td>42</td><td>41</td><td></td><td></td><td></td><td></td><td>36</td><td></td><td>34</td></tr> <tr><td colspan="3">73</td><td></td><td>32</td><td></td><td></td><td></td><td>28</td><td></td><td>26</td><td></td><td></td><td></td><td></td><td></td><td></td><td>19</td><td>18</td><td></td></tr> <tr><td colspan="3"></td><td>16</td><td>15</td><td></td><td></td><td></td><td>12</td><td></td><td>10</td><td></td><td></td><td></td><td></td><td></td><td></td><td>3</td><td></td><td></td></tr> </table>			70	69						63					58		56	55	54	53	52	51		49						44	43	42	41					36		34	73				32				28		26							19	18					16	15				12		10							3		
		70	69						63					58		56	55	54	53																																																																			
52	51		49						44	43	42	41					36		34																																																																			
73				32				28		26							19	18																																																																				
			16	15				12		10							3																																																																					
AVAILABLE	NOT APPLICABLE	34566-3263	0	C	BLUE	<table border="1"> <tr><td>72</td><td></td><td>70</td><td></td><td></td><td></td><td>66</td><td></td><td></td><td>63</td><td>62</td><td></td><td></td><td>59</td><td></td><td>57</td><td>56</td><td>55</td><td></td><td>53</td></tr> <tr><td>52</td><td>51</td><td></td><td></td><td></td><td></td><td>46</td><td></td><td>44</td><td></td><td>42</td><td></td><td>40</td><td>39</td><td></td><td></td><td></td><td></td><td>34</td><td>33</td></tr> <tr><td colspan="3">73</td><td></td><td>32</td><td></td><td>30</td><td></td><td></td><td></td><td>26</td><td>25</td><td></td><td></td><td>22</td><td>21</td><td></td><td></td><td>19</td><td>18</td></tr> <tr><td colspan="3"></td><td></td><td>15</td><td>14</td><td></td><td></td><td></td><td></td><td>10</td><td>9</td><td></td><td></td><td>6</td><td>5</td><td>4</td><td>3</td><td></td><td></td></tr> </table>	72		70				66			63	62			59		57	56	55		53	52	51					46		44		42		40	39					34	33	73				32		30				26	25			22	21			19	18					15	14					10	9			6	5	4	3		
72		70				66			63	62			59		57	56	55		53																																																																			
52	51					46		44		42		40	39					34	33																																																																			
73				32		30				26	25			22	21			19	18																																																																			
				15	14					10	9			6	5	4	3																																																																					
AVAILABLE	NOT APPLICABLE	34566-3273	0	A	BLACK	<table border="1"> <tr><td></td><td></td><td>70</td><td>69</td><td></td><td></td><td></td><td></td><td></td><td>63</td><td></td><td></td><td></td><td></td><td>58</td><td></td><td>56</td><td>55</td><td>54</td><td>53</td></tr> <tr><td>52</td><td>51</td><td></td><td>49</td><td></td><td></td><td></td><td></td><td></td><td>44</td><td>43</td><td>42</td><td>41</td><td></td><td></td><td></td><td>36</td><td></td><td>34</td><td></td></tr> <tr><td colspan="3">73</td><td></td><td>32</td><td></td><td></td><td></td><td>28</td><td></td><td>26</td><td></td><td></td><td></td><td></td><td></td><td></td><td>19</td><td>18</td><td>17</td></tr> <tr><td colspan="3"></td><td>16</td><td>15</td><td></td><td></td><td></td><td>12</td><td></td><td>10</td><td></td><td></td><td></td><td></td><td></td><td></td><td>3</td><td>2</td><td>1</td></tr> </table>			70	69						63					58		56	55	54	53	52	51		49						44	43	42	41				36		34		73				32				28		26							19	18	17				16	15				12		10							3	2	1
		70	69						63					58		56	55	54	53																																																																			
52	51		49						44	43	42	41				36		34																																																																				
73				32				28		26							19	18	17																																																																			
			16	15				12		10							3	2	1																																																																			
AVAILABLE	NOT APPLICABLE	34566-3283	0	C	BLUE	<table border="1"> <tr><td>72</td><td></td><td>70</td><td></td><td></td><td></td><td>67</td><td>66</td><td></td><td></td><td>63</td><td>62</td><td></td><td></td><td>59</td><td></td><td>57</td><td></td><td></td><td>53</td></tr> <tr><td>52</td><td>51</td><td></td><td></td><td></td><td></td><td>46</td><td></td><td>44</td><td></td><td>42</td><td></td><td>40</td><td>39</td><td></td><td></td><td></td><td></td><td>34</td><td>33</td></tr> <tr><td colspan="3">73</td><td></td><td></td><td>30</td><td></td><td></td><td></td><td></td><td>26</td><td>25</td><td></td><td></td><td>22</td><td>21</td><td></td><td></td><td></td><td></td></tr> <tr><td colspan="3"></td><td></td><td></td><td>15</td><td>14</td><td></td><td></td><td></td><td>10</td><td>9</td><td></td><td></td><td>6</td><td>5</td><td>4</td><td></td><td></td><td></td></tr> </table>	72		70				67	66			63	62			59		57			53	52	51					46		44		42		40	39					34	33	73					30					26	25			22	21										15	14				10	9			6	5	4			
72		70				67	66			63	62			59		57			53																																																																			
52	51					46		44		42		40	39					34	33																																																																			
73					30					26	25			22	21																																																																							
					15	14				10	9			6	5	4																																																																						
AVAILABLE	NOT APPLICABLE	34566-3293	0	B	ST GRY	<table border="1"> <tr><td>72</td><td>71</td><td>70</td><td></td><td>68</td><td>67</td><td>66</td><td></td><td></td><td></td><td>62</td><td>61</td><td>60</td><td>59</td><td>58</td><td>57</td><td>56</td><td>55</td><td>54</td><td>53</td></tr> <tr><td>52</td><td>51</td><td>50</td><td></td><td>48</td><td>47</td><td></td><td></td><td></td><td></td><td>42</td><td>41</td><td>40</td><td>39</td><td>38</td><td>37</td><td>36</td><td>35</td><td>34</td><td>33</td></tr> <tr><td colspan="3">73</td><td></td><td>32</td><td>31</td><td>30</td><td>29</td><td>28</td><td>27</td><td>26</td><td>25</td><td>24</td><td>23</td><td></td><td></td><td></td><td></td><td></td><td></td></tr> <tr><td colspan="3"></td><td></td><td>16</td><td>15</td><td>14</td><td>13</td><td></td><td></td><td>10</td><td>9</td><td>8</td><td></td><td></td><td></td><td></td><td></td><td></td><td></td></tr> </table>	72	71	70		68	67	66				62	61	60	59	58	57	56	55	54	53	52	51	50		48	47					42	41	40	39	38	37	36	35	34	33	73				32	31	30	29	28	27	26	25	24	23											16	15	14	13			10	9	8							
72	71	70		68	67	66				62	61	60	59	58	57	56	55	54	53																																																																			
52	51	50		48	47					42	41	40	39	38	37	36	35	34	33																																																																			
73				32	31	30	29	28	27	26	25	24	23																																																																									
				16	15	14	13			10	9	8																																																																										
AVAILABLE	NOT APPLICABLE	34566-3313	0	C	BLUE	<table border="1"> <tr><td>72</td><td></td><td>70</td><td></td><td></td><td></td><td></td><td></td><td></td><td>63</td><td>62</td><td></td><td></td><td>59</td><td></td><td>57</td><td></td><td></td><td></td><td>53</td></tr> <tr><td>52</td><td>51</td><td></td><td></td><td></td><td></td><td>46</td><td></td><td>44</td><td></td><td>42</td><td></td><td>40</td><td>39</td><td></td><td></td><td></td><td></td><td>34</td><td>33</td></tr> <tr><td colspan="3">73</td><td></td><td>32</td><td></td><td>30</td><td></td><td></td><td></td><td>26</td><td>25</td><td></td><td></td><td>22</td><td>21</td><td></td><td></td><td></td><td></td></tr> <tr><td colspan="3"></td><td></td><td></td><td>15</td><td>14</td><td></td><td></td><td></td><td></td><td></td><td></td><td>6</td><td>5</td><td>4</td><td></td><td></td><td></td><td></td></tr> </table>	72		70							63	62			59		57				53	52	51					46		44		42		40	39					34	33	73				32		30				26	25			22	21										15	14							6	5	4				
72		70							63	62			59		57				53																																																																			
52	51					46		44		42		40	39					34	33																																																																			
73				32		30				26	25			22	21																																																																							
					15	14							6	5	4																																																																							
AVAILABLE	NOT APPLICABLE	34566-3323	0	B	ST GRY	<table border="1"> <tr><td></td><td></td><td></td><td></td><td>68</td><td>67</td><td>66</td><td>65</td><td>64</td><td>63</td><td></td><td></td><td></td><td></td><td>58</td><td></td><td></td><td>55</td><td></td><td></td></tr> <tr><td></td><td></td><td></td><td>49</td><td>48</td><td></td><td>46</td><td>45</td><td>44</td><td>43</td><td></td><td></td><td></td><td></td><td>38</td><td></td><td></td><td></td><td></td><td></td></tr> <tr><td colspan="3">73</td><td></td><td>32</td><td></td><td>30</td><td>29</td><td>28</td><td>27</td><td></td><td></td><td></td><td></td><td>22</td><td></td><td></td><td></td><td></td><td>17</td></tr> <tr><td colspan="3"></td><td></td><td>16</td><td></td><td></td><td></td><td></td><td></td><td>10</td><td></td><td></td><td></td><td></td><td></td><td></td><td></td><td></td><td></td></tr> </table>					68	67	66	65	64	63					58			55						49	48		46	45	44	43					38						73				32		30	29	28	27					22					17					16						10									
				68	67	66	65	64	63					58			55																																																																					
			49	48		46	45	44	43					38																																																																								
73				32		30	29	28	27					22					17																																																																			
				16						10																																																																												
AVAILABLE	NOT APPLICABLE	34566-3333	0	A	BLACK	<table border="1"> <tr><td>72</td><td>71</td><td>70</td><td>69</td><td>68</td><td></td><td></td><td></td><td>65</td><td>64</td><td>63</td><td></td><td>61</td><td></td><td>59</td><td>58</td><td>57</td><td>56</td><td></td><td>54</td></tr> <tr><td>52</td><td>51</td><td>50</td><td>49</td><td></td><td>47</td><td></td><td></td><td></td><td></td><td></td><td>42</td><td>41</td><td></td><td></td><td>38</td><td>37</td><td>36</td><td></td><td>34</td></tr> <tr><td colspan="3">73</td><td></td><td>32</td><td>31</td><td>30</td><td>29</td><td>28</td><td>27</td><td>26</td><td></td><td>24</td><td>23</td><td></td><td></td><td></td><td>20</td><td>19</td><td>18</td></tr> <tr><td colspan="3"></td><td></td><td>16</td><td></td><td></td><td>13</td><td>12</td><td>11</td><td>10</td><td>9</td><td></td><td></td><td></td><td></td><td></td><td>3</td><td>2</td><td>1</td></tr> </table>	72	71	70	69	68				65	64	63		61		59	58	57	56		54	52	51	50	49		47						42	41			38	37	36		34	73				32	31	30	29	28	27	26		24	23				20	19	18					16			13	12	11	10	9						3	2	1
72	71	70	69	68				65	64	63		61		59	58	57	56		54																																																																			
52	51	50	49		47						42	41			38	37	36		34																																																																			
73				32	31	30	29	28	27	26		24	23				20	19	18																																																																			
				16			13	12	11	10	9						3	2	1																																																																			

<b>QUALITY SYMBOLS</b> 	THIS DRAWING CONTAINS INFORMATION THAT IS PROPRIETARY TO MOLEX ELECTRONIC TECHNOLOGIES, LLC AND SHOULD NOT BE USED WITHOUT WRITTEN PERMISSION										
	2017/04/12 DRWN: TYE CHKD: REV APPR: JDENG02	GENERAL TOLERANCES (UNLESS SPECIFIED)			DIMENSION UNITS	SCALE					
		ANGULAR TOL ± °			MM	1:1					
		4 PLACES ±			DRWN BY	DATE					
		3 PLACES ±			SKRAJENDRANA	2011/02/14					
	2 PLACES ±			CHKD BY	DATE						
	1 PLACE ±			MVANSLAMBROU	2011/02/14						
	0 PLACES ±			APPR BY	DATE						
DRAFT WHERE APPLICABLE MUST REMAIN WITHIN DIMENSIONS				DRAWING SIZE	THIRD ANGLE PROJECTION	<b>PRODUCT CUSTOMER DRAWING</b> MX123 66/73/80CKT HRNS CONN ASSY					
G50		D		D		SERIES	MATERIAL NUMBER	CUSTOMER			
				34566		SEE BOM TABLE		GENERAL MARKET			
				DOCUMENT NUMBER		DOC TYPE	DOC PART	SHEET NUMBER			
				SD-34566-001		PSD	000	39 OF 93			

STATUS	GM PART #	MATERIAL #	PART/MATERIAL REVISION	WIRE DRESS OPTION	KEY OPTION Fp	COLOR (TPA) Fp	NUMBERS INDICATE CAVITIES OPEN FOR CIRCUITS Fp																																																																																			
AVAILABLE	NOT APPLICABLE	34566-3343	G	0	A	BLACK	<table border="1"> <tr><td>72</td><td></td><td></td><td>69</td><td>67</td><td>66</td><td>65</td><td>63</td><td></td><td></td><td>60</td><td></td><td></td><td>57</td><td>56</td><td></td><td></td><td>53</td></tr> <tr><td></td><td></td><td></td><td>49</td><td>47</td><td></td><td></td><td>44</td><td>43</td><td>42</td><td>40</td><td></td><td></td><td>37</td><td>36</td><td>35</td><td></td><td>33</td></tr> <tr><td colspan="3">73</td><td></td><td>31</td><td>30</td><td>29</td><td>28</td><td></td><td>26</td><td>24</td><td></td><td></td><td>21</td><td>20</td><td></td><td></td><td>17</td></tr> <tr><td></td><td></td><td></td><td>16</td><td>15</td><td>14</td><td>13</td><td></td><td>11</td><td>10</td><td></td><td></td><td></td><td>5</td><td>4</td><td>3</td><td>2</td><td>1</td></tr> </table>	72			69	67	66	65	63			60			57	56			53				49	47			44	43	42	40			37	36	35		33	73				31	30	29	28		26	24			21	20			17				16	15	14	13		11	10				5	4	3	2	1											
72			69	67	66	65	63			60			57	56			53																																																																									
			49	47			44	43	42	40			37	36	35		33																																																																									
73				31	30	29	28		26	24			21	20			17																																																																									
			16	15	14	13		11	10				5	4	3	2	1																																																																									
AVAILABLE	NOT APPLICABLE	34566-3353	G	0	B	ST GRY	<table border="1"> <tr><td></td><td></td><td></td><td></td><td>68</td><td>67</td><td></td><td></td><td>64</td><td></td><td></td><td></td><td></td><td>59</td><td>58</td><td></td><td></td><td>54</td></tr> <tr><td></td><td></td><td></td><td></td><td></td><td></td><td>46</td><td>45</td><td></td><td></td><td></td><td></td><td></td><td>39</td><td>38</td><td></td><td></td><td></td></tr> <tr><td colspan="3">73</td><td></td><td>32</td><td>30</td><td>29</td><td>28</td><td>27</td><td></td><td></td><td></td><td></td><td>23</td><td>22</td><td></td><td></td><td>17</td></tr> <tr><td></td><td></td><td></td><td></td><td></td><td></td><td></td><td>12</td><td>10</td><td></td><td>8</td><td></td><td></td><td></td><td></td><td></td><td></td><td>1</td></tr> </table>					68	67			64					59	58			54							46	45						39	38				73				32	30	29	28	27					23	22			17								12	10		8							1											
				68	67			64					59	58			54																																																																									
						46	45						39	38																																																																												
73				32	30	29	28	27					23	22			17																																																																									
							12	10		8							1																																																																									
AVAILABLE	NOT APPLICABLE	34566-3363	G	0	A	BLACK	<table border="1"> <tr><td></td><td>71</td><td></td><td>69</td><td>68</td><td></td><td></td><td>65</td><td>64</td><td>63</td><td></td><td>61</td><td></td><td>59</td><td></td><td>57</td><td>56</td><td></td><td>54</td></tr> <tr><td>52</td><td></td><td>50</td><td>49</td><td></td><td>47</td><td></td><td></td><td></td><td></td><td>42</td><td>41</td><td>40</td><td>39</td><td>38</td><td>37</td><td>36</td><td></td><td>34</td><td>33</td></tr> <tr><td colspan="3">73</td><td></td><td>32</td><td>31</td><td>30</td><td>29</td><td>28</td><td>27</td><td>26</td><td></td><td>24</td><td>23</td><td>22</td><td></td><td>20</td><td>19</td><td>18</td><td></td></tr> <tr><td></td><td></td><td></td><td>16</td><td></td><td></td><td></td><td>13</td><td>12</td><td>11</td><td>10</td><td>9</td><td></td><td></td><td></td><td></td><td></td><td></td><td></td><td>1</td></tr> </table>		71		69	68			65	64	63		61		59		57	56		54	52		50	49		47					42	41	40	39	38	37	36		34	33	73				32	31	30	29	28	27	26		24	23	22		20	19	18					16				13	12	11	10	9								1				
	71		69	68			65	64	63		61		59		57	56		54																																																																								
52		50	49		47					42	41	40	39	38	37	36		34	33																																																																							
73				32	31	30	29	28	27	26		24	23	22		20	19	18																																																																								
			16				13	12	11	10	9								1																																																																							
AVAILABLE	NOT APPLICABLE	34566-3373	G	9	C	BLUE	<table border="1"> <tr><td>72</td><td></td><td>70</td><td></td><td>68</td><td>67</td><td>66</td><td></td><td></td><td>63</td><td>62</td><td></td><td></td><td>59</td><td></td><td>57</td><td>56</td><td>55</td><td></td><td>53</td></tr> <tr><td>52</td><td>51</td><td></td><td></td><td>48</td><td>47</td><td>46</td><td></td><td>44</td><td></td><td>42</td><td></td><td>40</td><td>39</td><td>38</td><td></td><td></td><td></td><td></td><td>34</td><td>33</td></tr> <tr><td colspan="3">73</td><td></td><td>32</td><td></td><td>30</td><td></td><td></td><td></td><td>26</td><td>25</td><td></td><td></td><td>22</td><td>21</td><td></td><td></td><td>19</td><td>18</td><td></td></tr> <tr><td></td><td></td><td></td><td></td><td>15</td><td>14</td><td></td><td></td><td></td><td></td><td>10</td><td>9</td><td></td><td></td><td>6</td><td>5</td><td>4</td><td>3</td><td></td><td></td><td></td></tr> </table>	72		70		68	67	66			63	62			59		57	56	55		53	52	51			48	47	46		44		42		40	39	38					34	33	73				32		30				26	25			22	21			19	18						15	14					10	9			6	5	4	3			
72		70		68	67	66			63	62			59		57	56	55		53																																																																							
52	51			48	47	46		44		42		40	39	38					34	33																																																																						
73				32		30				26	25			22	21			19	18																																																																							
				15	14					10	9			6	5	4	3																																																																									
AVAILABLE	NOT APPLICABLE	34566-3383	G	0	A	BLACK	<table border="1"> <tr><td></td><td></td><td>70</td><td>69</td><td>68</td><td></td><td></td><td>65</td><td>64</td><td>63</td><td></td><td>61</td><td></td><td>59</td><td>58</td><td>57</td><td>56</td><td></td><td>54</td><td></td></tr> <tr><td>52</td><td></td><td>50</td><td>49</td><td>48</td><td>47</td><td></td><td></td><td></td><td></td><td>42</td><td>41</td><td></td><td></td><td>38</td><td>37</td><td>36</td><td></td><td>34</td><td>33</td></tr> <tr><td colspan="3">73</td><td></td><td>32</td><td>31</td><td>30</td><td>29</td><td>28</td><td>27</td><td>26</td><td></td><td>24</td><td>23</td><td></td><td></td><td>20</td><td>19</td><td>18</td><td></td></tr> <tr><td></td><td></td><td></td><td></td><td>16</td><td></td><td></td><td>13</td><td>12</td><td>11</td><td>10</td><td>9</td><td></td><td></td><td></td><td></td><td></td><td></td><td></td><td>1</td></tr> </table>			70	69	68			65	64	63		61		59	58	57	56		54		52		50	49	48	47					42	41			38	37	36		34	33	73				32	31	30	29	28	27	26		24	23			20	19	18						16			13	12	11	10	9								1			
		70	69	68			65	64	63		61		59	58	57	56		54																																																																								
52		50	49	48	47					42	41			38	37	36		34	33																																																																							
73				32	31	30	29	28	27	26		24	23			20	19	18																																																																								
				16			13	12	11	10	9								1																																																																							
AVAILABLE	NOT APPLICABLE	34566-3393	G	0	C	BLUE	<table border="1"> <tr><td>72</td><td></td><td>70</td><td></td><td>68</td><td>67</td><td>66</td><td></td><td></td><td>63</td><td>62</td><td></td><td></td><td>59</td><td></td><td>57</td><td></td><td></td><td></td><td>53</td></tr> <tr><td>52</td><td>51</td><td></td><td></td><td>48</td><td>47</td><td>46</td><td></td><td>44</td><td></td><td>42</td><td></td><td>40</td><td>39</td><td></td><td></td><td></td><td></td><td></td><td>34</td><td>33</td></tr> <tr><td colspan="3">73</td><td></td><td>32</td><td></td><td>30</td><td></td><td></td><td></td><td>26</td><td>25</td><td></td><td></td><td>22</td><td>21</td><td></td><td></td><td></td><td></td><td></td></tr> <tr><td></td><td></td><td></td><td></td><td>15</td><td>14</td><td></td><td></td><td></td><td></td><td>10</td><td>9</td><td></td><td></td><td>6</td><td>5</td><td>4</td><td></td><td></td><td></td><td></td></tr> </table>	72		70		68	67	66			63	62			59		57				53	52	51			48	47	46		44		42		40	39						34	33	73				32		30				26	25			22	21										15	14					10	9			6	5	4				
72		70		68	67	66			63	62			59		57				53																																																																							
52	51			48	47	46		44		42		40	39						34	33																																																																						
73				32		30				26	25			22	21																																																																											
				15	14					10	9			6	5	4																																																																										
AVAILABLE	NOT APPLICABLE	34566-3413	G	0	A	BLACK	<table border="1"> <tr><td>72</td><td></td><td>70</td><td></td><td></td><td>67</td><td>66</td><td>65</td><td></td><td></td><td></td><td>61</td><td></td><td></td><td>58</td><td>57</td><td></td><td>55</td><td>54</td><td></td></tr> <tr><td></td><td></td><td>50</td><td>49</td><td></td><td>47</td><td></td><td>45</td><td>44</td><td>43</td><td>42</td><td>41</td><td></td><td>39</td><td></td><td>37</td><td></td><td>35</td><td></td><td>34</td><td>33</td></tr> <tr><td colspan="3">73</td><td></td><td>32</td><td></td><td>30</td><td></td><td></td><td>27</td><td>26</td><td>25</td><td>24</td><td></td><td></td><td>21</td><td>20</td><td>19</td><td>18</td><td>17</td><td></td></tr> <tr><td></td><td></td><td></td><td></td><td>16</td><td>15</td><td></td><td>13</td><td></td><td>11</td><td>10</td><td>9</td><td>8</td><td></td><td>6</td><td>5</td><td></td><td>3</td><td>2</td><td>1</td><td></td></tr> </table>	72		70			67	66	65				61			58	57		55	54				50	49		47		45	44	43	42	41		39		37		35		34	33	73				32		30			27	26	25	24			21	20	19	18	17						16	15		13		11	10	9	8		6	5		3	2	1	
72		70			67	66	65				61			58	57		55	54																																																																								
		50	49		47		45	44	43	42	41		39		37		35		34	33																																																																						
73				32		30			27	26	25	24			21	20	19	18	17																																																																							
				16	15		13		11	10	9	8		6	5		3	2	1																																																																							
AVAILABLE	NOT APPLICABLE	34566-3423	G	9	C	BLUE	<table border="1"> <tr><td></td><td></td><td></td><td>69</td><td></td><td></td><td></td><td></td><td></td><td>63</td><td></td><td></td><td></td><td>58</td><td></td><td>56</td><td>55</td><td>54</td><td>53</td><td></td></tr> <tr><td>52</td><td>51</td><td></td><td>49</td><td></td><td></td><td></td><td></td><td>44</td><td>43</td><td>42</td><td>41</td><td></td><td></td><td></td><td>36</td><td>35</td><td>34</td><td>33</td><td></td></tr> <tr><td colspan="3">73</td><td></td><td>32</td><td></td><td></td><td></td><td>28</td><td>26</td><td></td><td></td><td></td><td></td><td></td><td></td><td>19</td><td>18</td><td>17</td><td></td></tr> <tr><td></td><td></td><td></td><td></td><td>16</td><td></td><td></td><td></td><td>12</td><td>10</td><td></td><td></td><td></td><td></td><td></td><td></td><td>3</td><td>2</td><td>1</td><td></td></tr> </table>				69						63				58		56	55	54	53		52	51		49					44	43	42	41				36	35	34	33		73				32				28	26							19	18	17						16				12	10							3	2	1				
			69						63				58		56	55	54	53																																																																								
52	51		49					44	43	42	41				36	35	34	33																																																																								
73				32				28	26							19	18	17																																																																								
				16				12	10							3	2	1																																																																								

<b>QUALITY SYMBOLS</b> = 0 = 0 = 0 = 0 = 0 = 0 = 0	THIS DRAWING CONTAINS INFORMATION THAT IS PROPRIETARY TO MOLEX ELECTRONIC TECHNOLOGIES, LLC AND SHOULD NOT BE USED WITHOUT WRITTEN PERMISSION		<b>GENERAL TOLERANCES (UNLESS SPECIFIED)</b> DIMENSION UNITS: <b>MM</b> SCALE: <b>1:1</b>		
	DRWN BY: 2017/04/12 CHKD BY: 2017/04/21 EC NO: 115716 DRWN: TYE CHKD: JDENG02 REV: APPR: JDENG02	ANGULAR TOL ± ° 4 PLACES ± 3 PLACES ± 2 PLACES ± 1 PLACE ± 0 PLACES ±	DRWN BY: SKRAJENDRANA DATE: 2011/02/14 CHKD BY: MVANSLAMBROU DATE: 2011/02/14 APPR BY:	DRAFT WHERE APPLICABLE MUST REMAIN WITHIN DIMENSIONS	
RELEASE STATUS:		RELEASE DATE:		DOCUMENT NUMBER: SD-34566-001 DOC TYPE: PSD DOC PART: 000 SHEET NUMBER: 40 OF 93	

STATUS	GM PART #	MATERIAL #	PART/MATERIAL REVISION	WIRE DRESS OPTION	KEY OPTION	COLOR (TPA)	NUMBERS INDICATE CAVITIES OPEN FOR CIRCUITS																																																																																				
AVAILABLE	NOT APPLICABLE	34566-3433	G	9	C	BLUE	<table border="1"> <tr><td>72</td><td>70</td><td></td><td></td><td>66</td><td></td><td>63</td><td>62</td><td></td><td>59</td><td></td><td>57</td><td>56</td><td>55</td><td></td><td>53</td></tr> <tr><td>52</td><td>51</td><td></td><td></td><td>46</td><td></td><td>44</td><td>42</td><td></td><td>40</td><td>39</td><td></td><td></td><td></td><td>34</td><td>33</td></tr> <tr><td colspan="2">73</td><td></td><td></td><td>30</td><td></td><td></td><td>26</td><td>25</td><td></td><td></td><td>22</td><td>21</td><td></td><td></td><td></td></tr> <tr><td></td><td></td><td></td><td></td><td>15</td><td>14</td><td></td><td></td><td>10</td><td>9</td><td></td><td>6</td><td></td><td></td><td></td><td></td></tr> </table>	72	70			66		63	62		59		57	56	55		53	52	51			46		44	42		40	39				34	33	73				30			26	25			22	21								15	14			10	9		6																								
72	70			66		63	62		59		57	56	55		53																																																																												
52	51			46		44	42		40	39				34	33																																																																												
73				30			26	25			22	21																																																																															
				15	14			10	9		6																																																																																
AVAILABLE	NOT APPLICABLE	34566-3443	G	0	A	BLACK	<table border="1"> <tr><td></td><td>71</td><td></td><td>69</td><td></td><td></td><td>65</td><td>64</td><td>63</td><td></td><td>60</td><td></td><td>57</td><td>56</td><td>55</td><td>54</td><td>53</td></tr> <tr><td>52</td><td>51</td><td></td><td>49</td><td></td><td></td><td>45</td><td>44</td><td>43</td><td>42</td><td>41</td><td></td><td>37</td><td>36</td><td>35</td><td>34</td><td>33</td></tr> <tr><td colspan="2">73</td><td></td><td>32</td><td></td><td>30</td><td></td><td>28</td><td></td><td>26</td><td></td><td>23</td><td></td><td></td><td>19</td><td>18</td><td></td></tr> <tr><td></td><td></td><td></td><td>16</td><td></td><td></td><td></td><td>12</td><td></td><td>10</td><td></td><td></td><td></td><td></td><td>3</td><td></td><td></td></tr> </table>		71		69			65	64	63		60		57	56	55	54	53	52	51		49			45	44	43	42	41		37	36	35	34	33	73			32		30		28		26		23			19	18					16				12		10					3																		
	71		69			65	64	63		60		57	56	55	54	53																																																																											
52	51		49			45	44	43	42	41		37	36	35	34	33																																																																											
73			32		30		28		26		23			19	18																																																																												
			16				12		10					3																																																																													
AVAILABLE	NOT APPLICABLE	34566-3453	G	0	A	BLACK	<table border="1"> <tr><td></td><td></td><td></td><td></td><td></td><td></td><td></td><td></td><td></td><td>61</td><td></td><td></td><td></td><td></td><td></td><td></td><td></td></tr> <tr><td colspan="2">73</td><td></td><td></td><td></td><td></td><td></td><td></td><td></td><td></td><td></td><td></td><td></td><td>20</td><td></td><td></td><td></td></tr> <tr><td></td><td></td><td></td><td></td><td></td><td></td><td></td><td></td><td></td><td>9</td><td></td><td></td><td>5</td><td></td><td></td><td></td><td>1</td></tr> </table>										61								73													20													9			5				1																																	
									61																																																																																		
73													20																																																																														
									9			5				1																																																																											
AVAILABLE	NOT APPLICABLE	34566-3463	G	9	H	ST GRY	<table border="1"> <tr><td></td><td></td><td></td><td></td><td></td><td></td><td></td><td></td><td></td><td></td><td></td><td></td><td></td><td></td><td></td><td></td><td>61</td></tr> <tr><td colspan="2">73</td><td></td><td></td><td></td><td></td><td></td><td></td><td></td><td></td><td></td><td></td><td></td><td></td><td></td><td></td><td></td></tr> <tr><td>20</td><td></td><td></td><td></td><td></td><td></td><td></td><td></td><td></td><td>9</td><td></td><td></td><td>5</td><td></td><td></td><td></td><td>1</td></tr> </table>																	61	73																	20									9			5				1																																	
																61																																																																											
73																																																																																											
20									9			5				1																																																																											
AVAILABLE	NOT APPLICABLE	34566-3473	G	9	B	ST GRY	<table border="1"> <tr><td>72</td><td>71</td><td>70</td><td>69</td><td>68</td><td>67</td><td>66</td><td>65</td><td>64</td><td></td><td>62</td><td>61</td><td>60</td><td>59</td><td>58</td><td>57</td><td>56</td><td>55</td><td>54</td><td></td></tr> <tr><td>52</td><td>51</td><td>50</td><td>49</td><td></td><td></td><td>46</td><td></td><td>44</td><td></td><td></td><td>40</td><td></td><td>38</td><td>37</td><td>36</td><td></td><td></td><td></td><td></td></tr> <tr><td colspan="2">73</td><td></td><td>32</td><td>31</td><td>30</td><td>29</td><td>28</td><td>27</td><td></td><td>25</td><td>24</td><td></td><td></td><td>21</td><td>20</td><td></td><td>18</td><td>17</td><td></td></tr> <tr><td></td><td></td><td></td><td>16</td><td>15</td><td>14</td><td>13</td><td>12</td><td></td><td>10</td><td>9</td><td></td><td>7</td><td>6</td><td>5</td><td>4</td><td>3</td><td>2</td><td></td><td></td></tr> </table>	72	71	70	69	68	67	66	65	64		62	61	60	59	58	57	56	55	54		52	51	50	49			46		44			40		38	37	36					73			32	31	30	29	28	27		25	24			21	20		18	17					16	15	14	13	12		10	9		7	6	5	4	3	2						
72	71	70	69	68	67	66	65	64		62	61	60	59	58	57	56	55	54																																																																									
52	51	50	49			46		44			40		38	37	36																																																																												
73			32	31	30	29	28	27		25	24			21	20		18	17																																																																									
			16	15	14	13	12		10	9		7	6	5	4	3	2																																																																										
AVAILABLE	NOT APPLICABLE	34566-3483	G	0	B	ST GRY	<table border="1"> <tr><td>72</td><td>71</td><td>70</td><td>69</td><td>68</td><td>67</td><td>66</td><td>65</td><td></td><td></td><td>61</td><td>60</td><td></td><td></td><td>57</td><td>56</td><td>55</td><td>54</td><td></td><td></td></tr> <tr><td>52</td><td>51</td><td>50</td><td>49</td><td>48</td><td></td><td>46</td><td></td><td>44</td><td></td><td></td><td>40</td><td></td><td>38</td><td>37</td><td>36</td><td></td><td></td><td></td><td></td></tr> <tr><td colspan="2">73</td><td></td><td>32</td><td>31</td><td>30</td><td>29</td><td>28</td><td>27</td><td></td><td>24</td><td></td><td></td><td>21</td><td>20</td><td>19</td><td>18</td><td>17</td><td></td><td></td></tr> <tr><td></td><td></td><td></td><td>16</td><td>15</td><td>14</td><td>13</td><td>12</td><td>11</td><td>10</td><td>9</td><td></td><td>7</td><td>6</td><td>5</td><td>4</td><td></td><td>2</td><td></td><td></td></tr> </table>	72	71	70	69	68	67	66	65			61	60			57	56	55	54			52	51	50	49	48		46		44			40		38	37	36					73			32	31	30	29	28	27		24			21	20	19	18	17						16	15	14	13	12	11	10	9		7	6	5	4		2						
72	71	70	69	68	67	66	65			61	60			57	56	55	54																																																																										
52	51	50	49	48		46		44			40		38	37	36																																																																												
73			32	31	30	29	28	27		24			21	20	19	18	17																																																																										
			16	15	14	13	12	11	10	9		7	6	5	4		2																																																																										
AVAILABLE	NOT APPLICABLE	34566-3493	G	0	A	BLACK	<table border="1"> <tr><td>72</td><td></td><td>70</td><td></td><td>67</td><td>66</td><td>65</td><td></td><td></td><td></td><td>61</td><td></td><td></td><td>58</td><td>57</td><td></td><td>55</td><td>54</td><td></td><td></td></tr> <tr><td></td><td></td><td></td><td>49</td><td></td><td>47</td><td></td><td>45</td><td>44</td><td>43</td><td>42</td><td>41</td><td>39</td><td></td><td>37</td><td></td><td>35</td><td></td><td></td><td></td></tr> <tr><td colspan="2">73</td><td></td><td>32</td><td></td><td>30</td><td></td><td></td><td>27</td><td>26</td><td>25</td><td>24</td><td></td><td></td><td>21</td><td>20</td><td>19</td><td>18</td><td>17</td><td></td></tr> <tr><td></td><td></td><td></td><td>16</td><td>15</td><td></td><td>13</td><td></td><td>11</td><td>10</td><td>9</td><td>8</td><td></td><td>6</td><td>5</td><td></td><td>3</td><td>2</td><td>1</td><td></td></tr> </table>	72		70		67	66	65				61			58	57		55	54						49		47		45	44	43	42	41	39		37		35				73			32		30			27	26	25	24			21	20	19	18	17					16	15		13		11	10	9	8		6	5		3	2	1					
72		70		67	66	65				61			58	57		55	54																																																																										
			49		47		45	44	43	42	41	39		37		35																																																																											
73			32		30			27	26	25	24			21	20	19	18	17																																																																									
			16	15		13		11	10	9	8		6	5		3	2	1																																																																									
AVAILABLE	NOT APPLICABLE	34566-3513	G	0	A	BLACK	<table border="1"> <tr><td></td><td></td><td>70</td><td>69</td><td></td><td></td><td></td><td></td><td></td><td></td><td>63</td><td>62</td><td>61</td><td>60</td><td></td><td>58</td><td>57</td><td>56</td><td>55</td><td>54</td><td>53</td></tr> <tr><td>52</td><td>51</td><td></td><td>49</td><td></td><td></td><td></td><td></td><td>44</td><td>43</td><td>42</td><td>41</td><td></td><td></td><td></td><td>37</td><td>36</td><td></td><td></td><td>34</td><td></td></tr> <tr><td colspan="2">73</td><td></td><td>32</td><td></td><td></td><td>29</td><td>28</td><td>27</td><td>26</td><td></td><td></td><td></td><td></td><td></td><td></td><td></td><td></td><td>19</td><td>18</td><td></td></tr> <tr><td></td><td></td><td></td><td>16</td><td>15</td><td></td><td>13</td><td>12</td><td>11</td><td>10</td><td></td><td></td><td></td><td></td><td></td><td></td><td></td><td></td><td>3</td><td></td><td></td></tr> </table>			70	69							63	62	61	60		58	57	56	55	54	53	52	51		49					44	43	42	41				37	36			34		73			32			29	28	27	26									19	18					16	15		13	12	11	10									3		
		70	69							63	62	61	60		58	57	56	55	54	53																																																																							
52	51		49					44	43	42	41				37	36			34																																																																								
73			32			29	28	27	26									19	18																																																																								
			16	15		13	12	11	10									3																																																																									

<b>QUALITY SYMBOLS</b> = 0 = 0 = 0 = 0 = 0 = 0 = 0 = 0 = 0	THIS DRAWING CONTAINS INFORMATION THAT IS PROPRIETARY TO MOLEX ELECTRONIC TECHNOLOGIES, LLC AND SHOULD NOT BE USED WITHOUT WRITTEN PERMISSION											
	2017/04/12	2017/04/21	GENERAL TOLERANCES (UNLESS SPECIFIED)		DIMENSION UNITS	SCALE						
	DRWN BY		DATE		MM	1:1						
	SKRAJENDRANA		2011/02/14		DRWN BY						DATE	
	CHKD BY		DATE		SKRAJENDRANA						2011/02/14	
	APPR BY		DATE		MVANSLAMBROU						2011/02/14	
	DRAFT WHERE APPLICABLE MUST REMAIN WITHIN DIMENSIONS		DRAWING SIZE	THIRD ANGLE PROJECTION	PRODUCT CUSTOMER DRAWING							
	D				SERIES	MATERIAL NUMBER					CUSTOMER	
	G50		SD-34566-001		34566	SEE BOM TABLE					GENERAL MARKET	
	REV APPR: JDENG02		PSD		000	41 OF 93						

STATUS	GM PART #	MATERIAL #	WIRE DRESS OPTION	KEY OPTION	COLOR (TPA)	NUMBERS INDICATE CAVITIES OPEN FOR CIRCUITS																																																																																		
SALEABLE	NOT APPLICABLE	34566-3523	0	A	BLACK	<table border="1"> <tr><td>72</td><td>70</td><td></td><td></td><td>66</td><td></td><td>63</td><td>62</td><td></td><td></td><td></td><td></td><td>56</td><td>55</td><td>54</td></tr> <tr><td>52</td><td></td><td>49</td><td></td><td></td><td></td><td>43</td><td>42</td><td></td><td></td><td></td><td></td><td>36</td><td>35</td><td>34</td></tr> <tr><td colspan="4">73</td><td>31</td><td></td><td>28</td><td>26</td><td></td><td></td><td></td><td>21</td><td>20</td><td>19</td><td>18</td></tr> <tr><td colspan="4"></td><td>16</td><td>15</td><td></td><td>12</td><td>10</td><td>9</td><td></td><td>5</td><td></td><td>2</td><td>1</td></tr> </table>	72	70			66		63	62					56	55	54	52		49				43	42					36	35	34	73				31		28	26				21	20	19	18					16	15		12	10	9		5		2	1																						
72	70			66		63	62					56	55	54																																																																										
52		49				43	42					36	35	34																																																																										
73				31		28	26				21	20	19	18																																																																										
				16	15		12	10	9		5		2	1																																																																										
SALEABLE	NOT APPLICABLE	34566-3533	9	A	BLACK	<table border="1"> <tr><td></td><td></td><td>69</td><td></td><td></td><td></td><td>63</td><td></td><td></td><td></td><td></td><td>58</td><td>56</td><td>55</td><td>54</td><td>53</td></tr> <tr><td>52</td><td>51</td><td>49</td><td></td><td></td><td></td><td>44</td><td>43</td><td>42</td><td>41</td><td></td><td></td><td>36</td><td>35</td><td>34</td><td>33</td></tr> <tr><td colspan="4">73</td><td>32</td><td></td><td>28</td><td>26</td><td></td><td></td><td></td><td></td><td>19</td><td>18</td><td>17</td></tr> <tr><td colspan="4"></td><td>16</td><td></td><td>12</td><td>10</td><td></td><td></td><td></td><td></td><td>3</td><td>2</td><td>1</td></tr> </table>			69				63					58	56	55	54	53	52	51	49				44	43	42	41			36	35	34	33	73				32		28	26					19	18	17					16		12	10					3	2	1																				
		69				63					58	56	55	54	53																																																																									
52	51	49				44	43	42	41			36	35	34	33																																																																									
73				32		28	26					19	18	17																																																																										
				16		12	10					3	2	1																																																																										
AVAILABLE	NOT APPLICABLE	34566-3543	9	A	BLACK	<table border="1"> <tr><td>72</td><td>70</td><td></td><td></td><td>66</td><td></td><td>63</td><td>62</td><td></td><td></td><td></td><td>59</td><td>57</td><td>56</td><td>55</td><td>53</td></tr> <tr><td>52</td><td>51</td><td></td><td></td><td>46</td><td>44</td><td>42</td><td></td><td>40</td><td>39</td><td></td><td></td><td></td><td></td><td>34</td><td>33</td></tr> <tr><td colspan="4">73</td><td>30</td><td></td><td>26</td><td>25</td><td></td><td></td><td></td><td>22</td><td>21</td><td></td><td></td><td></td></tr> <tr><td colspan="4"></td><td>15</td><td>14</td><td></td><td>10</td><td>9</td><td></td><td></td><td>6</td><td></td><td></td><td></td><td></td></tr> </table>	72	70			66		63	62				59	57	56	55	53	52	51			46	44	42		40	39					34	33	73				30		26	25				22	21								15	14		10	9			6																						
72	70			66		63	62				59	57	56	55	53																																																																									
52	51			46	44	42		40	39					34	33																																																																									
73				30		26	25				22	21																																																																												
				15	14		10	9			6																																																																													
AVAILABLE	NOT APPLICABLE	34566-3553	9	C	BLUE	<table border="1"> <tr><td>72</td><td>71</td><td>70</td><td>69</td><td>68</td><td>67</td><td>66</td><td>65</td><td></td><td>63</td><td>62</td><td>61</td><td></td><td>59</td><td>58</td><td>57</td><td>56</td><td>55</td><td>54</td><td>53</td></tr> <tr><td></td><td>51</td><td>50</td><td>49</td><td>48</td><td></td><td>46</td><td>45</td><td>44</td><td>43</td><td>42</td><td>41</td><td>40</td><td>39</td><td>38</td><td></td><td>36</td><td>35</td><td>34</td><td>33</td></tr> <tr><td colspan="4">73</td><td>31</td><td>30</td><td>29</td><td>28</td><td>27</td><td>26</td><td>25</td><td></td><td></td><td>22</td><td>20</td><td>19</td><td>18</td><td>17</td><td></td><td></td><td></td></tr> <tr><td colspan="4"></td><td>16</td><td>15</td><td>14</td><td></td><td></td><td>11</td><td>10</td><td>9</td><td>7</td><td>6</td><td>5</td><td></td><td>3</td><td>2</td><td>1</td><td></td><td></td></tr> </table>	72	71	70	69	68	67	66	65		63	62	61		59	58	57	56	55	54	53		51	50	49	48		46	45	44	43	42	41	40	39	38		36	35	34	33	73				31	30	29	28	27	26	25			22	20	19	18	17								16	15	14			11	10	9	7	6	5		3	2	1		
72	71	70	69	68	67	66	65		63	62	61		59	58	57	56	55	54	53																																																																					
	51	50	49	48		46	45	44	43	42	41	40	39	38		36	35	34	33																																																																					
73				31	30	29	28	27	26	25			22	20	19	18	17																																																																							
				16	15	14			11	10	9	7	6	5		3	2	1																																																																						
AVAILABLE	NOT APPLICABLE	34566-3563	9	C	BLUE	<table border="1"> <tr><td>72</td><td>70</td><td></td><td></td><td>68</td><td>67</td><td>66</td><td></td><td></td><td>63</td><td>62</td><td></td><td></td><td>59</td><td></td><td>57</td><td></td><td></td><td></td><td>53</td></tr> <tr><td>52</td><td>51</td><td></td><td></td><td>48</td><td>47</td><td>46</td><td></td><td>44</td><td></td><td>42</td><td></td><td>40</td><td>39</td><td>38</td><td></td><td></td><td></td><td>34</td><td>33</td></tr> <tr><td colspan="4">73</td><td>32</td><td></td><td>30</td><td></td><td></td><td>27</td><td>26</td><td>25</td><td></td><td></td><td>22</td><td>21</td><td></td><td></td><td></td><td></td><td></td></tr> <tr><td colspan="4"></td><td></td><td>15</td><td>14</td><td></td><td></td><td></td><td>10</td><td>9</td><td></td><td>6</td><td>5</td><td>4</td><td></td><td></td><td></td><td></td><td></td></tr> </table>	72	70			68	67	66			63	62			59		57				53	52	51			48	47	46		44		42		40	39	38				34	33	73				32		30			27	26	25			22	21											15	14				10	9		6	5	4					
72	70			68	67	66			63	62			59		57				53																																																																					
52	51			48	47	46		44		42		40	39	38				34	33																																																																					
73				32		30			27	26	25			22	21																																																																									
					15	14				10	9		6	5	4																																																																									
AVAILABLE	NOT APPLICABLE	34566-3573	9	C	BLUE	<table border="1"> <tr><td></td><td></td><td>70</td><td>69</td><td>68</td><td></td><td></td><td></td><td></td><td>63</td><td>62</td><td>61</td><td></td><td></td><td>58</td><td>57</td><td>56</td><td>55</td><td>54</td><td>53</td></tr> <tr><td>52</td><td>51</td><td>50</td><td>49</td><td>48</td><td>47</td><td></td><td></td><td>44</td><td>43</td><td>42</td><td>41</td><td></td><td></td><td></td><td>37</td><td>36</td><td></td><td>34</td><td></td></tr> <tr><td colspan="4">73</td><td>32</td><td></td><td></td><td>29</td><td>28</td><td>27</td><td>26</td><td></td><td></td><td></td><td></td><td></td><td></td><td>19</td><td>18</td><td></td><td></td></tr> <tr><td colspan="4"></td><td>16</td><td>15</td><td>14</td><td>13</td><td>12</td><td>11</td><td>10</td><td></td><td></td><td></td><td></td><td></td><td></td><td>3</td><td></td><td></td><td></td></tr> </table>			70	69	68					63	62	61			58	57	56	55	54	53	52	51	50	49	48	47			44	43	42	41				37	36		34		73				32			29	28	27	26							19	18							16	15	14	13	12	11	10							3			
		70	69	68					63	62	61			58	57	56	55	54	53																																																																					
52	51	50	49	48	47			44	43	42	41				37	36		34																																																																						
73				32			29	28	27	26							19	18																																																																						
				16	15	14	13	12	11	10							3																																																																							
AVAILABLE	NOT APPLICABLE	34566-3583	9	A	BLACK	<table border="1"> <tr><td></td><td></td><td>70</td><td>69</td><td></td><td></td><td></td><td></td><td></td><td>63</td><td>62</td><td>61</td><td></td><td></td><td>58</td><td>57</td><td>56</td><td>55</td><td>54</td><td>53</td></tr> <tr><td>52</td><td>51</td><td>50</td><td>49</td><td></td><td></td><td></td><td></td><td>44</td><td>43</td><td>42</td><td>41</td><td></td><td></td><td></td><td>37</td><td>36</td><td></td><td>34</td><td></td></tr> <tr><td colspan="4">73</td><td>32</td><td></td><td></td><td>29</td><td>28</td><td>27</td><td>26</td><td></td><td></td><td></td><td></td><td></td><td></td><td>19</td><td>18</td><td></td><td></td></tr> <tr><td colspan="4"></td><td>16</td><td>15</td><td>14</td><td>13</td><td>12</td><td>11</td><td>10</td><td></td><td></td><td></td><td></td><td></td><td></td><td>3</td><td></td><td></td><td></td></tr> </table>			70	69						63	62	61			58	57	56	55	54	53	52	51	50	49					44	43	42	41				37	36		34		73				32			29	28	27	26							19	18							16	15	14	13	12	11	10							3			
		70	69						63	62	61			58	57	56	55	54	53																																																																					
52	51	50	49					44	43	42	41				37	36		34																																																																						
73				32			29	28	27	26							19	18																																																																						
				16	15	14	13	12	11	10							3																																																																							
AVAILABLE	NOT APPLICABLE	34566-3593	0	A	BLACK	<table border="1"> <tr><td></td><td>71</td><td></td><td>69</td><td></td><td></td><td></td><td></td><td></td><td>64</td><td>63</td><td></td><td></td><td>60</td><td>58</td><td>57</td><td>56</td><td>55</td><td>54</td><td>53</td></tr> <tr><td>52</td><td>51</td><td></td><td>49</td><td></td><td></td><td></td><td></td><td>45</td><td>44</td><td>43</td><td>42</td><td>41</td><td></td><td></td><td>37</td><td>36</td><td>35</td><td>34</td><td>33</td></tr> <tr><td colspan="4">73</td><td>32</td><td></td><td>30</td><td></td><td></td><td>28</td><td></td><td>26</td><td></td><td></td><td></td><td></td><td></td><td>19</td><td>18</td><td></td><td></td></tr> <tr><td colspan="4"></td><td>16</td><td>15</td><td></td><td></td><td></td><td>12</td><td></td><td>10</td><td></td><td></td><td></td><td></td><td></td><td>3</td><td></td><td></td><td></td></tr> </table>		71		69						64	63			60	58	57	56	55	54	53	52	51		49					45	44	43	42	41			37	36	35	34	33	73				32		30			28		26						19	18							16	15				12		10						3			
	71		69						64	63			60	58	57	56	55	54	53																																																																					
52	51		49					45	44	43	42	41			37	36	35	34	33																																																																					
73				32		30			28		26						19	18																																																																						
				16	15				12		10						3																																																																							
AVAILABLE	NOT APPLICABLE	34566-3613	0	B	ST GRY	<table border="1"> <tr><td></td><td></td><td></td><td></td><td>68</td><td>67</td><td></td><td></td><td></td><td>64</td><td>63</td><td></td><td></td><td></td><td>59</td><td></td><td></td><td></td><td></td><td></td></tr> <tr><td></td><td></td><td></td><td></td><td></td><td></td><td>46</td><td>45</td><td></td><td>43</td><td></td><td></td><td></td><td></td><td>39</td><td></td><td></td><td></td><td></td><td></td></tr> <tr><td colspan="4">73</td><td>32</td><td></td><td>30</td><td>29</td><td>28</td><td>27</td><td></td><td></td><td></td><td></td><td></td><td></td><td></td><td></td><td></td><td></td><td></td></tr> <tr><td colspan="4"></td><td></td><td></td><td></td><td></td><td></td><td></td><td>10</td><td></td><td></td><td></td><td>6</td><td>5</td><td>4</td><td>3</td><td></td><td></td><td></td></tr> </table>					68	67				64	63				59												46	45		43					39						73				32		30	29	28	27																						10				6	5	4	3			
				68	67				64	63				59																																																																										
						46	45		43					39																																																																										
73				32		30	29	28	27																																																																															
										10				6	5	4	3																																																																							

<b>QUALITY SYMBOLS</b> = 0 = 0 = 0 = 0 = 0 = 0 = 0 = 0 = 0	THIS DRAWING CONTAINS INFORMATION THAT IS PROPRIETARY TO MOLEX ELECTRONIC TECHNOLOGIES, LLC AND SHOULD NOT BE USED WITHOUT WRITTEN PERMISSION									
	2017/04/12	2017/04/21	GENERAL TOLERANCES (UNLESS SPECIFIED)	DIMENSION UNITS	SCALE					
	MM	1:1								
	DRWN BY	DATE	ANGULAR TOL ± °	SKRAJENDRANA	2011/02/14					
	CHKD BY	DATE	4 PLACES ±	MVANSLAMBROU	2011/02/14					
	APPR BY	DATE	3 PLACES ±							
			2 PLACES ±							
			1 PLACE ±							
		0 PLACES ±								
		DRAFT WHERE APPLICABLE MUST REMAIN WITHIN DIMENSIONS	DRAWING SIZE	THIRD ANGLE PROJECTION	PRODUCT CUSTOMER DRAWING SERIES: 34566 MATERIAL NUMBER: SEE BOM TABLE CUSTOMER: GENERAL MARKET					
			D		DOCUMENT NUMBER: SD-34566-001 DOC TYPE: PSD DOC PART: 000 SHEET NUMBER: 42 OF 93					

STATUS	GM PART #	MATERIAL #	WIRE DRESS OPTION	KEY OPTION	COLOR (TPA)	NUMBERS INDICATE CAVITIES OPEN FOR CIRCUITS																																																																																									
AVAILABLE	NOT APPLICABLE	34566-3623	0	A	BLACK	<table border="1"> <tr><td>72</td><td></td><td>70</td><td>69</td><td></td><td></td><td></td><td></td><td></td><td></td><td>63</td><td>62</td><td>61</td><td>60</td><td>59</td><td>58</td><td>57</td><td>56</td><td>55</td><td>54</td><td>53</td></tr> <tr><td>52</td><td>51</td><td></td><td>49</td><td></td><td></td><td></td><td></td><td></td><td>44</td><td>43</td><td>42</td><td>41</td><td></td><td></td><td></td><td></td><td>37</td><td>36</td><td></td><td>34</td><td></td></tr> <tr><td colspan="3">73</td><td>32</td><td></td><td></td><td>29</td><td>28</td><td>27</td><td>26</td><td></td><td></td><td></td><td></td><td></td><td></td><td></td><td></td><td></td><td>19</td><td>18</td><td></td></tr> <tr><td colspan="3">73</td><td>16</td><td>15</td><td></td><td>13</td><td>12</td><td>11</td><td>10</td><td></td><td></td><td></td><td>8</td><td></td><td></td><td></td><td></td><td></td><td></td><td>3</td><td></td><td></td></tr> </table>	72		70	69							63	62	61	60	59	58	57	56	55	54	53	52	51		49						44	43	42	41					37	36		34		73			32			29	28	27	26										19	18		73			16	15		13	12	11	10				8							3			
72		70	69							63	62	61	60	59	58	57	56	55	54	53																																																																											
52	51		49						44	43	42	41					37	36		34																																																																											
73			32			29	28	27	26										19	18																																																																											
73			16	15		13	12	11	10				8							3																																																																											
AVAILABLE	NOT APPLICABLE	34566-3633	0	C	BLUE	<table border="1"> <tr><td>72</td><td></td><td>70</td><td></td><td>68</td><td>67</td><td>66</td><td></td><td></td><td>63</td><td>62</td><td></td><td></td><td></td><td>59</td><td></td><td>57</td><td></td><td></td><td></td><td></td><td>53</td></tr> <tr><td>52</td><td>51</td><td></td><td></td><td>48</td><td>47</td><td>46</td><td></td><td>44</td><td></td><td></td><td></td><td></td><td>40</td><td>39</td><td>38</td><td>37</td><td>36</td><td></td><td></td><td>34</td><td>33</td></tr> <tr><td colspan="3">73</td><td>32</td><td></td><td>30</td><td></td><td></td><td></td><td>26</td><td>25</td><td>24</td><td>23</td><td>22</td><td>21</td><td></td><td></td><td></td><td></td><td></td><td></td><td></td></tr> <tr><td colspan="3">73</td><td></td><td>15</td><td>14</td><td></td><td></td><td></td><td>10</td><td>9</td><td>8</td><td>7</td><td>6</td><td>5</td><td>4</td><td></td><td></td><td></td><td></td><td>2</td><td></td></tr> </table>	72		70		68	67	66			63	62				59		57					53	52	51			48	47	46		44					40	39	38	37	36			34	33	73			32		30				26	25	24	23	22	21								73				15	14				10	9	8	7	6	5	4					2		
72		70		68	67	66			63	62				59		57					53																																																																										
52	51			48	47	46		44					40	39	38	37	36			34	33																																																																										
73			32		30				26	25	24	23	22	21																																																																																	
73				15	14				10	9	8	7	6	5	4					2																																																																											
AVAILABLE	NOT APPLICABLE	34566-3643	0	B	ST GRY	<table border="1"> <tr><td>72</td><td>71</td><td>70</td><td></td><td>68</td><td>67</td><td>66</td><td></td><td>64</td><td>63</td><td></td><td></td><td></td><td></td><td>59</td><td></td><td></td><td></td><td></td><td></td><td></td><td>53</td></tr> <tr><td>52</td><td>51</td><td>50</td><td></td><td>48</td><td>47</td><td>46</td><td></td><td></td><td></td><td></td><td></td><td></td><td></td><td>39</td><td></td><td></td><td></td><td></td><td></td><td>34</td><td>33</td></tr> <tr><td colspan="3">73</td><td>32</td><td>31</td><td>30</td><td>29</td><td>28</td><td>27</td><td>26</td><td>25</td><td>24</td><td></td><td></td><td></td><td></td><td></td><td></td><td></td><td></td><td></td><td>17</td></tr> <tr><td colspan="3">73</td><td></td><td>16</td><td>15</td><td>14</td><td>13</td><td></td><td></td><td>10</td><td></td><td></td><td>8</td><td></td><td></td><td></td><td></td><td></td><td></td><td>2</td><td>1</td></tr> </table>	72	71	70		68	67	66		64	63					59							53	52	51	50		48	47	46								39						34	33	73			32	31	30	29	28	27	26	25	24										17	73				16	15	14	13			10			8							2	1	
72	71	70		68	67	66		64	63					59							53																																																																										
52	51	50		48	47	46								39						34	33																																																																										
73			32	31	30	29	28	27	26	25	24										17																																																																										
73				16	15	14	13			10			8							2	1																																																																										
AVAILABLE	NOT APPLICABLE	34566-3653	0	B	ST GRY	<table border="1"> <tr><td>72</td><td>71</td><td>70</td><td>69</td><td>68</td><td></td><td>66</td><td>65</td><td>64</td><td>63</td><td></td><td></td><td></td><td></td><td>59</td><td></td><td></td><td></td><td></td><td></td><td></td><td>53</td></tr> <tr><td>52</td><td>51</td><td>50</td><td>49</td><td>48</td><td>47</td><td>46</td><td>45</td><td>44</td><td>43</td><td></td><td></td><td></td><td></td><td>39</td><td></td><td></td><td></td><td></td><td></td><td>34</td><td>33</td></tr> <tr><td colspan="3">73</td><td>32</td><td></td><td>30</td><td>29</td><td>28</td><td>27</td><td>26</td><td>25</td><td>24</td><td></td><td></td><td></td><td></td><td></td><td></td><td></td><td></td><td></td><td>17</td></tr> <tr><td colspan="3">73</td><td></td><td>16</td><td></td><td>14</td><td>13</td><td>12</td><td>11</td><td>10</td><td></td><td></td><td>8</td><td></td><td></td><td></td><td></td><td></td><td></td><td>3</td><td>2</td><td>1</td></tr> </table>	72	71	70	69	68		66	65	64	63					59							53	52	51	50	49	48	47	46	45	44	43					39						34	33	73			32		30	29	28	27	26	25	24										17	73				16		14	13	12	11	10			8							3	2	1
72	71	70	69	68		66	65	64	63					59							53																																																																										
52	51	50	49	48	47	46	45	44	43					39						34	33																																																																										
73			32		30	29	28	27	26	25	24										17																																																																										
73				16		14	13	12	11	10			8							3	2	1																																																																									
AVAILABLE	NOT APPLICABLE	34566-3663	0	A	BLACK	<table border="1"> <tr><td>72</td><td></td><td>70</td><td>69</td><td></td><td></td><td></td><td></td><td></td><td></td><td>63</td><td>62</td><td>61</td><td>60</td><td>59</td><td>58</td><td>57</td><td>56</td><td>55</td><td>54</td><td>53</td></tr> <tr><td>52</td><td>51</td><td></td><td>49</td><td></td><td></td><td></td><td></td><td></td><td>44</td><td>43</td><td>42</td><td>41</td><td></td><td></td><td></td><td></td><td>37</td><td>36</td><td></td><td>34</td><td></td></tr> <tr><td colspan="3">73</td><td>32</td><td></td><td></td><td></td><td>29</td><td>28</td><td>27</td><td>26</td><td></td><td></td><td></td><td></td><td></td><td></td><td></td><td></td><td></td><td>19</td><td>18</td></tr> <tr><td colspan="3">73</td><td></td><td>16</td><td>15</td><td></td><td>13</td><td>12</td><td>11</td><td>10</td><td></td><td></td><td></td><td>7</td><td>6</td><td></td><td></td><td></td><td></td><td>3</td><td></td><td></td></tr> </table>	72		70	69							63	62	61	60	59	58	57	56	55	54	53	52	51		49						44	43	42	41					37	36		34		73			32				29	28	27	26										19	18	73				16	15		13	12	11	10				7	6					3			
72		70	69							63	62	61	60	59	58	57	56	55	54	53																																																																											
52	51		49						44	43	42	41					37	36		34																																																																											
73			32				29	28	27	26										19	18																																																																										
73				16	15		13	12	11	10				7	6					3																																																																											
AVAILABLE	NOT APPLICABLE	34566-3673	9	C	BLUE	<table border="1"> <tr><td></td><td>71</td><td>70</td><td>69</td><td>68</td><td>67</td><td></td><td>65</td><td></td><td>63</td><td>62</td><td>61</td><td></td><td>59</td><td>58</td><td>57</td><td>56</td><td>55</td><td>54</td><td>53</td></tr> <tr><td></td><td>51</td><td>50</td><td>49</td><td>48</td><td></td><td></td><td>45</td><td>44</td><td>43</td><td>42</td><td>41</td><td>40</td><td>39</td><td>38</td><td></td><td>36</td><td>35</td><td>34</td><td>33</td></tr> <tr><td colspan="3">73</td><td></td><td></td><td>31</td><td>30</td><td>29</td><td>28</td><td>27</td><td>26</td><td></td><td></td><td></td><td>22</td><td></td><td>20</td><td>19</td><td>18</td><td>17</td></tr> <tr><td colspan="3">73</td><td></td><td></td><td>16</td><td>15</td><td>14</td><td></td><td></td><td></td><td></td><td>9</td><td>7</td><td>6</td><td>5</td><td></td><td>3</td><td>2</td><td>1</td></tr> </table>		71	70	69	68	67		65		63	62	61		59	58	57	56	55	54	53		51	50	49	48			45	44	43	42	41	40	39	38		36	35	34	33	73					31	30	29	28	27	26				22		20	19	18	17	73					16	15	14					9	7	6	5		3	2	1									
	71	70	69	68	67		65		63	62	61		59	58	57	56	55	54	53																																																																												
	51	50	49	48			45	44	43	42	41	40	39	38		36	35	34	33																																																																												
73					31	30	29	28	27	26				22		20	19	18	17																																																																												
73					16	15	14					9	7	6	5		3	2	1																																																																												
AVAILABLE	NOT APPLICABLE	34566-3683	9	H	ST GRY	<table border="1"> <tr><td></td><td></td><td></td><td></td><td></td><td></td><td></td><td></td><td></td><td></td><td></td><td></td><td></td><td></td><td></td><td></td><td></td><td></td><td></td><td></td><td></td><td>61</td></tr> <tr><td></td><td></td><td></td><td></td><td></td><td></td><td></td><td></td><td></td><td></td><td></td><td></td><td></td><td></td><td></td><td></td><td></td><td></td><td></td><td></td><td></td><td></td></tr> <tr><td></td><td></td><td></td><td></td><td></td><td></td><td></td><td></td><td></td><td>32</td><td></td><td></td><td></td><td></td><td></td><td></td><td></td><td></td><td></td><td></td><td></td><td></td></tr> <tr><td>20</td><td></td><td></td><td></td><td></td><td></td><td>15</td><td></td><td></td><td></td><td></td><td></td><td>9</td><td></td><td></td><td></td><td>5</td><td></td><td></td><td></td><td></td><td>1</td></tr> </table>																						61																																32													20						15						9				5					1	
																					61																																																																										
									32																																																																																						
20						15						9				5					1																																																																										
AVAILABLE	NOT APPLICABLE	34566-3693	0	C	BLUE	<table border="1"> <tr><td>72</td><td></td><td>70</td><td></td><td>68</td><td>67</td><td>66</td><td></td><td></td><td>63</td><td>62</td><td></td><td></td><td></td><td>59</td><td></td><td>57</td><td></td><td></td><td></td><td></td><td>53</td></tr> <tr><td>52</td><td>51</td><td></td><td></td><td>48</td><td>47</td><td>46</td><td></td><td>44</td><td></td><td>42</td><td></td><td></td><td>40</td><td>39</td><td>38</td><td></td><td></td><td></td><td></td><td>34</td><td>33</td></tr> <tr><td colspan="3">73</td><td>32</td><td></td><td>30</td><td></td><td></td><td></td><td>27</td><td>26</td><td>25</td><td></td><td></td><td></td><td>22</td><td>21</td><td></td><td></td><td></td><td></td><td></td></tr> <tr><td colspan="3">73</td><td></td><td>15</td><td>14</td><td></td><td></td><td></td><td></td><td>10</td><td>9</td><td></td><td></td><td></td><td>6</td><td>5</td><td>4</td><td></td><td></td><td></td><td></td></tr> </table>	72		70		68	67	66			63	62				59		57					53	52	51			48	47	46		44		42			40	39	38					34	33	73			32		30				27	26	25				22	21						73				15	14					10	9				6	5	4					
72		70		68	67	66			63	62				59		57					53																																																																										
52	51			48	47	46		44		42			40	39	38					34	33																																																																										
73			32		30				27	26	25				22	21																																																																															
73				15	14					10	9				6	5	4																																																																														
AVAILABLE	NOT APPLICABLE	34566-3713	0	C	BLUE	<table border="1"> <tr><td>72</td><td></td><td>70</td><td></td><td>68</td><td>67</td><td>66</td><td></td><td></td><td>63</td><td>62</td><td></td><td></td><td></td><td>59</td><td></td><td>57</td><td></td><td></td><td></td><td></td><td>53</td></tr> <tr><td>52</td><td>51</td><td></td><td></td><td>48</td><td>47</td><td>46</td><td></td><td>44</td><td></td><td>42</td><td></td><td></td><td>40</td><td>39</td><td></td><td></td><td></td><td></td><td></td><td>34</td><td>33</td></tr> <tr><td colspan="3">73</td><td>32</td><td></td><td>30</td><td></td><td></td><td></td><td>27</td><td>26</td><td>25</td><td></td><td></td><td></td><td>22</td><td>21</td><td></td><td></td><td></td><td></td><td></td></tr> <tr><td colspan="3">73</td><td></td><td>15</td><td>14</td><td></td><td></td><td></td><td></td><td>10</td><td>9</td><td></td><td></td><td></td><td>6</td><td>5</td><td>4</td><td></td><td></td><td></td><td></td></tr> </table>	72		70		68	67	66			63	62				59		57					53	52	51			48	47	46		44		42			40	39						34	33	73			32		30				27	26	25				22	21						73				15	14					10	9				6	5	4					
72		70		68	67	66			63	62				59		57					53																																																																										
52	51			48	47	46		44		42			40	39						34	33																																																																										
73			32		30				27	26	25				22	21																																																																															
73				15	14					10	9				6	5	4																																																																														

<p>QUALITY SYMBOLS</p> <p>▽ = 0</p> <p>▽ = 0</p> <p>▽ = 0</p> <p>▽ = 0</p> <p>▽ = 0</p> <p>▽ = 0</p> <p>▽ = 0</p> <p>▽ = 0</p> <p>▽ = 0</p> <p>▽ = 0</p>	<p>THIS DRAWING CONTAINS INFORMATION THAT IS PROPRIETARY TO MOLEX ELECTRONIC TECHNOLOGIES, LLC AND SHOULD NOT BE USED WITHOUT WRITTEN PERMISSION</p> <p>EC NO: 115716</p> <p>DRWN: TYE</p> <p>CHKD: JDENG02</p> <p>REV: APPR: JDENG02</p> <p>2017/04/12</p> <p>2017/04/21</p> <p>GENERAL TOLERANCES (UNLESS SPECIFIED)</p> <p>ANGULAR TOL ± °</p> <p>4 PLACES ±</p> <p>3 PLACES ±</p> <p>2 PLACES ±</p> <p>1 PLACE ±</p> <p>0 PLACES ±</p> <p>DRAFT WHERE APPLICABLE MUST REMAIN WITHIN DIMENSIONS</p>	<p>DIMENSION UNITS</p> <p>SCALE</p> <p>MM</p> <p>1:1</p> <p>DRWN BY</p> <p>DATE</p> <p>SKRAJENDRANA</p> <p>2011/02/14</p> <p>CHKD BY</p> <p>DATE</p> <p>MVANSLAMBROU</p> <p>2011/02/14</p> <p>APPR BY</p> <p>DATE</p> <p>DRAWING SIZE</p> <p>THIRD ANGLE PROJECTION</p> <p>D</p>	<p><b>molex</b></p> <p>MX123</p> <p>66/73/80CKT HRNS CONN ASSY</p> <p>PRODUCT CUSTOMER DRAWING</p> <p>SERIES</p> <p>MATERIAL NUMBER</p> <p>CUSTOMER</p> <p>34566</p> <p>SEE BOM TABLE</p> <p>GENERAL MARKET</p> <p>DOCUMENT NUMBER</p> <p>DOC TYPE</p> <p>DOC PART</p> <p>SHEET NUMBER</p> <p>SD-34566-001</p> <p>PSD</p> <p>000</p> <p>43 OF 93</p>
--	--	--	--



STATUS	GM PART #	MATERIAL #	WIRE DRESS OPTION	KEY OPTION	COLOR (TPA)	NUMBERS INDICATE CAVITIES OPEN FOR CIRCUITS																																																																																											
AVAILABLE	NOT APPLICABLE	34566-3823	0	A	BLACK	<table border="1"> <tr><td></td><td></td><td>70</td><td>69</td><td></td><td></td><td></td><td></td><td></td><td></td><td>63</td><td>61</td><td></td><td></td><td>58</td><td>57</td><td>56</td><td>55</td><td>54</td><td>53</td></tr> <tr><td>52</td><td>51</td><td></td><td>49</td><td></td><td></td><td></td><td></td><td></td><td>44</td><td>43</td><td>41</td><td></td><td></td><td></td><td>37</td><td>36</td><td></td><td></td><td>34</td></tr> <tr><td colspan="2">73</td><td></td><td>32</td><td></td><td></td><td></td><td></td><td></td><td>27</td><td>26</td><td></td><td></td><td></td><td></td><td></td><td></td><td></td><td>19</td><td>18</td></tr> <tr><td colspan="2"></td><td></td><td>16</td><td>15</td><td></td><td></td><td></td><td></td><td>11</td><td>10</td><td></td><td></td><td></td><td></td><td></td><td></td><td></td><td>3</td><td></td></tr> </table>			70	69							63	61			58	57	56	55	54	53	52	51		49						44	43	41				37	36			34	73			32						27	26								19	18				16	15					11	10								3												
		70	69							63	61			58	57	56	55	54	53																																																																														
52	51		49						44	43	41				37	36			34																																																																														
73			32						27	26								19	18																																																																														
			16	15					11	10								3																																																																															
AVAILABLE	NOT APPLICABLE	34566-3833	0	A	BLACK	<table border="1"> <tr><td></td><td></td><td>70</td><td>69</td><td></td><td></td><td></td><td></td><td></td><td></td><td>63</td><td>62</td><td>61</td><td></td><td></td><td></td><td>57</td><td>56</td><td>55</td><td>54</td><td>53</td></tr> <tr><td>52</td><td>51</td><td></td><td>49</td><td></td><td></td><td></td><td></td><td></td><td>44</td><td>43</td><td>42</td><td>41</td><td></td><td></td><td></td><td>37</td><td>36</td><td></td><td></td><td>34</td></tr> <tr><td colspan="2">73</td><td></td><td>32</td><td></td><td></td><td></td><td></td><td>29</td><td>28</td><td>27</td><td>26</td><td></td><td></td><td>23</td><td></td><td></td><td></td><td></td><td>19</td><td>18</td></tr> <tr><td colspan="2"></td><td></td><td>16</td><td>15</td><td></td><td></td><td>13</td><td>12</td><td>11</td><td>10</td><td></td><td>8</td><td></td><td></td><td></td><td></td><td></td><td></td><td>3</td><td></td></tr> </table>			70	69							63	62	61				57	56	55	54	53	52	51		49						44	43	42	41				37	36			34	73			32					29	28	27	26			23					19	18				16	15			13	12	11	10		8							3								
		70	69							63	62	61				57	56	55	54	53																																																																													
52	51		49						44	43	42	41				37	36			34																																																																													
73			32					29	28	27	26			23					19	18																																																																													
			16	15			13	12	11	10		8							3																																																																														
AVAILABLE	NOT APPLICABLE	34566-3843	0	A	BLACK	<table border="1"> <tr><td>72</td><td>71</td><td>70</td><td>69</td><td>68</td><td>67</td><td>66</td><td></td><td></td><td>64</td><td>63</td><td>62</td><td></td><td>60</td><td>59</td><td></td><td></td><td></td><td></td><td>55</td><td>54</td><td>53</td></tr> <tr><td>52</td><td></td><td></td><td>49</td><td>48</td><td></td><td></td><td></td><td></td><td>44</td><td>43</td><td>42</td><td>41</td><td>40</td><td>39</td><td></td><td></td><td></td><td></td><td></td><td>35</td><td>34</td><td>33</td></tr> <tr><td colspan="2">73</td><td></td><td>32</td><td></td><td></td><td></td><td></td><td>29</td><td>28</td><td>27</td><td></td><td>25</td><td>24</td><td>23</td><td></td><td></td><td></td><td></td><td></td><td>19</td><td>18</td><td>17</td></tr> <tr><td colspan="2"></td><td></td><td>16</td><td></td><td></td><td></td><td></td><td>13</td><td>12</td><td>11</td><td></td><td>9</td><td>8</td><td>7</td><td>6</td><td>5</td><td>4</td><td>3</td><td>2</td><td>1</td><td></td><td></td></tr> </table>	72	71	70	69	68	67	66			64	63	62		60	59					55	54	53	52			49	48					44	43	42	41	40	39						35	34	33	73			32					29	28	27		25	24	23						19	18	17				16					13	12	11		9	8	7	6	5	4	3	2	1		
72	71	70	69	68	67	66			64	63	62		60	59					55	54	53																																																																												
52			49	48					44	43	42	41	40	39						35	34	33																																																																											
73			32					29	28	27		25	24	23						19	18	17																																																																											
			16					13	12	11		9	8	7	6	5	4	3	2	1																																																																													
AVAILABLE	NOT APPLICABLE	34566-3853	0	A	BLACK	<table border="1"> <tr><td>72</td><td>71</td><td>70</td><td>69</td><td>68</td><td>67</td><td>66</td><td>65</td><td>64</td><td>63</td><td>62</td><td></td><td>60</td><td>59</td><td></td><td></td><td></td><td></td><td></td><td>55</td><td>54</td><td>53</td></tr> <tr><td>52</td><td></td><td></td><td>49</td><td>48</td><td></td><td></td><td></td><td>45</td><td>44</td><td>43</td><td>42</td><td>41</td><td>40</td><td>39</td><td></td><td></td><td></td><td></td><td></td><td>35</td><td>34</td><td>33</td></tr> <tr><td colspan="2">73</td><td></td><td>32</td><td></td><td></td><td></td><td></td><td>29</td><td>28</td><td>27</td><td></td><td>25</td><td>24</td><td>23</td><td></td><td></td><td></td><td></td><td></td><td>19</td><td>18</td><td>17</td></tr> <tr><td colspan="2"></td><td></td><td>16</td><td></td><td></td><td></td><td></td><td>13</td><td>12</td><td>11</td><td></td><td>9</td><td>8</td><td>7</td><td>6</td><td>5</td><td>4</td><td>3</td><td>2</td><td>1</td><td></td><td></td></tr> </table>	72	71	70	69	68	67	66	65	64	63	62		60	59						55	54	53	52			49	48				45	44	43	42	41	40	39						35	34	33	73			32					29	28	27		25	24	23						19	18	17				16					13	12	11		9	8	7	6	5	4	3	2	1		
72	71	70	69	68	67	66	65	64	63	62		60	59						55	54	53																																																																												
52			49	48				45	44	43	42	41	40	39						35	34	33																																																																											
73			32					29	28	27		25	24	23						19	18	17																																																																											
			16					13	12	11		9	8	7	6	5	4	3	2	1																																																																													
AVAILABLE	NOT APPLICABLE	34566-3863	0	B	ST GRY	<table border="1"> <tr><td>72</td><td>71</td><td>70</td><td></td><td>68</td><td>67</td><td>66</td><td></td><td></td><td></td><td>62</td><td>61</td><td>60</td><td>59</td><td>58</td><td>57</td><td>56</td><td>55</td><td>54</td><td>53</td></tr> <tr><td>52</td><td>51</td><td>50</td><td></td><td>48</td><td>47</td><td>46</td><td></td><td></td><td></td><td>42</td><td>41</td><td>40</td><td>39</td><td>38</td><td>37</td><td>36</td><td>35</td><td>34</td><td>33</td></tr> <tr><td colspan="2">73</td><td></td><td></td><td>32</td><td>31</td><td>30</td><td>29</td><td>28</td><td>27</td><td>26</td><td>25</td><td>24</td><td></td><td></td><td></td><td></td><td></td><td></td><td></td><td>17</td></tr> <tr><td colspan="2"></td><td></td><td></td><td>16</td><td>15</td><td>14</td><td>13</td><td></td><td></td><td>10</td><td></td><td>8</td><td></td><td></td><td></td><td></td><td></td><td></td><td></td><td>2</td><td>1</td></tr> </table>	72	71	70		68	67	66				62	61	60	59	58	57	56	55	54	53	52	51	50		48	47	46				42	41	40	39	38	37	36	35	34	33	73				32	31	30	29	28	27	26	25	24								17					16	15	14	13			10		8								2	1								
72	71	70		68	67	66				62	61	60	59	58	57	56	55	54	53																																																																														
52	51	50		48	47	46				42	41	40	39	38	37	36	35	34	33																																																																														
73				32	31	30	29	28	27	26	25	24								17																																																																													
				16	15	14	13			10		8								2	1																																																																												
AVAILABLE	NOT APPLICABLE	34566-3873	0	B	ST GRY	<table border="1"> <tr><td></td><td></td><td></td><td></td><td></td><td></td><td></td><td></td><td></td><td></td><td>63</td><td></td><td></td><td></td><td>59</td><td>58</td><td>57</td><td>56</td><td>55</td><td></td><td></td><td></td></tr> <tr><td></td><td></td><td>50</td><td>49</td><td>48</td><td></td><td>46</td><td>45</td><td></td><td></td><td>43</td><td></td><td></td><td></td><td>39</td><td>38</td><td>37</td><td>36</td><td>35</td><td>34</td><td></td><td></td></tr> <tr><td colspan="2">73</td><td></td><td></td><td></td><td></td><td></td><td></td><td>29</td><td>27</td><td></td><td></td><td></td><td></td><td>23</td><td>22</td><td>21</td><td></td><td></td><td></td><td>18</td><td></td></tr> <tr><td colspan="2"></td><td></td><td></td><td></td><td></td><td>16</td><td>15</td><td>14</td><td>13</td><td></td><td></td><td></td><td></td><td>7</td><td>6</td><td>5</td><td>4</td><td>3</td><td></td><td></td><td></td></tr> </table>											63				59	58	57	56	55						50	49	48		46	45			43				39	38	37	36	35	34			73								29	27					23	22	21				18								16	15	14	13					7	6	5	4	3						
										63				59	58	57	56	55																																																																															
		50	49	48		46	45			43				39	38	37	36	35	34																																																																														
73								29	27					23	22	21				18																																																																													
						16	15	14	13					7	6	5	4	3																																																																															
AVAILABLE	NOT APPLICABLE	34566-3883	0	B	ST GRY	<table border="1"> <tr><td></td><td></td><td></td><td></td><td></td><td>67</td><td>66</td><td></td><td></td><td></td><td></td><td></td><td></td><td></td><td>59</td><td>58</td><td>57</td><td>56</td><td>55</td><td></td><td></td><td>53</td></tr> <tr><td></td><td></td><td>50</td><td>49</td><td>48</td><td></td><td></td><td>45</td><td></td><td></td><td></td><td></td><td></td><td></td><td>39</td><td>38</td><td>37</td><td>36</td><td>35</td><td>34</td><td>33</td><td></td></tr> <tr><td colspan="2">73</td><td></td><td></td><td></td><td></td><td></td><td></td><td>29</td><td></td><td></td><td></td><td></td><td></td><td>23</td><td>22</td><td>21</td><td></td><td></td><td></td><td>18</td><td></td></tr> <tr><td colspan="2"></td><td></td><td></td><td></td><td></td><td>16</td><td>15</td><td>14</td><td>13</td><td></td><td></td><td></td><td></td><td>8</td><td>7</td><td>6</td><td>5</td><td>4</td><td>3</td><td></td><td></td></tr> </table>						67	66								59	58	57	56	55			53			50	49	48			45							39	38	37	36	35	34	33		73								29						23	22	21				18								16	15	14	13					8	7	6	5	4	3					
					67	66								59	58	57	56	55			53																																																																												
		50	49	48			45							39	38	37	36	35	34	33																																																																													
73								29						23	22	21				18																																																																													
						16	15	14	13					8	7	6	5	4	3																																																																														
AVAILABLE	NOT APPLICABLE	34566-3893	0	C	BLUE	<table border="1"> <tr><td>72</td><td></td><td>70</td><td></td><td>68</td><td>67</td><td>66</td><td></td><td></td><td></td><td>63</td><td>62</td><td></td><td></td><td>59</td><td></td><td>57</td><td></td><td></td><td></td><td></td><td>53</td></tr> <tr><td>52</td><td>51</td><td></td><td></td><td>48</td><td>47</td><td>46</td><td></td><td></td><td>44</td><td></td><td>42</td><td></td><td></td><td></td><td></td><td></td><td></td><td></td><td></td><td></td><td>34</td><td>33</td></tr> <tr><td colspan="2">73</td><td></td><td></td><td>32</td><td></td><td>30</td><td></td><td></td><td></td><td>27</td><td>26</td><td>25</td><td></td><td></td><td></td><td>22</td><td>21</td><td></td><td></td><td></td><td></td><td></td></tr> <tr><td colspan="2"></td><td></td><td></td><td></td><td></td><td>15</td><td>14</td><td></td><td></td><td></td><td>10</td><td>9</td><td></td><td></td><td></td><td>6</td><td>5</td><td>4</td><td></td><td></td><td></td><td></td></tr> </table>	72		70		68	67	66				63	62			59		57					53	52	51			48	47	46			44		42										34	33	73				32		30				27	26	25				22	21												15	14				10	9				6	5	4				
72		70		68	67	66				63	62			59		57					53																																																																												
52	51			48	47	46			44		42										34	33																																																																											
73				32		30				27	26	25				22	21																																																																																
						15	14				10	9				6	5	4																																																																															

<b>QUALITY SYMBOLS</b> 	THIS DRAWING CONTAINS INFORMATION THAT IS PROPRIETARY TO MOLEX ELECTRONIC TECHNOLOGIES, LLC AND SHOULD NOT BE USED WITHOUT WRITTEN PERMISSION									
	EC NO: 115716 DRWN: TYE CHKD: JDENG02 REV APPR: JDENG02	2017/04/12 2017/04/21	<b>GENERAL TOLERANCES (UNLESS SPECIFIED)</b> ANGULAR TOL ± ° 4 PLACES ± 3 PLACES ± 2 PLACES ± 1 PLACE ± 0 PLACES ± DRAFT WHERE APPLICABLE MUST REMAIN WITHIN DIMENSIONS	DIMENSION UNITS: <b>MM</b> SCALE: <b>1:1</b> DRWN BY: SKRAJENDRANA DATE: 2011/02/14 CHKD BY: MVANSLAMBROU DATE: 2011/02/14 APPR BY:						
<b>PRODUCT CUSTOMER DRAWING</b>				SERIES: 34566 MATERIAL NUMBER: SEE BOM TABLE CUSTOMER: GENERAL MARKET						
DOCUMENT NUMBER: SD-34566-001 DOC TYPE: PSD DOC PART: 000 SHEET NUMBER: 45 OF 93										

STATUS	GM PART #	MATERIAL #	WIRE DRESS OPTION	KEY OPTION 	COLOR (TPA) 	NUMBERS INDICATE CAVITIES OPEN FOR CIRCUITS 																																																																																		
AVAILABLE	NOT APPLICABLE	34566-3913	0	A	BLACK	<table border="1"> <tr><td></td><td>71</td><td>70</td><td>69</td><td></td><td></td><td></td><td></td><td>64</td><td>63</td><td></td><td>60</td><td></td><td>58</td><td>57</td><td>56</td><td>55</td><td>54</td><td>53</td></tr> <tr><td>52</td><td>51</td><td></td><td>49</td><td></td><td></td><td></td><td></td><td>45</td><td>44</td><td>43</td><td>42</td><td>41</td><td></td><td></td><td>37</td><td>36</td><td></td><td>34</td></tr> <tr><td></td><td>73</td><td></td><td>32</td><td></td><td>30</td><td></td><td></td><td>28</td><td></td><td>26</td><td></td><td></td><td>23</td><td></td><td>21</td><td></td><td>19</td><td>18</td></tr> <tr><td></td><td></td><td></td><td>16</td><td>15</td><td></td><td></td><td></td><td>12</td><td></td><td>10</td><td></td><td>8</td><td></td><td></td><td>5</td><td></td><td>3</td><td></td></tr> </table>		71	70	69					64	63		60		58	57	56	55	54	53	52	51		49					45	44	43	42	41			37	36		34		73		32		30			28		26			23		21		19	18				16	15				12		10		8			5		3							
	71	70	69					64	63		60		58	57	56	55	54	53																																																																						
52	51		49					45	44	43	42	41			37	36		34																																																																						
	73		32		30			28		26			23		21		19	18																																																																						
			16	15				12		10		8			5		3																																																																							
AVAILABLE	NOT APPLICABLE	34566-3923	0	B	ST GRY	<table border="1"> <tr><td>72</td><td></td><td>70</td><td></td><td>68</td><td></td><td>66</td><td></td><td></td><td></td><td></td><td></td><td></td><td>60</td><td>59</td><td></td><td></td><td></td><td>55</td><td>54</td><td>53</td></tr> <tr><td>52</td><td></td><td>50</td><td></td><td>48</td><td></td><td>46</td><td></td><td></td><td></td><td></td><td></td><td></td><td>40</td><td>39</td><td></td><td></td><td></td><td>35</td><td>34</td><td>33</td></tr> <tr><td></td><td>73</td><td></td><td>32</td><td>31</td><td>30</td><td>29</td><td>28</td><td>27</td><td>26</td><td>25</td><td>24</td><td>23</td><td></td><td></td><td></td><td></td><td>19</td><td>18</td><td></td></tr> <tr><td></td><td></td><td></td><td>16</td><td></td><td></td><td></td><td></td><td></td><td>10</td><td>9</td><td>8</td><td>7</td><td></td><td></td><td></td><td></td><td></td><td></td><td></td></tr> </table>	72		70		68		66							60	59				55	54	53	52		50		48		46							40	39				35	34	33		73		32	31	30	29	28	27	26	25	24	23					19	18					16						10	9	8	7							
72		70		68		66							60	59				55	54	53																																																																				
52		50		48		46							40	39				35	34	33																																																																				
	73		32	31	30	29	28	27	26	25	24	23					19	18																																																																						
			16						10	9	8	7																																																																												
AVAILABLE	NOT APPLICABLE	34566-3933	0	A	BLACK	<table border="1"> <tr><td></td><td>71</td><td>70</td><td>69</td><td></td><td></td><td></td><td></td><td>64</td><td>63</td><td></td><td>60</td><td></td><td>58</td><td>57</td><td>56</td><td>55</td><td>54</td><td>53</td></tr> <tr><td>52</td><td>51</td><td></td><td>49</td><td></td><td></td><td></td><td></td><td>45</td><td>44</td><td>43</td><td>42</td><td>41</td><td></td><td></td><td>37</td><td>36</td><td></td><td>34</td></tr> <tr><td></td><td>73</td><td></td><td>32</td><td></td><td>30</td><td></td><td></td><td>28</td><td></td><td>26</td><td></td><td></td><td></td><td></td><td></td><td></td><td>19</td><td>18</td></tr> <tr><td></td><td></td><td></td><td>16</td><td>15</td><td></td><td></td><td></td><td>12</td><td></td><td>10</td><td></td><td></td><td></td><td></td><td></td><td></td><td>3</td><td></td></tr> </table>		71	70	69					64	63		60		58	57	56	55	54	53	52	51		49					45	44	43	42	41			37	36		34		73		32		30			28		26							19	18				16	15				12		10							3							
	71	70	69					64	63		60		58	57	56	55	54	53																																																																						
52	51		49					45	44	43	42	41			37	36		34																																																																						
	73		32		30			28		26							19	18																																																																						
			16	15				12		10							3																																																																							
AVAILABLE	NOT APPLICABLE	34566-3943	0	C	BLUE	<table border="1"> <tr><td>72</td><td></td><td>70</td><td></td><td>68</td><td></td><td>66</td><td></td><td></td><td></td><td></td><td></td><td></td><td>60</td><td>59</td><td></td><td></td><td></td><td>55</td><td>54</td><td>53</td></tr> <tr><td>52</td><td></td><td>50</td><td></td><td>48</td><td></td><td>46</td><td></td><td></td><td></td><td></td><td></td><td></td><td>40</td><td>39</td><td></td><td></td><td></td><td>35</td><td>34</td><td>33</td></tr> <tr><td></td><td>73</td><td></td><td>32</td><td>31</td><td>30</td><td>29</td><td>28</td><td>27</td><td>26</td><td>25</td><td>24</td><td>23</td><td></td><td></td><td></td><td></td><td>19</td><td>18</td><td></td></tr> <tr><td></td><td></td><td></td><td>16</td><td></td><td></td><td></td><td></td><td></td><td>10</td><td>9</td><td>8</td><td></td><td></td><td></td><td></td><td></td><td></td><td></td><td></td></tr> </table>	72		70		68		66							60	59				55	54	53	52		50		48		46							40	39				35	34	33		73		32	31	30	29	28	27	26	25	24	23					19	18					16						10	9	8								
72		70		68		66							60	59				55	54	53																																																																				
52		50		48		46							40	39				35	34	33																																																																				
	73		32	31	30	29	28	27	26	25	24	23					19	18																																																																						
			16						10	9	8																																																																													
AVAILABLE	NOT APPLICABLE	34566-3953	0	C	BLUE	<table border="1"> <tr><td>72</td><td></td><td>70</td><td></td><td>68</td><td></td><td></td><td></td><td>63</td><td>62</td><td></td><td></td><td></td><td>59</td><td></td><td>57</td><td></td><td></td><td></td><td>53</td></tr> <tr><td>52</td><td>51</td><td></td><td></td><td>48</td><td>47</td><td>46</td><td></td><td>44</td><td>42</td><td></td><td></td><td>40</td><td>39</td><td></td><td></td><td></td><td></td><td>34</td><td>33</td></tr> <tr><td></td><td>73</td><td></td><td>32</td><td></td><td>30</td><td></td><td></td><td></td><td>26</td><td>25</td><td></td><td></td><td>23</td><td>22</td><td>21</td><td>20</td><td></td><td></td><td></td></tr> <tr><td></td><td></td><td></td><td></td><td>15</td><td>14</td><td>13</td><td></td><td></td><td></td><td></td><td></td><td></td><td>7</td><td>6</td><td>5</td><td>4</td><td></td><td></td><td></td></tr> </table>	72		70		68				63	62				59		57				53	52	51			48	47	46		44	42			40	39					34	33		73		32		30				26	25			23	22	21	20								15	14	13							7	6	5	4					
72		70		68				63	62				59		57				53																																																																					
52	51			48	47	46		44	42			40	39					34	33																																																																					
	73		32		30				26	25			23	22	21	20																																																																								
				15	14	13							7	6	5	4																																																																								
AVAILABLE	NOT APPLICABLE	34566-3963	0	C	BLUE	<table border="1"> <tr><td>72</td><td></td><td>70</td><td></td><td>68</td><td>67</td><td>66</td><td></td><td>63</td><td>62</td><td></td><td></td><td></td><td>59</td><td></td><td>57</td><td></td><td></td><td></td><td>53</td></tr> <tr><td>52</td><td>51</td><td></td><td></td><td>48</td><td>47</td><td>46</td><td></td><td>44</td><td>42</td><td></td><td></td><td>40</td><td>39</td><td>38</td><td></td><td></td><td></td><td>34</td><td>33</td></tr> <tr><td></td><td>73</td><td></td><td>32</td><td></td><td>30</td><td></td><td></td><td></td><td>26</td><td>25</td><td></td><td></td><td></td><td>22</td><td>21</td><td></td><td></td><td></td><td></td></tr> <tr><td></td><td></td><td></td><td></td><td>15</td><td>14</td><td></td><td></td><td></td><td>10</td><td>9</td><td></td><td></td><td></td><td>6</td><td>5</td><td>4</td><td></td><td></td><td></td></tr> </table>	72		70		68	67	66		63	62				59		57				53	52	51			48	47	46		44	42			40	39	38				34	33		73		32		30				26	25				22	21									15	14				10	9				6	5	4					
72		70		68	67	66		63	62				59		57				53																																																																					
52	51			48	47	46		44	42			40	39	38				34	33																																																																					
	73		32		30				26	25				22	21																																																																									
				15	14				10	9				6	5	4																																																																								
AVAILABLE	NOT APPLICABLE	34566-3973	0	C	BLUE	<table border="1"> <tr><td>72</td><td></td><td>70</td><td></td><td>68</td><td>67</td><td></td><td></td><td>63</td><td>62</td><td></td><td></td><td></td><td>59</td><td></td><td>57</td><td></td><td></td><td></td><td>53</td></tr> <tr><td>52</td><td>51</td><td></td><td></td><td>48</td><td>47</td><td>46</td><td></td><td>44</td><td>42</td><td></td><td></td><td>40</td><td>39</td><td>38</td><td></td><td></td><td></td><td>34</td><td>33</td></tr> <tr><td></td><td>73</td><td></td><td>32</td><td></td><td>30</td><td></td><td></td><td></td><td>26</td><td>25</td><td></td><td></td><td></td><td>22</td><td>21</td><td></td><td></td><td></td><td></td></tr> <tr><td></td><td></td><td></td><td></td><td>15</td><td>14</td><td></td><td></td><td></td><td></td><td></td><td></td><td></td><td></td><td>6</td><td>5</td><td>4</td><td></td><td></td><td></td></tr> </table>	72		70		68	67			63	62				59		57				53	52	51			48	47	46		44	42			40	39	38				34	33		73		32		30				26	25				22	21									15	14									6	5	4					
72		70		68	67			63	62				59		57				53																																																																					
52	51			48	47	46		44	42			40	39	38				34	33																																																																					
	73		32		30				26	25				22	21																																																																									
				15	14									6	5	4																																																																								
AVAILABLE	NOT APPLICABLE	34566-3983	0	A	BLACK	<table border="1"> <tr><td></td><td>71</td><td>70</td><td>69</td><td></td><td></td><td></td><td></td><td>64</td><td>63</td><td></td><td>60</td><td>59</td><td>58</td><td>57</td><td>56</td><td>55</td><td>54</td><td>53</td></tr> <tr><td>52</td><td>51</td><td></td><td>49</td><td></td><td></td><td></td><td></td><td>45</td><td>44</td><td>43</td><td>42</td><td>41</td><td>40</td><td></td><td></td><td>37</td><td>36</td><td></td><td>34</td></tr> <tr><td></td><td>73</td><td></td><td>32</td><td></td><td>30</td><td></td><td></td><td>28</td><td></td><td>26</td><td></td><td></td><td></td><td></td><td></td><td></td><td>19</td><td>18</td><td></td></tr> <tr><td></td><td></td><td></td><td>16</td><td>15</td><td></td><td></td><td></td><td>12</td><td></td><td>10</td><td></td><td></td><td></td><td></td><td></td><td></td><td>3</td><td></td><td></td></tr> </table>		71	70	69					64	63		60	59	58	57	56	55	54	53	52	51		49					45	44	43	42	41	40			37	36		34		73		32		30			28		26							19	18					16	15				12		10							3					
	71	70	69					64	63		60	59	58	57	56	55	54	53																																																																						
52	51		49					45	44	43	42	41	40			37	36		34																																																																					
	73		32		30			28		26							19	18																																																																						
			16	15				12		10							3																																																																							
AVAILABLE	NOT APPLICABLE	34566-3993	0	A	BLACK	<table border="1"> <tr><td></td><td></td><td>70</td><td>69</td><td></td><td></td><td></td><td></td><td>63</td><td>62</td><td>61</td><td>60</td><td></td><td>58</td><td>57</td><td>56</td><td>55</td><td>54</td><td>53</td></tr> <tr><td>52</td><td>51</td><td></td><td>49</td><td></td><td></td><td></td><td></td><td>44</td><td>43</td><td>42</td><td>41</td><td>40</td><td></td><td></td><td>37</td><td>36</td><td></td><td>34</td></tr> <tr><td></td><td>73</td><td></td><td>32</td><td></td><td></td><td>29</td><td>28</td><td>27</td><td>26</td><td></td><td></td><td></td><td></td><td></td><td></td><td></td><td>19</td><td>18</td><td></td></tr> <tr><td></td><td></td><td></td><td>16</td><td>15</td><td></td><td>13</td><td>12</td><td>11</td><td>10</td><td></td><td></td><td></td><td></td><td></td><td></td><td></td><td>3</td><td></td><td></td></tr> </table>			70	69					63	62	61	60		58	57	56	55	54	53	52	51		49					44	43	42	41	40			37	36		34		73		32			29	28	27	26								19	18					16	15		13	12	11	10								3						
		70	69					63	62	61	60		58	57	56	55	54	53																																																																						
52	51		49					44	43	42	41	40			37	36		34																																																																						
	73		32			29	28	27	26								19	18																																																																						
			16	15		13	12	11	10								3																																																																							

THIS DRAWING CONTAINS INFORMATION THAT IS PROPRIETARY TO MOLEX ELECTRONIC TECHNOLOGIES, LLC AND SHOULD NOT BE USED WITHOUT WRITTEN PERMISSION										
QUALITY SYMBOLS	2017/04/12	2017/04/21	GENERAL TOLERANCES (UNLESS SPECIFIED)				DIMENSION UNITS	SCALE		
= 0	EC NO: 115716 DRWN: TYE CHKD: JDENG02 REV APPR:	JDENG02	ANGULAR TOL ± °				MM	1:1		
= 0			4 PLACES ±				DRWN BY	DATE	PRODUCT CUSTOMER DRAWING	
= 0			3 PLACES ±				SKRAJENDRANA	2011/02/14		
= 0			2 PLACES ±				CHKD BY	DATE	DOCUMENT NUMBER: SD-34566-001 DOC TYPE: PSD DOC PART: 000 SHEET NUMBER: 46 OF 93	
= 0			1 PLACE ±				MVANSLAMBROU	2011/02/14		
= 0			0 PLACES ±				APPR BY	DATE		
= 0	DRAFT WHERE APPLICABLE MUST REMAIN WITHIN DIMENSIONS									



STATUS	GM PART #	MATERIAL #	WIRE DRESS OPTION	KEY OPTION	COLOR (TPA)	NUMBERS INDICATE CAVITIES OPEN FOR CIRCUITS																																																																																
AVAILABLE	NOT APPLICABLE	34566-4013	0	B	ST GRAY	<table border="1"> <tr><td>72</td><td>70</td><td>68</td><td>66</td><td></td><td></td><td></td><td></td><td>60</td><td>59</td><td></td><td></td><td></td><td>55</td><td>54</td><td>53</td></tr> <tr><td>52</td><td>50</td><td>48</td><td>46</td><td></td><td></td><td></td><td></td><td>40</td><td>39</td><td></td><td></td><td></td><td>35</td><td>34</td><td>33</td></tr> <tr><td colspan="2">73</td><td>32</td><td>31</td><td>30</td><td>29</td><td>28</td><td>27</td><td>26</td><td>25</td><td>24</td><td></td><td></td><td></td><td></td><td>17</td></tr> <tr><td colspan="2"></td><td>16</td><td></td><td></td><td></td><td></td><td></td><td>10</td><td>8</td><td></td><td></td><td></td><td></td><td>2</td><td>1</td></tr> </table>	72	70	68	66					60	59				55	54	53	52	50	48	46					40	39				35	34	33	73		32	31	30	29	28	27	26	25	24					17			16						10	8					2	1																
72	70	68	66					60	59				55	54	53																																																																							
52	50	48	46					40	39				35	34	33																																																																							
73		32	31	30	29	28	27	26	25	24					17																																																																							
		16						10	8					2	1																																																																							
AVAILABLE	NOT APPLICABLE	34566-4023	0	B	ST GRAY	<table border="1"> <tr><td>72</td><td>71</td><td>70</td><td>68</td><td>67</td><td>66</td><td></td><td></td><td>62</td><td>61</td><td>60</td><td>59</td><td>58</td><td>57</td><td>56</td><td>55</td><td>54</td><td>53</td></tr> <tr><td>52</td><td>51</td><td>50</td><td>48</td><td>47</td><td>46</td><td></td><td></td><td>42</td><td>41</td><td>40</td><td>39</td><td>38</td><td>37</td><td>36</td><td>35</td><td>34</td><td>33</td></tr> <tr><td colspan="2">73</td><td>32</td><td>31</td><td>30</td><td>29</td><td>28</td><td>27</td><td>26</td><td>25</td><td>24</td><td></td><td></td><td></td><td></td><td></td><td></td><td></td></tr> <tr><td colspan="2"></td><td>16</td><td>15</td><td>14</td><td>13</td><td></td><td></td><td>10</td><td>9</td><td>8</td><td></td><td></td><td></td><td></td><td></td><td></td><td></td></tr> </table>	72	71	70	68	67	66			62	61	60	59	58	57	56	55	54	53	52	51	50	48	47	46			42	41	40	39	38	37	36	35	34	33	73		32	31	30	29	28	27	26	25	24										16	15	14	13			10	9	8															
72	71	70	68	67	66			62	61	60	59	58	57	56	55	54	53																																																																					
52	51	50	48	47	46			42	41	40	39	38	37	36	35	34	33																																																																					
73		32	31	30	29	28	27	26	25	24																																																																												
		16	15	14	13			10	9	8																																																																												
AVAILABLE	NOT APPLICABLE	34566-4033	0	C	BLUE	<table border="1"> <tr><td>72</td><td>70</td><td>68</td><td></td><td></td><td></td><td></td><td>63</td><td>62</td><td></td><td></td><td>59</td><td>58</td><td>57</td><td></td><td></td><td></td><td>53</td></tr> <tr><td>52</td><td>51</td><td>48</td><td>47</td><td></td><td></td><td>44</td><td>42</td><td>40</td><td>39</td><td>38</td><td></td><td></td><td></td><td></td><td></td><td>34</td><td>33</td></tr> <tr><td colspan="2">73</td><td>32</td><td>30</td><td></td><td></td><td></td><td>26</td><td>25</td><td></td><td></td><td>22</td><td>21</td><td>20</td><td></td><td></td><td></td><td>17</td></tr> <tr><td colspan="2"></td><td></td><td>15</td><td>14</td><td>13</td><td></td><td></td><td></td><td></td><td></td><td>6</td><td>5</td><td>4</td><td></td><td></td><td></td><td>1</td></tr> </table>	72	70	68					63	62			59	58	57				53	52	51	48	47			44	42	40	39	38						34	33	73		32	30				26	25			22	21	20				17				15	14	13						6	5	4				1								
72	70	68					63	62			59	58	57				53																																																																					
52	51	48	47			44	42	40	39	38						34	33																																																																					
73		32	30				26	25			22	21	20				17																																																																					
			15	14	13						6	5	4				1																																																																					
AVAILABLE	NOT APPLICABLE	34566-4043	0	A	BLACK	<table border="1"> <tr><td></td><td>71</td><td>70</td><td>69</td><td></td><td>67</td><td></td><td></td><td>64</td><td>63</td><td></td><td></td><td>60</td><td></td><td></td><td>57</td><td>56</td><td>55</td><td>54</td><td>53</td></tr> <tr><td>52</td><td>51</td><td></td><td>49</td><td></td><td></td><td></td><td>45</td><td>44</td><td>43</td><td>42</td><td>41</td><td></td><td></td><td>37</td><td>36</td><td></td><td></td><td>34</td><td></td></tr> <tr><td colspan="2">73</td><td></td><td>32</td><td></td><td>30</td><td></td><td></td><td>28</td><td>26</td><td></td><td></td><td>23</td><td></td><td></td><td></td><td></td><td>19</td><td>18</td><td></td></tr> <tr><td colspan="2"></td><td></td><td>16</td><td>15</td><td></td><td></td><td>12</td><td>10</td><td></td><td></td><td></td><td></td><td></td><td></td><td></td><td></td><td>3</td><td></td><td></td></tr> </table>		71	70	69		67			64	63			60			57	56	55	54	53	52	51		49				45	44	43	42	41			37	36			34		73			32		30			28	26			23					19	18					16	15			12	10									3		
	71	70	69		67			64	63			60			57	56	55	54	53																																																																			
52	51		49				45	44	43	42	41			37	36			34																																																																				
73			32		30			28	26			23					19	18																																																																				
			16	15			12	10									3																																																																					
AVAILABLE	NOT APPLICABLE	34566-4053	0	A	BLACK	<table border="1"> <tr><td>72</td><td></td><td></td><td>69</td><td>67</td><td>66</td><td>65</td><td></td><td>63</td><td></td><td></td><td>60</td><td></td><td></td><td>57</td><td>56</td><td></td><td></td><td></td><td>53</td></tr> <tr><td></td><td></td><td></td><td>49</td><td>47</td><td>46</td><td></td><td></td><td>44</td><td>43</td><td>42</td><td></td><td>40</td><td></td><td></td><td>37</td><td>36</td><td>35</td><td></td><td>33</td></tr> <tr><td colspan="2">73</td><td></td><td></td><td>31</td><td>30</td><td>29</td><td>28</td><td>27</td><td>26</td><td></td><td>24</td><td></td><td></td><td>21</td><td>20</td><td></td><td></td><td></td><td>17</td></tr> <tr><td colspan="2"></td><td></td><td></td><td>16</td><td>15</td><td>14</td><td>13</td><td></td><td>11</td><td>10</td><td></td><td></td><td></td><td>5</td><td>4</td><td>3</td><td>2</td><td></td><td>1</td></tr> </table>	72			69	67	66	65		63			60			57	56				53				49	47	46			44	43	42		40			37	36	35		33	73				31	30	29	28	27	26		24			21	20				17					16	15	14	13		11	10				5	4	3	2		1
72			69	67	66	65		63			60			57	56				53																																																																			
			49	47	46			44	43	42		40			37	36	35		33																																																																			
73				31	30	29	28	27	26		24			21	20				17																																																																			
				16	15	14	13		11	10				5	4	3	2		1																																																																			
AVAILABLE	NOT APPLICABLE	34566-4063	0	B	ST GRAY	<table border="1"> <tr><td></td><td></td><td></td><td>68</td><td>67</td><td></td><td></td><td>64</td><td></td><td></td><td></td><td>59</td><td>58</td><td></td><td></td><td></td><td></td><td>54</td><td></td></tr> <tr><td></td><td></td><td></td><td></td><td>46</td><td>45</td><td></td><td></td><td></td><td></td><td></td><td>39</td><td>38</td><td></td><td></td><td></td><td></td><td></td><td></td><td></td></tr> <tr><td colspan="2">73</td><td></td><td>32</td><td></td><td>30</td><td>29</td><td>28</td><td>27</td><td></td><td></td><td>23</td><td>22</td><td></td><td></td><td></td><td></td><td></td><td></td><td>17</td></tr> <tr><td colspan="2"></td><td></td><td></td><td>15</td><td></td><td>13</td><td></td><td></td><td>10</td><td>8</td><td></td><td></td><td></td><td></td><td></td><td></td><td></td><td></td><td>1</td></tr> </table>				68	67			64				59	58					54						46	45						39	38								73			32		30	29	28	27			23	22							17					15		13			10	8									1	
			68	67			64				59	58					54																																																																					
				46	45						39	38																																																																										
73			32		30	29	28	27			23	22							17																																																																			
				15		13			10	8									1																																																																			
AVAILABLE	NOT APPLICABLE	34566-4073	0	A	BLACK	<table border="1"> <tr><td>72</td><td>70</td><td></td><td></td><td>66</td><td></td><td></td><td>63</td><td>62</td><td></td><td></td><td>59</td><td></td><td>57</td><td>56</td><td>55</td><td></td><td>53</td></tr> <tr><td>52</td><td>51</td><td></td><td></td><td>46</td><td></td><td>44</td><td>42</td><td></td><td>40</td><td>39</td><td></td><td>37</td><td>36</td><td></td><td>34</td><td>33</td><td></td></tr> <tr><td colspan="2">73</td><td></td><td>32</td><td></td><td>30</td><td></td><td></td><td>26</td><td>25</td><td></td><td></td><td>22</td><td>21</td><td></td><td>19</td><td>18</td><td></td></tr> <tr><td colspan="2"></td><td></td><td></td><td>15</td><td>14</td><td></td><td></td><td>10</td><td>9</td><td></td><td></td><td>6</td><td></td><td></td><td>3</td><td></td><td></td><td></td></tr> </table>	72	70			66			63	62			59		57	56	55		53	52	51			46		44	42		40	39		37	36		34	33		73			32		30			26	25			22	21		19	18						15	14			10	9			6			3										
72	70			66			63	62			59		57	56	55		53																																																																					
52	51			46		44	42		40	39		37	36		34	33																																																																						
73			32		30			26	25			22	21		19	18																																																																						
				15	14			10	9			6			3																																																																							

<b>QUALITY SYMBOLS</b> = 0 = 0 = 0 = 0 = 0 = 0 = 0 = 0 = 0	THIS DRAWING CONTAINS INFORMATION THAT IS PROPRIETARY TO MOLEX ELECTRONIC TECHNOLOGIES, LLC AND SHOULD NOT BE USED WITHOUT WRITTEN PERMISSION									
	2017/04/12	2017/04/21	GENERAL TOLERANCES (UNLESS SPECIFIED)		DIMENSION UNITS	SCALE				
	MM	1:1								
	DRWN BY	DATE	ANGULAR TOL ± °		DRWN BY	DATE	<b>MX123</b> <b>66/73/80CKT HRNS CONN ASSY</b>			
	SKRAJENDRANA	2011/02/14	4 PLACES ±		SKRAJENDRANA	2011/02/14				
	CHKD BY	DATE	3 PLACES ±		CHKD BY	DATE	<b>PRODUCT CUSTOMER DRAWING</b>			
	MVANSLAMBROU	2011/02/14	2 PLACES ±		MVANSLAMBROU	2011/02/14				
	APPR BY	DATE	1 PLACE ±		APPR BY	DATE	<b>GENERAL MARKET</b>			
			0 PLACES ±							
	EC NO: 115716	DRWN: TYE	CHKD: JDENG02	REV: APPR: JDENG02	DRAFT WHERE APPLICABLE MUST REMAIN WITHIN DIMENSIONS	DRAWING SIZE	THIRD ANGLE PROJECTION	SERIES: 34566    MATERIAL NUMBER: SEE BOM TABLE    CUSTOMER: GENERAL MARKET		
G50				D			DOCUMENT NUMBER: SD-34566-001    DOC TYPE: PSD    DOC PART: 000    SHEET NUMBER: 47 OF 93			



STATUS	GM PART #	MATERIAL #	WIRE DRESS OPTION	KEY OPTION 	COLOR (TPA) 	NUMBERS INDICATE CAVITIES OPEN FOR CIRCUITS 																																																																																	
AVAILABLE	NOT APPLICABLE	34566-4183	0	C	BLUE	<table border="1"> <tr><td>72</td><td></td><td>70</td><td></td><td>68</td><td></td><td>66</td><td></td><td></td><td>63</td><td>62</td><td></td><td></td><td>59</td><td>58</td><td>57</td><td></td><td></td><td></td><td>53</td></tr> <tr><td>52</td><td>51</td><td></td><td></td><td>48</td><td>47</td><td>46</td><td></td><td>44</td><td></td><td>42</td><td></td><td>40</td><td>39</td><td></td><td></td><td></td><td></td><td></td><td>34</td><td>33</td></tr> <tr><td colspan="2">73</td><td></td><td></td><td>32</td><td></td><td>30</td><td></td><td></td><td></td><td>26</td><td>25</td><td></td><td>23</td><td>22</td><td>21</td><td>20</td><td></td><td></td><td>17</td></tr> <tr><td colspan="2"></td><td></td><td></td><td>15</td><td>14</td><td>13</td><td></td><td></td><td></td><td>10</td><td>9</td><td></td><td>7</td><td>6</td><td>5</td><td>4</td><td></td><td></td><td>1</td></tr> </table>	72		70		68		66			63	62			59	58	57				53	52	51			48	47	46		44		42		40	39						34	33	73				32		30				26	25		23	22	21	20			17					15	14	13				10	9		7	6	5	4			1
72		70		68		66			63	62			59	58	57				53																																																																				
52	51			48	47	46		44		42		40	39						34	33																																																																			
73				32		30				26	25		23	22	21	20			17																																																																				
				15	14	13				10	9		7	6	5	4			1																																																																				
AVAILABLE	NOT APPLICABLE	34566-4193	0	C	BLUE	<table border="1"> <tr><td></td><td>71</td><td></td><td>69</td><td></td><td></td><td></td><td>65</td><td>64</td><td></td><td></td><td>61</td><td>60</td><td></td><td>58</td><td></td><td>56</td><td>55</td><td>54</td><td></td></tr> <tr><td></td><td></td><td>50</td><td>49</td><td></td><td></td><td></td><td>45</td><td>43</td><td></td><td>41</td><td></td><td></td><td>38</td><td>37</td><td>36</td><td>35</td><td></td><td></td><td></td></tr> <tr><td colspan="2">73</td><td></td><td></td><td></td><td>31</td><td></td><td>29</td><td>28</td><td></td><td></td><td>24</td><td>23</td><td></td><td></td><td>20</td><td>19</td><td>18</td><td>17</td><td></td></tr> <tr><td colspan="2"></td><td></td><td></td><td>16</td><td></td><td></td><td>13</td><td>12</td><td>11</td><td></td><td>8</td><td>7</td><td></td><td></td><td>3</td><td>2</td><td>1</td><td></td><td></td></tr> </table>		71		69				65	64			61	60		58		56	55	54				50	49				45	43		41			38	37	36	35				73					31		29	28			24	23			20	19	18	17						16			13	12	11		8	7			3	2	1			
	71		69				65	64			61	60		58		56	55	54																																																																					
		50	49				45	43		41			38	37	36	35																																																																							
73					31		29	28			24	23			20	19	18	17																																																																					
				16			13	12	11		8	7			3	2	1																																																																						
AVAILABLE	NOT APPLICABLE	34566-4213	0	A	BLACK	<table border="1"> <tr><td>72</td><td>71</td><td></td><td></td><td>68</td><td>67</td><td>66</td><td>65</td><td>64</td><td></td><td></td><td></td><td>60</td><td>59</td><td>58</td><td></td><td></td><td></td><td></td><td></td></tr> <tr><td></td><td></td><td>50</td><td></td><td>48</td><td>47</td><td>46</td><td>45</td><td></td><td></td><td></td><td></td><td>40</td><td>39</td><td>38</td><td></td><td></td><td></td><td>35</td><td></td></tr> <tr><td colspan="2">73</td><td></td><td></td><td></td><td>31</td><td>30</td><td></td><td></td><td></td><td></td><td>25</td><td>24</td><td></td><td>22</td><td>21</td><td>20</td><td></td><td></td><td>17</td></tr> <tr><td colspan="2"></td><td></td><td></td><td></td><td></td><td>14</td><td></td><td></td><td></td><td></td><td>9</td><td>7</td><td>6</td><td>5</td><td>4</td><td></td><td></td><td>2</td><td>1</td></tr> </table>	72	71			68	67	66	65	64				60	59	58								50		48	47	46	45					40	39	38				35		73					31	30					25	24		22	21	20			17							14					9	7	6	5	4			2	1	
72	71			68	67	66	65	64				60	59	58																																																																									
		50		48	47	46	45					40	39	38				35																																																																					
73					31	30					25	24		22	21	20			17																																																																				
						14					9	7	6	5	4			2	1																																																																				
AVAILABLE	NOT APPLICABLE	34566-4223	0	A	BLACK	<table border="1"> <tr><td>72</td><td>71</td><td></td><td></td><td>68</td><td>67</td><td>66</td><td>65</td><td>64</td><td></td><td></td><td></td><td>60</td><td>59</td><td></td><td></td><td></td><td></td><td></td><td></td></tr> <tr><td></td><td></td><td>50</td><td></td><td>48</td><td>47</td><td>46</td><td>45</td><td></td><td></td><td></td><td></td><td>40</td><td>39</td><td>38</td><td></td><td></td><td></td><td>35</td><td>33</td></tr> <tr><td colspan="2">73</td><td></td><td></td><td></td><td>31</td><td>30</td><td></td><td></td><td></td><td></td><td>25</td><td>24</td><td>23</td><td>22</td><td>21</td><td>20</td><td></td><td></td><td>17</td></tr> <tr><td colspan="2"></td><td></td><td></td><td></td><td></td><td>14</td><td></td><td></td><td></td><td></td><td>9</td><td>8</td><td>7</td><td>6</td><td>5</td><td>4</td><td></td><td></td><td>2</td><td>1</td></tr> </table>	72	71			68	67	66	65	64				60	59									50		48	47	46	45					40	39	38				35	33	73					31	30					25	24	23	22	21	20			17							14					9	8	7	6	5	4			2	1
72	71			68	67	66	65	64				60	59																																																																										
		50		48	47	46	45					40	39	38				35	33																																																																				
73					31	30					25	24	23	22	21	20			17																																																																				
						14					9	8	7	6	5	4			2	1																																																																			
AVAILABLE	NOT APPLICABLE	34566-4233	0	B	ST GRY	<table border="1"> <tr><td></td><td></td><td></td><td>69</td><td></td><td></td><td></td><td>65</td><td>64</td><td>63</td><td></td><td></td><td></td><td></td><td></td><td></td><td></td><td></td><td></td><td></td></tr> <tr><td></td><td></td><td></td><td>49</td><td></td><td></td><td></td><td>45</td><td>44</td><td>43</td><td></td><td></td><td></td><td></td><td></td><td></td><td></td><td></td><td></td><td></td></tr> <tr><td colspan="2">73</td><td></td><td></td><td></td><td></td><td></td><td></td><td></td><td></td><td></td><td></td><td></td><td>23</td><td>22</td><td>21</td><td>20</td><td>19</td><td>18</td><td></td></tr> <tr><td colspan="2"></td><td></td><td></td><td></td><td></td><td></td><td></td><td>12</td><td>11</td><td></td><td>9</td><td>7</td><td>6</td><td>5</td><td>4</td><td>3</td><td></td><td></td><td></td></tr> </table>				69				65	64	63														49				45	44	43											73													23	22	21	20	19	18										12	11		9	7	6	5	4	3				
			69				65	64	63																																																																														
			49				45	44	43																																																																														
73													23	22	21	20	19	18																																																																					
								12	11		9	7	6	5	4	3																																																																							
AVAILABLE	NOT APPLICABLE	34566-4243	0	A	BLACK	<table border="1"> <tr><td></td><td>51</td><td>50</td><td></td><td></td><td></td><td></td><td></td><td></td><td></td><td></td><td>61</td><td></td><td></td><td>58</td><td>57</td><td>56</td><td></td><td></td><td></td></tr> <tr><td colspan="2">73</td><td></td><td></td><td></td><td></td><td>47</td><td>46</td><td></td><td></td><td></td><td></td><td></td><td></td><td>38</td><td>37</td><td>36</td><td></td><td></td><td></td></tr> <tr><td colspan="2"></td><td></td><td></td><td></td><td></td><td>31</td><td>30</td><td></td><td></td><td></td><td>26</td><td></td><td></td><td>22</td><td>21</td><td>20</td><td></td><td></td><td></td></tr> <tr><td colspan="2"></td><td></td><td></td><td></td><td></td><td>15</td><td>14</td><td></td><td></td><td>10</td><td></td><td></td><td></td><td></td><td></td><td></td><td></td><td></td><td></td></tr> </table>		51	50									61			58	57	56				73						47	46							38	37	36										31	30				26			22	21	20										15	14			10										
	51	50									61			58	57	56																																																																							
73						47	46							38	37	36																																																																							
						31	30				26			22	21	20																																																																							
						15	14			10																																																																													
AVAILABLE	NOT APPLICABLE	34566-4253	0	A	BLACK	<table border="1"> <tr><td></td><td>51</td><td>50</td><td></td><td></td><td></td><td></td><td></td><td></td><td></td><td></td><td>61</td><td></td><td></td><td>58</td><td>57</td><td>56</td><td></td><td></td><td></td></tr> <tr><td colspan="2">73</td><td></td><td></td><td></td><td></td><td>47</td><td>46</td><td>45</td><td></td><td></td><td></td><td></td><td></td><td>38</td><td>37</td><td>36</td><td></td><td></td><td></td></tr> <tr><td colspan="2"></td><td></td><td></td><td></td><td></td><td>31</td><td>30</td><td></td><td></td><td></td><td>26</td><td></td><td></td><td>22</td><td>21</td><td>20</td><td></td><td></td><td></td></tr> <tr><td colspan="2"></td><td></td><td></td><td></td><td></td><td>15</td><td>14</td><td></td><td></td><td>10</td><td></td><td></td><td></td><td></td><td></td><td></td><td></td><td></td><td></td></tr> </table>		51	50									61			58	57	56				73						47	46	45						38	37	36										31	30				26			22	21	20										15	14			10										
	51	50									61			58	57	56																																																																							
73						47	46	45						38	37	36																																																																							
						31	30				26			22	21	20																																																																							
						15	14			10																																																																													
AVAILABLE	NOT APPLICABLE	34566-4263	0	B	ST GRY	<table border="1"> <tr><td>72</td><td>71</td><td>70</td><td>69</td><td>68</td><td></td><td></td><td></td><td>65</td><td>64</td><td></td><td>62</td><td>61</td><td>60</td><td></td><td></td><td></td><td></td><td></td><td>54</td></tr> <tr><td>52</td><td>51</td><td></td><td></td><td></td><td></td><td></td><td>47</td><td>46</td><td></td><td>44</td><td>42</td><td>41</td><td>40</td><td></td><td></td><td></td><td></td><td></td><td></td></tr> <tr><td colspan="2">73</td><td></td><td></td><td></td><td></td><td>32</td><td>31</td><td>30</td><td></td><td>28</td><td>26</td><td>25</td><td>24</td><td></td><td></td><td>20</td><td>19</td><td></td><td>17</td></tr> <tr><td colspan="2"></td><td></td><td></td><td></td><td></td><td></td><td></td><td></td><td>12</td><td>11</td><td>10</td><td>9</td><td></td><td></td><td></td><td></td><td></td><td>2</td><td>1</td></tr> </table>	72	71	70	69	68				65	64		62	61	60						54	52	51						47	46		44	42	41	40							73						32	31	30		28	26	25	24			20	19		17										12	11	10	9						2	1	
72	71	70	69	68				65	64		62	61	60						54																																																																				
52	51						47	46		44	42	41	40																																																																										
73						32	31	30		28	26	25	24			20	19		17																																																																				
									12	11	10	9						2	1																																																																				
AVAILABLE	NOT APPLICABLE	34566-4273	0	B	ST GRY	<table border="1"> <tr><td>72</td><td>71</td><td>70</td><td>69</td><td>68</td><td>67</td><td>66</td><td>65</td><td>64</td><td></td><td>62</td><td>61</td><td>60</td><td></td><td></td><td></td><td></td><td></td><td></td><td>54</td></tr> <tr><td>52</td><td>51</td><td></td><td></td><td></td><td></td><td></td><td>47</td><td>46</td><td></td><td>44</td><td>42</td><td>41</td><td>40</td><td></td><td></td><td></td><td></td><td></td><td></td></tr> <tr><td colspan="2">73</td><td></td><td></td><td></td><td></td><td>32</td><td>31</td><td>30</td><td></td><td>28</td><td>26</td><td>25</td><td>24</td><td></td><td></td><td>20</td><td>19</td><td></td><td>17</td></tr> <tr><td colspan="2"></td><td></td><td></td><td></td><td></td><td></td><td></td><td></td><td>13</td><td>12</td><td>11</td><td>10</td><td>9</td><td>8</td><td></td><td></td><td></td><td>2</td><td>1</td></tr> </table>	72	71	70	69	68	67	66	65	64		62	61	60							54	52	51						47	46		44	42	41	40							73						32	31	30		28	26	25	24			20	19		17										13	12	11	10	9	8				2	1	
72	71	70	69	68	67	66	65	64		62	61	60							54																																																																				
52	51						47	46		44	42	41	40																																																																										
73						32	31	30		28	26	25	24			20	19		17																																																																				
									13	12	11	10	9	8				2	1																																																																				


QUALITY SYMBOLS	THIS DRAWING CONTAINS INFORMATION THAT IS PROPRIETARY TO MOLEX ELECTRONIC TECHNOLOGIES, LLC AND SHOULD NOT BE USED WITHOUT WRITTEN PERMISSION									
	2017/04/12	2017/04/21	GENERAL TOLERANCES (UNLESS SPECIFIED)		DIMENSION UNITS	SCALE				
			ANGULAR TOL ± °		MM	1:1				
	4 PLACES ±		DRWN BY	DATE	SKRAJENDRANA 2011/02/14					
	3 PLACES ±		CHKD BY	DATE	MVANSLAMBROU 2011/02/14					
	2 PLACES ±		APPR BY		DATE		PRODUCT CUSTOMER DRAWING			
	1 PLACE ±		SERIES		MATERIAL NUMBER		CUSTOMER			
	0 PLACES ±		34566		SEE BOM TABLE		GENERAL MARKET			
	DRAFT WHERE APPLICABLE MUST REMAIN WITHIN DIMENSIONS		DRAWING SIZE		THIRD ANGLE PROJECTION		DOCUMENT NUMBER			
	G50		D		PSD		000		49 OF 93	



STATUS	GM PART #	MATERIAL #	WIRE DRESS OPTION	KEY OPTION	COLOR (TPA)	NUMBERS INDICATE CAVITIES OPEN FOR CIRCUITS																																																																																	
AVAILABLE	NOT APPLICABLE	34566-4383	0	H	ST GRY	<table border="1"> <tr><td></td><td>79</td><td></td><td></td><td></td><td>74</td><td>73</td><td>72</td><td>71</td><td></td><td>69</td><td>68</td><td>67</td><td></td><td></td><td>64</td><td>62</td><td>61</td></tr> <tr><td></td><td>59</td><td></td><td></td><td></td><td>54</td><td></td><td>52</td><td></td><td></td><td>49</td><td>48</td><td>47</td><td></td><td></td><td></td><td>42</td><td>41</td></tr> <tr><td></td><td></td><td>38</td><td></td><td></td><td></td><td>33</td><td></td><td></td><td></td><td>29</td><td></td><td>27</td><td></td><td>25</td><td></td><td></td><td></td></tr> <tr><td></td><td></td><td>18</td><td></td><td></td><td>15</td><td>14</td><td></td><td></td><td>11</td><td>10</td><td>9</td><td>8</td><td>7</td><td></td><td></td><td></td><td></td></tr> </table>		79				74	73	72	71		69	68	67			64	62	61		59				54		52			49	48	47				42	41			38				33				29		27		25						18			15	14			11	10	9	8	7													
	79				74	73	72	71		69	68	67			64	62	61																																																																						
	59				54		52			49	48	47				42	41																																																																						
		38				33				29		27		25																																																																									
		18			15	14			11	10	9	8	7																																																																										
AVAILABLE	NOT APPLICABLE	34566-4393	0	G	BLUE	<table border="1"> <tr><td></td><td>78</td><td>77</td><td></td><td>75</td><td>74</td><td></td><td>72</td><td></td><td>70</td><td>69</td><td></td><td>67</td><td></td><td>65</td><td>64</td><td>63</td><td>62</td></tr> <tr><td>60</td><td>58</td><td>57</td><td></td><td>55</td><td>54</td><td></td><td>52</td><td>51</td><td>50</td><td>49</td><td></td><td>47</td><td></td><td>45</td><td></td><td></td><td></td></tr> <tr><td>40</td><td>38</td><td>37</td><td></td><td></td><td></td><td></td><td>33</td><td>32</td><td>31</td><td></td><td></td><td>27</td><td>26</td><td>25</td><td>24</td><td></td><td></td></tr> <tr><td>20</td><td>18</td><td>17</td><td></td><td></td><td></td><td></td><td></td><td></td><td>10</td><td>9</td><td>8</td><td></td><td>6</td><td>5</td><td></td><td>3</td><td>2</td><td>1</td></tr> </table>		78	77		75	74		72		70	69		67		65	64	63	62	60	58	57		55	54		52	51	50	49		47		45				40	38	37					33	32	31			27	26	25	24			20	18	17							10	9	8		6	5		3	2	1								
	78	77		75	74		72		70	69		67		65	64	63	62																																																																						
60	58	57		55	54		52	51	50	49		47		45																																																																									
40	38	37					33	32	31			27	26	25	24																																																																								
20	18	17							10	9	8		6	5		3	2	1																																																																					
AVAILABLE	NOT APPLICABLE	34566-4413	0	B	ST GRY	<table border="1"> <tr><td></td><td></td><td></td><td></td><td></td><td></td><td></td><td></td><td></td><td>63</td><td></td><td></td><td></td><td>59</td><td>58</td><td>57</td><td>56</td><td>55</td><td>53</td></tr> <tr><td></td><td></td><td>50</td><td>49</td><td>48</td><td></td><td>46</td><td></td><td></td><td>43</td><td></td><td></td><td></td><td>39</td><td>38</td><td>37</td><td>36</td><td>35</td><td>34</td><td>33</td></tr> <tr><td></td><td></td><td>73</td><td></td><td></td><td></td><td></td><td>29</td><td>27</td><td></td><td></td><td></td><td></td><td>23</td><td>22</td><td>21</td><td></td><td></td><td>18</td></tr> <tr><td></td><td></td><td></td><td></td><td>16</td><td>15</td><td>14</td><td></td><td></td><td></td><td></td><td></td><td></td><td>7</td><td>6</td><td>5</td><td>4</td><td>3</td><td></td></tr> </table>										63				59	58	57	56	55	53			50	49	48		46			43				39	38	37	36	35	34	33			73					29	27					23	22	21			18					16	15	14							7	6	5	4	3					
									63				59	58	57	56	55	53																																																																					
		50	49	48		46			43				39	38	37	36	35	34	33																																																																				
		73					29	27					23	22	21			18																																																																					
				16	15	14							7	6	5	4	3																																																																						
AVAILABLE	NOT APPLICABLE	34566-4423	9	C	BLUE	<table border="1"> <tr><td>72</td><td></td><td>70</td><td></td><td>68</td><td>67</td><td>66</td><td></td><td></td><td>63</td><td>62</td><td></td><td></td><td>59</td><td></td><td>57</td><td></td><td></td><td>53</td></tr> <tr><td>52</td><td>51</td><td></td><td></td><td>48</td><td>47</td><td>46</td><td></td><td>44</td><td></td><td>42</td><td></td><td>40</td><td>39</td><td>38</td><td>37</td><td>36</td><td></td><td>34</td><td>33</td></tr> <tr><td></td><td></td><td>73</td><td></td><td></td><td>32</td><td></td><td>30</td><td></td><td>27</td><td>26</td><td>25</td><td>24</td><td></td><td>22</td><td>21</td><td></td><td></td><td></td><td></td></tr> <tr><td></td><td></td><td></td><td></td><td></td><td></td><td>15</td><td>14</td><td></td><td></td><td>10</td><td>9</td><td>8</td><td></td><td>6</td><td>5</td><td>4</td><td></td><td>2</td><td></td></tr> </table>	72		70		68	67	66			63	62			59		57			53	52	51			48	47	46		44		42		40	39	38	37	36		34	33			73			32		30		27	26	25	24		22	21											15	14			10	9	8		6	5	4		2			
72		70		68	67	66			63	62			59		57			53																																																																					
52	51			48	47	46		44		42		40	39	38	37	36		34	33																																																																				
		73			32		30		27	26	25	24		22	21																																																																								
						15	14			10	9	8		6	5	4		2																																																																					
AVAILABLE	NOT APPLICABLE	34566-4433	9	A	BLACK	<table border="1"> <tr><td></td><td></td><td>70</td><td>69</td><td></td><td></td><td></td><td></td><td></td><td>63</td><td>62</td><td>61</td><td>60</td><td></td><td>58</td><td>57</td><td>56</td><td>55</td><td>54</td><td>53</td></tr> <tr><td>52</td><td>51</td><td>50</td><td>49</td><td></td><td></td><td></td><td></td><td>44</td><td>43</td><td>42</td><td>41</td><td>40</td><td></td><td></td><td>37</td><td>36</td><td></td><td>34</td><td></td></tr> <tr><td></td><td></td><td>73</td><td></td><td></td><td>32</td><td></td><td></td><td>29</td><td>28</td><td>27</td><td>26</td><td></td><td></td><td></td><td></td><td></td><td></td><td>19</td><td>18</td></tr> <tr><td></td><td></td><td></td><td></td><td></td><td></td><td>16</td><td>15</td><td>14</td><td>13</td><td>12</td><td>11</td><td>10</td><td></td><td></td><td></td><td></td><td></td><td>3</td><td></td></tr> </table>			70	69						63	62	61	60		58	57	56	55	54	53	52	51	50	49					44	43	42	41	40			37	36		34				73			32			29	28	27	26							19	18							16	15	14	13	12	11	10						3		
		70	69						63	62	61	60		58	57	56	55	54	53																																																																				
52	51	50	49					44	43	42	41	40			37	36		34																																																																					
		73			32			29	28	27	26							19	18																																																																				
						16	15	14	13	12	11	10						3																																																																					
AVAILABLE	NOT APPLICABLE	34566-4443	9	A	BLACK	<table border="1"> <tr><td></td><td></td><td></td><td></td><td></td><td>67</td><td>66</td><td></td><td></td><td></td><td></td><td></td><td></td><td></td><td></td><td></td><td></td><td></td><td></td><td></td></tr> <tr><td></td><td></td><td></td><td></td><td></td><td>48</td><td>47</td><td></td><td></td><td></td><td></td><td>41</td><td></td><td></td><td></td><td></td><td></td><td></td><td></td><td></td></tr> <tr><td></td><td></td><td>73</td><td></td><td></td><td>32</td><td>31</td><td>30</td><td>29</td><td></td><td>27</td><td>26</td><td>25</td><td></td><td>22</td><td>21</td><td></td><td>19</td><td>18</td><td>17</td></tr> <tr><td></td><td></td><td></td><td></td><td></td><td></td><td>16</td><td>15</td><td>14</td><td>13</td><td></td><td>11</td><td>10</td><td>9</td><td>8</td><td>7</td><td>6</td><td>5</td><td>4</td><td>3</td><td>1</td></tr> </table>						67	66																			48	47					41											73			32	31	30	29		27	26	25		22	21		19	18	17							16	15	14	13		11	10	9	8	7	6	5	4	3	1
					67	66																																																																																	
					48	47					41																																																																												
		73			32	31	30	29		27	26	25		22	21		19	18	17																																																																				
						16	15	14	13		11	10	9	8	7	6	5	4	3	1																																																																			
AVAILABLE	NOT APPLICABLE	34566-4453	0	A	BLACK	<table border="1"> <tr><td>72</td><td>71</td><td>70</td><td>69</td><td>68</td><td></td><td></td><td>65</td><td>64</td><td>63</td><td>62</td><td>61</td><td>60</td><td>59</td><td>58</td><td>57</td><td>56</td><td>55</td><td>54</td><td>53</td></tr> <tr><td>52</td><td>51</td><td>50</td><td>49</td><td>48</td><td></td><td>46</td><td>45</td><td>44</td><td>43</td><td>42</td><td></td><td>40</td><td>39</td><td>38</td><td>37</td><td>36</td><td>35</td><td>34</td><td>33</td></tr> <tr><td></td><td></td><td>73</td><td></td><td></td><td></td><td></td><td></td><td>28</td><td></td><td></td><td></td><td></td><td>24</td><td>23</td><td></td><td>20</td><td></td><td></td><td></td></tr> <tr><td></td><td></td><td></td><td></td><td></td><td></td><td></td><td></td><td></td><td>12</td><td>11</td><td></td><td></td><td></td><td></td><td></td><td></td><td></td><td>2</td><td>1</td></tr> </table>	72	71	70	69	68			65	64	63	62	61	60	59	58	57	56	55	54	53	52	51	50	49	48		46	45	44	43	42		40	39	38	37	36	35	34	33			73						28					24	23		20													12	11								2	1	
72	71	70	69	68			65	64	63	62	61	60	59	58	57	56	55	54	53																																																																				
52	51	50	49	48		46	45	44	43	42		40	39	38	37	36	35	34	33																																																																				
		73						28					24	23		20																																																																							
									12	11								2	1																																																																				
AVAILABLE	NOT APPLICABLE	34566-4463	9	B	ST GRY	<table border="1"> <tr><td></td><td></td><td></td><td></td><td></td><td></td><td></td><td></td><td></td><td>63</td><td></td><td></td><td></td><td></td><td></td><td></td><td></td><td></td><td></td><td>53</td></tr> <tr><td></td><td></td><td></td><td></td><td>48</td><td>47</td><td></td><td>45</td><td></td><td>43</td><td>42</td><td></td><td></td><td>39</td><td></td><td></td><td></td><td>35</td><td>34</td><td>33</td></tr> <tr><td></td><td></td><td>73</td><td></td><td></td><td></td><td></td><td></td><td></td><td></td><td>26</td><td></td><td></td><td>23</td><td>22</td><td></td><td></td><td>19</td><td></td><td></td></tr> <tr><td></td><td></td><td></td><td></td><td></td><td></td><td></td><td></td><td></td><td>11</td><td></td><td></td><td></td><td></td><td></td><td></td><td></td><td></td><td></td><td>1</td></tr> </table>										63										53					48	47		45		43	42			39				35	34	33			73								26			23	22			19												11										1	
									63										53																																																																				
				48	47		45		43	42			39				35	34	33																																																																				
		73								26			23	22			19																																																																						
									11										1																																																																				
AVAILABLE	NOT APPLICABLE	34566-4473	0	B	ST GRY	<table border="1"> <tr><td></td><td></td><td></td><td></td><td></td><td></td><td></td><td>64</td><td>63</td><td>62</td><td></td><td></td><td>59</td><td>58</td><td></td><td></td><td></td><td></td><td>53</td></tr> <tr><td></td><td></td><td></td><td></td><td>47</td><td>45</td><td></td><td>43</td><td>42</td><td></td><td></td><td></td><td>39</td><td></td><td></td><td></td><td></td><td>35</td><td>34</td><td>33</td></tr> <tr><td></td><td></td><td>73</td><td></td><td></td><td></td><td></td><td></td><td>26</td><td>25</td><td></td><td></td><td>23</td><td>22</td><td></td><td></td><td></td><td></td><td></td><td></td></tr> <tr><td></td><td></td><td></td><td></td><td></td><td></td><td></td><td></td><td></td><td></td><td></td><td></td><td></td><td></td><td></td><td></td><td></td><td>3</td><td></td><td>1</td></tr> </table>								64	63	62			59	58					53					47	45		43	42				39					35	34	33			73						26	25			23	22																								3		1		
							64	63	62			59	58					53																																																																					
				47	45		43	42				39					35	34	33																																																																				
		73						26	25			23	22																																																																										
																	3		1																																																																				

<b>QUALITY SYMBOLS</b> 	THIS DRAWING CONTAINS INFORMATION THAT IS PROPRIETARY TO MOLEX ELECTRONIC TECHNOLOGIES, LLC AND SHOULD NOT BE USED WITHOUT WRITTEN PERMISSION		<b>GENERAL TOLERANCES (UNLESS SPECIFIED)</b> DIMENSION UNITS: <b>MM</b> SCALE: <b>1:1</b>			
	EC NO: 115716 DRWN: TYE CHKD: JDENG02 REV APPR: JDENG02	2017/04/12 2017/04/21	DRWN BY: SKRAJENDRANA DATE: 2011/02/14 CHKD BY: MVANSLAMBROU DATE: 2011/02/14 APPR BY:	ANGULAR TOL ± ° 4 PLACES ± 3 PLACES ± 2 PLACES ± 1 PLACE ± 0 PLACES ±		DRAFT WHERE APPLICABLE MUST REMAIN WITHIN DIMENSIONS
<b>RELEASE STATUS</b> 19		<b>RELEASE DATE</b> 18		DOCUMENT NUMBER: SD-34566-001 DOC TYPE: PSD DOC PART: 000 SHEET NUMBER: 51 OF 93		

STATUS	GM PART #	MATERIAL #	WIRE DRESS OPTION	KEY OPTION	COLOR (TPA)	NUMBERS INDICATE CAVITIES OPEN FOR CIRCUITS ▽ <sub>F</sub>																																																																																	
AVAILABLE	NOT APPLICABLE	34566-4483	9	C	BLUE	<table border="1"> <tr><td>72</td><td></td><td>70</td><td></td><td>68</td><td>67</td><td>66</td><td></td><td></td><td>63</td><td>62</td><td></td><td></td><td>59</td><td>58</td><td>57</td><td>56</td><td>55</td><td></td><td>53</td></tr> <tr><td>52</td><td>51</td><td></td><td>49</td><td>48</td><td>47</td><td>46</td><td></td><td>44</td><td></td><td></td><td></td><td></td><td>40</td><td>39</td><td>38</td><td>37</td><td>36</td><td></td><td>34</td><td>33</td></tr> <tr><td colspan="2">73</td><td></td><td></td><td>32</td><td></td><td>30</td><td></td><td></td><td>27</td><td>26</td><td>25</td><td>24</td><td>23</td><td>22</td><td>21</td><td>20</td><td>19</td><td>18</td><td>17</td></tr> <tr><td colspan="2"></td><td></td><td></td><td></td><td>15</td><td>14</td><td>13</td><td></td><td></td><td>10</td><td>9</td><td>8</td><td>7</td><td>6</td><td>5</td><td>4</td><td>3</td><td>2</td><td>1</td></tr> </table>	72		70		68	67	66			63	62			59	58	57	56	55		53	52	51		49	48	47	46		44					40	39	38	37	36		34	33	73				32		30			27	26	25	24	23	22	21	20	19	18	17						15	14	13			10	9	8	7	6	5	4	3	2	1
72		70		68	67	66			63	62			59	58	57	56	55		53																																																																				
52	51		49	48	47	46		44					40	39	38	37	36		34	33																																																																			
73				32		30			27	26	25	24	23	22	21	20	19	18	17																																																																				
					15	14	13			10	9	8	7	6	5	4	3	2	1																																																																				
AVAILABLE	NOT APPLICABLE	34566-4493	9	A	BLACK	<table border="1"> <tr><td>72</td><td>71</td><td>70</td><td>69</td><td></td><td>67</td><td></td><td></td><td>64</td><td>63</td><td>62</td><td>61</td><td>60</td><td>59</td><td>58</td><td>57</td><td>56</td><td>55</td><td>54</td><td>53</td></tr> <tr><td>52</td><td>51</td><td>50</td><td>49</td><td>48</td><td>47</td><td></td><td>45</td><td>44</td><td>43</td><td>42</td><td>41</td><td>40</td><td>39</td><td></td><td>37</td><td>36</td><td></td><td>34</td><td></td></tr> <tr><td colspan="2">73</td><td></td><td></td><td>32</td><td></td><td>30</td><td>29</td><td>28</td><td>27</td><td>26</td><td></td><td>24</td><td>23</td><td></td><td>21</td><td></td><td>19</td><td>18</td><td>17</td></tr> <tr><td colspan="2"></td><td></td><td></td><td></td><td>16</td><td>15</td><td>14</td><td>13</td><td>12</td><td>11</td><td>10</td><td></td><td>8</td><td></td><td>5</td><td></td><td>3</td><td>2</td><td>1</td></tr> </table>	72	71	70	69		67			64	63	62	61	60	59	58	57	56	55	54	53	52	51	50	49	48	47		45	44	43	42	41	40	39		37	36		34		73				32		30	29	28	27	26		24	23		21		19	18	17						16	15	14	13	12	11	10		8		5		3	2	1	
72	71	70	69		67			64	63	62	61	60	59	58	57	56	55	54	53																																																																				
52	51	50	49	48	47		45	44	43	42	41	40	39		37	36		34																																																																					
73				32		30	29	28	27	26		24	23		21		19	18	17																																																																				
					16	15	14	13	12	11	10		8		5		3	2	1																																																																				
AVAILABLE	NOT APPLICABLE	34566-4513	9	B	ST GRY	<table border="1"> <tr><td>72</td><td>71</td><td>70</td><td></td><td>68</td><td>67</td><td>66</td><td></td><td></td><td></td><td>62</td><td>61</td><td>60</td><td>59</td><td>58</td><td>57</td><td>56</td><td>55</td><td>54</td><td>53</td></tr> <tr><td>52</td><td>51</td><td>50</td><td></td><td>48</td><td>47</td><td>46</td><td></td><td></td><td></td><td>42</td><td>41</td><td>40</td><td>39</td><td>38</td><td>37</td><td>36</td><td>35</td><td>34</td><td>33</td></tr> <tr><td colspan="2">73</td><td></td><td></td><td>32</td><td>31</td><td>30</td><td>29</td><td>28</td><td>27</td><td>26</td><td>25</td><td>24</td><td>23</td><td></td><td></td><td></td><td>19</td><td>18</td><td>17</td></tr> <tr><td colspan="2"></td><td></td><td></td><td></td><td>16</td><td>15</td><td>14</td><td>13</td><td></td><td>10</td><td></td><td>8</td><td>7</td><td></td><td></td><td></td><td>3</td><td>2</td><td>1</td></tr> </table>	72	71	70		68	67	66				62	61	60	59	58	57	56	55	54	53	52	51	50		48	47	46				42	41	40	39	38	37	36	35	34	33	73				32	31	30	29	28	27	26	25	24	23				19	18	17						16	15	14	13		10		8	7				3	2	1	
72	71	70		68	67	66				62	61	60	59	58	57	56	55	54	53																																																																				
52	51	50		48	47	46				42	41	40	39	38	37	36	35	34	33																																																																				
73				32	31	30	29	28	27	26	25	24	23				19	18	17																																																																				
					16	15	14	13		10		8	7				3	2	1																																																																				
AVAILABLE	NOT APPLICABLE	34566-4523	0	G	BLUE	<table border="1"> <tr><td></td><td></td><td>78</td><td>77</td><td></td><td>75</td><td>74</td><td></td><td>72</td><td></td><td>70</td><td>69</td><td></td><td>67</td><td></td><td>65</td><td>64</td><td>63</td><td>62</td><td></td></tr> <tr><td>60</td><td></td><td>58</td><td>57</td><td></td><td>55</td><td>54</td><td></td><td>52</td><td>51</td><td>50</td><td>49</td><td></td><td>47</td><td></td><td>45</td><td></td><td></td><td></td><td></td></tr> <tr><td>40</td><td></td><td>38</td><td>37</td><td></td><td></td><td></td><td></td><td></td><td>31</td><td></td><td></td><td></td><td>27</td><td>26</td><td>25</td><td>24</td><td></td><td></td><td></td></tr> <tr><td>20</td><td></td><td>18</td><td>17</td><td></td><td></td><td></td><td></td><td></td><td></td><td>10</td><td>9</td><td>8</td><td></td><td>6</td><td>5</td><td></td><td>3</td><td>2</td><td>1</td></tr> </table>			78	77		75	74		72		70	69		67		65	64	63	62		60		58	57		55	54		52	51	50	49		47		45					40		38	37						31				27	26	25	24				20		18	17							10	9	8		6	5		3	2	1	
		78	77		75	74		72		70	69		67		65	64	63	62																																																																					
60		58	57		55	54		52	51	50	49		47		45																																																																								
40		38	37						31				27	26	25	24																																																																							
20		18	17							10	9	8		6	5		3	2	1																																																																				
AVAILABLE	NOT APPLICABLE	34566-4533	0	A	BLACK	<table border="1"> <tr><td>72</td><td></td><td></td><td>69</td><td></td><td>67</td><td></td><td>65</td><td></td><td>63</td><td></td><td></td><td>60</td><td></td><td></td><td>57</td><td>56</td><td></td><td></td><td>53</td></tr> <tr><td></td><td></td><td></td><td>49</td><td></td><td>47</td><td></td><td>44</td><td>43</td><td></td><td></td><td></td><td>40</td><td></td><td></td><td>37</td><td>36</td><td>35</td><td></td><td>33</td></tr> <tr><td colspan="2">73</td><td></td><td></td><td></td><td>31</td><td>30</td><td>29</td><td>28</td><td></td><td></td><td></td><td>24</td><td></td><td></td><td>21</td><td>20</td><td></td><td></td><td>17</td></tr> <tr><td colspan="2"></td><td></td><td></td><td></td><td></td><td>16</td><td>15</td><td>14</td><td>13</td><td></td><td>11</td><td>10</td><td></td><td></td><td>5</td><td>4</td><td>3</td><td>2</td><td>1</td></tr> </table>	72			69		67		65		63			60			57	56			53				49		47		44	43				40			37	36	35		33	73					31	30	29	28				24			21	20			17							16	15	14	13		11	10			5	4	3	2	1	
72			69		67		65		63			60			57	56			53																																																																				
			49		47		44	43				40			37	36	35		33																																																																				
73					31	30	29	28				24			21	20			17																																																																				
						16	15	14	13		11	10			5	4	3	2	1																																																																				
AVAILABLE	NOT APPLICABLE	34566-4543	0	B	ST GRY	<table border="1"> <tr><td></td><td></td><td></td><td></td><td>68</td><td>67</td><td></td><td></td><td>64</td><td>63</td><td></td><td></td><td></td><td></td><td>58</td><td>57</td><td></td><td>55</td><td>53</td><td></td></tr> <tr><td></td><td></td><td></td><td></td><td></td><td></td><td>46</td><td>45</td><td></td><td>43</td><td></td><td></td><td></td><td></td><td>38</td><td>37</td><td></td><td>35</td><td></td><td></td></tr> <tr><td colspan="2">73</td><td></td><td></td><td></td><td>32</td><td></td><td>30</td><td>29</td><td>28</td><td>27</td><td></td><td></td><td></td><td>22</td><td>21</td><td></td><td>19</td><td></td><td>17</td></tr> <tr><td colspan="2"></td><td></td><td></td><td></td><td></td><td></td><td></td><td></td><td>12</td><td></td><td>10</td><td></td><td></td><td></td><td></td><td></td><td></td><td></td><td>1</td></tr> </table>					68	67			64	63					58	57		55	53								46	45		43					38	37		35			73					32		30	29	28	27				22	21		19		17										12		10								1	
				68	67			64	63					58	57		55	53																																																																					
						46	45		43					38	37		35																																																																						
73					32		30	29	28	27				22	21		19		17																																																																				
									12		10								1																																																																				
AVAILABLE	NOT APPLICABLE	34566-4553	0	B	ST GRY	<table border="1"> <tr><td></td><td></td><td></td><td></td><td>68</td><td>67</td><td></td><td></td><td>64</td><td>63</td><td></td><td></td><td></td><td></td><td>58</td><td>57</td><td></td><td></td><td></td><td>53</td></tr> <tr><td></td><td></td><td></td><td></td><td></td><td></td><td>46</td><td>45</td><td></td><td>43</td><td></td><td></td><td></td><td></td><td>38</td><td>37</td><td></td><td></td><td></td><td></td></tr> <tr><td colspan="2">73</td><td></td><td></td><td></td><td>32</td><td></td><td>30</td><td>29</td><td>28</td><td>27</td><td></td><td></td><td></td><td>22</td><td>21</td><td></td><td></td><td></td><td>17</td></tr> <tr><td colspan="2"></td><td></td><td></td><td></td><td></td><td></td><td></td><td></td><td>12</td><td></td><td>10</td><td></td><td></td><td></td><td></td><td></td><td></td><td></td><td></td></tr> </table>					68	67			64	63					58	57				53							46	45		43					38	37					73					32		30	29	28	27				22	21				17										12		10									
				68	67			64	63					58	57				53																																																																				
						46	45		43					38	37																																																																								
73					32		30	29	28	27				22	21				17																																																																				
									12		10																																																																												
AVAILABLE	NOT APPLICABLE	34566-4563	0	B	ST GRY	<table border="1"> <tr><td></td><td></td><td></td><td></td><td>68</td><td>67</td><td></td><td></td><td>64</td><td>63</td><td></td><td></td><td></td><td></td><td>58</td><td></td><td></td><td>55</td><td>53</td><td></td></tr> <tr><td></td><td></td><td></td><td></td><td></td><td></td><td>46</td><td>45</td><td></td><td>43</td><td></td><td></td><td></td><td></td><td>38</td><td></td><td></td><td>35</td><td></td><td></td></tr> <tr><td colspan="2">73</td><td></td><td></td><td></td><td>32</td><td></td><td>30</td><td>29</td><td>28</td><td>27</td><td></td><td></td><td></td><td>22</td><td></td><td></td><td>19</td><td></td><td>17</td></tr> <tr><td colspan="2"></td><td></td><td></td><td></td><td></td><td></td><td></td><td></td><td>12</td><td></td><td>10</td><td></td><td></td><td></td><td></td><td></td><td></td><td></td><td>1</td></tr> </table>					68	67			64	63					58			55	53								46	45		43					38			35			73					32		30	29	28	27				22			19		17										12		10								1	
				68	67			64	63					58			55	53																																																																					
						46	45		43					38			35																																																																						
73					32		30	29	28	27				22			19		17																																																																				
									12		10								1																																																																				
AVAILABLE	NOT APPLICABLE	34566-4573	0	B	ST GRY	<table border="1"> <tr><td></td><td></td><td></td><td></td><td>68</td><td>67</td><td></td><td></td><td>64</td><td>63</td><td></td><td></td><td></td><td></td><td>58</td><td></td><td></td><td></td><td></td><td>53</td></tr> <tr><td></td><td></td><td></td><td></td><td></td><td></td><td>46</td><td>45</td><td></td><td>43</td><td></td><td></td><td></td><td></td><td>38</td><td></td><td></td><td></td><td></td><td></td></tr> <tr><td colspan="2">73</td><td></td><td></td><td></td><td>32</td><td></td><td>30</td><td>29</td><td>28</td><td>27</td><td></td><td></td><td></td><td>22</td><td></td><td></td><td></td><td></td><td>17</td></tr> <tr><td colspan="2"></td><td></td><td></td><td></td><td></td><td></td><td></td><td></td><td>12</td><td></td><td>10</td><td></td><td></td><td></td><td></td><td></td><td></td><td></td><td></td></tr> </table>					68	67			64	63					58					53							46	45		43					38						73					32		30	29	28	27				22					17										12		10									
				68	67			64	63					58					53																																																																				
						46	45		43					38																																																																									
73					32		30	29	28	27				22					17																																																																				
									12		10																																																																												

<b>QUALITY SYMBOLS</b> ▽ <sub>F</sub> = 0 ▽ <sub>E</sub> = 0 ▽ <sub>P</sub> = 0 ▽ = 0 ▽ <sub>C</sub> = 0 ☒ = 0 ■ = 0 ▽ = 0	THIS DRAWING CONTAINS INFORMATION THAT IS PROPRIETARY TO MOLEX ELECTRONIC TECHNOLOGIES, LLC AND SHOULD NOT BE USED WITHOUT WRITTEN PERMISSION		GENERAL TOLERANCES (UNLESS SPECIFIED) ANGULAR TOL ± ° 4 PLACES ± 3 PLACES ± 2 PLACES ± 1 PLACE ± 0 PLACES ± DRAFT WHERE APPLICABLE MUST REMAIN WITHIN DIMENSIONS		DIMENSION UNITS <b>MM</b>	SCALE <b>1:1</b>	 <b>MX123</b> <b>66/73/80CKT HRNS CONN ASSY</b> <b>PRODUCT CUSTOMER DRAWING</b> SERIES: <b>34566</b> MATERIAL NUMBER: <b>SEE BOM TABLE</b> CUSTOMER: <b>GENERAL MARKET</b> DOCUMENT NUMBER: <b>SD-34566-001</b> DOC TYPE: <b>PSD</b> DOC PART: <b>000</b> SHEET NUMBER: <b>52 OF 93</b>		
	EC NO: 115716 DRWN: TYE CHKD: JDENG02 REV APPR: JDENG02	2017/04/12 2017/04/21	DRWN BY <b>SKRAJENDRANA</b>	DATE <b>2011/02/14</b>	CHKD BY <b>MVANSLAMBROU</b>	DATE <b>2011/02/14</b>		APPR BY 	DATE 
	<b>G50</b>	<b>D</b>	THIRD ANGLE PROJECTION						






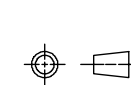




STATUS	GM PART #	MATERIAL #	WIRE DRESS OPTION	KEY OPTION	COLOR (TPA)	NUMBERS INDICATE CAVITIES OPEN FOR CIRCUITS																																																																													
AVAILABLE	NOT APPLICABLE	34566-4883	9	A	BLACK	<table border="1"> <tr><td>72</td><td></td><td>69</td><td>67</td><td>65</td><td>63</td><td></td><td>60</td><td></td><td>57</td><td>56</td><td></td><td>53</td></tr> <tr><td></td><td></td><td>49</td><td>47</td><td>46</td><td>44</td><td>43</td><td></td><td>40</td><td></td><td>37</td><td>36</td><td>35</td><td>33</td></tr> <tr><td></td><td>73</td><td></td><td>31</td><td>30</td><td>29</td><td>28</td><td></td><td>24</td><td></td><td>21</td><td>20</td><td></td><td>17</td></tr> <tr><td></td><td></td><td></td><td>16</td><td>15</td><td>14</td><td>13</td><td></td><td>11</td><td>10</td><td></td><td>5</td><td>4</td><td>3</td><td>2</td><td>1</td></tr> </table>	72		69	67	65	63		60		57	56		53			49	47	46	44	43		40		37	36	35	33		73		31	30	29	28		24		21	20		17				16	15	14	13		11	10		5	4	3	2	1																				
72		69	67	65	63		60		57	56		53																																																																							
		49	47	46	44	43		40		37	36	35	33																																																																						
	73		31	30	29	28		24		21	20		17																																																																						
			16	15	14	13		11	10		5	4	3	2	1																																																																				
AVAILABLE	NOT APPLICABLE	34566-4893	9	B	ST.GRAY	<table border="1"> <tr><td></td><td></td><td>68</td><td>67</td><td></td><td>64</td><td>63</td><td></td><td></td><td>58</td><td></td><td>55</td><td></td><td></td></tr> <tr><td></td><td></td><td></td><td></td><td>46</td><td>45</td><td>43</td><td></td><td></td><td>38</td><td></td><td>35</td><td></td><td></td></tr> <tr><td></td><td>73</td><td></td><td>32</td><td></td><td>30</td><td>29</td><td>28</td><td>27</td><td></td><td>22</td><td></td><td>19</td><td>17</td></tr> <tr><td></td><td></td><td></td><td></td><td>15</td><td></td><td>13</td><td></td><td>10</td><td></td><td></td><td></td><td></td><td></td><td>1</td></tr> </table>			68	67		64	63			58		55							46	45	43			38		35				73		32		30	29	28	27		22		19	17					15		13		10						1																				
		68	67		64	63			58		55																																																																								
				46	45	43			38		35																																																																								
	73		32		30	29	28	27		22		19	17																																																																						
				15		13		10						1																																																																					
AVAILABLE	NOT APPLICABLE	34566-4913	9	B	ST.GRAY	<table border="1"> <tr><td></td><td></td><td>68</td><td>67</td><td></td><td>64</td><td>63</td><td></td><td></td><td>58</td><td>57</td><td>55</td><td>53</td></tr> <tr><td></td><td></td><td></td><td></td><td>46</td><td>45</td><td>43</td><td></td><td></td><td>38</td><td>37</td><td>35</td><td></td></tr> <tr><td></td><td>73</td><td></td><td>32</td><td></td><td>30</td><td>29</td><td>28</td><td>27</td><td></td><td>22</td><td>21</td><td>19</td><td>17</td></tr> <tr><td></td><td></td><td></td><td></td><td></td><td></td><td></td><td>12</td><td>10</td><td></td><td></td><td></td><td></td><td></td><td>1</td></tr> </table>			68	67		64	63			58	57	55	53					46	45	43			38	37	35			73		32		30	29	28	27		22	21	19	17								12	10						1																						
		68	67		64	63			58	57	55	53																																																																							
				46	45	43			38	37	35																																																																								
	73		32		30	29	28	27		22	21	19	17																																																																						
							12	10						1																																																																					
AVAILABLE	NOT APPLICABLE	34566-4923	9	A	BLACK	<table border="1"> <tr><td>72</td><td></td><td>69</td><td>67</td><td>65</td><td>63</td><td></td><td>60</td><td></td><td>57</td><td>56</td><td></td><td>53</td></tr> <tr><td></td><td></td><td>49</td><td>47</td><td></td><td>44</td><td>43</td><td></td><td>40</td><td></td><td>37</td><td>36</td><td>35</td><td>33</td></tr> <tr><td></td><td>73</td><td></td><td>31</td><td>30</td><td>29</td><td>28</td><td></td><td>24</td><td></td><td>21</td><td>20</td><td></td><td>17</td></tr> <tr><td></td><td></td><td></td><td>16</td><td>15</td><td>14</td><td>13</td><td></td><td>11</td><td>10</td><td></td><td>5</td><td>4</td><td>3</td><td>2</td><td>1</td></tr> </table>	72		69	67	65	63		60		57	56		53			49	47		44	43		40		37	36	35	33		73		31	30	29	28		24		21	20		17				16	15	14	13		11	10		5	4	3	2	1																				
72		69	67	65	63		60		57	56		53																																																																							
		49	47		44	43		40		37	36	35	33																																																																						
	73		31	30	29	28		24		21	20		17																																																																						
			16	15	14	13		11	10		5	4	3	2	1																																																																				
AVAILABLE	NOT APPLICABLE	34566-4933	0	C	BLUE	<table border="1"> <tr><td>72</td><td></td><td>70</td><td>68</td><td>67</td><td>66</td><td></td><td>63</td><td>62</td><td></td><td>59</td><td>57</td><td></td><td>53</td></tr> <tr><td>52</td><td>51</td><td></td><td>48</td><td>47</td><td>46</td><td></td><td>44</td><td></td><td></td><td>40</td><td>39</td><td>37</td><td>36</td><td>35</td><td>34</td><td>33</td></tr> <tr><td></td><td>73</td><td></td><td>32</td><td></td><td>30</td><td></td><td>27</td><td>26</td><td>25</td><td>24</td><td>22</td><td>21</td><td></td><td></td><td></td><td></td></tr> <tr><td></td><td></td><td></td><td></td><td>15</td><td>14</td><td></td><td></td><td>10</td><td>9</td><td>8</td><td>6</td><td>5</td><td>4</td><td></td><td>2</td><td></td></tr> </table>	72		70	68	67	66		63	62		59	57		53	52	51		48	47	46		44			40	39	37	36	35	34	33		73		32		30		27	26	25	24	22	21									15	14			10	9	8	6	5	4		2													
72		70	68	67	66		63	62		59	57		53																																																																						
52	51		48	47	46		44			40	39	37	36	35	34	33																																																																			
	73		32		30		27	26	25	24	22	21																																																																							
				15	14			10	9	8	6	5	4		2																																																																				
AVAILABLE	NOT APPLICABLE	34566-4943	0	A	BLACK	<table border="1"> <tr><td></td><td></td><td>70</td><td>69</td><td>68</td><td>67</td><td></td><td></td><td>63</td><td>62</td><td>61</td><td>60</td><td>59</td><td>58</td><td>57</td><td>56</td><td>55</td><td>54</td><td>53</td></tr> <tr><td>52</td><td>51</td><td>50</td><td>49</td><td></td><td></td><td></td><td></td><td>44</td><td>43</td><td>42</td><td>41</td><td></td><td>39</td><td>38</td><td>37</td><td>36</td><td></td><td>34</td></tr> <tr><td></td><td>73</td><td></td><td>32</td><td>31</td><td></td><td>29</td><td>28</td><td>27</td><td>26</td><td>25</td><td>23</td><td></td><td></td><td></td><td></td><td>19</td><td>18</td><td></td></tr> <tr><td></td><td></td><td></td><td></td><td>16</td><td>15</td><td>14</td><td>13</td><td>12</td><td>11</td><td>10</td><td>9</td><td>8</td><td></td><td></td><td></td><td>3</td><td></td><td></td></tr> </table>			70	69	68	67			63	62	61	60	59	58	57	56	55	54	53	52	51	50	49					44	43	42	41		39	38	37	36		34		73		32	31		29	28	27	26	25	23					19	18						16	15	14	13	12	11	10	9	8				3			
		70	69	68	67			63	62	61	60	59	58	57	56	55	54	53																																																																	
52	51	50	49					44	43	42	41		39	38	37	36		34																																																																	
	73		32	31		29	28	27	26	25	23					19	18																																																																		
				16	15	14	13	12	11	10	9	8				3																																																																			
AVAILABLE	NOT APPLICABLE	34566-4953	0	B	ST.GRAY	<table border="1"> <tr><td>72</td><td>71</td><td>70</td><td>69</td><td>68</td><td>67</td><td>66</td><td>65</td><td>64</td><td>63</td><td></td><td></td><td>59</td><td></td><td></td><td></td><td></td><td>53</td></tr> <tr><td>52</td><td>51</td><td>50</td><td>49</td><td>48</td><td>47</td><td>46</td><td>45</td><td>44</td><td>43</td><td></td><td></td><td>39</td><td></td><td></td><td></td><td></td><td>34</td><td>33</td></tr> <tr><td></td><td>73</td><td></td><td>32</td><td>31</td><td>30</td><td>29</td><td>28</td><td>27</td><td>26</td><td>25</td><td>24</td><td>23</td><td></td><td></td><td></td><td></td><td>19</td><td>18</td><td>17</td></tr> <tr><td></td><td></td><td></td><td></td><td>16</td><td>15</td><td>14</td><td>13</td><td>12</td><td>11</td><td>10</td><td></td><td>8</td><td>7</td><td></td><td></td><td></td><td>3</td><td>2</td><td>1</td></tr> </table>	72	71	70	69	68	67	66	65	64	63			59					53	52	51	50	49	48	47	46	45	44	43			39					34	33		73		32	31	30	29	28	27	26	25	24	23					19	18	17					16	15	14	13	12	11	10		8	7				3	2	1
72	71	70	69	68	67	66	65	64	63			59					53																																																																		
52	51	50	49	48	47	46	45	44	43			39					34	33																																																																	
	73		32	31	30	29	28	27	26	25	24	23					19	18	17																																																																
				16	15	14	13	12	11	10		8	7				3	2	1																																																																
AVAILABLE	NOT APPLICABLE	34566-4963	9	A	BLACK	<table border="1"> <tr><td>72</td><td></td><td>69</td><td>67</td><td>66</td><td>65</td><td></td><td>63</td><td></td><td>60</td><td></td><td>57</td><td>56</td><td></td><td>53</td></tr> <tr><td></td><td></td><td>49</td><td>47</td><td>46</td><td></td><td>44</td><td>43</td><td>42</td><td>40</td><td></td><td>37</td><td>36</td><td>35</td><td>33</td></tr> <tr><td></td><td>73</td><td></td><td>31</td><td>30</td><td>29</td><td>28</td><td>27</td><td>26</td><td>24</td><td></td><td>21</td><td>20</td><td></td><td>17</td></tr> <tr><td></td><td></td><td></td><td>16</td><td>15</td><td>14</td><td>13</td><td></td><td>11</td><td>10</td><td></td><td></td><td>5</td><td>4</td><td>3</td><td>2</td><td>1</td></tr> </table>	72		69	67	66	65		63		60		57	56		53			49	47	46		44	43	42	40		37	36	35	33		73		31	30	29	28	27	26	24		21	20		17				16	15	14	13		11	10			5	4	3	2	1															
72		69	67	66	65		63		60		57	56		53																																																																					
		49	47	46		44	43	42	40		37	36	35	33																																																																					
	73		31	30	29	28	27	26	24		21	20		17																																																																					
			16	15	14	13		11	10			5	4	3	2	1																																																																			
AVAILABLE	NOT APPLICABLE	34566-4973	9	B	ST.GRAY	<table border="1"> <tr><td></td><td></td><td>68</td><td>67</td><td></td><td>64</td><td></td><td></td><td></td><td>59</td><td>58</td><td></td><td></td><td>54</td></tr> <tr><td></td><td></td><td></td><td></td><td>46</td><td>45</td><td>44</td><td>43</td><td></td><td>39</td><td>38</td><td></td><td></td><td></td></tr> <tr><td></td><td>73</td><td></td><td>32</td><td></td><td>30</td><td>29</td><td>28</td><td>27</td><td></td><td>23</td><td>22</td><td></td><td>17</td></tr> <tr><td></td><td></td><td></td><td></td><td>15</td><td></td><td>13</td><td>12</td><td>10</td><td></td><td></td><td>6</td><td></td><td></td><td></td><td></td><td>1</td></tr> </table>			68	67		64				59	58			54					46	45	44	43		39	38					73		32		30	29	28	27		23	22		17					15		13	12	10			6					1																		
		68	67		64				59	58			54																																																																						
				46	45	44	43		39	38																																																																									
	73		32		30	29	28	27		23	22		17																																																																						
				15		13	12	10			6					1																																																																			

<b>QUALITY SYMBOLS</b> = 0 = 0 = 0 = 0 = 0 = 0 = 0 = 0 = 0	THIS DRAWING CONTAINS INFORMATION THAT IS PROPRIETARY TO MOLEX ELECTRONIC TECHNOLOGIES, LLC AND SHOULD NOT BE USED WITHOUT WRITTEN PERMISSION									
	2017/04/12	2017/04/21	GENERAL TOLERANCES (UNLESS SPECIFIED)		DIMENSION UNITS	SCALE				
	EC NO: 115716	DRWN: TYE	ANGULAR TOL ± °		MM	1:1				
	CHKD:	JDENG02	4 PLACES ±	SKRAJENDRANA	2011/02/14					
	REV:		3 PLACES ±	CHKD BY	DATE					
			2 PLACES ±	MVANSLAMBROU	2011/02/14					
			1 PLACE ±	APPR BY	DATE					
			0 PLACES ±							
			DRAFT WHERE APPLICABLE MUST REMAIN WITHIN DIMENSIONS		DRAWING SIZE	THIRD ANGLE PROJECTION				
			D							
G50		SERIES		MATERIAL NUMBER		CUSTOMER		PRODUCT CUSTOMER DRAWING		
		34566		SEE BOM TABLE		GENERAL MARKET				
		DOCUMENT NUMBER		DOC TYPE		DOC PART		SHEET NUMBER		
		SD-34566-001		PSD		000		56 OF 93		

STATUS	GM PART #	MATERIAL #	WIRE DRESS OPTION	KEY OPTION ▽	COLOR (TPA) ▽	NUMBERS INDICATE CAVITIES OPEN FOR CIRCUITS ▽																																																																																
AVAILABLE	NOT APPLICABLE	34566-4983	0	B	ST.GRAY	<table border="1"> <tr><td>72</td><td>70</td><td>68</td><td>66</td><td></td><td></td><td></td><td></td><td></td><td>60</td><td>59</td><td></td><td></td><td>55</td><td>54</td><td>53</td></tr> <tr><td>52</td><td>50</td><td>48</td><td>46</td><td></td><td>44</td><td></td><td></td><td></td><td>40</td><td>39</td><td></td><td></td><td>35</td><td>34</td><td>33</td></tr> <tr><td colspan="2">73</td><td>32</td><td>31</td><td>30</td><td>29</td><td>28</td><td>27</td><td>26</td><td>25</td><td>24</td><td>23</td><td></td><td></td><td>19</td><td>18</td><td>17</td></tr> <tr><td colspan="2"></td><td>16</td><td></td><td></td><td></td><td></td><td></td><td>10</td><td>8</td><td>7</td><td></td><td></td><td></td><td>2</td><td>1</td><td></td></tr> </table>	72	70	68	66						60	59			55	54	53	52	50	48	46		44				40	39			35	34	33	73		32	31	30	29	28	27	26	25	24	23			19	18	17			16						10	8	7				2	1															
72	70	68	66						60	59			55	54	53																																																																							
52	50	48	46		44				40	39			35	34	33																																																																							
73		32	31	30	29	28	27	26	25	24	23			19	18	17																																																																						
		16						10	8	7				2	1																																																																							
AVAILABLE	NOT APPLICABLE	34566-4993	0	A	BLACK	<table border="1"> <tr><td>72</td><td>71</td><td>70</td><td>69</td><td>67</td><td></td><td></td><td>64</td><td>63</td><td></td><td></td><td>60</td><td>59</td><td></td><td>56</td><td>55</td><td>54</td><td>53</td></tr> <tr><td>52</td><td>51</td><td></td><td>49</td><td>47</td><td></td><td>45</td><td>44</td><td>43</td><td>42</td><td>41</td><td></td><td></td><td></td><td>36</td><td></td><td>34</td><td></td></tr> <tr><td colspan="2">73</td><td>32</td><td></td><td>30</td><td></td><td>28</td><td></td><td>26</td><td></td><td></td><td></td><td></td><td></td><td>19</td><td>18</td><td></td><td></td></tr> <tr><td colspan="2"></td><td>16</td><td>15</td><td></td><td></td><td>12</td><td></td><td>10</td><td></td><td></td><td></td><td></td><td></td><td>3</td><td></td><td></td><td></td></tr> </table>	72	71	70	69	67			64	63			60	59		56	55	54	53	52	51		49	47		45	44	43	42	41				36		34		73		32		30		28		26						19	18					16	15			12		10						3											
72	71	70	69	67			64	63			60	59		56	55	54	53																																																																					
52	51		49	47		45	44	43	42	41				36		34																																																																						
73		32		30		28		26						19	18																																																																							
		16	15			12		10						3																																																																								
AVAILABLE	NOT APPLICABLE	34566-5013	9	B	ST.GRAY	<table border="1"> <tr><td></td><td></td><td></td><td>68</td><td>67</td><td></td><td></td><td>64</td><td>63</td><td></td><td></td><td></td><td>59</td><td>58</td><td></td><td>55</td><td>54</td><td></td></tr> <tr><td></td><td></td><td></td><td></td><td></td><td>46</td><td>45</td><td>44</td><td>43</td><td></td><td></td><td></td><td>39</td><td>38</td><td></td><td>35</td><td></td><td></td></tr> <tr><td colspan="2">73</td><td>32</td><td></td><td>30</td><td>29</td><td>28</td><td>27</td><td></td><td></td><td></td><td>23</td><td>22</td><td></td><td>19</td><td>17</td><td></td><td></td></tr> <tr><td colspan="2"></td><td></td><td>15</td><td></td><td>13</td><td>12</td><td></td><td>10</td><td></td><td></td><td>6</td><td></td><td></td><td></td><td></td><td></td><td>1</td></tr> </table>				68	67			64	63				59	58		55	54							46	45	44	43				39	38		35			73		32		30	29	28	27				23	22		19	17						15		13	12		10			6						1								
			68	67			64	63				59	58		55	54																																																																						
					46	45	44	43				39	38		35																																																																							
73		32		30	29	28	27				23	22		19	17																																																																							
			15		13	12		10			6						1																																																																					
AVAILABLE	NOT APPLICABLE	34566-5023	0	C	BLUE	<table border="1"> <tr><td>72</td><td>70</td><td>68</td><td>67</td><td></td><td></td><td></td><td>63</td><td>62</td><td></td><td></td><td>59</td><td></td><td>57</td><td></td><td></td><td></td><td>53</td></tr> <tr><td>52</td><td>51</td><td></td><td>48</td><td>47</td><td>46</td><td></td><td>44</td><td></td><td>42</td><td></td><td>40</td><td>39</td><td></td><td>37</td><td>36</td><td></td><td>34</td><td>33</td></tr> <tr><td colspan="2">73</td><td>32</td><td></td><td>30</td><td></td><td></td><td></td><td>26</td><td>25</td><td>24</td><td></td><td>22</td><td>21</td><td>20</td><td></td><td></td><td></td><td></td></tr> <tr><td colspan="2"></td><td></td><td>15</td><td>14</td><td></td><td></td><td></td><td></td><td>8</td><td></td><td>6</td><td>5</td><td>4</td><td></td><td>2</td><td></td><td></td><td></td></tr> </table>	72	70	68	67				63	62			59		57				53	52	51		48	47	46		44		42		40	39		37	36		34	33	73		32		30				26	25	24		22	21	20								15	14					8		6	5	4		2								
72	70	68	67				63	62			59		57				53																																																																					
52	51		48	47	46		44		42		40	39		37	36		34	33																																																																				
73		32		30				26	25	24		22	21	20																																																																								
			15	14					8		6	5	4		2																																																																							
AVAILABLE	NOT APPLICABLE	34566-5033	0	A	BLACK	<table border="1"> <tr><td></td><td></td><td>70</td><td>69</td><td></td><td></td><td></td><td></td><td>63</td><td>62</td><td>61</td><td>60</td><td></td><td>58</td><td>57</td><td>56</td><td>55</td><td>54</td><td>53</td></tr> <tr><td>52</td><td>51</td><td></td><td>49</td><td></td><td></td><td></td><td></td><td>44</td><td>43</td><td>42</td><td>41</td><td></td><td></td><td>37</td><td>36</td><td>35</td><td>34</td><td>33</td></tr> <tr><td colspan="2">73</td><td>32</td><td></td><td></td><td>29</td><td>28</td><td>27</td><td>26</td><td>25</td><td></td><td></td><td></td><td></td><td></td><td></td><td>19</td><td>18</td><td></td></tr> <tr><td colspan="2"></td><td>16</td><td>15</td><td></td><td>13</td><td>12</td><td>11</td><td>10</td><td></td><td></td><td></td><td></td><td></td><td></td><td>3</td><td></td><td></td><td></td></tr> </table>			70	69					63	62	61	60		58	57	56	55	54	53	52	51		49					44	43	42	41			37	36	35	34	33	73		32			29	28	27	26	25							19	18				16	15		13	12	11	10							3							
		70	69					63	62	61	60		58	57	56	55	54	53																																																																				
52	51		49					44	43	42	41			37	36	35	34	33																																																																				
73		32			29	28	27	26	25							19	18																																																																					
		16	15		13	12	11	10							3																																																																							
AVAILABLE	NOT APPLICABLE	34566-5043	0	A	BLACK	<table border="1"> <tr><td></td><td></td><td></td><td></td><td></td><td></td><td></td><td></td><td></td><td></td><td></td><td></td><td></td><td></td><td></td><td></td><td></td><td></td><td></td></tr> <tr><td colspan="2">73</td><td></td><td></td><td></td><td></td><td>31</td><td></td><td></td><td></td><td></td><td></td><td></td><td></td><td></td><td></td><td></td><td></td><td></td></tr> </table>																				73						31																																																						
73						31																																																																																
AVAILABLE	NOT APPLICABLE	34566-5053	0	B	ST.GRAY	<table border="1"> <tr><td></td><td></td><td></td><td></td><td></td><td></td><td></td><td></td><td></td><td></td><td></td><td></td><td></td><td></td><td></td><td></td><td></td><td></td><td></td></tr> <tr><td colspan="2">73</td><td></td><td></td><td></td><td></td><td>47</td><td></td><td></td><td></td><td></td><td></td><td></td><td></td><td></td><td></td><td>20</td><td></td><td>17</td></tr> <tr><td colspan="2"></td><td></td><td></td><td></td><td></td><td>31</td><td></td><td></td><td></td><td></td><td></td><td></td><td></td><td></td><td></td><td></td><td></td><td>1</td></tr> </table>																				73						47										20		17							31												1																							
73						47										20		17																																																																				
						31												1																																																																				
AVAILABLE	NOT APPLICABLE	34566-5063	9	H	ST.GRAY	<table border="1"> <tr><td>80</td><td>79</td><td>78</td><td>77</td><td>76</td><td>75</td><td>74</td><td>73</td><td>72</td><td>71</td><td>70</td><td>69</td><td>68</td><td>67</td><td>66</td><td>65</td><td>64</td><td>63</td><td>62</td><td>61</td></tr> <tr><td>60</td><td>59</td><td>58</td><td>57</td><td>56</td><td>55</td><td>54</td><td>53</td><td>52</td><td>51</td><td>50</td><td>49</td><td>48</td><td>47</td><td>46</td><td>45</td><td>44</td><td>43</td><td>42</td><td>41</td></tr> <tr><td>40</td><td>39</td><td>38</td><td>37</td><td></td><td>35</td><td>34</td><td>33</td><td>32</td><td></td><td>30</td><td>29</td><td></td><td>27</td><td>26</td><td></td><td>24</td><td>23</td><td>22</td><td>21</td></tr> <tr><td>20</td><td>19</td><td>18</td><td>17</td><td></td><td></td><td>14</td><td>13</td><td>12</td><td>11</td><td>10</td><td>9</td><td>8</td><td></td><td>6</td><td>5</td><td></td><td>3</td><td>2</td><td></td></tr> </table>	80	79	78	77	76	75	74	73	72	71	70	69	68	67	66	65	64	63	62	61	60	59	58	57	56	55	54	53	52	51	50	49	48	47	46	45	44	43	42	41	40	39	38	37		35	34	33	32		30	29		27	26		24	23	22	21	20	19	18	17			14	13	12	11	10	9	8		6	5		3	2	
80	79	78	77	76	75	74	73	72	71	70	69	68	67	66	65	64	63	62	61																																																																			
60	59	58	57	56	55	54	53	52	51	50	49	48	47	46	45	44	43	42	41																																																																			
40	39	38	37		35	34	33	32		30	29		27	26		24	23	22	21																																																																			
20	19	18	17			14	13	12	11	10	9	8		6	5		3	2																																																																				
AVAILABLE	NOT APPLICABLE	34566-5073	9	A	BLACK	<table border="1"> <tr><td>72</td><td>71</td><td>70</td><td>69</td><td>68</td><td>67</td><td>66</td><td>65</td><td>64</td><td>63</td><td>62</td><td>61</td><td>60</td><td>59</td><td>58</td><td>57</td><td>56</td><td>55</td><td>54</td><td>53</td></tr> <tr><td>52</td><td>51</td><td>50</td><td>49</td><td>48</td><td>47</td><td>46</td><td>45</td><td>44</td><td>43</td><td>42</td><td>41</td><td>40</td><td>39</td><td>38</td><td>37</td><td>36</td><td></td><td>34</td><td>33</td></tr> <tr><td colspan="2">73</td><td>32</td><td>31</td><td>30</td><td>29</td><td>28</td><td>27</td><td>26</td><td></td><td>24</td><td>23</td><td>22</td><td>21</td><td>20</td><td>19</td><td>18</td><td></td><td></td><td></td></tr> <tr><td colspan="2"></td><td>16</td><td></td><td></td><td></td><td>13</td><td>12</td><td>11</td><td>10</td><td>9</td><td>8</td><td></td><td></td><td></td><td></td><td></td><td></td><td></td><td>1</td></tr> </table>	72	71	70	69	68	67	66	65	64	63	62	61	60	59	58	57	56	55	54	53	52	51	50	49	48	47	46	45	44	43	42	41	40	39	38	37	36		34	33	73		32	31	30	29	28	27	26		24	23	22	21	20	19	18						16				13	12	11	10	9	8								1
72	71	70	69	68	67	66	65	64	63	62	61	60	59	58	57	56	55	54	53																																																																			
52	51	50	49	48	47	46	45	44	43	42	41	40	39	38	37	36		34	33																																																																			
73		32	31	30	29	28	27	26		24	23	22	21	20	19	18																																																																						
		16				13	12	11	10	9	8								1																																																																			

<b>QUALITY SYMBOLS</b> ▽ = 0 ▽ = 0 ▽ = 0 ▽ = 0 ▽ = 0 ▽ = 0 ▽ = 0 ▽ = 0 ▽ = 0 ▽ = 0	THIS DRAWING CONTAINS INFORMATION THAT IS PROPRIETARY TO MOLEX ELECTRONIC TECHNOLOGIES, LLC AND SHOULD NOT BE USED WITHOUT WRITTEN PERMISSION									
	2017/04/12	2017/04/21	GENERAL TOLERANCES (UNLESS SPECIFIED)		DIMENSION UNITS	SCALE	 MX123 66/73/80CKT HRNS CONN ASSY PRODUCT CUSTOMER DRAWING			
	DRWN: TYE	CHKD: JDENG02	ANGULAR TOL ± °		MM	1:1				
	EC NO: 115716	REV: APPR: JDENG02	4 PLACES ±	SKRAJENDRANA	DATE	2011/02/14				
			3 PLACES ±	CHKD BY	DATE					
			2 PLACES ±	MVANSLAMBROU	DATE	2011/02/14				
			1 PLACE ±	APPR BY	DATE					
			0 PLACES ±	DRAWING SIZE		THIRD ANGLE PROJECTION				
			DRAFT WHERE APPLICABLE MUST REMAIN WITHIN DIMENSIONS		D					
			SERIES		MATERIAL NUMBER	CUSTOMER				
		34566		SEE BOM TABLE	GENERAL MARKET					
		DOCUMENT NUMBER		DOC TYPE	DOC PART	SHEET NUMBER				
		SD-34566-001		PSD	000	57 OF 93				







STATUS	GM PART #	MATERIAL #	WIRE DRESS OPTION	KEY OPTION	COLOR (TPA)	NUMBERS INDICATE CAVITIES OPEN FOR CIRCUITS F <sub>P</sub>																																																										
AVAILABLE	NOT APPLICABLE	34566-5383	0	C	BLUE	<table border="1"> <tr><td>72</td><td>70</td><td>68</td><td>66</td><td>63</td><td>62</td><td>59</td><td>57</td><td>53</td></tr> <tr><td>52</td><td>51</td><td>48</td><td>47</td><td>46</td><td>44</td><td>42</td><td>40</td><td>39</td><td>37</td><td>36</td><td>34</td><td>33</td></tr> <tr><td colspan="2">73</td><td>32</td><td>30</td><td>26</td><td>25</td><td>24</td><td>22</td><td>21</td><td></td><td></td><td></td><td></td></tr> <tr><td colspan="2"></td><td>15</td><td>14</td><td>10</td><td>9</td><td>8</td><td>6</td><td>5</td><td>4</td><td></td><td>2</td><td></td></tr> </table>	72	70	68	66	63	62	59	57	53	52	51	48	47	46	44	42	40	39	37	36	34	33	73		32	30	26	25	24	22	21							15	14	10	9	8	6	5	4		2											
72	70	68	66	63	62	59	57	53																																																								
52	51	48	47	46	44	42	40	39	37	36	34	33																																																				
73		32	30	26	25	24	22	21																																																								
		15	14	10	9	8	6	5	4		2																																																					
AVAILABLE	NOT APPLICABLE	34566-5393	0	A	BLACK	<table border="1"> <tr><td>70</td><td>69</td><td>63</td><td>56</td><td>55</td><td>54</td><td>53</td></tr> <tr><td>52</td><td>51</td><td>49</td><td>44</td><td>43</td><td>42</td><td>41</td><td>36</td><td>34</td></tr> <tr><td colspan="2">73</td><td>32</td><td>28</td><td>26</td><td>23</td><td>21</td><td>19</td><td>18</td></tr> <tr><td colspan="2"></td><td>16</td><td>12</td><td>10</td><td>8</td><td>5</td><td>3</td><td></td></tr> </table>	70	69	63	56	55	54	53	52	51	49	44	43	42	41	36	34	73		32	28	26	23	21	19	18			16	12	10	8	5	3																									
70	69	63	56	55	54	53																																																										
52	51	49	44	43	42	41	36	34																																																								
73		32	28	26	23	21	19	18																																																								
		16	12	10	8	5	3																																																									
AVAILABLE	NOT APPLICABLE	34566-5413	0	A	BLACK	<table border="1"> <tr><td>70</td><td>69</td><td>63</td><td>56</td><td>55</td><td>54</td><td>53</td></tr> <tr><td>52</td><td>51</td><td>49</td><td>44</td><td>43</td><td>42</td><td>41</td><td>36</td><td>34</td></tr> <tr><td colspan="2">73</td><td>32</td><td>28</td><td>26</td><td>23</td><td>21</td><td>19</td><td>18</td></tr> <tr><td colspan="2"></td><td>16</td><td>15</td><td>12</td><td>10</td><td>8</td><td>5</td><td>3</td></tr> </table>	70	69	63	56	55	54	53	52	51	49	44	43	42	41	36	34	73		32	28	26	23	21	19	18			16	15	12	10	8	5	3																								
70	69	63	56	55	54	53																																																										
52	51	49	44	43	42	41	36	34																																																								
73		32	28	26	23	21	19	18																																																								
		16	15	12	10	8	5	3																																																								
AVAILABLE <sup>B</sup>	NOT APPLICABLE	34566-5423	0	A	BLACK	<table border="1"> <tr><td>70</td><td>69</td><td>63</td><td>58</td><td>56</td><td>55</td><td>54</td><td>53</td></tr> <tr><td>52</td><td>51</td><td>49</td><td>44</td><td>43</td><td>42</td><td>41</td><td>36</td><td>34</td></tr> <tr><td colspan="2">73</td><td>32</td><td>28</td><td>26</td><td></td><td></td><td>19</td><td>18</td></tr> <tr><td colspan="2"></td><td>16</td><td>12</td><td>10</td><td></td><td></td><td>3</td><td></td></tr> </table>	70	69	63	58	56	55	54	53	52	51	49	44	43	42	41	36	34	73		32	28	26			19	18			16	12	10			3																								
70	69	63	58	56	55	54	53																																																									
52	51	49	44	43	42	41	36	34																																																								
73		32	28	26			19	18																																																								
		16	12	10			3																																																									
AVAILABLE	NOT APPLICABLE	34566-5433	9	B	ST.GRAY	<table border="1"> <tr><td>68</td><td>67</td><td>64</td><td>59</td><td>58</td><td>54</td></tr> <tr><td></td><td>46</td><td>45</td><td>39</td><td>38</td><td></td></tr> <tr><td colspan="2">73</td><td>32</td><td>30</td><td>29</td><td>28</td><td>27</td><td>23</td><td>22</td><td>17</td></tr> <tr><td colspan="2"></td><td></td><td></td><td>10</td><td></td><td></td><td>6</td><td></td><td>1</td></tr> </table>	68	67	64	59	58	54		46	45	39	38		73		32	30	29	28	27	23	22	17					10			6		1																										
68	67	64	59	58	54																																																											
	46	45	39	38																																																												
73		32	30	29	28	27	23	22	17																																																							
				10			6		1																																																							
AVAILABLE <sup>B</sup>	NOT APPLICABLE <sup>B</sup>	34566-5443	9	B	ST.GRAY	<table border="1"> <tr><td>68</td><td>67</td><td>64</td><td>59</td><td>58</td><td>54</td></tr> <tr><td></td><td>46</td><td>45</td><td>39</td><td>38</td><td></td></tr> <tr><td colspan="2">73</td><td>32</td><td>30</td><td>29</td><td>28</td><td>27</td><td>23</td><td>22</td><td>17</td></tr> <tr><td colspan="2"></td><td>15</td><td>13</td><td>10</td><td></td><td></td><td>6</td><td></td><td>1</td></tr> </table>	68	67	64	59	58	54		46	45	39	38		73		32	30	29	28	27	23	22	17			15	13	10			6		1																										
68	67	64	59	58	54																																																											
	46	45	39	38																																																												
73		32	30	29	28	27	23	22	17																																																							
		15	13	10			6		1																																																							
AVAILABLE	NOT APPLICABLE	34566-5453	0	B	ST.GRAY	<table border="1"> <tr><td>68</td><td>67</td><td>64</td><td>59</td><td>58</td><td>54</td></tr> <tr><td></td><td>46</td><td>45</td><td>39</td><td>38</td><td></td></tr> <tr><td colspan="2">73</td><td>32</td><td>30</td><td>29</td><td>28</td><td>27</td><td>23</td><td>22</td><td>17</td></tr> <tr><td colspan="2"></td><td>15</td><td>13</td><td>10</td><td></td><td></td><td>6</td><td></td><td>1</td></tr> </table>	68	67	64	59	58	54		46	45	39	38		73		32	30	29	28	27	23	22	17			15	13	10			6		1																										
68	67	64	59	58	54																																																											
	46	45	39	38																																																												
73		32	30	29	28	27	23	22	17																																																							
		15	13	10			6		1																																																							
AVAILABLE	NOT APPLICABLE	34566-5463	0	A	BLACK	<table border="1"> <tr><td>72</td><td>70</td><td>63</td><td>60</td><td>59</td><td>56</td><td>53</td></tr> <tr><td>52</td><td>49</td><td>41</td><td>40</td><td>23</td><td>20</td><td>19</td></tr> <tr><td colspan="2">73</td><td>31</td><td>30</td><td>28</td><td>27</td><td>26</td><td>25</td><td>24</td><td>23</td><td>20</td><td>19</td><td>17</td></tr> <tr><td colspan="2"></td><td>16</td><td>15</td><td>14</td><td>12</td><td>10</td><td>6</td><td></td><td></td><td></td><td></td><td></td></tr> </table>	72	70	63	60	59	56	53	52	49	41	40	23	20	19	73		31	30	28	27	26	25	24	23	20	19	17			16	15	14	12	10	6																							
72	70	63	60	59	56	53																																																										
52	49	41	40	23	20	19																																																										
73		31	30	28	27	26	25	24	23	20	19	17																																																				
		16	15	14	12	10	6																																																									
AVAILABLE	NOT APPLICABLE	34566-5473	0	A	BLACK	<table border="1"> <tr><td>72</td><td>71</td><td>70</td><td>68</td><td>67</td><td>66</td><td>65</td><td>64</td><td>63</td><td>62</td><td>60</td><td>59</td><td>56</td><td>53</td></tr> <tr><td>52</td><td>51</td><td>48</td><td>47</td><td>46</td><td>45</td><td>44</td><td>43</td><td>42</td><td>41</td><td>40</td><td></td><td></td><td></td></tr> <tr><td colspan="2">73</td><td>31</td><td>30</td><td>29</td><td>28</td><td>27</td><td>26</td><td>25</td><td>24</td><td>23</td><td></td><td>20</td><td>19</td><td>17</td></tr> <tr><td colspan="2"></td><td>16</td><td>15</td><td>14</td><td>12</td><td>11</td><td>10</td><td></td><td></td><td>6</td><td></td><td></td><td></td><td></td></tr> </table>	72	71	70	68	67	66	65	64	63	62	60	59	56	53	52	51	48	47	46	45	44	43	42	41	40				73		31	30	29	28	27	26	25	24	23		20	19	17			16	15	14	12	11	10			6				
72	71	70	68	67	66	65	64	63	62	60	59	56	53																																																			
52	51	48	47	46	45	44	43	42	41	40																																																						
73		31	30	29	28	27	26	25	24	23		20	19	17																																																		
		16	15	14	12	11	10			6																																																						

<b>QUALITY SYMBOLS</b> = 0 = 0 = 0 = 0 = 0 = 0 = 0 = 0 = 0	THIS DRAWING CONTAINS INFORMATION THAT IS PROPRIETARY TO MOLEX ELECTRONIC TECHNOLOGIES, LLC AND SHOULD NOT BE USED WITHOUT WRITTEN PERMISSION									
	2017/04/12	2017/04/21	GENERAL TOLERANCES (UNLESS SPECIFIED)		DIMENSION UNITS	SCALE				
	EC NO: 115716	DRWN: TYE	ANGULAR TOL ± °		MM	1:1				
	CHKD:	JDENG02	4 PLACES ±	SKRAJENDRANA	DATE	2011/02/14				
	REV:		3 PLACES ±	CHKD BY	DATE					
			2 PLACES ±	MVANSLAMBROU	DATE	2011/02/14				
			1 PLACE ±	APPR BY	DATE					
			0 PLACES ±	DRAFT WHERE APPLICABLE MUST REMAIN WITHIN DIMENSIONS						
			DRAWING SIZE	THIRD ANGLE PROJECTION						
			D							
RELEASE STATUS		RELEASE DATE		SERIES		MATERIAL NUMBER		CUSTOMER		
				34566		SEE BOM TABLE		GENERAL MARKET		
DOCUMENT NUMBER				DOC TYPE		DOC PART		SHEET NUMBER		
SD-34566-001				PSD		000		61 OF 93		

STATUS	GM PART #	MATERIAL #	WIRE DRESS OPTION	KEY OPTION	COLOR (TPA)	NUMBERS INDICATE CAVITIES OPEN FOR CIRCUITS F <sub>p</sub>																																																																	
AVAILABLE	NOT APPLICABLE	34566-5483	0	B	ST.GRAY	<table border="1"> <tr><td>72</td><td>70</td><td>68</td><td>66</td><td>64</td><td>63</td><td>60</td><td>59</td><td>55</td><td>54</td><td>53</td></tr> <tr><td>52</td><td>50</td><td>48</td><td>46</td><td></td><td></td><td>40</td><td>39</td><td>35</td><td>34</td><td>33</td></tr> <tr><td colspan="2">73</td><td>32</td><td>31</td><td>30</td><td>29</td><td>28</td><td>27</td><td>26</td><td>25</td><td>24</td><td>20</td><td>17</td></tr> <tr><td colspan="2"></td><td>16</td><td></td><td></td><td></td><td>10</td><td>8</td><td>5</td><td>4</td><td>2</td><td>1</td><td></td></tr> </table>	72	70	68	66	64	63	60	59	55	54	53	52	50	48	46			40	39	35	34	33	73		32	31	30	29	28	27	26	25	24	20	17			16				10	8	5	4	2	1																		
72	70	68	66	64	63	60	59	55	54	53																																																													
52	50	48	46			40	39	35	34	33																																																													
73		32	31	30	29	28	27	26	25	24	20	17																																																											
		16				10	8	5	4	2	1																																																												
AVAILABLE	NOT APPLICABLE	34566-5493	0	A	BLACK	<table border="1"> <tr><td>72</td><td>70</td><td>69</td><td></td><td></td><td></td><td>63</td><td>60</td><td>59</td><td>58</td><td>57</td><td>56</td><td>55</td><td>54</td><td>53</td></tr> <tr><td>52</td><td>51</td><td>49</td><td></td><td></td><td></td><td>44</td><td>43</td><td>42</td><td>41</td><td>40</td><td>37</td><td>36</td><td>34</td><td></td></tr> <tr><td colspan="2">73</td><td>32</td><td></td><td></td><td>28</td><td>26</td><td></td><td></td><td></td><td></td><td>19</td><td>18</td><td>17</td><td></td></tr> <tr><td colspan="2"></td><td>16</td><td>15</td><td></td><td>12</td><td>10</td><td></td><td></td><td></td><td></td><td>3</td><td>2</td><td>1</td><td></td></tr> </table>	72	70	69				63	60	59	58	57	56	55	54	53	52	51	49				44	43	42	41	40	37	36	34		73		32			28	26					19	18	17				16	15		12	10					3	2	1						
72	70	69				63	60	59	58	57	56	55	54	53																																																									
52	51	49				44	43	42	41	40	37	36	34																																																										
73		32			28	26					19	18	17																																																										
		16	15		12	10					3	2	1																																																										
AVAILABLE	NOT APPLICABLE	34566-5513	9	B	ST.GRAY	<table border="1"> <tr><td></td><td></td><td>68</td><td>67</td><td></td><td>64</td><td>63</td><td></td><td></td><td>58</td><td></td><td>55</td><td></td><td></td><td></td></tr> <tr><td></td><td></td><td></td><td></td><td>46</td><td>45</td><td>43</td><td></td><td></td><td>38</td><td></td><td>35</td><td></td><td></td><td></td></tr> <tr><td colspan="2">73</td><td>32</td><td>30</td><td>29</td><td>28</td><td>27</td><td></td><td></td><td>22</td><td></td><td>19</td><td></td><td>17</td><td></td></tr> <tr><td colspan="2"></td><td></td><td></td><td></td><td></td><td>10</td><td></td><td></td><td></td><td></td><td></td><td></td><td></td><td>1</td></tr> </table>			68	67		64	63			58		55								46	45	43			38		35				73		32	30	29	28	27			22		19		17								10								1					
		68	67		64	63			58		55																																																												
				46	45	43			38		35																																																												
73		32	30	29	28	27			22		19		17																																																										
						10								1																																																									
AVAILABLE	NOT APPLICABLE	34566-5523	9	A	BLACK	<table border="1"> <tr><td>72</td><td></td><td>69</td><td>67</td><td>66</td><td>65</td><td>63</td><td>60</td><td></td><td>57</td><td>56</td><td></td><td></td><td>53</td><td></td></tr> <tr><td></td><td></td><td>49</td><td>47</td><td></td><td>44</td><td>43</td><td>42</td><td>40</td><td>37</td><td>36</td><td>35</td><td></td><td>33</td><td></td></tr> <tr><td colspan="2">73</td><td></td><td>31</td><td>30</td><td>29</td><td>28</td><td>27</td><td>26</td><td>24</td><td></td><td>21</td><td>20</td><td></td><td>17</td></tr> <tr><td colspan="2"></td><td></td><td>16</td><td>15</td><td>14</td><td>13</td><td></td><td>11</td><td>10</td><td></td><td>5</td><td>4</td><td>3</td><td>2</td><td>1</td></tr> </table>	72		69	67	66	65	63	60		57	56			53				49	47		44	43	42	40	37	36	35		33		73			31	30	29	28	27	26	24		21	20		17				16	15	14	13		11	10		5	4	3	2	1				
72		69	67	66	65	63	60		57	56			53																																																										
		49	47		44	43	42	40	37	36	35		33																																																										
73			31	30	29	28	27	26	24		21	20		17																																																									
			16	15	14	13		11	10		5	4	3	2	1																																																								
AVAILABLE	NOT APPLICABLE	34566-5533	9	B	ST.GRAY	<table border="1"> <tr><td></td><td></td><td>68</td><td>67</td><td></td><td>64</td><td></td><td></td><td>59</td><td>58</td><td></td><td></td><td></td><td>54</td><td></td></tr> <tr><td></td><td></td><td></td><td></td><td>46</td><td>45</td><td></td><td></td><td>39</td><td>38</td><td></td><td></td><td></td><td></td><td></td></tr> <tr><td colspan="2">73</td><td>32</td><td>30</td><td>29</td><td>28</td><td>27</td><td></td><td>23</td><td>22</td><td></td><td></td><td></td><td></td><td>17</td></tr> <tr><td colspan="2"></td><td></td><td></td><td></td><td></td><td>10</td><td>9</td><td>8</td><td>6</td><td></td><td></td><td></td><td></td><td>1</td></tr> </table>			68	67		64			59	58				54						46	45			39	38						73		32	30	29	28	27		23	22					17							10	9	8	6					1					
		68	67		64			59	58				54																																																										
				46	45			39	38																																																														
73		32	30	29	28	27		23	22					17																																																									
						10	9	8	6					1																																																									
AVAILABLE	NOT APPLICABLE	34566-5543	9	A	BLACK	<table border="1"> <tr><td></td><td></td><td>68</td><td>67</td><td></td><td>64</td><td></td><td></td><td>59</td><td>58</td><td></td><td></td><td></td><td>54</td><td></td></tr> <tr><td></td><td></td><td></td><td></td><td>46</td><td>45</td><td></td><td></td><td>39</td><td>38</td><td></td><td></td><td></td><td></td><td></td></tr> <tr><td colspan="2">73</td><td>32</td><td>30</td><td>29</td><td>28</td><td>27</td><td></td><td>23</td><td>22</td><td></td><td></td><td></td><td></td><td>17</td></tr> <tr><td colspan="2"></td><td></td><td></td><td></td><td>12</td><td>10</td><td></td><td>8</td><td>6</td><td></td><td></td><td></td><td></td><td>1</td></tr> </table>			68	67		64			59	58				54						46	45			39	38						73		32	30	29	28	27		23	22					17						12	10		8	6					1					
		68	67		64			59	58				54																																																										
				46	45			39	38																																																														
73		32	30	29	28	27		23	22					17																																																									
					12	10		8	6					1																																																									
AVAILABLE	NOT APPLICABLE	34566-5553	9	B	ST.GRAY	<table border="1"> <tr><td></td><td></td><td>68</td><td>67</td><td></td><td>64</td><td></td><td></td><td>59</td><td>58</td><td></td><td></td><td></td><td>54</td><td></td></tr> <tr><td></td><td></td><td></td><td></td><td>46</td><td>45</td><td></td><td></td><td>39</td><td>38</td><td></td><td></td><td></td><td></td><td></td></tr> <tr><td colspan="2">73</td><td>32</td><td>30</td><td>29</td><td>28</td><td>27</td><td></td><td>23</td><td>22</td><td></td><td></td><td></td><td></td><td>17</td></tr> <tr><td colspan="2"></td><td></td><td></td><td></td><td>12</td><td>10</td><td></td><td>8</td><td>6</td><td></td><td></td><td></td><td></td><td>1</td></tr> </table>			68	67		64			59	58				54						46	45			39	38						73		32	30	29	28	27		23	22					17						12	10		8	6					1					
		68	67		64			59	58				54																																																										
				46	45			39	38																																																														
73		32	30	29	28	27		23	22					17																																																									
					12	10		8	6					1																																																									
AVAILABLE	NOT APPLICABLE	34566-5563	0	A	BLACK	<table border="1"> <tr><td>72</td><td>71</td><td>70</td><td>69</td><td></td><td></td><td>64</td><td>63</td><td>60</td><td>59</td><td>58</td><td>57</td><td>56</td><td>55</td><td>54</td><td>53</td></tr> <tr><td>52</td><td>51</td><td></td><td>49</td><td>48</td><td>47</td><td>45</td><td>44</td><td>43</td><td>42</td><td>41</td><td></td><td>37</td><td>36</td><td></td><td>34</td><td>33</td></tr> <tr><td colspan="2">73</td><td></td><td></td><td>32</td><td></td><td>30</td><td>28</td><td>26</td><td></td><td></td><td></td><td></td><td>19</td><td>18</td><td>17</td></tr> <tr><td colspan="2"></td><td></td><td></td><td>16</td><td>15</td><td></td><td>12</td><td>10</td><td></td><td></td><td></td><td></td><td>3</td><td>2</td><td>1</td></tr> </table>	72	71	70	69			64	63	60	59	58	57	56	55	54	53	52	51		49	48	47	45	44	43	42	41		37	36		34	33	73				32		30	28	26					19	18	17					16	15		12	10					3	2	1
72	71	70	69			64	63	60	59	58	57	56	55	54	53																																																								
52	51		49	48	47	45	44	43	42	41		37	36		34	33																																																							
73				32		30	28	26					19	18	17																																																								
				16	15		12	10					3	2	1																																																								
AVAILABLE	NOT APPLICABLE	34566-5573	0	C	BLUE	<table border="1"> <tr><td>72</td><td>70</td><td>68</td><td>66</td><td></td><td>63</td><td>62</td><td>59</td><td>58</td><td>57</td><td>56</td><td>55</td><td></td><td>53</td><td></td></tr> <tr><td>52</td><td>51</td><td>49</td><td>48</td><td>47</td><td>46</td><td>44</td><td>42</td><td>40</td><td>39</td><td>38</td><td>37</td><td>36</td><td></td><td>34</td><td>33</td></tr> <tr><td colspan="2">73</td><td></td><td>32</td><td></td><td>30</td><td></td><td>26</td><td>25</td><td>24</td><td>23</td><td>22</td><td>21</td><td>20</td><td>19</td><td>18</td><td>17</td></tr> <tr><td colspan="2"></td><td></td><td></td><td>15</td><td>14</td><td>13</td><td></td><td>10</td><td>9</td><td>8</td><td>7</td><td>6</td><td>5</td><td>4</td><td>2</td><td>1</td></tr> </table>	72	70	68	66		63	62	59	58	57	56	55		53		52	51	49	48	47	46	44	42	40	39	38	37	36		34	33	73			32		30		26	25	24	23	22	21	20	19	18	17					15	14	13		10	9	8	7	6	5	4	2	1
72	70	68	66		63	62	59	58	57	56	55		53																																																										
52	51	49	48	47	46	44	42	40	39	38	37	36		34	33																																																								
73			32		30		26	25	24	23	22	21	20	19	18	17																																																							
				15	14	13		10	9	8	7	6	5	4	2	1																																																							

<b>QUALITY SYMBOLS</b> = 0 = 0 = 0 = 0 = 0 = 0 = 0 = 0 = 0	THIS DRAWING CONTAINS INFORMATION THAT IS PROPRIETARY TO MOLEX ELECTRONIC TECHNOLOGIES, LLC AND SHOULD NOT BE USED WITHOUT WRITTEN PERMISSION																
	2017/04/12	2017/04/21	GENERAL TOLERANCES (UNLESS SPECIFIED)		DIMENSION UNITS	SCALE											
	MM	1:1	ANGULAR TOL ± °		DRWN BY	DATE											
	4 PLACES ±	SKRAJENDRANA	2011/02/14	CHKD BY	DATE												
	3 PLACES ±	MVANSLAMBROU	2011/02/14	APPR BY	DATE												
	2 PLACES ±	DRAWING SIZE		THIRD ANGLE PROJECTION													
	1 PLACE ±	D															
	0 PLACES ±	DRAFT WHERE APPLICABLE MUST REMAIN WITHIN DIMENSIONS															
	EC NO: 115716		DRWN: TYE		CHKD: JDENG02						REV: APPR: JDENG02		G50				
	SERIES		MATERIAL NUMBER		CUSTOMER						DOCUMENT NUMBER		DOC TYPE		DOC PART		SHEET NUMBER
34566		SEE BOM TABLE		GENERAL MARKET		SD-34566-001					PSD		000		62 OF 93		



STATUS	GM PART #	MATERIAL #	WIRE DRESS OPTION	KEY OPTION	COLOR (TPA)	NUMBERS INDICATE CAVITIES OPEN FOR CIRCUITS F <sub>P</sub>																																																																		
AVAILABLE	NOT APPLICABLE	34566-5583	0	B	ST.GRAY	<table border="1"> <tr><td>72</td><td>70</td><td>68</td><td>66</td><td>64</td><td>63</td><td>60</td><td>59</td><td>55</td><td>54</td><td>53</td></tr> <tr><td>52</td><td>50</td><td>48</td><td>46</td><td></td><td></td><td>40</td><td>39</td><td>35</td><td>34</td><td>33</td></tr> <tr><td colspan="2">73</td><td>32</td><td>31</td><td>30</td><td>29</td><td>28</td><td>27</td><td>26</td><td>25</td><td>24</td><td>23</td><td>20</td><td>17</td></tr> <tr><td colspan="2"></td><td>16</td><td></td><td></td><td></td><td>10</td><td>8</td><td>7</td><td>5</td><td>4</td><td>2</td><td>1</td><td></td></tr> </table>	72	70	68	66	64	63	60	59	55	54	53	52	50	48	46			40	39	35	34	33	73		32	31	30	29	28	27	26	25	24	23	20	17			16				10	8	7	5	4	2	1																	
72	70	68	66	64	63	60	59	55	54	53																																																														
52	50	48	46			40	39	35	34	33																																																														
73		32	31	30	29	28	27	26	25	24	23	20	17																																																											
		16				10	8	7	5	4	2	1																																																												
AVAILABLE	NOT APPLICABLE	34566-5593	0	C	BLUE	<table border="1"> <tr><td>72</td><td>70</td><td>68</td><td>66</td><td></td><td>63</td><td>62</td><td>59</td><td>57</td><td>55</td><td>53</td></tr> <tr><td>52</td><td>51</td><td>48</td><td>47</td><td>46</td><td>44</td><td>42</td><td>40</td><td>39</td><td></td><td>34</td><td>33</td></tr> <tr><td colspan="2">73</td><td>32</td><td>30</td><td></td><td></td><td>26</td><td>25</td><td>23</td><td>22</td><td>21</td><td></td><td></td><td></td></tr> <tr><td colspan="2"></td><td>15</td><td>14</td><td></td><td></td><td>10</td><td>9</td><td>7</td><td>6</td><td>5</td><td>4</td><td></td><td></td></tr> </table>	72	70	68	66		63	62	59	57	55	53	52	51	48	47	46	44	42	40	39		34	33	73		32	30			26	25	23	22	21						15	14			10	9	7	6	5	4																	
72	70	68	66		63	62	59	57	55	53																																																														
52	51	48	47	46	44	42	40	39		34	33																																																													
73		32	30			26	25	23	22	21																																																														
		15	14			10	9	7	6	5	4																																																													
AVAILABLE	NOT APPLICABLE	34566-5613	0	C	BLUE	<table border="1"> <tr><td>72</td><td>70</td><td>68</td><td></td><td></td><td>63</td><td>62</td><td>59</td><td>58</td><td>57</td><td></td><td>53</td></tr> <tr><td>52</td><td>51</td><td>48</td><td>47</td><td></td><td>44</td><td>42</td><td>40</td><td>39</td><td>37</td><td>36</td><td>34</td><td>33</td></tr> <tr><td colspan="2">73</td><td>32</td><td>30</td><td></td><td>27</td><td>26</td><td>25</td><td>24</td><td>23</td><td>22</td><td>21</td><td>20</td><td>17</td></tr> <tr><td colspan="2"></td><td>15</td><td>14</td><td>13</td><td></td><td></td><td>8</td><td>7</td><td>6</td><td>5</td><td>4</td><td>2</td><td>1</td></tr> </table>	72	70	68			63	62	59	58	57		53	52	51	48	47		44	42	40	39	37	36	34	33	73		32	30		27	26	25	24	23	22	21	20	17			15	14	13			8	7	6	5	4	2	1													
72	70	68			63	62	59	58	57		53																																																													
52	51	48	47		44	42	40	39	37	36	34	33																																																												
73		32	30		27	26	25	24	23	22	21	20	17																																																											
		15	14	13			8	7	6	5	4	2	1																																																											
AVAILABLE	NOT APPLICABLE	34566-5623	0	C	BLUE	<table border="1"> <tr><td>72</td><td>70</td><td>68</td><td></td><td></td><td>63</td><td>62</td><td>59</td><td>57</td><td></td><td>53</td></tr> <tr><td>52</td><td>51</td><td>48</td><td>47</td><td></td><td>44</td><td>42</td><td>40</td><td>39</td><td>37</td><td>36</td><td>34</td><td>33</td></tr> <tr><td colspan="2">73</td><td>32</td><td>30</td><td></td><td>27</td><td>26</td><td>25</td><td>24</td><td>23</td><td>22</td><td>21</td><td>20</td><td></td></tr> <tr><td colspan="2"></td><td>15</td><td>14</td><td>13</td><td></td><td></td><td>8</td><td>7</td><td>6</td><td>5</td><td>4</td><td>2</td><td></td></tr> </table>	72	70	68			63	62	59	57		53	52	51	48	47		44	42	40	39	37	36	34	33	73		32	30		27	26	25	24	23	22	21	20				15	14	13			8	7	6	5	4	2															
72	70	68			63	62	59	57		53																																																														
52	51	48	47		44	42	40	39	37	36	34	33																																																												
73		32	30		27	26	25	24	23	22	21	20																																																												
		15	14	13			8	7	6	5	4	2																																																												
AVAILABLE	NOT APPLICABLE	34566-5633	0	B	ST.GRAY	<table border="1"> <tr><td>72</td><td></td><td></td><td></td><td></td><td></td><td>62</td><td>61</td><td></td><td></td><td></td><td></td><td></td><td></td></tr> <tr><td>52</td><td></td><td></td><td>48</td><td>46</td><td>44</td><td>43</td><td>41</td><td>40</td><td></td><td></td><td></td><td></td><td></td></tr> <tr><td colspan="2">73</td><td></td><td></td><td>30</td><td></td><td></td><td></td><td></td><td></td><td></td><td>20</td><td>19</td><td>18</td></tr> <tr><td colspan="2"></td><td>16</td><td>15</td><td>14</td><td></td><td></td><td></td><td></td><td></td><td></td><td>4</td><td></td><td></td></tr> </table>	72						62	61							52			48	46	44	43	41	40						73				30							20	19	18			16	15	14							4												
72						62	61																																																																	
52			48	46	44	43	41	40																																																																
73				30							20	19	18																																																											
		16	15	14							4																																																													
AVAILABLE	NOT APPLICABLE	34566-5643	0	B	ST.GRAY	<table border="1"> <tr><td>72</td><td></td><td></td><td></td><td></td><td></td><td>62</td><td>61</td><td></td><td></td><td></td><td></td><td></td><td></td></tr> <tr><td>52</td><td></td><td></td><td>48</td><td>46</td><td></td><td>43</td><td>41</td><td>40</td><td></td><td></td><td></td><td></td><td></td></tr> <tr><td colspan="2">73</td><td></td><td></td><td>30</td><td></td><td></td><td></td><td></td><td></td><td></td><td>20</td><td>19</td><td>18</td></tr> <tr><td colspan="2"></td><td>16</td><td>15</td><td>14</td><td></td><td></td><td></td><td></td><td></td><td></td><td>4</td><td></td><td></td></tr> </table>	72						62	61							52			48	46		43	41	40						73				30							20	19	18			16	15	14							4												
72						62	61																																																																	
52			48	46		43	41	40																																																																
73				30							20	19	18																																																											
		16	15	14							4																																																													
AVAILABLE	NOT APPLICABLE	34566-5653	0	A	BLACK	<table border="1"> <tr><td>72</td><td>71</td><td>70</td><td>69</td><td>68</td><td>66</td><td>65</td><td>64</td><td>63</td><td>61</td><td>60</td><td>57</td><td>56</td><td>54</td><td>53</td></tr> <tr><td>52</td><td>51</td><td>50</td><td>49</td><td>48</td><td>46</td><td>45</td><td>44</td><td>43</td><td></td><td>40</td><td>39</td><td>38</td><td>37</td><td>36</td><td>34</td><td>33</td></tr> <tr><td colspan="2">73</td><td></td><td>32</td><td>31</td><td>30</td><td>29</td><td>28</td><td></td><td>26</td><td>25</td><td>23</td><td>22</td><td>21</td><td></td><td>17</td><td></td></tr> <tr><td colspan="2"></td><td></td><td>15</td><td>14</td><td>13</td><td>12</td><td></td><td></td><td>9</td><td>7</td><td>6</td><td>5</td><td></td><td></td><td>2</td><td></td></tr> </table>	72	71	70	69	68	66	65	64	63	61	60	57	56	54	53	52	51	50	49	48	46	45	44	43		40	39	38	37	36	34	33	73			32	31	30	29	28		26	25	23	22	21		17					15	14	13	12			9	7	6	5			2	
72	71	70	69	68	66	65	64	63	61	60	57	56	54	53																																																										
52	51	50	49	48	46	45	44	43		40	39	38	37	36	34	33																																																								
73			32	31	30	29	28		26	25	23	22	21		17																																																									
			15	14	13	12			9	7	6	5			2																																																									
AVAILABLE	NOT APPLICABLE	34566-5663	0	C	BLUE	<table border="1"> <tr><td></td><td></td><td>69</td><td>67</td><td>66</td><td>64</td><td>62</td><td>60</td><td></td><td>57</td><td>55</td><td>54</td><td></td><td></td></tr> <tr><td>52</td><td>51</td><td>50</td><td>48</td><td>46</td><td>45</td><td>44</td><td>42</td><td></td><td>37</td><td>35</td><td>34</td><td>33</td><td></td></tr> <tr><td colspan="2">73</td><td></td><td>32</td><td>31</td><td></td><td>28</td><td>27</td><td>26</td><td></td><td></td><td>19</td><td>18</td><td></td></tr> <tr><td colspan="2"></td><td></td><td>16</td><td>15</td><td>14</td><td>13</td><td>12</td><td>11</td><td>10</td><td>9</td><td></td><td></td><td></td></tr> </table>			69	67	66	64	62	60		57	55	54			52	51	50	48	46	45	44	42		37	35	34	33		73			32	31		28	27	26			19	18					16	15	14	13	12	11	10	9													
		69	67	66	64	62	60		57	55	54																																																													
52	51	50	48	46	45	44	42		37	35	34	33																																																												
73			32	31		28	27	26			19	18																																																												
			16	15	14	13	12	11	10	9																																																														
AVAILABLE	NOT APPLICABLE	34566-5673	0	C	BLUE	<table border="1"> <tr><td></td><td></td><td>69</td><td>67</td><td>66</td><td>64</td><td>61</td><td>60</td><td></td><td>57</td><td></td><td>54</td><td></td><td></td></tr> <tr><td>52</td><td>51</td><td>50</td><td>49</td><td>48</td><td>46</td><td>45</td><td>44</td><td></td><td>41</td><td></td><td>37</td><td></td><td>34</td><td>33</td></tr> <tr><td colspan="2">73</td><td></td><td>32</td><td>31</td><td></td><td>28</td><td>27</td><td>25</td><td></td><td></td><td></td><td></td><td>18</td><td></td></tr> <tr><td colspan="2"></td><td></td><td>16</td><td>15</td><td>14</td><td>13</td><td>12</td><td>11</td><td>10</td><td>9</td><td></td><td></td><td></td><td></td></tr> </table>			69	67	66	64	61	60		57		54			52	51	50	49	48	46	45	44		41		37		34	33	73			32	31		28	27	25					18					16	15	14	13	12	11	10	9											
		69	67	66	64	61	60		57		54																																																													
52	51	50	49	48	46	45	44		41		37		34	33																																																										
73			32	31		28	27	25					18																																																											
			16	15	14	13	12	11	10	9																																																														

<b>QUALITY SYMBOLS</b> = 0 = 0 = 0 = 0 = 0 = 0 = 0 = 0 = 0	THIS DRAWING CONTAINS INFORMATION THAT IS PROPRIETARY TO MOLEX ELECTRONIC TECHNOLOGIES, LLC AND SHOULD NOT BE USED WITHOUT WRITTEN PERMISSION										
	2017/04/12	2017/04/21	GENERAL TOLERANCES (UNLESS SPECIFIED)		DIMENSION UNITS	SCALE					
	EC NO: 115716 DRWN: TYE CHKD: REV APPR: JDENG02	ANGULAR TOL ± °		MM	1:1						
		4 PLACES ±	SKRAJENDRANA	2011/02/14							
		3 PLACES ±	CHKD BY	DATE							
		2 PLACES ±	MVANSLAMBROU	2011/02/14							
		1 PLACE ±	APPR BY	DATE							
	0 PLACES ±	DRAFT WHERE APPLICABLE MUST REMAIN WITHIN DIMENSIONS		DRAWING SIZE	THIRD ANGLE PROJECTION						
	G50	D			SERIES	MATERIAL NUMBER					CUSTOMER
	SD-34566-001		PSD	000	63 OF 93						



STATUS	GM PART #	MATERIAL #	WIRE DRESS OPTION	KEY OPTION	COLOR (TPA)	NUMBERS INDICATE CAVITIES OPEN FOR CIRCUITS F <sub>P</sub>																																																																								
AVAILABLE	NOT APPLICABLE	34566-5783	0	C	BLUE	<table border="1"> <tr><td>72</td><td>70</td><td>68</td><td></td><td></td><td></td><td>63</td><td>62</td><td></td><td></td><td>59</td><td>57</td><td></td><td></td><td>53</td></tr> <tr><td>52</td><td>51</td><td>48</td><td>47</td><td></td><td>44</td><td>42</td><td>40</td><td>39</td><td></td><td>37</td><td>36</td><td></td><td>34</td><td>33</td></tr> <tr><td colspan="2">73</td><td>32</td><td>30</td><td></td><td>27</td><td>26</td><td>25</td><td>24</td><td></td><td>22</td><td>21</td><td>20</td><td></td><td></td></tr> <tr><td colspan="2"></td><td>15</td><td>14</td><td>13</td><td></td><td></td><td></td><td>8</td><td></td><td>6</td><td>5</td><td>4</td><td></td><td>2</td></tr> </table>	72	70	68				63	62			59	57			53	52	51	48	47		44	42	40	39		37	36		34	33	73		32	30		27	26	25	24		22	21	20					15	14	13				8		6	5	4		2												
72	70	68				63	62			59	57			53																																																																
52	51	48	47		44	42	40	39		37	36		34	33																																																																
73		32	30		27	26	25	24		22	21	20																																																																		
		15	14	13				8		6	5	4		2																																																																
G28 AVAILABLE	NOT APPLICABLE	34566-5793 SAME AS P/N 34566-4013	0	B	ST.GRAY	<table border="1"> <tr><td>72</td><td>70</td><td>68</td><td>66</td><td></td><td></td><td></td><td></td><td></td><td>60</td><td>59</td><td></td><td></td><td>55</td><td>54</td><td>53</td></tr> <tr><td>52</td><td>50</td><td>48</td><td>46</td><td></td><td></td><td></td><td></td><td></td><td>40</td><td>39</td><td></td><td></td><td>35</td><td>34</td><td>33</td></tr> <tr><td colspan="2">73</td><td>32</td><td>31</td><td>30</td><td>29</td><td>28</td><td>27</td><td>26</td><td>25</td><td>24</td><td></td><td></td><td></td><td></td><td>17</td></tr> <tr><td colspan="2"></td><td>16</td><td></td><td></td><td></td><td></td><td></td><td>10</td><td>8</td><td></td><td></td><td></td><td></td><td>2</td><td>1</td></tr> </table>	72	70	68	66						60	59			55	54	53	52	50	48	46						40	39			35	34	33	73		32	31	30	29	28	27	26	25	24					17			16						10	8					2	1								
72	70	68	66						60	59			55	54	53																																																															
52	50	48	46						40	39			35	34	33																																																															
73		32	31	30	29	28	27	26	25	24					17																																																															
		16						10	8					2	1																																																															
AVAILABLE	NOT APPLICABLE	34566-5813	0	B	ST.GRAY	<table border="1"> <tr><td>72</td><td>70</td><td>68</td><td>66</td><td></td><td></td><td></td><td></td><td></td><td>60</td><td>59</td><td></td><td></td><td>55</td><td>54</td><td>53</td></tr> <tr><td>52</td><td>50</td><td>48</td><td>46</td><td></td><td></td><td></td><td></td><td></td><td>40</td><td>39</td><td></td><td></td><td>35</td><td>34</td><td>33</td></tr> <tr><td colspan="2">73</td><td>32</td><td>31</td><td>30</td><td>29</td><td>28</td><td>27</td><td>26</td><td>25</td><td>24</td><td>23</td><td></td><td>19</td><td>18</td><td>17</td></tr> <tr><td colspan="2"></td><td>16</td><td></td><td></td><td></td><td></td><td></td><td>10</td><td>8</td><td>7</td><td></td><td></td><td></td><td>2</td><td>1</td></tr> </table>	72	70	68	66						60	59			55	54	53	52	50	48	46						40	39			35	34	33	73		32	31	30	29	28	27	26	25	24	23		19	18	17			16						10	8	7				2	1								
72	70	68	66						60	59			55	54	53																																																															
52	50	48	46						40	39			35	34	33																																																															
73		32	31	30	29	28	27	26	25	24	23		19	18	17																																																															
		16						10	8	7				2	1																																																															
AVAILABLE	NOT APPLICABLE	34566-5823	0	A	BLACK	<table border="1"> <tr><td>72</td><td>70</td><td></td><td></td><td></td><td></td><td>63</td><td></td><td></td><td></td><td></td><td></td><td></td><td></td><td></td><td></td></tr> <tr><td>52</td><td></td><td>49</td><td></td><td></td><td></td><td>43</td><td>41</td><td></td><td></td><td></td><td></td><td></td><td></td><td></td><td></td></tr> <tr><td colspan="2">73</td><td></td><td>31</td><td>30</td><td>28</td><td>27</td><td>26</td><td></td><td></td><td>23</td><td></td><td></td><td>20</td><td>19</td><td></td></tr> <tr><td colspan="2"></td><td></td><td>16</td><td>15</td><td>14</td><td></td><td></td><td>10</td><td></td><td></td><td>6</td><td></td><td></td><td></td><td></td></tr> </table>	72	70					63										52		49				43	41									73			31	30	28	27	26			23			20	19					16	15	14			10			6												
72	70					63																																																																								
52		49				43	41																																																																							
73			31	30	28	27	26			23			20	19																																																																
			16	15	14			10			6																																																																			
AVAILABLE	NOT APPLICABLE	34566-5833	0	A	BLACK	<table border="1"> <tr><td>72</td><td>70</td><td></td><td></td><td></td><td></td><td>63</td><td></td><td></td><td></td><td></td><td></td><td></td><td></td><td></td><td></td></tr> <tr><td>52</td><td></td><td>49</td><td></td><td></td><td></td><td>43</td><td>41</td><td></td><td></td><td></td><td></td><td></td><td></td><td></td><td></td></tr> <tr><td colspan="2">73</td><td></td><td>31</td><td>30</td><td>28</td><td>27</td><td>26</td><td></td><td></td><td>23</td><td></td><td></td><td>20</td><td>19</td><td></td></tr> <tr><td colspan="2"></td><td></td><td>16</td><td>15</td><td>14</td><td>12</td><td></td><td>10</td><td></td><td></td><td>6</td><td></td><td></td><td></td><td></td></tr> </table>	72	70					63										52		49				43	41									73			31	30	28	27	26			23			20	19					16	15	14	12		10			6												
72	70					63																																																																								
52		49				43	41																																																																							
73			31	30	28	27	26			23			20	19																																																																
			16	15	14	12		10			6																																																																			
AVAILABLE	NOT APPLICABLE	34566-5843	0	H	ST.GRAY	<table border="1"> <tr><td></td><td>79</td><td></td><td></td><td></td><td>74</td><td>73</td><td>72</td><td>71</td><td></td><td>68</td><td>67</td><td></td><td>65</td><td>64</td><td>63</td><td>62</td><td>61</td></tr> <tr><td></td><td>59</td><td></td><td>57</td><td></td><td>54</td><td>52</td><td></td><td></td><td></td><td></td><td></td><td></td><td></td><td></td><td></td><td>42</td><td>41</td></tr> <tr><td></td><td></td><td>38</td><td></td><td></td><td>34</td><td>33</td><td></td><td></td><td>29</td><td>27</td><td></td><td>25</td><td></td><td></td><td></td><td></td><td></td></tr> <tr><td></td><td></td><td></td><td>18</td><td></td><td>15</td><td>14</td><td></td><td>11</td><td>10</td><td>9</td><td>8</td><td>7</td><td></td><td></td><td></td><td></td><td></td></tr> </table>		79				74	73	72	71		68	67		65	64	63	62	61		59		57		54	52										42	41			38			34	33			29	27		25									18		15	14		11	10	9	8	7					
	79				74	73	72	71		68	67		65	64	63	62	61																																																													
	59		57		54	52										42	41																																																													
		38			34	33			29	27		25																																																																		
			18		15	14		11	10	9	8	7																																																																		
AVAILABLE	NOT APPLICABLE	34566-5853	0	H	ST.GRAY	<table border="1"> <tr><td></td><td>79</td><td></td><td></td><td></td><td>74</td><td>73</td><td>72</td><td>71</td><td></td><td>68</td><td>67</td><td></td><td>65</td><td>64</td><td>63</td><td>62</td><td>61</td></tr> <tr><td></td><td>59</td><td></td><td>57</td><td></td><td>54</td><td>52</td><td></td><td></td><td></td><td></td><td></td><td></td><td></td><td></td><td>43</td><td>42</td><td>41</td></tr> <tr><td></td><td></td><td>38</td><td></td><td></td><td></td><td>33</td><td></td><td></td><td>29</td><td>27</td><td></td><td>25</td><td></td><td></td><td></td><td></td><td></td></tr> <tr><td></td><td></td><td></td><td>18</td><td></td><td>15</td><td>14</td><td></td><td>11</td><td>10</td><td>9</td><td>8</td><td>7</td><td></td><td></td><td></td><td></td><td></td></tr> </table>		79				74	73	72	71		68	67		65	64	63	62	61		59		57		54	52									43	42	41			38				33			29	27		25									18		15	14		11	10	9	8	7					
	79				74	73	72	71		68	67		65	64	63	62	61																																																													
	59		57		54	52									43	42	41																																																													
		38				33			29	27		25																																																																		
			18		15	14		11	10	9	8	7																																																																		
AVAILABLE	NOT APPLICABLE	34566-5863	0	C	BLUE	<table border="1"> <tr><td>72</td><td>70</td><td></td><td></td><td>66</td><td></td><td>63</td><td>62</td><td></td><td></td><td>59</td><td>57</td><td>56</td><td>55</td><td></td><td>53</td></tr> <tr><td>52</td><td>51</td><td></td><td></td><td>46</td><td>44</td><td>42</td><td>40</td><td>39</td><td></td><td>37</td><td>36</td><td></td><td>34</td><td>33</td></tr> <tr><td colspan="2">73</td><td>32</td><td>30</td><td></td><td></td><td>26</td><td>25</td><td></td><td></td><td>22</td><td>21</td><td></td><td>19</td><td>18</td></tr> <tr><td colspan="2"></td><td>15</td><td>14</td><td></td><td></td><td>10</td><td>9</td><td></td><td></td><td>6</td><td></td><td></td><td>3</td><td></td></tr> </table>	72	70			66		63	62			59	57	56	55		53	52	51			46	44	42	40	39		37	36		34	33	73		32	30			26	25			22	21		19	18			15	14			10	9			6			3												
72	70			66		63	62			59	57	56	55		53																																																															
52	51			46	44	42	40	39		37	36		34	33																																																																
73		32	30			26	25			22	21		19	18																																																																
		15	14			10	9			6			3																																																																	
AVAILABLE	NOT APPLICABLE	34566-5873	0	B	ST.GRAY	<table border="1"> <tr><td>72</td><td></td><td></td><td></td><td></td><td></td><td></td><td>62</td><td>61</td><td></td><td></td><td></td><td></td><td></td><td></td><td></td><td></td></tr> <tr><td>52</td><td></td><td></td><td>48</td><td>47</td><td>46</td><td>44</td><td>43</td><td>41</td><td>40</td><td></td><td></td><td></td><td></td><td></td><td>20</td><td>19</td><td>18</td></tr> <tr><td colspan="2">73</td><td></td><td></td><td>30</td><td></td><td></td><td></td><td></td><td></td><td></td><td></td><td></td><td></td><td></td><td>4</td><td></td><td></td></tr> <tr><td colspan="2"></td><td>16</td><td>15</td><td>14</td><td></td><td></td><td></td><td></td><td></td><td></td><td></td><td></td><td></td><td></td><td></td><td></td><td></td></tr> </table>	72							62	61									52			48	47	46	44	43	41	40						20	19	18	73				30											4					16	15	14														
72							62	61																																																																						
52			48	47	46	44	43	41	40						20	19	18																																																													
73				30											4																																																															
		16	15	14																																																																										

<b>QUALITY SYMBOLS</b> = 0 = 0 = 0 = 0 = 0 = 0 = 0 = 0 = 0	THIS DRAWING CONTAINS INFORMATION THAT IS PROPRIETARY TO MOLEX ELECTRONIC TECHNOLOGIES, LLC AND SHOULD NOT BE USED WITHOUT WRITTEN PERMISSION									
	2017/04/12	2017/04/21	GENERAL TOLERANCES (UNLESS SPECIFIED)		DIMENSION UNITS	SCALE				
	EC NO: 115716 DRWN: TYE CHKD: REV APPR: JDENG02	ANGULAR TOL ± °		MM	1:1					
		4 PLACES ±	SKRAJENDRANA	DATE	2011/02/14					
		3 PLACES ±	CHKD BY	DATE						
		2 PLACES ±	MVANSLAMBROU	DATE	2011/02/14					
		1 PLACE ±	APPR BY	DATE						
	0 PLACES ±	DRAFT WHERE APPLICABLE MUST REMAIN WITHIN DIMENSIONS		DRAWING SIZE	THIRD ANGLE PROJECTION	SERIES: 34566 MATERIAL NUMBER: SEE BOM TABLE CUSTOMER: GENERAL MARKET				
	G50		D			DOCUMENT NUMBER: SD-34566-001 DOC TYPE: PSD DOC PART: 000 SHEET NUMBER: 65 OF 93				



STATUS	GM PART #	MATERIAL #	WIRE DRESS OPTION	KEY OPTION 	COLOR (TPA) 	NUMBERS INDICATE CAVITIES OPEN FOR CIRCUITS F <sub>p</sub>																																																																																				
AVAILABLE	NOT APPLICABLE	34566-5993	0	A	BLACK	<table border="1"> <tr><td></td><td>71</td><td>70</td><td>69</td><td></td><td>67</td><td>66</td><td>65</td><td></td><td>63</td><td>62</td><td>61</td><td>60</td><td></td><td>58</td><td>57</td><td>56</td><td>55</td><td>54</td><td>53</td></tr> <tr><td>52</td><td>51</td><td>50</td><td>49</td><td></td><td>47</td><td></td><td>45</td><td>44</td><td>43</td><td>42</td><td>41</td><td>40</td><td>39</td><td></td><td>37</td><td>36</td><td>35</td><td>34</td><td></td></tr> <tr><td colspan="3">73</td><td></td><td>32</td><td>31</td><td>30</td><td>29</td><td>28</td><td>27</td><td>26</td><td>25</td><td>24</td><td>23</td><td></td><td>21</td><td>20</td><td>19</td><td>18</td><td>17</td></tr> <tr><td colspan="3">73</td><td></td><td>16</td><td>15</td><td>14</td><td>13</td><td>12</td><td>11</td><td>10</td><td>9</td><td>8</td><td></td><td>6</td><td>5</td><td></td><td>3</td><td></td><td>1</td></tr> </table>		71	70	69		67	66	65		63	62	61	60		58	57	56	55	54	53	52	51	50	49		47		45	44	43	42	41	40	39		37	36	35	34		73				32	31	30	29	28	27	26	25	24	23		21	20	19	18	17	73				16	15	14	13	12	11	10	9	8		6	5		3		1				
	71	70	69		67	66	65		63	62	61	60		58	57	56	55	54	53																																																																							
52	51	50	49		47		45	44	43	42	41	40	39		37	36	35	34																																																																								
73				32	31	30	29	28	27	26	25	24	23		21	20	19	18	17																																																																							
73				16	15	14	13	12	11	10	9	8		6	5		3		1																																																																							
AVAILABLE	NOT APPLICABLE	34566-6013	0	B	ST.GRAY	<table border="1"> <tr><td></td><td></td><td></td><td>69</td><td></td><td>67</td><td></td><td>65</td><td></td><td></td><td>61</td><td>60</td><td>59</td><td>58</td><td>57</td><td></td><td></td><td></td><td>54</td><td>53</td></tr> <tr><td></td><td>51</td><td>50</td><td>49</td><td>48</td><td>47</td><td>46</td><td>45</td><td></td><td>43</td><td></td><td>40</td><td>39</td><td></td><td>37</td><td></td><td></td><td></td><td>34</td><td>33</td></tr> <tr><td colspan="3">73</td><td></td><td>32</td><td>31</td><td>30</td><td>29</td><td></td><td></td><td>26</td><td></td><td>24</td><td>23</td><td>22</td><td>21</td><td>20</td><td></td><td></td><td>18</td></tr> <tr><td colspan="3">73</td><td></td><td>16</td><td>15</td><td>14</td><td>13</td><td></td><td></td><td>10</td><td>9</td><td>8</td><td>7</td><td>6</td><td>5</td><td>4</td><td></td><td></td><td></td></tr> </table>				69		67		65			61	60	59	58	57				54	53		51	50	49	48	47	46	45		43		40	39		37				34	33	73				32	31	30	29			26		24	23	22	21	20			18	73				16	15	14	13			10	9	8	7	6	5	4							
			69		67		65			61	60	59	58	57				54	53																																																																							
	51	50	49	48	47	46	45		43		40	39		37				34	33																																																																							
73				32	31	30	29			26		24	23	22	21	20			18																																																																							
73				16	15	14	13			10	9	8	7	6	5	4																																																																										
AVAILABLE	NOT APPLICABLE	34566-6023	0	A	BLACK	<table border="1"> <tr><td>72</td><td>71</td><td>70</td><td>69</td><td>68</td><td>67</td><td></td><td></td><td></td><td></td><td></td><td>60</td><td>59</td><td>58</td><td>57</td><td>56</td><td></td><td></td><td>54</td><td>53</td></tr> <tr><td>52</td><td>51</td><td>50</td><td>49</td><td>48</td><td>47</td><td></td><td>45</td><td>44</td><td>43</td><td></td><td>40</td><td>39</td><td>38</td><td>37</td><td>36</td><td>35</td><td>34</td><td>33</td><td></td></tr> <tr><td colspan="3">73</td><td></td><td>32</td><td>31</td><td>30</td><td>29</td><td>28</td><td></td><td></td><td>24</td><td>23</td><td>22</td><td>21</td><td>20</td><td>19</td><td></td><td></td><td>17</td></tr> <tr><td colspan="3">73</td><td></td><td>16</td><td>15</td><td></td><td>13</td><td>12</td><td>11</td><td>10</td><td></td><td>7</td><td>6</td><td>5</td><td>4</td><td>3</td><td>2</td><td></td><td>1</td></tr> </table>	72	71	70	69	68	67						60	59	58	57	56			54	53	52	51	50	49	48	47		45	44	43		40	39	38	37	36	35	34	33		73				32	31	30	29	28			24	23	22	21	20	19			17	73				16	15		13	12	11	10		7	6	5	4	3	2		1				
72	71	70	69	68	67						60	59	58	57	56			54	53																																																																							
52	51	50	49	48	47		45	44	43		40	39	38	37	36	35	34	33																																																																								
73				32	31	30	29	28			24	23	22	21	20	19			17																																																																							
73				16	15		13	12	11	10		7	6	5	4	3	2		1																																																																							
AVAILABLE	NOT APPLICABLE	34566-6033	0	A	BLACK	<table border="1"> <tr><td></td><td></td><td>70</td><td>69</td><td></td><td></td><td></td><td></td><td></td><td></td><td>63</td><td>62</td><td>61</td><td></td><td></td><td>58</td><td>57</td><td>56</td><td>55</td><td>54</td><td>53</td></tr> <tr><td>52</td><td>51</td><td></td><td>49</td><td></td><td></td><td></td><td></td><td>44</td><td>43</td><td>42</td><td>41</td><td></td><td></td><td></td><td>37</td><td>36</td><td></td><td></td><td>34</td><td></td></tr> <tr><td colspan="3">73</td><td></td><td>32</td><td></td><td></td><td>29</td><td>28</td><td>27</td><td>26</td><td></td><td></td><td></td><td></td><td>21</td><td></td><td></td><td>19</td><td>18</td><td></td></tr> <tr><td colspan="3">73</td><td></td><td>16</td><td>15</td><td></td><td>13</td><td>12</td><td>11</td><td>10</td><td></td><td>8</td><td></td><td></td><td>5</td><td></td><td>3</td><td></td><td></td><td></td></tr> </table>			70	69							63	62	61			58	57	56	55	54	53	52	51		49					44	43	42	41				37	36			34		73				32			29	28	27	26					21			19	18		73				16	15		13	12	11	10		8			5		3			
		70	69							63	62	61			58	57	56	55	54	53																																																																						
52	51		49					44	43	42	41				37	36			34																																																																							
73				32			29	28	27	26					21			19	18																																																																							
73				16	15		13	12	11	10		8			5		3																																																																									
AVAILABLE	NOT APPLICABLE	34566-6043	0	B	ST.GRAY	<table border="1"> <tr><td></td><td></td><td></td><td></td><td>68</td><td>67</td><td>66</td><td>65</td><td>64</td><td></td><td></td><td></td><td></td><td></td><td>58</td><td></td><td></td><td>55</td><td></td><td></td><td></td></tr> <tr><td></td><td></td><td></td><td></td><td></td><td></td><td>46</td><td>45</td><td></td><td></td><td></td><td></td><td></td><td></td><td>38</td><td></td><td></td><td>35</td><td></td><td></td><td></td></tr> <tr><td colspan="3">73</td><td></td><td>32</td><td></td><td>30</td><td>29</td><td>28</td><td>27</td><td></td><td></td><td></td><td></td><td>22</td><td></td><td></td><td>19</td><td></td><td>17</td><td></td></tr> <tr><td colspan="3">73</td><td></td><td>16</td><td></td><td></td><td></td><td></td><td></td><td>10</td><td></td><td></td><td></td><td></td><td></td><td></td><td></td><td></td><td></td><td>1</td></tr> </table>					68	67	66	65	64						58			55										46	45							38			35				73				32		30	29	28	27					22			19		17		73				16						10										1
				68	67	66	65	64						58			55																																																																									
						46	45							38			35																																																																									
73				32		30	29	28	27					22			19		17																																																																							
73				16						10										1																																																																						
AVAILABLE	NOT APPLICABLE	34566-6053	0	B	ST.GRAY	<table border="1"> <tr><td>72</td><td></td><td></td><td></td><td></td><td></td><td></td><td></td><td></td><td></td><td>62</td><td>61</td><td></td><td></td><td></td><td></td><td></td><td></td><td></td><td></td><td></td></tr> <tr><td>52</td><td></td><td></td><td></td><td>48</td><td>47</td><td>46</td><td></td><td></td><td>43</td><td></td><td>41</td><td>40</td><td></td><td></td><td></td><td></td><td></td><td></td><td></td><td></td></tr> <tr><td colspan="3">73</td><td></td><td></td><td></td><td>30</td><td></td><td></td><td></td><td></td><td></td><td></td><td></td><td></td><td></td><td>20</td><td>19</td><td>18</td><td></td><td></td></tr> <tr><td colspan="3">73</td><td></td><td>16</td><td>15</td><td>14</td><td></td><td></td><td></td><td></td><td></td><td></td><td></td><td></td><td></td><td>4</td><td></td><td>2</td><td></td><td></td></tr> </table>	72										62	61										52				48	47	46			43		41	40									73						30										20	19	18			73				16	15	14										4		2		
72										62	61																																																																															
52				48	47	46			43		41	40																																																																														
73						30										20	19	18																																																																								
73				16	15	14										4		2																																																																								
AVAILABLE	NOT APPLICABLE	34566-6063	0	C	BLUE	<table border="1"> <tr><td></td><td></td><td></td><td>69</td><td></td><td>67</td><td>66</td><td></td><td>64</td><td></td><td>62</td><td></td><td>60</td><td></td><td></td><td>57</td><td></td><td>55</td><td>54</td><td></td><td></td></tr> <tr><td>52</td><td>51</td><td>50</td><td></td><td>48</td><td></td><td>46</td><td>45</td><td>44</td><td></td><td>42</td><td></td><td></td><td></td><td></td><td>37</td><td></td><td>35</td><td>34</td><td>33</td><td></td></tr> <tr><td colspan="3">73</td><td></td><td>32</td><td></td><td></td><td></td><td>28</td><td>27</td><td>26</td><td></td><td></td><td></td><td></td><td></td><td></td><td>19</td><td>18</td><td>17</td><td></td></tr> <tr><td colspan="3">73</td><td></td><td>16</td><td>15</td><td>14</td><td>13</td><td>12</td><td>11</td><td>10</td><td>9</td><td></td><td></td><td></td><td></td><td></td><td></td><td></td><td></td><td></td></tr> </table>				69		67	66		64		62		60			57		55	54			52	51	50		48		46	45	44		42					37		35	34	33		73				32				28	27	26							19	18	17		73				16	15	14	13	12	11	10	9									
			69		67	66		64		62		60			57		55	54																																																																								
52	51	50		48		46	45	44		42					37		35	34	33																																																																							
73				32				28	27	26							19	18	17																																																																							
73				16	15	14	13	12	11	10	9																																																																															
AVAILABLE	NOT APPLICABLE	34566-6073	0	C	BLUE	<table border="1"> <tr><td></td><td></td><td></td><td>69</td><td></td><td>67</td><td>66</td><td></td><td>64</td><td></td><td>61</td><td>60</td><td></td><td></td><td>57</td><td></td><td></td><td></td><td>54</td><td></td><td></td></tr> <tr><td>52</td><td>51</td><td>50</td><td>49</td><td>48</td><td></td><td>46</td><td>45</td><td>44</td><td></td><td>41</td><td></td><td></td><td></td><td>37</td><td></td><td></td><td></td><td>34</td><td>33</td><td></td></tr> <tr><td colspan="3">73</td><td></td><td>32</td><td></td><td></td><td></td><td>28</td><td>27</td><td></td><td>25</td><td></td><td></td><td></td><td></td><td></td><td></td><td>18</td><td>17</td><td></td></tr> <tr><td colspan="3">73</td><td></td><td>16</td><td>15</td><td>14</td><td>13</td><td>12</td><td>11</td><td>10</td><td>9</td><td></td><td></td><td></td><td></td><td></td><td></td><td></td><td></td><td></td></tr> </table>				69		67	66		64		61	60			57				54			52	51	50	49	48		46	45	44		41				37				34	33		73				32				28	27		25							18	17		73				16	15	14	13	12	11	10	9									
			69		67	66		64		61	60			57				54																																																																								
52	51	50	49	48		46	45	44		41				37				34	33																																																																							
73				32				28	27		25							18	17																																																																							
73				16	15	14	13	12	11	10	9																																																																															
AVAILABLE	NOT APPLICABLE	34566-6083	0	C	BLUE	<table border="1"> <tr><td>72</td><td></td><td>70</td><td></td><td>68</td><td>67</td><td>66</td><td></td><td></td><td>63</td><td>62</td><td></td><td></td><td>59</td><td></td><td>57</td><td></td><td></td><td></td><td>53</td><td></td></tr> <tr><td>52</td><td>51</td><td></td><td></td><td>48</td><td>47</td><td>46</td><td></td><td>44</td><td></td><td>42</td><td></td><td>40</td><td>39</td><td></td><td>37</td><td>36</td><td></td><td></td><td>34</td><td>33</td></tr> <tr><td colspan="3">73</td><td></td><td>32</td><td></td><td>30</td><td></td><td></td><td>26</td><td>25</td><td></td><td></td><td></td><td>22</td><td>21</td><td></td><td></td><td></td><td></td><td></td></tr> <tr><td colspan="3">73</td><td></td><td></td><td>15</td><td>14</td><td></td><td></td><td></td><td>10</td><td>9</td><td></td><td></td><td>6</td><td>5</td><td>4</td><td></td><td></td><td></td><td>2</td></tr> </table>	72		70		68	67	66			63	62			59		57				53		52	51			48	47	46		44		42		40	39		37	36			34	33	73				32		30			26	25				22	21						73					15	14				10	9			6	5	4				2
72		70		68	67	66			63	62			59		57				53																																																																							
52	51			48	47	46		44		42		40	39		37	36			34	33																																																																						
73				32		30			26	25				22	21																																																																											
73					15	14				10	9			6	5	4				2																																																																						

<b>QUALITY SYMBOLS</b> = 0 = 0 = 0 = 0 = 0 = 0 = 0 = 0 = 0	THIS DRAWING CONTAINS INFORMATION THAT IS PROPRIETARY TO MOLEX ELECTRONIC TECHNOLOGIES, LLC AND SHOULD NOT BE USED WITHOUT WRITTEN PERMISSION		<b>GENERAL TOLERANCES (UNLESS SPECIFIED)</b> DIMENSION UNITS: <b>MM</b> SCALE: <b>1:1</b> DRWN BY: SKRAJENDRANA DATE: 2011/02/14 CHKD BY: MVANSLAMBROU DATE: 2011/02/14 APPR BY:		  <b>MX123</b> <b>66/73/80CKT HRNS CONN ASSY</b>  <b>PRODUCT CUSTOMER DRAWING</b> SERIES: 34566 MATERIAL NUMBER: SEE BOM TABLE CUSTOMER: GENERAL MARKET DOCUMENT NUMBER: SD-34566-001 DOC TYPE: PSD DOC PART: 000 SHEET NUMBER: 67 OF 93
	EC NO: 115716 DRWN: TYE CHKD: JDENG02 REV: APPR:	2017/04/12 2017/04/21	4 PLACES ± 3 PLACES ± 2 PLACES ± 1 PLACE ± 0 PLACES ±	DRAFT WHERE APPLICABLE MUST REMAIN WITHIN DIMENSIONS <b>D</b>	
	DRAWING SIZE: <b>D</b> THIRD ANGLE PROJECTION				

STATUS	GM PART #	MATERIAL #	WIRE DRESS OPTION	KEY OPTION	COLOR (TPA)	NUMBERS INDICATE CAVITIES OPEN FOR CIRCUITS Fp																																																																																				
AVAILABLE	NOT APPLICABLE	34566-6093	0	B	ST.GRAY	<table border="1"> <tr><td>72</td><td>70</td><td></td><td></td><td>67</td><td></td><td></td><td>63</td><td>62</td><td>61</td><td>60</td><td>59</td><td></td><td></td><td></td><td></td><td></td><td></td><td></td><td></td></tr> <tr><td>52</td><td></td><td></td><td></td><td></td><td>46</td><td></td><td>43</td><td></td><td>41</td><td>40</td><td></td><td></td><td></td><td></td><td></td><td>20</td><td>19</td><td>18</td><td></td></tr> <tr><td colspan="2">73</td><td></td><td></td><td></td><td></td><td></td><td>27</td><td></td><td></td><td></td><td></td><td></td><td></td><td></td><td></td><td>4</td><td></td><td></td><td></td></tr> <tr><td></td><td></td><td></td><td></td><td></td><td>16</td><td>14</td><td></td><td></td><td>11</td><td></td><td></td><td></td><td></td><td></td><td></td><td></td><td></td><td></td><td></td></tr> </table>	72	70			67			63	62	61	60	59									52					46		43		41	40						20	19	18		73							27									4									16	14			11														
72	70			67			63	62	61	60	59																																																																															
52					46		43		41	40						20	19	18																																																																								
73							27									4																																																																										
					16	14			11																																																																																	
AVAILABLE	NOT APPLICABLE	34566-6113	0	A	BLACK	<table border="1"> <tr><td>72</td><td>71</td><td>70</td><td>69</td><td>68</td><td></td><td>66</td><td>65</td><td>64</td><td>63</td><td>62</td><td>61</td><td>60</td><td></td><td>58</td><td>57</td><td>56</td><td>55</td><td>54</td><td>53</td></tr> <tr><td>52</td><td>51</td><td>50</td><td>49</td><td>48</td><td></td><td>46</td><td>45</td><td>44</td><td>43</td><td>42</td><td>41</td><td>40</td><td>39</td><td>38</td><td>37</td><td>36</td><td></td><td>34</td><td>33</td></tr> <tr><td colspan="4">73</td><td></td><td>32</td><td>31</td><td>30</td><td>29</td><td>28</td><td>27</td><td>26</td><td>25</td><td></td><td>23</td><td>22</td><td>21</td><td>20</td><td>19</td><td>18</td><td></td></tr> <tr><td></td><td></td><td></td><td></td><td></td><td>16</td><td>15</td><td>14</td><td>13</td><td>12</td><td>11</td><td>10</td><td>9</td><td>8</td><td>7</td><td>6</td><td>5</td><td>4</td><td>3</td><td>2</td><td></td></tr> </table>	72	71	70	69	68		66	65	64	63	62	61	60		58	57	56	55	54	53	52	51	50	49	48		46	45	44	43	42	41	40	39	38	37	36		34	33	73					32	31	30	29	28	27	26	25		23	22	21	20	19	18							16	15	14	13	12	11	10	9	8	7	6	5	4	3	2			
72	71	70	69	68		66	65	64	63	62	61	60		58	57	56	55	54	53																																																																							
52	51	50	49	48		46	45	44	43	42	41	40	39	38	37	36		34	33																																																																							
73					32	31	30	29	28	27	26	25		23	22	21	20	19	18																																																																							
					16	15	14	13	12	11	10	9	8	7	6	5	4	3	2																																																																							
AVAILABLE	NOT APPLICABLE	34566-6123	0	C	BLUE	<table border="1"> <tr><td></td><td></td><td></td><td>69</td><td></td><td>67</td><td>66</td><td></td><td>64</td><td></td><td>62</td><td></td><td>60</td><td></td><td></td><td>57</td><td></td><td></td><td></td><td>54</td></tr> <tr><td>52</td><td>51</td><td>50</td><td></td><td>48</td><td></td><td>46</td><td>45</td><td>44</td><td></td><td>42</td><td></td><td></td><td></td><td></td><td>37</td><td></td><td></td><td></td><td>34</td><td>33</td></tr> <tr><td colspan="2">73</td><td></td><td></td><td></td><td></td><td></td><td></td><td>28</td><td>27</td><td>26</td><td></td><td></td><td></td><td></td><td></td><td></td><td></td><td></td><td></td><td></td></tr> <tr><td></td><td></td><td></td><td></td><td></td><td>16</td><td>15</td><td>14</td><td>13</td><td>12</td><td>11</td><td>10</td><td>9</td><td>8</td><td>7</td><td></td><td></td><td></td><td></td><td></td><td></td></tr> </table>				69		67	66		64		62		60			57				54	52	51	50		48		46	45	44		42					37				34	33	73								28	27	26																16	15	14	13	12	11	10	9	8	7							
			69		67	66		64		62		60			57				54																																																																							
52	51	50		48		46	45	44		42					37				34	33																																																																						
73								28	27	26																																																																																
					16	15	14	13	12	11	10	9	8	7																																																																												
AVAILABLE	NOT APPLICABLE	34566-6133	9	C	BLUE	<table border="1"> <tr><td>72</td><td></td><td>70</td><td></td><td>68</td><td>67</td><td></td><td></td><td></td><td>63</td><td>62</td><td></td><td></td><td>59</td><td></td><td>57</td><td></td><td></td><td></td><td>53</td></tr> <tr><td>52</td><td>51</td><td></td><td></td><td>48</td><td>47</td><td></td><td></td><td>44</td><td></td><td>42</td><td></td><td>40</td><td>39</td><td>38</td><td>37</td><td>36</td><td></td><td></td><td>34</td><td>33</td></tr> <tr><td colspan="4">73</td><td></td><td>32</td><td></td><td>30</td><td></td><td></td><td>26</td><td>25</td><td>24</td><td></td><td>22</td><td>21</td><td></td><td></td><td></td><td></td><td></td></tr> <tr><td></td><td></td><td></td><td></td><td></td><td>15</td><td>14</td><td></td><td></td><td></td><td></td><td>9</td><td>8</td><td></td><td>6</td><td>5</td><td>4</td><td></td><td></td><td></td><td>2</td></tr> </table>	72		70		68	67				63	62			59		57				53	52	51			48	47			44		42		40	39	38	37	36			34	33	73					32		30			26	25	24		22	21											15	14					9	8		6	5	4				2	
72		70		68	67				63	62			59		57				53																																																																							
52	51			48	47			44		42		40	39	38	37	36			34	33																																																																						
73					32		30			26	25	24		22	21																																																																											
					15	14					9	8		6	5	4				2																																																																						
AVAILABLE	NOT APPLICABLE	34566-6173	9	B	ST.GRAY	<table border="1"> <tr><td></td><td></td><td></td><td></td><td></td><td>67</td><td>66</td><td></td><td></td><td></td><td></td><td></td><td></td><td></td><td></td><td></td><td></td><td></td><td></td><td></td><td></td></tr> <tr><td></td><td></td><td></td><td></td><td>48</td><td>47</td><td></td><td></td><td></td><td></td><td></td><td>41</td><td></td><td></td><td></td><td></td><td></td><td></td><td></td><td></td><td></td></tr> <tr><td colspan="4">73</td><td></td><td>32</td><td>31</td><td>30</td><td>29</td><td></td><td>27</td><td>26</td><td>25</td><td>24</td><td></td><td>22</td><td>21</td><td></td><td>19</td><td>18</td><td>17</td></tr> <tr><td></td><td></td><td></td><td></td><td></td><td>16</td><td>15</td><td>14</td><td>13</td><td></td><td>11</td><td>10</td><td>9</td><td>8</td><td>7</td><td>6</td><td>5</td><td>4</td><td>3</td><td></td><td>1</td></tr> </table>						67	66																			48	47						41										73					32	31	30	29		27	26	25	24		22	21		19	18	17						16	15	14	13		11	10	9	8	7	6	5	4	3		1
					67	66																																																																																				
				48	47						41																																																																															
73					32	31	30	29		27	26	25	24		22	21		19	18	17																																																																						
					16	15	14	13		11	10	9	8	7	6	5	4	3		1																																																																						
AVAILABLE	NOT APPLICABLE	34566-6183	9	A	BLACK	<table border="1"> <tr><td></td><td></td><td></td><td></td><td></td><td></td><td>66</td><td></td><td></td><td></td><td></td><td></td><td></td><td></td><td></td><td></td><td></td><td></td><td></td><td></td><td></td></tr> <tr><td></td><td></td><td></td><td></td><td>48</td><td>47</td><td></td><td></td><td></td><td></td><td></td><td>41</td><td></td><td></td><td></td><td></td><td></td><td></td><td></td><td></td><td></td></tr> <tr><td colspan="4">73</td><td></td><td>32</td><td>31</td><td>30</td><td>29</td><td></td><td>27</td><td>26</td><td>25</td><td>24</td><td></td><td>22</td><td>21</td><td></td><td>19</td><td>18</td><td>17</td></tr> <tr><td></td><td></td><td></td><td></td><td></td><td>16</td><td>15</td><td>14</td><td>13</td><td></td><td>11</td><td>10</td><td>9</td><td>8</td><td>7</td><td>6</td><td>5</td><td>4</td><td>3</td><td></td><td>1</td></tr> </table>							66																			48	47						41										73					32	31	30	29		27	26	25	24		22	21		19	18	17						16	15	14	13		11	10	9	8	7	6	5	4	3		1
						66																																																																																				
				48	47						41																																																																															
73					32	31	30	29		27	26	25	24		22	21		19	18	17																																																																						
					16	15	14	13		11	10	9	8	7	6	5	4	3		1																																																																						
AVAILABLE	NOT APPLICABLE	34566-6193	9	B	ST.GRAY	<table border="1"> <tr><td>72</td><td>71</td><td>70</td><td>69</td><td>68</td><td>67</td><td>66</td><td>65</td><td>64</td><td></td><td>62</td><td>61</td><td>60</td><td>59</td><td>58</td><td>57</td><td>56</td><td>55</td><td>54</td><td></td></tr> <tr><td>52</td><td>51</td><td>50</td><td>49</td><td></td><td></td><td>46</td><td></td><td>44</td><td></td><td></td><td>41</td><td>40</td><td></td><td>38</td><td>37</td><td>36</td><td></td><td></td><td></td></tr> <tr><td colspan="4">73</td><td></td><td>32</td><td>31</td><td>30</td><td>29</td><td>28</td><td>27</td><td>26</td><td>25</td><td>24</td><td></td><td></td><td>21</td><td>20</td><td></td><td>18</td><td>17</td></tr> <tr><td></td><td></td><td></td><td></td><td></td><td>16</td><td>15</td><td>14</td><td>13</td><td>12</td><td></td><td>10</td><td>9</td><td>8</td><td>7</td><td>6</td><td>5</td><td>4</td><td>3</td><td>2</td><td></td></tr> </table>	72	71	70	69	68	67	66	65	64		62	61	60	59	58	57	56	55	54		52	51	50	49			46		44			41	40		38	37	36				73					32	31	30	29	28	27	26	25	24			21	20		18	17						16	15	14	13	12		10	9	8	7	6	5	4	3	2			
72	71	70	69	68	67	66	65	64		62	61	60	59	58	57	56	55	54																																																																								
52	51	50	49			46		44			41	40		38	37	36																																																																										
73					32	31	30	29	28	27	26	25	24			21	20		18	17																																																																						
					16	15	14	13	12		10	9	8	7	6	5	4	3	2																																																																							
AVAILABLE	NOT APPLICABLE	34566-6213	9	A	BLACK	<table border="1"> <tr><td></td><td></td><td></td><td></td><td></td><td>67</td><td>66</td><td></td><td></td><td></td><td></td><td></td><td></td><td></td><td></td><td></td><td></td><td></td><td></td><td></td><td></td></tr> <tr><td></td><td></td><td></td><td></td><td>48</td><td>47</td><td></td><td></td><td></td><td></td><td></td><td>41</td><td></td><td></td><td></td><td></td><td></td><td></td><td></td><td></td><td></td></tr> <tr><td colspan="4">73</td><td></td><td>32</td><td>31</td><td>30</td><td>29</td><td></td><td>27</td><td>26</td><td>25</td><td>24</td><td></td><td>22</td><td>21</td><td></td><td>19</td><td>18</td><td>17</td></tr> <tr><td></td><td></td><td></td><td></td><td></td><td>16</td><td>15</td><td>14</td><td>13</td><td></td><td>11</td><td>10</td><td>9</td><td>8</td><td>7</td><td>6</td><td>5</td><td>4</td><td>3</td><td></td><td>1</td></tr> </table>						67	66																			48	47						41										73					32	31	30	29		27	26	25	24		22	21		19	18	17						16	15	14	13		11	10	9	8	7	6	5	4	3		1
					67	66																																																																																				
				48	47						41																																																																															
73					32	31	30	29		27	26	25	24		22	21		19	18	17																																																																						
					16	15	14	13		11	10	9	8	7	6	5	4	3		1																																																																						
AVAILABLE	NOT APPLICABLE	34566-6223	9	C	BLUE	<table border="1"> <tr><td>72</td><td></td><td>70</td><td></td><td>68</td><td></td><td>66</td><td></td><td></td><td>63</td><td>62</td><td></td><td></td><td>59</td><td></td><td>57</td><td></td><td></td><td></td><td></td><td>53</td></tr> <tr><td>52</td><td>51</td><td></td><td></td><td>48</td><td>47</td><td>46</td><td></td><td>44</td><td></td><td></td><td></td><td>40</td><td>39</td><td></td><td></td><td></td><td></td><td></td><td>34</td><td>33</td></tr> <tr><td colspan="4">73</td><td></td><td>32</td><td></td><td>30</td><td></td><td></td><td>27</td><td>26</td><td>25</td><td></td><td></td><td>22</td><td>21</td><td>20</td><td></td><td></td><td></td></tr> <tr><td></td><td></td><td></td><td></td><td></td><td>15</td><td>14</td><td>13</td><td></td><td></td><td>10</td><td>9</td><td></td><td></td><td>6</td><td>5</td><td>4</td><td></td><td></td><td></td><td></td></tr> </table>	72		70		68		66			63	62			59		57					53	52	51			48	47	46		44				40	39						34	33	73					32		30			27	26	25			22	21	20									15	14	13			10	9			6	5	4				
72		70		68		66			63	62			59		57					53																																																																						
52	51			48	47	46		44				40	39						34	33																																																																						
73					32		30			27	26	25			22	21	20																																																																									
					15	14	13			10	9			6	5	4																																																																										

<b>QUALITY SYMBOLS</b> = 0 = 0 = 0 = 0 = 0 = 0 = 0 = 0 = 0	THIS DRAWING CONTAINS INFORMATION THAT IS PROPRIETARY TO MOLEX ELECTRONIC TECHNOLOGIES, LLC AND SHOULD NOT BE USED WITHOUT WRITTEN PERMISSION									
	2017/04/12	2017/04/21	GENERAL TOLERANCES (UNLESS SPECIFIED)		DIMENSION UNITS	SCALE				
	EC NO: 115716 DRWN: TYE CHKD: REV APPR: JDENG02	G50	ANGULAR TOL ± °		MM	1:1				
			4 PLACES ±	SKRAJENDRANA	2011/02/14					
			3 PLACES ±	CHKD BY	DATE					
			2 PLACES ±	MVANSLAMBROU	2011/02/14					
			1 PLACE ±	APPR BY	DATE					
	0 PLACES ±	DRAFT WHERE APPLICABLE MUST REMAIN WITHIN DIMENSIONS		DRAWING SIZE	THIRD ANGLE PROJECTION					
	SERIES		MATERIAL NUMBER		CUSTOMER					
	34566		SEE BOM TABLE		GENERAL MARKET					
DOCUMENT NUMBER		DOC TYPE		DOC PART SHEET NUMBER						
SD-34566-001		PSD		000 68 OF 93						

STATUS	GM PART #	MATERIAL #	WIRE DRESS OPTION	KEY OPTION	COLOR (TPA)	NUMBERS INDICATE CAVITIES OPEN FOR CIRCUITS F <sub>P</sub>																																																																																							
AVAILABLE	NOT APPLICABLE	34566-6233	9	B	ST.GRAY	<table border="1"> <tr><td>72</td><td>70</td><td>68</td><td>66</td><td></td><td></td><td></td><td></td><td>60</td><td>59</td><td></td><td></td><td></td><td></td><td>55</td><td>54</td><td>53</td></tr> <tr><td>52</td><td>50</td><td>48</td><td>46</td><td></td><td></td><td></td><td></td><td>40</td><td>39</td><td></td><td></td><td></td><td></td><td>35</td><td>34</td><td>33</td></tr> <tr><td colspan="2">73</td><td>32</td><td>31</td><td>30</td><td>29</td><td>28</td><td>27</td><td>26</td><td>25</td><td>24</td><td></td><td></td><td></td><td></td><td></td><td>17</td></tr> <tr><td colspan="2"></td><td>16</td><td></td><td></td><td></td><td></td><td></td><td>10</td><td>8</td><td></td><td></td><td></td><td></td><td>2</td><td>1</td><td></td></tr> </table>	72	70	68	66					60	59					55	54	53	52	50	48	46					40	39					35	34	33	73		32	31	30	29	28	27	26	25	24						17			16						10	8					2	1																				
72	70	68	66					60	59					55	54	53																																																																													
52	50	48	46					40	39					35	34	33																																																																													
73		32	31	30	29	28	27	26	25	24						17																																																																													
		16						10	8					2	1																																																																														
AVAILABLE	NOT APPLICABLE	34566-6243	9	A	BLACK	<table border="1"> <tr><td></td><td>71</td><td>70</td><td>69</td><td></td><td></td><td></td><td></td><td>64</td><td>63</td><td></td><td></td><td>60</td><td>59</td><td>58</td><td>57</td><td>56</td><td>55</td><td>54</td><td>53</td></tr> <tr><td>52</td><td>51</td><td>50</td><td>49</td><td></td><td></td><td></td><td></td><td>45</td><td>44</td><td>43</td><td>42</td><td>41</td><td></td><td>39</td><td>37</td><td>36</td><td></td><td></td><td>34</td></tr> <tr><td colspan="2">73</td><td>32</td><td></td><td>30</td><td></td><td>28</td><td></td><td>26</td><td></td><td></td><td></td><td></td><td></td><td></td><td></td><td></td><td>19</td><td>18</td><td></td></tr> <tr><td colspan="2"></td><td>16</td><td>15</td><td>14</td><td></td><td>12</td><td></td><td>10</td><td></td><td></td><td></td><td></td><td></td><td></td><td></td><td>3</td><td></td><td></td><td></td></tr> </table>		71	70	69					64	63			60	59	58	57	56	55	54	53	52	51	50	49					45	44	43	42	41		39	37	36			34	73		32		30		28		26									19	18				16	15	14		12		10								3										
	71	70	69					64	63			60	59	58	57	56	55	54	53																																																																										
52	51	50	49					45	44	43	42	41		39	37	36			34																																																																										
73		32		30		28		26									19	18																																																																											
		16	15	14		12		10								3																																																																													
AVAILABLE	NOT APPLICABLE	34566-6253	9	C	BLUE	<table border="1"> <tr><td>72</td><td>70</td><td>68</td><td>67</td><td>66</td><td></td><td></td><td></td><td>63</td><td>62</td><td></td><td></td><td>59</td><td>57</td><td></td><td></td><td></td><td></td><td></td><td>53</td></tr> <tr><td>52</td><td>51</td><td></td><td>49</td><td>48</td><td>47</td><td>46</td><td></td><td>44</td><td></td><td></td><td></td><td>40</td><td>39</td><td></td><td>37</td><td>36</td><td></td><td></td><td>34</td><td>33</td></tr> <tr><td colspan="2">73</td><td>32</td><td></td><td>30</td><td></td><td></td><td></td><td>27</td><td>26</td><td>25</td><td>24</td><td></td><td></td><td>22</td><td>21</td><td>20</td><td></td><td></td><td></td><td></td></tr> <tr><td colspan="2"></td><td></td><td>15</td><td>14</td><td>13</td><td></td><td></td><td>10</td><td>9</td><td>8</td><td></td><td></td><td></td><td>6</td><td>5</td><td>4</td><td></td><td></td><td></td><td>2</td></tr> </table>	72	70	68	67	66				63	62			59	57						53	52	51		49	48	47	46		44				40	39		37	36			34	33	73		32		30				27	26	25	24			22	21	20								15	14	13			10	9	8				6	5	4				2				
72	70	68	67	66				63	62			59	57						53																																																																										
52	51		49	48	47	46		44				40	39		37	36			34	33																																																																									
73		32		30				27	26	25	24			22	21	20																																																																													
			15	14	13			10	9	8				6	5	4				2																																																																									
AVAILABLE	NOT APPLICABLE	34566-6263	9	B	ST.GRAY	<table border="1"> <tr><td>72</td><td>71</td><td>70</td><td></td><td>68</td><td>67</td><td>66</td><td></td><td></td><td></td><td>62</td><td>61</td><td>60</td><td>59</td><td>58</td><td>57</td><td>56</td><td>55</td><td>54</td><td>53</td></tr> <tr><td>52</td><td>51</td><td>50</td><td></td><td>48</td><td>47</td><td>46</td><td></td><td></td><td></td><td>42</td><td>41</td><td>40</td><td>39</td><td>38</td><td>37</td><td>36</td><td>35</td><td>34</td><td>33</td></tr> <tr><td colspan="2">73</td><td>32</td><td>31</td><td>30</td><td>29</td><td>28</td><td>27</td><td>26</td><td>25</td><td>24</td><td></td><td></td><td></td><td></td><td></td><td></td><td></td><td>18</td><td>17</td></tr> <tr><td colspan="2"></td><td>16</td><td>15</td><td>14</td><td>13</td><td></td><td></td><td>10</td><td></td><td>8</td><td></td><td></td><td></td><td></td><td></td><td></td><td>3</td><td>2</td><td>1</td></tr> </table>	72	71	70		68	67	66				62	61	60	59	58	57	56	55	54	53	52	51	50		48	47	46				42	41	40	39	38	37	36	35	34	33	73		32	31	30	29	28	27	26	25	24								18	17			16	15	14	13			10		8							3	2	1							
72	71	70		68	67	66				62	61	60	59	58	57	56	55	54	53																																																																										
52	51	50		48	47	46				42	41	40	39	38	37	36	35	34	33																																																																										
73		32	31	30	29	28	27	26	25	24								18	17																																																																										
		16	15	14	13			10		8							3	2	1																																																																										
AVAILABLE	NOT APPLICABLE	34566-6273	9	B	ST.GRAY	<table border="1"> <tr><td></td><td>71</td><td>70</td><td>69</td><td></td><td></td><td></td><td></td><td>65</td><td>64</td><td>63</td><td>62</td><td>61</td><td>60</td><td></td><td>58</td><td>57</td><td>56</td><td>55</td><td>54</td><td>53</td></tr> <tr><td>52</td><td>51</td><td>50</td><td>49</td><td>48</td><td>47</td><td></td><td></td><td>45</td><td>44</td><td>43</td><td>42</td><td>41</td><td></td><td>39</td><td></td><td>37</td><td>36</td><td></td><td></td><td>34</td></tr> <tr><td colspan="2">73</td><td>32</td><td></td><td>30</td><td>29</td><td>28</td><td>27</td><td>26</td><td></td><td>24</td><td></td><td></td><td></td><td></td><td></td><td></td><td></td><td>19</td><td>18</td><td></td></tr> <tr><td colspan="2"></td><td>16</td><td>15</td><td>14</td><td>13</td><td>12</td><td>11</td><td>10</td><td></td><td></td><td></td><td></td><td></td><td></td><td></td><td></td><td></td><td>3</td><td></td><td></td></tr> </table>		71	70	69					65	64	63	62	61	60		58	57	56	55	54	53	52	51	50	49	48	47			45	44	43	42	41		39		37	36			34	73		32		30	29	28	27	26		24								19	18				16	15	14	13	12	11	10										3					
	71	70	69					65	64	63	62	61	60		58	57	56	55	54	53																																																																									
52	51	50	49	48	47			45	44	43	42	41		39		37	36			34																																																																									
73		32		30	29	28	27	26		24								19	18																																																																										
		16	15	14	13	12	11	10										3																																																																											
AVAILABLE	NOT APPLICABLE	34566-6283	9	C	BLUE	<table border="1"> <tr><td>72</td><td>70</td><td>68</td><td>67</td><td>66</td><td></td><td></td><td></td><td>63</td><td>62</td><td></td><td></td><td>59</td><td>57</td><td></td><td></td><td></td><td></td><td></td><td></td><td>53</td></tr> <tr><td>52</td><td>51</td><td></td><td>49</td><td>48</td><td>47</td><td>46</td><td></td><td>44</td><td></td><td></td><td></td><td>40</td><td>39</td><td></td><td></td><td></td><td></td><td></td><td></td><td>34</td><td>33</td></tr> <tr><td colspan="2">73</td><td>32</td><td></td><td>30</td><td></td><td></td><td></td><td>27</td><td>26</td><td>25</td><td></td><td></td><td></td><td>22</td><td>21</td><td></td><td></td><td></td><td></td><td></td><td></td></tr> <tr><td colspan="2"></td><td></td><td>15</td><td>14</td><td></td><td></td><td></td><td>10</td><td>9</td><td></td><td></td><td></td><td></td><td>6</td><td>5</td><td>4</td><td></td><td></td><td></td><td></td><td></td></tr> </table>	72	70	68	67	66				63	62			59	57							53	52	51		49	48	47	46		44				40	39							34	33	73		32		30				27	26	25				22	21										15	14				10	9					6	5	4					
72	70	68	67	66				63	62			59	57							53																																																																									
52	51		49	48	47	46		44				40	39							34	33																																																																								
73		32		30				27	26	25				22	21																																																																														
			15	14				10	9					6	5	4																																																																													
AVAILABLE	NOT APPLICABLE	34566-6293	9	B	ST.GRAY	<table border="1"> <tr><td>72</td><td>71</td><td>70</td><td></td><td>68</td><td>67</td><td>66</td><td></td><td></td><td></td><td>62</td><td>61</td><td>60</td><td>59</td><td>58</td><td>57</td><td>56</td><td>55</td><td>54</td><td>53</td></tr> <tr><td>52</td><td>51</td><td>50</td><td></td><td>48</td><td>47</td><td>46</td><td></td><td></td><td></td><td>42</td><td>41</td><td>40</td><td>39</td><td>38</td><td>37</td><td>36</td><td>35</td><td>34</td><td>33</td></tr> <tr><td colspan="2">73</td><td>32</td><td>31</td><td>30</td><td>29</td><td>28</td><td>27</td><td>26</td><td>25</td><td>24</td><td></td><td></td><td></td><td></td><td></td><td></td><td></td><td></td><td>17</td></tr> <tr><td colspan="2"></td><td>16</td><td>15</td><td>14</td><td>13</td><td></td><td></td><td>10</td><td></td><td>8</td><td></td><td></td><td></td><td></td><td></td><td></td><td></td><td>2</td><td>1</td></tr> </table>	72	71	70		68	67	66				62	61	60	59	58	57	56	55	54	53	52	51	50		48	47	46				42	41	40	39	38	37	36	35	34	33	73		32	31	30	29	28	27	26	25	24									17			16	15	14	13			10		8								2	1							
72	71	70		68	67	66				62	61	60	59	58	57	56	55	54	53																																																																										
52	51	50		48	47	46				42	41	40	39	38	37	36	35	34	33																																																																										
73		32	31	30	29	28	27	26	25	24									17																																																																										
		16	15	14	13			10		8								2	1																																																																										
AVAILABLE	NOT APPLICABLE	34566-6313	9	B	ST.GRAY	<table border="1"> <tr><td></td><td></td><td>70</td><td>69</td><td></td><td></td><td></td><td></td><td></td><td></td><td>63</td><td>62</td><td>61</td><td>60</td><td></td><td>58</td><td>57</td><td>56</td><td>55</td><td>54</td><td>53</td></tr> <tr><td>52</td><td>51</td><td>50</td><td>49</td><td></td><td></td><td></td><td></td><td></td><td></td><td>44</td><td>43</td><td>42</td><td>41</td><td></td><td>39</td><td></td><td>37</td><td>36</td><td></td><td>34</td></tr> <tr><td colspan="2">73</td><td>32</td><td></td><td></td><td></td><td>29</td><td>28</td><td>27</td><td>26</td><td></td><td></td><td></td><td></td><td></td><td></td><td></td><td></td><td></td><td>19</td><td>18</td></tr> <tr><td colspan="2"></td><td>16</td><td>15</td><td>14</td><td>13</td><td>12</td><td>11</td><td>10</td><td></td><td></td><td></td><td></td><td></td><td></td><td></td><td></td><td></td><td></td><td>3</td><td></td></tr> </table>			70	69							63	62	61	60		58	57	56	55	54	53	52	51	50	49							44	43	42	41		39		37	36		34	73		32				29	28	27	26										19	18			16	15	14	13	12	11	10											3				
		70	69							63	62	61	60		58	57	56	55	54	53																																																																									
52	51	50	49							44	43	42	41		39		37	36		34																																																																									
73		32				29	28	27	26										19	18																																																																									
		16	15	14	13	12	11	10											3																																																																										
AVAILABLE	NOT APPLICABLE	34566-6323	9	B	ST.GRAY	<table border="1"> <tr><td></td><td>71</td><td>70</td><td>69</td><td></td><td></td><td></td><td></td><td>64</td><td>63</td><td></td><td></td><td>60</td><td>59</td><td>58</td><td>57</td><td>56</td><td>55</td><td>54</td><td>53</td></tr> <tr><td>52</td><td>51</td><td>50</td><td>49</td><td></td><td></td><td></td><td></td><td>45</td><td>44</td><td>43</td><td>42</td><td>41</td><td></td><td>39</td><td></td><td>37</td><td>36</td><td></td><td></td><td>34</td></tr> <tr><td colspan="2">73</td><td>32</td><td></td><td>30</td><td></td><td></td><td></td><td>28</td><td></td><td>26</td><td></td><td></td><td></td><td></td><td></td><td></td><td></td><td></td><td>19</td><td>18</td></tr> <tr><td colspan="2"></td><td>16</td><td>15</td><td>14</td><td></td><td></td><td></td><td>12</td><td></td><td>10</td><td></td><td></td><td></td><td></td><td></td><td></td><td></td><td></td><td>3</td><td></td></tr> </table>		71	70	69					64	63			60	59	58	57	56	55	54	53	52	51	50	49					45	44	43	42	41		39		37	36			34	73		32		30				28		26									19	18			16	15	14				12		10									3					
	71	70	69					64	63			60	59	58	57	56	55	54	53																																																																										
52	51	50	49					45	44	43	42	41		39		37	36			34																																																																									
73		32		30				28		26									19	18																																																																									
		16	15	14				12		10									3																																																																										


<b>QUALITY SYMBOLS</b> = 0 = 0 = 0 = 0 = 0 = 0 = 0 = 0 = 0	THIS DRAWING CONTAINS INFORMATION THAT IS PROPRIETARY TO MOLEX ELECTRONIC TECHNOLOGIES, LLC AND SHOULD NOT BE USED WITHOUT WRITTEN PERMISSION			
	EC NO: 115716 DRWN: TYE CHKD: REV APPR: JDENG02	2017/04/12 2017/04/21	<b>GENERAL TOLERANCES (UNLESS SPECIFIED)</b> ANGULAR TOL ± ° 4 PLACES ± 3 PLACES ± 2 PLACES ± 1 PLACE ± 0 PLACES ± DRAFT WHERE APPLICABLE MUST REMAIN WITHIN DIMENSIONS	DIMENSION UNITS: <b>MM</b> SCALE: <b>1:1</b> DRWN BY: <b>SKRAJENDRANA</b> DATE: <b>2011/02/14</b> CHKD BY: <b>MVANSLAMBROU</b> DATE: <b>2011/02/14</b> APPR BY: _____ DATE: _____ DRAWING SIZE: <b>D</b> THIRD ANGLE PROJECTION

STATUS	GM PART #	MATERIAL #	WIRE DRESS OPTION	KEY OPTION 	COLOR (TPA) 	NUMBERS INDICATE CAVITIES OPEN FOR CIRCUITS Fp																																																																																
AVAILABLE	NOT APPLICABLE	34566-6333	9	C	BLUE	<table border="1"> <tr><td>72</td><td></td><td>70</td><td></td><td>68</td><td>67</td><td>66</td><td></td><td></td><td>63</td><td>62</td><td></td><td></td><td>59</td><td></td><td>57</td><td>56</td><td>55</td><td></td><td>53</td></tr> <tr><td>52</td><td>51</td><td></td><td></td><td>48</td><td>47</td><td>46</td><td></td><td>44</td><td></td><td></td><td></td><td>40</td><td>39</td><td></td><td></td><td></td><td></td><td>34</td><td>33</td></tr> <tr><td colspan="2">73</td><td></td><td></td><td>32</td><td></td><td>30</td><td></td><td></td><td>27</td><td>26</td><td>25</td><td></td><td></td><td>22</td><td>21</td><td></td><td>19</td><td>18</td><td></td></tr> <tr><td colspan="2"></td><td></td><td></td><td>15</td><td>14</td><td></td><td></td><td></td><td></td><td>10</td><td>9</td><td></td><td></td><td>6</td><td>5</td><td>4</td><td>3</td><td></td><td></td></tr> </table>	72		70		68	67	66			63	62			59		57	56	55		53	52	51			48	47	46		44				40	39					34	33	73				32		30			27	26	25			22	21		19	18						15	14					10	9			6	5	4	3		
72		70		68	67	66			63	62			59		57	56	55		53																																																																			
52	51			48	47	46		44				40	39					34	33																																																																			
73				32		30			27	26	25			22	21		19	18																																																																				
				15	14					10	9			6	5	4	3																																																																					
AVAILABLE	NOT APPLICABLE	34566-6343	9	A	BLACK	<table border="1"> <tr><td></td><td></td><td>70</td><td>69</td><td></td><td></td><td></td><td></td><td></td><td>63</td><td>62</td><td>61</td><td>60</td><td></td><td>58</td><td>57</td><td>56</td><td>55</td><td>54</td><td>53</td></tr> <tr><td>52</td><td>51</td><td>50</td><td>49</td><td></td><td></td><td></td><td></td><td>44</td><td>43</td><td>42</td><td>41</td><td>40</td><td>39</td><td></td><td>37</td><td>36</td><td></td><td>34</td><td></td></tr> <tr><td colspan="2">73</td><td></td><td></td><td>32</td><td></td><td></td><td>29</td><td>28</td><td>27</td><td>26</td><td></td><td></td><td></td><td></td><td></td><td></td><td>19</td><td>18</td><td>17</td></tr> <tr><td colspan="2"></td><td></td><td></td><td>16</td><td>15</td><td>14</td><td>13</td><td>12</td><td>11</td><td>10</td><td></td><td></td><td></td><td></td><td></td><td></td><td>3</td><td>2</td><td>1</td></tr> </table>			70	69						63	62	61	60		58	57	56	55	54	53	52	51	50	49					44	43	42	41	40	39		37	36		34		73				32			29	28	27	26							19	18	17					16	15	14	13	12	11	10							3	2	1
		70	69						63	62	61	60		58	57	56	55	54	53																																																																			
52	51	50	49					44	43	42	41	40	39		37	36		34																																																																				
73				32			29	28	27	26							19	18	17																																																																			
				16	15	14	13	12	11	10							3	2	1																																																																			
AVAILABLE	NOT APPLICABLE	34566-6353	9	C	BLUE	<table border="1"> <tr><td>72</td><td></td><td>70</td><td></td><td>68</td><td></td><td>66</td><td></td><td></td><td>63</td><td>62</td><td></td><td></td><td>59</td><td>58</td><td>57</td><td>56</td><td>55</td><td></td><td>53</td></tr> <tr><td>52</td><td>51</td><td></td><td></td><td>48</td><td>47</td><td>46</td><td></td><td>44</td><td></td><td></td><td></td><td>40</td><td>39</td><td></td><td></td><td></td><td></td><td>34</td><td>33</td></tr> <tr><td colspan="2">73</td><td></td><td></td><td>32</td><td></td><td>30</td><td></td><td></td><td>27</td><td>26</td><td>25</td><td></td><td>23</td><td>22</td><td>21</td><td>20</td><td></td><td></td><td>17</td></tr> <tr><td colspan="2"></td><td></td><td></td><td>15</td><td>14</td><td>13</td><td></td><td></td><td>10</td><td>9</td><td></td><td>7</td><td>6</td><td>5</td><td>4</td><td></td><td></td><td></td><td>1</td></tr> </table>	72		70		68		66			63	62			59	58	57	56	55		53	52	51			48	47	46		44				40	39					34	33	73				32		30			27	26	25		23	22	21	20			17					15	14	13			10	9		7	6	5	4				1
72		70		68		66			63	62			59	58	57	56	55		53																																																																			
52	51			48	47	46		44				40	39					34	33																																																																			
73				32		30			27	26	25		23	22	21	20			17																																																																			
				15	14	13			10	9		7	6	5	4				1																																																																			
AVAILABLE	NOT APPLICABLE	34566-6363	9	B	ST.GRAY	<table border="1"> <tr><td>72</td><td></td><td>70</td><td></td><td>68</td><td></td><td>66</td><td></td><td></td><td></td><td></td><td></td><td>60</td><td>59</td><td></td><td></td><td></td><td>55</td><td>54</td><td>53</td></tr> <tr><td>52</td><td></td><td>50</td><td></td><td>48</td><td></td><td>46</td><td></td><td></td><td></td><td></td><td></td><td>40</td><td>39</td><td></td><td></td><td></td><td>35</td><td>34</td><td>33</td></tr> <tr><td colspan="2">73</td><td></td><td></td><td>32</td><td>31</td><td>30</td><td>29</td><td>28</td><td>27</td><td>26</td><td>25</td><td>24</td><td>23</td><td></td><td></td><td></td><td>19</td><td>18</td><td>17</td></tr> <tr><td colspan="2"></td><td></td><td></td><td>16</td><td></td><td></td><td></td><td></td><td></td><td>10</td><td>8</td><td>7</td><td></td><td></td><td></td><td></td><td>2</td><td>1</td><td></td></tr> </table>	72		70		68		66						60	59				55	54	53	52		50		48		46						40	39				35	34	33	73				32	31	30	29	28	27	26	25	24	23				19	18	17					16						10	8	7					2	1	
72		70		68		66						60	59				55	54	53																																																																			
52		50		48		46						40	39				35	34	33																																																																			
73				32	31	30	29	28	27	26	25	24	23				19	18	17																																																																			
				16						10	8	7					2	1																																																																				
AVAILABLE	NOT APPLICABLE	34566-6373	9	A	BLACK	<table border="1"> <tr><td>72</td><td>71</td><td>70</td><td>69</td><td></td><td>67</td><td></td><td></td><td>64</td><td>63</td><td></td><td></td><td>60</td><td>59</td><td>58</td><td>57</td><td>56</td><td>55</td><td>54</td><td>53</td></tr> <tr><td>52</td><td>51</td><td>50</td><td>49</td><td></td><td>47</td><td></td><td>45</td><td>44</td><td>43</td><td>42</td><td>41</td><td>40</td><td>39</td><td></td><td>37</td><td>36</td><td></td><td>34</td><td></td></tr> <tr><td colspan="2">73</td><td></td><td></td><td>32</td><td></td><td>30</td><td></td><td>28</td><td></td><td>26</td><td></td><td></td><td>23</td><td>21</td><td></td><td>19</td><td>18</td><td>17</td><td></td></tr> <tr><td colspan="2"></td><td></td><td></td><td>16</td><td>15</td><td>14</td><td></td><td>12</td><td></td><td>10</td><td></td><td>8</td><td></td><td>5</td><td>3</td><td>2</td><td>1</td><td></td><td></td></tr> </table>	72	71	70	69		67			64	63			60	59	58	57	56	55	54	53	52	51	50	49		47		45	44	43	42	41	40	39		37	36		34		73				32		30		28		26			23	21		19	18	17						16	15	14		12		10		8		5	3	2	1		
72	71	70	69		67			64	63			60	59	58	57	56	55	54	53																																																																			
52	51	50	49		47		45	44	43	42	41	40	39		37	36		34																																																																				
73				32		30		28		26			23	21		19	18	17																																																																				
				16	15	14		12		10		8		5	3	2	1																																																																					
AVAILABLE	NOT APPLICABLE	34566-6383	9	A	BLACK	<table border="1"> <tr><td>72</td><td>71</td><td>70</td><td>69</td><td>68</td><td></td><td>66</td><td>65</td><td>64</td><td>63</td><td></td><td>61</td><td>60</td><td></td><td></td><td>57</td><td>56</td><td></td><td>54</td><td>53</td></tr> <tr><td>52</td><td>51</td><td>50</td><td>49</td><td>48</td><td></td><td>46</td><td>45</td><td>44</td><td>43</td><td>42</td><td>41</td><td>40</td><td>39</td><td>38</td><td>37</td><td>36</td><td></td><td>34</td><td>33</td></tr> <tr><td colspan="2">73</td><td></td><td></td><td>32</td><td>31</td><td>30</td><td>29</td><td>28</td><td></td><td></td><td></td><td></td><td>23</td><td>22</td><td>21</td><td></td><td></td><td></td><td>2</td></tr> <tr><td colspan="2"></td><td></td><td></td><td>15</td><td>14</td><td>13</td><td>12</td><td></td><td></td><td></td><td>9</td><td>7</td><td>6</td><td>5</td><td></td><td></td><td></td><td></td><td>1</td></tr> </table>	72	71	70	69	68		66	65	64	63		61	60			57	56		54	53	52	51	50	49	48		46	45	44	43	42	41	40	39	38	37	36		34	33	73				32	31	30	29	28					23	22	21				2					15	14	13	12				9	7	6	5					1
72	71	70	69	68		66	65	64	63		61	60			57	56		54	53																																																																			
52	51	50	49	48		46	45	44	43	42	41	40	39	38	37	36		34	33																																																																			
73				32	31	30	29	28					23	22	21				2																																																																			
				15	14	13	12				9	7	6	5					1																																																																			
AVAILABLE	NOT APPLICABLE	34566-6393	9	C	BLUE	<table border="1"> <tr><td></td><td>71</td><td>70</td><td>69</td><td></td><td>67</td><td>66</td><td>65</td><td>64</td><td></td><td>62</td><td>61</td><td>60</td><td></td><td>58</td><td>57</td><td></td><td>55</td><td>54</td><td></td></tr> <tr><td>52</td><td>51</td><td>50</td><td>49</td><td></td><td>48</td><td>47</td><td>46</td><td>45</td><td>44</td><td></td><td>42</td><td>41</td><td></td><td></td><td>38</td><td>37</td><td></td><td>35</td><td>34</td></tr> <tr><td colspan="2">73</td><td></td><td></td><td>32</td><td></td><td></td><td></td><td>28</td><td>27</td><td>26</td><td>25</td><td></td><td></td><td></td><td></td><td></td><td></td><td>19</td><td>18</td></tr> <tr><td colspan="2"></td><td></td><td></td><td>16</td><td>15</td><td>14</td><td>13</td><td>12</td><td>11</td><td>10</td><td>9</td><td></td><td></td><td></td><td></td><td></td><td></td><td></td><td></td></tr> </table>		71	70	69		67	66	65	64		62	61	60		58	57		55	54		52	51	50	49		48	47	46	45	44		42	41			38	37		35	34	73				32				28	27	26	25							19	18					16	15	14	13	12	11	10	9								
	71	70	69		67	66	65	64		62	61	60		58	57		55	54																																																																				
52	51	50	49		48	47	46	45	44		42	41			38	37		35	34																																																																			
73				32				28	27	26	25							19	18																																																																			
				16	15	14	13	12	11	10	9																																																																											
AVAILABLE	NOT APPLICABLE	34566-6413	9	B	ST.GRAY	<table border="1"> <tr><td>72</td><td></td><td></td><td></td><td>68</td><td>67</td><td></td><td></td><td></td><td>63</td><td>62</td><td>61</td><td>60</td><td>59</td><td></td><td></td><td></td><td></td><td>55</td><td></td></tr> <tr><td>52</td><td></td><td></td><td></td><td>48</td><td>47</td><td>46</td><td></td><td>44</td><td>43</td><td></td><td>41</td><td>40</td><td></td><td>38</td><td>37</td><td>36</td><td>35</td><td></td><td></td></tr> <tr><td colspan="2">73</td><td></td><td></td><td></td><td></td><td>30</td><td></td><td></td><td>27</td><td></td><td></td><td></td><td></td><td></td><td></td><td></td><td>20</td><td>19</td><td>18</td></tr> <tr><td colspan="2"></td><td></td><td></td><td>16</td><td>15</td><td>14</td><td></td><td></td><td>11</td><td></td><td></td><td>8</td><td></td><td></td><td></td><td>4</td><td></td><td></td><td>1</td></tr> </table>	72				68	67				63	62	61	60	59					55		52				48	47	46		44	43		41	40		38	37	36	35			73						30			27								20	19	18					16	15	14			11			8				4			1
72				68	67				63	62	61	60	59					55																																																																				
52				48	47	46		44	43		41	40		38	37	36	35																																																																					
73						30			27								20	19	18																																																																			
				16	15	14			11			8				4			1																																																																			
AVAILABLE	NOT APPLICABLE	34566-6423	9	C	BLUE	<table border="1"> <tr><td>72</td><td>71</td><td>70</td><td>69</td><td></td><td>67</td><td>66</td><td>65</td><td>64</td><td></td><td></td><td></td><td></td><td></td><td></td><td></td><td>56</td><td></td><td>54</td><td></td></tr> <tr><td>52</td><td>51</td><td>50</td><td>49</td><td></td><td>47</td><td>46</td><td>45</td><td>44</td><td></td><td></td><td></td><td></td><td>39</td><td>38</td><td></td><td></td><td></td><td>34</td><td></td></tr> <tr><td colspan="2">73</td><td></td><td></td><td></td><td>31</td><td>30</td><td>29</td><td>28</td><td></td><td>26</td><td>25</td><td></td><td>23</td><td>22</td><td>21</td><td></td><td></td><td></td><td>17</td></tr> <tr><td colspan="2"></td><td></td><td></td><td></td><td>16</td><td>15</td><td>14</td><td>13</td><td>12</td><td></td><td>9</td><td>7</td><td>6</td><td>5</td><td></td><td></td><td></td><td></td><td></td></tr> </table>	72	71	70	69		67	66	65	64								56		54		52	51	50	49		47	46	45	44					39	38				34		73					31	30	29	28		26	25		23	22	21				17						16	15	14	13	12		9	7	6	5					
72	71	70	69		67	66	65	64								56		54																																																																				
52	51	50	49		47	46	45	44					39	38				34																																																																				
73					31	30	29	28		26	25		23	22	21				17																																																																			
					16	15	14	13	12		9	7	6	5																																																																								

<b>QUALITY SYMBOLS</b> = 0 = 0 = 0 = 0 = 0 = 0 = 0 = 0 = 0	THIS DRAWING CONTAINS INFORMATION THAT IS PROPRIETARY TO MOLEX ELECTRONIC TECHNOLOGIES, LLC AND SHOULD NOT BE USED WITHOUT WRITTEN PERMISSION																		
	EC NO: 115716 DRWN: TYE CHKD: REV APPR: JDENG02	2017/04/12 2017/04/21	<b>GENERAL TOLERANCES (UNLESS SPECIFIED)</b> ANGULAR TOL ± ° 4 PLACES ± 3 PLACES ± 2 PLACES ± 1 PLACE ± 0 PLACES ± DRAFT WHERE APPLICABLE MUST REMAIN WITHIN DIMENSIONS	DIMENSION UNITS: MM SCALE: 1:1 DRWN BY: SKRAJENDRANA DATE: 2011/02/14 CHKD BY: MVANSLAMBROU DATE: 2011/02/14 APPR BY:	 <b>MX123</b> <b>66/73/80CKT HRNS CONN ASSY</b> <b>PRODUCT CUSTOMER DRAWING</b>														
<b>RELEASE STATUS</b> 19	<b>RELEASE DATE</b> 18	17	16	15	14	13	12	11	10	9	8	7	6	5	4	3	2	1	
<b>DOCUMENT NUMBER</b> SD-34566-001		<b>DOC TYPE</b> PSD	<b>DOC PART</b> 000	<b>SHEET NUMBER</b> 70 OF 93															



STATUS	GM PART #	MATERIAL #	WIRE DRESS OPTION	KEY OPTION ▽	COLOR (TPA) ▽	NUMBERS INDICATE CAVITIES OPEN FOR CIRCUITS F <sub>p</sub>																																																																															
AVAILABLE	NOT APPLICABLE	34566-6433	9	A	BLACK	<table border="1"> <tr><td>72</td><td>70</td><td></td><td>67</td><td></td><td></td><td>63</td><td></td><td>60</td><td>59</td><td>58</td><td>57</td><td>56</td><td>55</td><td></td><td></td></tr> <tr><td>52</td><td>51</td><td></td><td>48</td><td>47</td><td>46</td><td></td><td>43</td><td>42</td><td>40</td><td>39</td><td>38</td><td>37</td><td>36</td><td>35</td><td></td></tr> <tr><td colspan="3">73</td><td></td><td></td><td></td><td>28</td><td>27</td><td></td><td></td><td>22</td><td>21</td><td></td><td></td><td>18</td><td>17</td></tr> <tr><td colspan="3">73</td><td></td><td></td><td></td><td>12</td><td>11</td><td>9</td><td>7</td><td></td><td></td><td></td><td></td><td>2</td><td>1</td></tr> </table>	72	70		67			63		60	59	58	57	56	55			52	51		48	47	46		43	42	40	39	38	37	36	35		73						28	27			22	21			18	17	73						12	11	9	7					2	1															
72	70		67			63		60	59	58	57	56	55																																																																								
52	51		48	47	46		43	42	40	39	38	37	36	35																																																																							
73						28	27			22	21			18	17																																																																						
73						12	11	9	7					2	1																																																																						
AVAILABLE	NOT APPLICABLE	34566-6443	9	B	ST.GRAY	<table border="1"> <tr><td>72</td><td>71</td><td>70</td><td>69</td><td>68</td><td>67</td><td>66</td><td>65</td><td>64</td><td>63</td><td></td><td>61</td><td>60</td><td></td><td>57</td><td>56</td><td>55</td><td></td><td></td></tr> <tr><td>52</td><td>51</td><td>50</td><td>49</td><td>48</td><td>47</td><td>46</td><td>45</td><td>44</td><td>43</td><td></td><td>41</td><td>40</td><td></td><td>38</td><td>37</td><td>36</td><td>35</td><td>34</td><td>33</td></tr> <tr><td colspan="3">73</td><td></td><td>32</td><td>31</td><td>30</td><td>29</td><td>28</td><td></td><td>26</td><td>25</td><td>24</td><td>23</td><td>22</td><td>21</td><td>20</td><td>19</td><td>18</td><td>17</td></tr> <tr><td colspan="3">73</td><td></td><td>16</td><td>15</td><td>14</td><td>13</td><td>12</td><td>11</td><td></td><td>9</td><td>8</td><td>7</td><td>6</td><td>5</td><td>4</td><td>3</td><td>2</td><td>1</td></tr> </table>	72	71	70	69	68	67	66	65	64	63		61	60		57	56	55			52	51	50	49	48	47	46	45	44	43		41	40		38	37	36	35	34	33	73				32	31	30	29	28		26	25	24	23	22	21	20	19	18	17	73				16	15	14	13	12	11		9	8	7	6	5	4	3	2	1
72	71	70	69	68	67	66	65	64	63		61	60		57	56	55																																																																					
52	51	50	49	48	47	46	45	44	43		41	40		38	37	36	35	34	33																																																																		
73				32	31	30	29	28		26	25	24	23	22	21	20	19	18	17																																																																		
73				16	15	14	13	12	11		9	8	7	6	5	4	3	2	1																																																																		
AVAILABLE	NOT APPLICABLE	34566-6453	0	C	BLUE	<table border="1"> <tr><td></td><td>71</td><td>70</td><td>69</td><td></td><td>67</td><td></td><td>65</td><td>64</td><td></td><td>62</td><td>61</td><td>60</td><td></td><td>57</td><td></td><td>54</td><td></td><td></td></tr> <tr><td>52</td><td>51</td><td>50</td><td>49</td><td>48</td><td>47</td><td>46</td><td>45</td><td>44</td><td></td><td>42</td><td>41</td><td></td><td></td><td>37</td><td></td><td>34</td><td>33</td><td></td></tr> <tr><td colspan="3">73</td><td></td><td>32</td><td></td><td></td><td>28</td><td>27</td><td>26</td><td>25</td><td></td><td></td><td></td><td></td><td></td><td>18</td><td>17</td><td></td></tr> <tr><td colspan="3">73</td><td></td><td>16</td><td>15</td><td>14</td><td>13</td><td>12</td><td>11</td><td>10</td><td>9</td><td>8</td><td>7</td><td></td><td></td><td></td><td></td><td></td></tr> </table>		71	70	69		67		65	64		62	61	60		57		54			52	51	50	49	48	47	46	45	44		42	41			37		34	33		73				32			28	27	26	25						18	17		73				16	15	14	13	12	11	10	9	8	7								
	71	70	69		67		65	64		62	61	60		57		54																																																																					
52	51	50	49	48	47	46	45	44		42	41			37		34	33																																																																				
73				32			28	27	26	25						18	17																																																																				
73				16	15	14	13	12	11	10	9	8	7																																																																								
AVAILABLE	NOT APPLICABLE	34566-6463	0	B	ST.GRAY	<table border="1"> <tr><td>72</td><td></td><td></td><td>68</td><td>67</td><td></td><td></td><td></td><td>62</td><td>61</td><td></td><td></td><td></td><td></td><td>55</td><td></td><td></td><td></td><td></td></tr> <tr><td>52</td><td></td><td></td><td>48</td><td>47</td><td>46</td><td></td><td></td><td>43</td><td></td><td>40</td><td></td><td></td><td></td><td></td><td></td><td></td><td></td><td></td></tr> <tr><td colspan="3">73</td><td></td><td></td><td>30</td><td></td><td></td><td></td><td></td><td></td><td></td><td></td><td></td><td>20</td><td>19</td><td>18</td><td></td><td></td></tr> <tr><td colspan="3">73</td><td></td><td>16</td><td>15</td><td>14</td><td></td><td></td><td></td><td>8</td><td></td><td></td><td></td><td>4</td><td></td><td>2</td><td></td><td></td></tr> </table>	72			68	67				62	61					55					52			48	47	46			43		40									73					30									20	19	18			73				16	15	14				8				4		2					
72			68	67				62	61					55																																																																							
52			48	47	46			43		40																																																																											
73					30									20	19	18																																																																					
73				16	15	14				8				4		2																																																																					
AVAILABLE	NOT APPLICABLE	34566-6473	9	C	BLUE	<table border="1"> <tr><td></td><td></td><td>70</td><td>69</td><td></td><td>67</td><td>66</td><td></td><td>64</td><td></td><td>62</td><td></td><td>60</td><td></td><td>57</td><td></td><td>55</td><td>54</td><td></td></tr> <tr><td>52</td><td>51</td><td>50</td><td>49</td><td>48</td><td>47</td><td>46</td><td>45</td><td>44</td><td></td><td>42</td><td></td><td></td><td></td><td>37</td><td></td><td>35</td><td>34</td><td>33</td></tr> <tr><td colspan="3">73</td><td></td><td>32</td><td></td><td></td><td>28</td><td>27</td><td>26</td><td></td><td></td><td></td><td></td><td></td><td></td><td>19</td><td>18</td><td>17</td></tr> <tr><td colspan="3">73</td><td></td><td>16</td><td>15</td><td>14</td><td>13</td><td>12</td><td>11</td><td>10</td><td>9</td><td>8</td><td>7</td><td></td><td></td><td></td><td></td><td></td></tr> </table>			70	69		67	66		64		62		60		57		55	54		52	51	50	49	48	47	46	45	44		42				37		35	34	33	73				32			28	27	26							19	18	17	73				16	15	14	13	12	11	10	9	8	7								
		70	69		67	66		64		62		60		57		55	54																																																																				
52	51	50	49	48	47	46	45	44		42				37		35	34	33																																																																			
73				32			28	27	26							19	18	17																																																																			
73				16	15	14	13	12	11	10	9	8	7																																																																								
AVAILABLE	NOT APPLICABLE	34566-6483	9	A	BLACK	<table border="1"> <tr><td>72</td><td>71</td><td>70</td><td>69</td><td>68</td><td></td><td>66</td><td>65</td><td>64</td><td>63</td><td></td><td>61</td><td>60</td><td></td><td>57</td><td>56</td><td>54</td><td>53</td><td></td></tr> <tr><td>52</td><td>51</td><td>50</td><td>49</td><td>48</td><td></td><td>46</td><td>45</td><td>44</td><td>43</td><td></td><td>40</td><td>39</td><td>38</td><td>37</td><td>36</td><td>34</td><td>33</td><td></td></tr> <tr><td colspan="3">73</td><td></td><td>32</td><td>31</td><td>30</td><td>29</td><td>28</td><td></td><td>26</td><td>25</td><td>23</td><td>22</td><td>21</td><td>20</td><td></td><td></td><td></td></tr> <tr><td colspan="3">73</td><td></td><td></td><td>15</td><td>14</td><td>13</td><td>12</td><td></td><td>9</td><td>7</td><td>6</td><td>5</td><td></td><td></td><td>2</td><td></td><td></td></tr> </table>	72	71	70	69	68		66	65	64	63		61	60		57	56	54	53		52	51	50	49	48		46	45	44	43		40	39	38	37	36	34	33		73				32	31	30	29	28		26	25	23	22	21	20				73					15	14	13	12		9	7	6	5			2					
72	71	70	69	68		66	65	64	63		61	60		57	56	54	53																																																																				
52	51	50	49	48		46	45	44	43		40	39	38	37	36	34	33																																																																				
73				32	31	30	29	28		26	25	23	22	21	20																																																																						
73					15	14	13	12		9	7	6	5			2																																																																					
AVAILABLE	NOT APPLICABLE	34566-6493	9	B	ST.GRAY	<table border="1"> <tr><td>72</td><td></td><td>70</td><td></td><td></td><td></td><td></td><td></td><td></td><td>62</td><td>61</td><td></td><td></td><td></td><td>55</td><td></td><td></td><td></td><td></td></tr> <tr><td>52</td><td></td><td></td><td>48</td><td>47</td><td>46</td><td></td><td></td><td>43</td><td>41</td><td>40</td><td></td><td></td><td></td><td></td><td></td><td>20</td><td>19</td><td>18</td></tr> <tr><td colspan="3">73</td><td></td><td></td><td>30</td><td></td><td></td><td></td><td></td><td></td><td></td><td></td><td></td><td></td><td>4</td><td></td><td>2</td><td></td></tr> <tr><td colspan="3">73</td><td></td><td>16</td><td>15</td><td>14</td><td></td><td></td><td></td><td></td><td></td><td></td><td></td><td></td><td></td><td></td><td></td><td></td></tr> </table>	72		70							62	61				55					52			48	47	46			43	41	40						20	19	18	73					30										4		2		73				16	15	14															
72		70							62	61				55																																																																							
52			48	47	46			43	41	40						20	19	18																																																																			
73					30										4		2																																																																				
73				16	15	14																																																																															
AVAILABLE	NOT APPLICABLE	34566-6513	0	B	ST.GRAY	<table border="1"> <tr><td>72</td><td></td><td></td><td></td><td>68</td><td>67</td><td></td><td></td><td></td><td>62</td><td>61</td><td></td><td></td><td></td><td></td><td>55</td><td>54</td><td></td><td></td></tr> <tr><td>52</td><td></td><td></td><td></td><td></td><td>46</td><td></td><td></td><td>43</td><td></td><td>40</td><td></td><td></td><td></td><td></td><td></td><td>20</td><td>19</td><td>18</td></tr> <tr><td colspan="3">73</td><td></td><td></td><td></td><td></td><td></td><td></td><td></td><td></td><td></td><td></td><td></td><td></td><td>4</td><td>3</td><td>2</td><td>17</td></tr> <tr><td colspan="3">73</td><td></td><td>16</td><td>15</td><td>14</td><td></td><td></td><td></td><td>8</td><td></td><td></td><td></td><td></td><td></td><td></td><td></td><td></td></tr> </table>	72				68	67				62	61					55	54			52					46			43		40						20	19	18	73															4	3	2	17	73				16	15	14				8											
72				68	67				62	61					55	54																																																																					
52					46			43		40						20	19	18																																																																			
73															4	3	2	17																																																																			
73				16	15	14				8																																																																											
AVAILABLE	NOT APPLICABLE	34566-6523	0	B	ST.GRAY	<table border="1"> <tr><td></td><td></td><td></td><td></td><td>68</td><td>67</td><td></td><td></td><td>64</td><td></td><td></td><td></td><td>59</td><td>58</td><td></td><td></td><td>54</td><td></td><td></td></tr> <tr><td></td><td></td><td></td><td></td><td></td><td>46</td><td>45</td><td></td><td></td><td></td><td></td><td></td><td>39</td><td>38</td><td></td><td></td><td></td><td></td><td></td></tr> <tr><td colspan="3">73</td><td></td><td>32</td><td>30</td><td>29</td><td>28</td><td>27</td><td></td><td></td><td></td><td>23</td><td>22</td><td></td><td></td><td></td><td></td><td>17</td></tr> <tr><td colspan="3">73</td><td></td><td></td><td>15</td><td>13</td><td>11</td><td>10</td><td></td><td></td><td></td><td>6</td><td></td><td></td><td></td><td></td><td></td><td>1</td></tr> </table>					68	67			64				59	58			54								46	45						39	38						73				32	30	29	28	27				23	22					17	73					15	13	11	10				6						1			
				68	67			64				59	58			54																																																																					
					46	45						39	38																																																																								
73				32	30	29	28	27				23	22					17																																																																			
73					15	13	11	10				6						1																																																																			

<b>QUALITY SYMBOLS</b> ▽ = 0 ▽ = 0 ▽ = 0 ▽ = 0 ▽ = 0 ▽ = 0 ▽ = 0 ▽ = 0 ▽ = 0	THIS DRAWING CONTAINS INFORMATION THAT IS PROPRIETARY TO MOLEX ELECTRONIC TECHNOLOGIES, LLC AND SHOULD NOT BE USED WITHOUT WRITTEN PERMISSION									
	2017/04/12	2017/04/21	GENERAL TOLERANCES (UNLESS SPECIFIED)		DIMENSION UNITS	SCALE	 MX123 66/73/80CKT HRNS CONN ASSY			
	MM	1:1								
	DRWN BY	DATE	ANGULAR TOL ± °		SKRAJENDRANA	2011/02/14				
	4 PLACES ±	3 PLACES ±	2 PLACES ±	1 PLACE ±	0 PLACES ±	DATE				
	CHKD BY	DATE	DRAFT WHERE APPLICABLE MUST REMAIN WITHIN DIMENSIONS		DRAWING SIZE	THIRD ANGLE PROJECTION				
	MVANSLAMBROU	2011/02/14	D	⊕						
	APPR BY	DATE	PRODUCT CUSTOMER DRAWING							
	EC NO: 115716	DRWN: TYE	CHKD: JDENG02	REV: APPR: JDENG02	SERIES	MATERIAL NUMBER	CUSTOMER			
	G50				34566	SEE BOM TABLE	GENERAL MARKET			
				DOCUMENT NUMBER	DOC TYPE	DOC PART	SHEET NUMBER			
				SD-34566-001	PSD	000	71 OF 93			











STATUS	GM PART #	MATERIAL #	WIRE DRESS OPTION	KEY OPTION	COLOR (TPA)	NUMBERS INDICATE CAVITIES OPEN FOR CIRCUITS F <sub>P</sub>																																																																																		
AVAILABLE	NOT APPLICABLE	34566-7023	0	A	BLACK	<table border="1"> <tr><td>72</td><td>71</td><td>70</td><td>69</td><td>68</td><td></td><td>66</td><td>65</td><td>64</td><td></td><td></td><td>61</td><td>60</td><td></td><td></td><td>57</td><td>56</td><td></td><td>54</td><td>53</td></tr> <tr><td>52</td><td>51</td><td>50</td><td>49</td><td>48</td><td></td><td>46</td><td>45</td><td>44</td><td>43</td><td></td><td></td><td>40</td><td>39</td><td>38</td><td>37</td><td>36</td><td></td><td>34</td><td>33</td></tr> <tr><td colspan="4">73</td><td></td><td>31</td><td>30</td><td>29</td><td>28</td><td></td><td></td><td>26</td><td>25</td><td></td><td>23</td><td>22</td><td>21</td><td>20</td><td></td><td></td></tr> <tr><td colspan="4"></td><td></td><td>15</td><td>14</td><td>13</td><td>12</td><td></td><td></td><td></td><td>9</td><td>7</td><td>6</td><td>5</td><td>4</td><td></td><td></td><td>2</td><td></td></tr> </table>	72	71	70	69	68		66	65	64			61	60			57	56		54	53	52	51	50	49	48		46	45	44	43			40	39	38	37	36		34	33	73					31	30	29	28			26	25		23	22	21	20								15	14	13	12				9	7	6	5	4			2		
72	71	70	69	68		66	65	64			61	60			57	56		54	53																																																																					
52	51	50	49	48		46	45	44	43			40	39	38	37	36		34	33																																																																					
73					31	30	29	28			26	25		23	22	21	20																																																																							
					15	14	13	12				9	7	6	5	4			2																																																																					
AVAILABLE	NOT APPLICABLE	34566-7033	0	A	BLACK	<table border="1"> <tr><td></td><td></td><td>70</td><td>69</td><td></td><td></td><td>65</td><td></td><td>63</td><td>62</td><td>61</td><td>60</td><td></td><td></td><td>58</td><td>57</td><td>56</td><td>55</td><td>54</td><td>53</td></tr> <tr><td>52</td><td>51</td><td></td><td>49</td><td></td><td></td><td></td><td>44</td><td>43</td><td>42</td><td>41</td><td></td><td></td><td></td><td></td><td>37</td><td>36</td><td></td><td>34</td><td></td></tr> <tr><td colspan="4">73</td><td></td><td>32</td><td></td><td></td><td>29</td><td>28</td><td>27</td><td>26</td><td></td><td></td><td></td><td>21</td><td></td><td></td><td>19</td><td>18</td></tr> <tr><td colspan="4"></td><td></td><td>16</td><td>15</td><td></td><td>13</td><td>12</td><td>11</td><td>10</td><td></td><td>8</td><td></td><td></td><td>5</td><td></td><td>3</td><td></td><td></td></tr> </table>			70	69			65		63	62	61	60			58	57	56	55	54	53	52	51		49				44	43	42	41					37	36		34		73					32			29	28	27	26				21			19	18						16	15		13	12	11	10		8			5		3			
		70	69			65		63	62	61	60			58	57	56	55	54	53																																																																					
52	51		49				44	43	42	41					37	36		34																																																																						
73					32			29	28	27	26				21			19	18																																																																					
					16	15		13	12	11	10		8			5		3																																																																						
AVAILABLE	NOT APPLICABLE	34566-7043	0	B	ST.GRAY	<table border="1"> <tr><td>72</td><td></td><td></td><td></td><td>68</td><td>67</td><td></td><td></td><td></td><td>63</td><td>62</td><td>61</td><td>60</td><td>59</td><td></td><td></td><td></td><td></td><td>55</td><td></td></tr> <tr><td>52</td><td></td><td></td><td></td><td></td><td></td><td>46</td><td></td><td></td><td>43</td><td></td><td>41</td><td>40</td><td></td><td></td><td></td><td></td><td></td><td>20</td><td>19</td></tr> <tr><td colspan="4">73</td><td></td><td></td><td></td><td></td><td></td><td>27</td><td></td><td></td><td></td><td></td><td></td><td></td><td></td><td></td><td>4</td><td>18</td></tr> <tr><td colspan="4"></td><td></td><td>16</td><td></td><td>14</td><td></td><td></td><td>11</td><td></td><td></td><td>8</td><td></td><td></td><td></td><td></td><td></td><td></td><td></td></tr> </table>	72				68	67				63	62	61	60	59					55		52						46			43		41	40						20	19	73									27									4	18						16		14			11			8								
72				68	67				63	62	61	60	59					55																																																																						
52						46			43		41	40						20	19																																																																					
73									27									4	18																																																																					
					16		14			11			8																																																																											
AVAILABLE	NOT APPLICABLE	34566-7053	0	C	BLUE	<table border="1"> <tr><td></td><td>71</td><td></td><td>69</td><td></td><td>67</td><td></td><td>65</td><td>64</td><td></td><td>62</td><td>61</td><td>60</td><td></td><td></td><td>57</td><td></td><td></td><td>54</td><td></td></tr> <tr><td>52</td><td>51</td><td>50</td><td>49</td><td>48</td><td>47</td><td>46</td><td>45</td><td>44</td><td></td><td>42</td><td>41</td><td></td><td></td><td></td><td>37</td><td></td><td></td><td>34</td><td>33</td></tr> <tr><td colspan="4">73</td><td></td><td></td><td></td><td></td><td>28</td><td>27</td><td>26</td><td>25</td><td></td><td></td><td></td><td></td><td></td><td></td><td></td><td></td><td></td></tr> <tr><td colspan="4"></td><td></td><td>16</td><td>15</td><td>14</td><td>13</td><td>12</td><td>11</td><td>10</td><td>9</td><td>8</td><td>7</td><td></td><td></td><td></td><td></td><td></td><td></td></tr> </table>		71		69		67		65	64		62	61	60			57			54		52	51	50	49	48	47	46	45	44		42	41				37			34	33	73								28	27	26	25															16	15	14	13	12	11	10	9	8	7						
	71		69		67		65	64		62	61	60			57			54																																																																						
52	51	50	49	48	47	46	45	44		42	41				37			34	33																																																																					
73								28	27	26	25																																																																													
					16	15	14	13	12	11	10	9	8	7																																																																										
AVAILABLE	NOT APPLICABLE	34566-7063	0	C	BLUE	<table border="1"> <tr><td>72</td><td></td><td>70</td><td></td><td>68</td><td>67</td><td>66</td><td></td><td></td><td>63</td><td>62</td><td></td><td></td><td>59</td><td></td><td>57</td><td></td><td></td><td></td><td>53</td></tr> <tr><td>52</td><td>51</td><td></td><td></td><td>48</td><td>47</td><td>46</td><td></td><td>44</td><td></td><td></td><td></td><td>40</td><td>39</td><td></td><td></td><td></td><td></td><td>34</td><td>33</td></tr> <tr><td colspan="4">73</td><td></td><td>32</td><td></td><td>30</td><td></td><td></td><td></td><td>26</td><td>25</td><td></td><td></td><td>22</td><td>21</td><td></td><td></td><td></td></tr> <tr><td colspan="4"></td><td></td><td>15</td><td>14</td><td>13</td><td></td><td></td><td>10</td><td>9</td><td></td><td></td><td>6</td><td>5</td><td>4</td><td></td><td></td><td></td></tr> </table>	72		70		68	67	66			63	62			59		57				53	52	51			48	47	46		44				40	39					34	33	73					32		30				26	25			22	21									15	14	13			10	9			6	5	4					
72		70		68	67	66			63	62			59		57				53																																																																					
52	51			48	47	46		44				40	39					34	33																																																																					
73					32		30				26	25			22	21																																																																								
					15	14	13			10	9			6	5	4																																																																								
AVAILABLE	NOT APPLICABLE	34566-7073	9	F	NATURAL	<table border="1"> <tr><td></td><td></td><td></td><td>69</td><td>68</td><td></td><td></td><td></td><td></td><td></td><td></td><td></td><td></td><td></td><td>58</td><td>57</td><td></td><td></td><td></td><td></td></tr> <tr><td></td><td></td><td></td><td></td><td></td><td></td><td></td><td></td><td></td><td>43</td><td>42</td><td></td><td></td><td></td><td></td><td>38</td><td>37</td><td></td><td></td><td>33</td></tr> <tr><td colspan="4">73</td><td></td><td></td><td>30</td><td></td><td></td><td></td><td></td><td></td><td></td><td></td><td></td><td></td><td></td><td></td><td>19</td><td>18</td></tr> <tr><td colspan="4"></td><td></td><td></td><td></td><td></td><td></td><td></td><td></td><td></td><td></td><td></td><td></td><td></td><td></td><td></td><td>3</td><td>2</td></tr> </table>				69	68										58	57														43	42					38	37			33	73						30												19	18																			3	2		
			69	68										58	57																																																																									
									43	42					38	37			33																																																																					
73						30												19	18																																																																					
																		3	2																																																																					
AVAILABLE	NOT APPLICABLE	34566-7083	9	B	ST.GRAY	<table border="1"> <tr><td></td><td></td><td></td><td></td><td></td><td></td><td></td><td></td><td></td><td></td><td></td><td></td><td></td><td></td><td></td><td></td><td></td><td></td><td></td><td></td></tr> <tr><td colspan="4">73</td><td></td><td></td><td></td><td></td><td></td><td></td><td></td><td></td><td></td><td>8</td><td>7</td><td></td><td></td><td></td><td>3</td><td>2</td></tr> <tr><td colspan="4"></td><td></td><td>16</td><td>15</td><td>14</td><td>13</td><td>12</td><td>11</td><td>10</td><td></td><td></td><td></td><td></td><td></td><td></td><td></td><td></td><td></td></tr> </table>																					73													8	7				3	2						16	15	14	13	12	11	10																														
73													8	7				3	2																																																																					
					16	15	14	13	12	11	10																																																																													
AVAILABLE	NOT APPLICABLE	34566-7093	9	B	ST.GRAY	<table border="1"> <tr><td>72</td><td>71</td><td>70</td><td>69</td><td>68</td><td>67</td><td>66</td><td>65</td><td>64</td><td>63</td><td></td><td></td><td></td><td>59</td><td></td><td></td><td></td><td></td><td></td><td>53</td></tr> <tr><td>52</td><td>51</td><td>50</td><td>49</td><td>48</td><td>47</td><td>46</td><td>45</td><td>44</td><td>43</td><td></td><td></td><td></td><td>39</td><td></td><td></td><td></td><td></td><td>34</td><td>33</td></tr> <tr><td colspan="4">73</td><td></td><td>32</td><td>31</td><td>30</td><td>29</td><td>28</td><td>27</td><td>26</td><td>25</td><td>24</td><td>23</td><td></td><td></td><td></td><td></td><td>17</td></tr> <tr><td colspan="4"></td><td></td><td>16</td><td>15</td><td>14</td><td>13</td><td>12</td><td>11</td><td>10</td><td>8</td><td>7</td><td></td><td></td><td></td><td></td><td>3</td><td>2</td></tr> </table>	72	71	70	69	68	67	66	65	64	63				59						53	52	51	50	49	48	47	46	45	44	43				39					34	33	73					32	31	30	29	28	27	26	25	24	23					17						16	15	14	13	12	11	10	8	7					3	2		
72	71	70	69	68	67	66	65	64	63				59						53																																																																					
52	51	50	49	48	47	46	45	44	43				39					34	33																																																																					
73					32	31	30	29	28	27	26	25	24	23					17																																																																					
					16	15	14	13	12	11	10	8	7					3	2																																																																					
AVAILABLE	NOT APPLICABLE	34566-7113	9	G	BLUE	<table border="1"> <tr><td>80</td><td>79</td><td>78</td><td></td><td>76</td><td></td><td></td><td></td><td></td><td>71</td><td></td><td></td><td></td><td>67</td><td></td><td></td><td></td><td></td><td></td><td></td></tr> <tr><td>60</td><td>59</td><td>58</td><td>57</td><td></td><td></td><td>54</td><td></td><td></td><td>51</td><td>50</td><td>49</td><td>48</td><td>47</td><td></td><td></td><td>44</td><td></td><td></td><td>41</td></tr> <tr><td>40</td><td>39</td><td></td><td>37</td><td></td><td></td><td></td><td>33</td><td>32</td><td></td><td>30</td><td>29</td><td>28</td><td>27</td><td></td><td>25</td><td>24</td><td></td><td></td><td></td></tr> <tr><td colspan="4">20</td><td>19</td><td>18</td><td></td><td></td><td></td><td>12</td><td>11</td><td></td><td>9</td><td>8</td><td></td><td></td><td>5</td><td></td><td>3</td><td>2</td></tr> </table>	80	79	78		76					71				67							60	59	58	57			54			51	50	49	48	47			44			41	40	39		37				33	32		30	29	28	27		25	24				20				19	18				12	11		9	8			5		3	2		
80	79	78		76					71				67																																																																											
60	59	58	57			54			51	50	49	48	47			44			41																																																																					
40	39		37				33	32		30	29	28	27		25	24																																																																								
20				19	18				12	11		9	8			5		3	2																																																																					

<b>QUALITY SYMBOLS</b> = 0 = 0 = 0 = 0 = 0 = 0 = 0 = 0 = 0 = 0	THIS DRAWING CONTAINS INFORMATION THAT IS PROPRIETARY TO MOLEX ELECTRONIC TECHNOLOGIES, LLC AND SHOULD NOT BE USED WITHOUT WRITTEN PERMISSION									
	2017/04/12	2017/04/21	GENERAL TOLERANCES (UNLESS SPECIFIED)		DIMENSION UNITS	SCALE	  <b>MX123</b> <b>66/73/80CKT HRNS CONN ASSY</b>  <b>PRODUCT CUSTOMER DRAWING</b>  SERIES: 34566    MATERIAL NUMBER: SEE BOM TABLE    CUSTOMER: GENERAL MARKET DOCUMENT NUMBER: SD-34566-001    DOC TYPE: PSD    DOC PART: 000    SHEET NUMBER: 77 OF 93			
	EC NO: 115716 DRWN: TYE CHKD: REV: APPR: JDENG02	ANGULAR TOL ± °		MM	1:1					
		4 PLACES ±	DRWN BY	DATE						
		3 PLACES ±	SKRAJENDRANA	2011/02/14						
		2 PLACES ±	CHKD BY	DATE						
		1 PLACE ±	MVANSLAMBROU	2011/02/14						
	0 PLACES ±	APPR BY	DATE							
	DRAFT WHERE APPLICABLE MUST REMAIN WITHIN DIMENSIONS	DRAWING SIZE	THIRD ANGLE PROJECTION	D						











STATUS	GM PART #	MATERIAL #	WIRE DRESS OPTION	KEY OPTION	COLOR (TPA)	NUMBERS INDICATE CAVITIES OPEN FOR CIRCUITS																														
						Fp																														
AVAILABLE	NOT APPLICABLE	34566-7493	0	C	BLUE	52	51	50	69	48	47	46	45	44	42	60	57	55	54	33	34	35	37	26	27	28	11	10	9	8	7	19	18	17		
						73																														
AVAILABLE	NOT APPLICABLE	34566-7513	9	A	BLACK	72	71	70	69	68	66	65	64	63	61	60	57	56	54	53	34	33	37	36	37	36	28	29	28	23	22	21	20	19	18	17
						73																														
AVAILABLE	NOT APPLICABLE	34566-7523	0	A	BLACK	72	51			48	47	46	45	43	41	40	59	58	57	56	55	54	33													
						73																														
AVAILABLE	NOT APPLICABLE	34566-7533	0	G	BLUE	80	79	78						71	70		67																			
						73																														
AVAILABLE	NOT APPLICABLE	34566-7543 SAME AS P/N 35466-1553	0	A	BLACK																															
						73																														
AVAILABLE	NOT APPLICABLE	34566-7553 SAME AS P/N 35466-1983	0	B	ST.GRAY																															
						73																														
AVAILABLE	NOT APPLICABLE	34566-7563	0	C	BLUE																															
						73																														
AVAILABLE	NOT APPLICABLE	34566-7573	0	B	ST.GRAY	72	70		68					62	61					55																
						73																														
AVAILABLE	NOT APPLICABLE	34566-7583	9	A	BLACK	72	70		67				63		60	59	58	57																		
						73																														

<b>QUALITY SYMBOLS</b> 	THIS DRAWING CONTAINS INFORMATION THAT IS PROPRIETARY TO MOLEX ELECTRONIC TECHNOLOGIES, LLC AND SHOULD NOT BE USED WITHOUT WRITTEN PERMISSION										
	EC NO: 115716	DRWN: TYE	CHKD: JDENG02	REV: APPR: JDENG02	GENERAL TOLERANCES (UNLESS SPECIFIED)			DIMENSION UNITS	SCALE	 MX123 66/73/80CKT HRNS CONN ASSY PRODUCT CUSTOMER DRAWING	
	2017/04/21				ANGULAR TOL ± °			MM	1:1		
	4 PLACES ±				SKRAJENDRANA			DATE	2011/02/14		
	3 PLACES ±				MVANSLAMBROU			DATE	2011/02/14		
	2 PLACES ±				APPR BY			DATE		SERIES	
	1 PLACE ±				DRAWING SIZE			THIRD ANGLE PROJECTION		MATERIAL NUMBER	
	0 PLACES ±				DRAFT WHERE APPLICABLE MUST REMAIN WITHIN DIMENSIONS			D		CUSTOMER	
	G50				GENERAL MARKET			DOCUMENT NUMBER		DOC TYPE	
					SD-34566-001			PSD		DOC PART	
				82 OF 93			SHEET NUMBER				





STATUS	GM PART #	MATERIAL #	WIRE DRESS OPTION	KEY OPTION	COLOR (TPA)	NUMBERS INDICATE CAVITIES OPEN FOR CIRCUITS F <sub>p</sub>																																																																																											
AVAILABLE	NOT APPLICABLE	34566-7733	9	A	BLACK	<table border="1"> <tr><td>72</td><td></td><td></td><td></td><td></td><td></td><td></td><td></td><td></td><td></td><td>64</td><td></td><td>62</td><td>61</td><td></td><td></td><td>58</td><td>57</td><td>56</td><td>55</td><td>54</td><td>53</td></tr> <tr><td>52</td><td>51</td><td></td><td></td><td>48</td><td></td><td>46</td><td>45</td><td></td><td>43</td><td></td><td>41</td><td>40</td><td></td><td></td><td></td><td></td><td>37</td><td></td><td></td><td></td><td></td><td></td></tr> <tr><td colspan="2" rowspan="2">73</td><td></td><td>32</td><td></td><td>30</td><td>29</td><td></td><td>27</td><td></td><td>25</td><td></td><td></td><td></td><td></td><td></td><td></td><td>20</td><td></td><td></td><td></td><td></td><td></td></tr> <tr><td>16</td><td>15</td><td></td><td>13</td><td></td><td>11</td><td>10</td><td>9</td><td></td><td></td><td></td><td></td><td></td><td></td><td></td><td>4</td><td>3</td><td></td><td></td><td></td><td></td></tr> </table>	72										64		62	61			58	57	56	55	54	53	52	51			48		46	45		43		41	40					37						73			32		30	29		27		25							20						16	15		13		11	10	9								4	3						
72										64		62	61			58	57	56	55	54	53																																																																												
52	51			48		46	45		43		41	40					37																																																																																
73			32		30	29		27		25							20																																																																																
		16	15		13		11	10	9								4	3																																																																															
AVAILABLE	NOT APPLICABLE	34566-7743	0	C	BLUE	<table border="1"> <tr><td>72</td><td></td><td>70</td><td></td><td>68</td><td>67</td><td>66</td><td></td><td></td><td></td><td>63</td><td>62</td><td></td><td></td><td>59</td><td></td><td></td><td>57</td><td></td><td></td><td></td><td></td><td>53</td></tr> <tr><td>52</td><td>51</td><td></td><td>49</td><td>48</td><td>47</td><td>46</td><td></td><td>44</td><td></td><td></td><td>41</td><td>40</td><td>39</td><td></td><td></td><td>37</td><td>36</td><td>35</td><td>34</td><td>33</td><td></td><td></td></tr> <tr><td colspan="2" rowspan="2">73</td><td></td><td>32</td><td></td><td>30</td><td></td><td></td><td>27</td><td>26</td><td>25</td><td>24</td><td></td><td></td><td></td><td>22</td><td>21</td><td>20</td><td></td><td></td><td></td><td></td><td></td></tr> <tr><td></td><td>15</td><td>14</td><td>13</td><td></td><td></td><td>10</td><td>9</td><td>8</td><td></td><td></td><td></td><td></td><td></td><td>6</td><td>5</td><td>4</td><td></td><td></td><td></td><td>2</td><td></td></tr> </table>	72		70		68	67	66				63	62			59			57					53	52	51		49	48	47	46		44			41	40	39			37	36	35	34	33			73			32		30			27	26	25	24				22	21	20							15	14	13			10	9	8						6	5	4				2	
72		70		68	67	66				63	62			59			57					53																																																																											
52	51		49	48	47	46		44			41	40	39			37	36	35	34	33																																																																													
73			32		30			27	26	25	24				22	21	20																																																																																
			15	14	13			10	9	8						6	5	4				2																																																																											
AVAILABLE	NOT APPLICABLE	34566-7753	0	A	BLACK	<table border="1"> <tr><td></td><td>71</td><td>70</td><td>69</td><td>68</td><td>67</td><td></td><td></td><td></td><td>64</td><td>63</td><td>62</td><td>61</td><td>60</td><td>59</td><td>58</td><td>57</td><td>56</td><td>55</td><td>54</td><td>53</td><td></td><td></td></tr> <tr><td>52</td><td>51</td><td>50</td><td>49</td><td></td><td></td><td></td><td></td><td>45</td><td>44</td><td>43</td><td>42</td><td>41</td><td></td><td>39</td><td>38</td><td>37</td><td>36</td><td></td><td></td><td>34</td><td></td><td></td></tr> <tr><td colspan="2" rowspan="2">73</td><td></td><td>32</td><td>31</td><td></td><td></td><td></td><td>29</td><td>28</td><td>27</td><td>26</td><td>25</td><td></td><td></td><td></td><td></td><td></td><td></td><td></td><td>19</td><td>18</td><td></td></tr> <tr><td>16</td><td>15</td><td>14</td><td>13</td><td>12</td><td>11</td><td>10</td><td>9</td><td>8</td><td></td><td></td><td></td><td></td><td></td><td></td><td></td><td></td><td></td><td>3</td><td></td><td></td><td></td></tr> </table>		71	70	69	68	67				64	63	62	61	60	59	58	57	56	55	54	53			52	51	50	49					45	44	43	42	41		39	38	37	36			34			73			32	31				29	28	27	26	25								19	18		16	15	14	13	12	11	10	9	8										3			
	71	70	69	68	67				64	63	62	61	60	59	58	57	56	55	54	53																																																																													
52	51	50	49					45	44	43	42	41		39	38	37	36			34																																																																													
73			32	31				29	28	27	26	25								19	18																																																																												
		16	15	14	13	12	11	10	9	8										3																																																																													
AVAILABLE	NOT APPLICABLE	34566-7763	0	F	NATURAL	<table border="1"> <tr><td></td><td></td><td></td><td></td><td></td><td></td><td></td><td></td><td></td><td></td><td></td><td></td><td></td><td></td><td></td><td></td><td></td><td></td><td></td><td></td><td></td><td></td><td></td></tr> <tr><td colspan="2" rowspan="2">73</td><td></td><td></td><td></td><td></td><td></td><td></td><td></td><td></td><td></td><td></td><td></td><td></td><td></td><td></td><td></td><td></td><td></td><td></td><td></td><td></td><td></td></tr> <tr><td></td><td></td><td></td><td></td><td></td><td></td><td></td><td></td><td></td><td></td><td></td><td></td><td></td><td></td><td></td><td></td><td></td><td></td><td></td><td></td><td></td><td></td></tr> </table>																								73																																																																			
73																																																																																																	
AVAILABLE	NOT APPLICABLE	34566-7773	0	B	ST.GRAY	<table border="1"> <tr><td>72</td><td></td><td>70</td><td></td><td></td><td></td><td></td><td></td><td></td><td></td><td>63</td><td>62</td><td>61</td><td>60</td><td>59</td><td></td><td></td><td></td><td></td><td></td><td></td><td></td><td></td></tr> <tr><td>52</td><td></td><td></td><td></td><td></td><td></td><td>46</td><td></td><td></td><td></td><td>43</td><td></td><td>41</td><td>40</td><td></td><td></td><td></td><td></td><td></td><td></td><td></td><td></td><td></td></tr> <tr><td colspan="2" rowspan="2">73</td><td></td><td></td><td></td><td></td><td></td><td></td><td></td><td></td><td>27</td><td></td><td></td><td></td><td></td><td></td><td>22</td><td>21</td><td>20</td><td>19</td><td>18</td><td></td><td></td></tr> <tr><td>16</td><td></td><td>14</td><td></td><td></td><td></td><td></td><td></td><td>11</td><td></td><td></td><td></td><td></td><td></td><td>6</td><td></td><td>4</td><td></td><td></td><td></td><td></td><td></td></tr> </table>	72		70								63	62	61	60	59									52						46				43		41	40										73										27						22	21	20	19	18			16		14						11						6		4					
72		70								63	62	61	60	59																																																																																			
52						46				43		41	40																																																																																				
73										27						22	21	20	19	18																																																																													
		16		14						11						6		4																																																																															
AVAILABLE	TBD	34822-0153	9	A	BLACK	<table border="1"> <tr><td></td><td>63</td><td>62</td><td>61</td><td>60</td><td>59</td><td></td><td></td><td></td><td></td><td></td><td>54</td><td>53</td><td></td><td>51</td><td></td><td>49</td><td></td><td></td><td></td><td>66</td><td></td><td></td></tr> <tr><td></td><td>47</td><td></td><td></td><td></td><td></td><td></td><td></td><td></td><td></td><td></td><td>38</td><td>37</td><td></td><td>35</td><td></td><td>33</td><td></td><td></td><td></td><td></td><td></td><td></td></tr> <tr><td colspan="2" rowspan="2">65</td><td></td><td></td><td></td><td></td><td></td><td></td><td></td><td></td><td>28</td><td></td><td></td><td>25</td><td></td><td>22</td><td>21</td><td>20</td><td>19</td><td>18</td><td>17</td><td></td><td></td></tr> <tr><td></td><td></td><td></td><td>15</td><td>14</td><td>13</td><td></td><td></td><td></td><td></td><td></td><td></td><td>8</td><td>7</td><td></td><td></td><td></td><td></td><td>3</td><td>2</td><td>1</td><td></td></tr> </table>		63	62	61	60	59						54	53		51		49				66				47										38	37		35		33							65										28			25		22	21	20	19	18	17						15	14	13							8	7					3	2	1	
	63	62	61	60	59						54	53		51		49				66																																																																													
	47										38	37		35		33																																																																																	
65										28			25		22	21	20	19	18	17																																																																													
					15	14	13							8	7					3	2	1																																																																											
AVAILABLE	NOT APPLICABLE	34566-7783	0	A	BLACK	<table border="1"> <tr><td>72</td><td>71</td><td>70</td><td>69</td><td>68</td><td></td><td>66</td><td>65</td><td>64</td><td>63</td><td></td><td></td><td>60</td><td></td><td></td><td></td><td>57</td><td>56</td><td></td><td></td><td>54</td><td></td><td></td></tr> <tr><td>52</td><td>51</td><td>50</td><td>49</td><td>48</td><td></td><td>46</td><td>45</td><td>44</td><td>43</td><td>42</td><td>41</td><td>40</td><td>39</td><td>38</td><td>37</td><td>36</td><td></td><td></td><td></td><td>34</td><td></td><td></td></tr> <tr><td colspan="2" rowspan="2">73</td><td></td><td></td><td>32</td><td>31</td><td></td><td>30</td><td>29</td><td>28</td><td></td><td>26</td><td>25</td><td></td><td>23</td><td>22</td><td>21</td><td></td><td></td><td></td><td></td><td></td><td></td></tr> <tr><td></td><td></td><td>15</td><td>14</td><td>13</td><td>12</td><td></td><td></td><td></td><td></td><td>9</td><td></td><td>7</td><td>6</td><td>5</td><td></td><td></td><td></td><td></td><td></td><td>2</td><td>1</td></tr> </table>	72	71	70	69	68		66	65	64	63			60				57	56			54			52	51	50	49	48		46	45	44	43	42	41	40	39	38	37	36				34			73				32	31		30	29	28		26	25		23	22	21									15	14	13	12					9		7	6	5						2	1
72	71	70	69	68		66	65	64	63			60				57	56			54																																																																													
52	51	50	49	48		46	45	44	43	42	41	40	39	38	37	36				34																																																																													
73				32	31		30	29	28		26	25		23	22	21																																																																																	
				15	14	13	12					9		7	6	5						2	1																																																																										
AVAILABLE	NOT APPLICABLE	34566-7793	0	A	BLACK	<table border="1"> <tr><td>72</td><td></td><td>70</td><td></td><td></td><td>67</td><td>66</td><td>65</td><td></td><td></td><td>63</td><td></td><td></td><td>60</td><td>59</td><td>58</td><td>57</td><td>56</td><td>55</td><td></td><td></td><td></td><td></td></tr> <tr><td>52</td><td>51</td><td></td><td>49</td><td>48</td><td>47</td><td>46</td><td>45</td><td></td><td></td><td>43</td><td>42</td><td></td><td>40</td><td>39</td><td>38</td><td>37</td><td>36</td><td>35</td><td></td><td></td><td></td><td></td></tr> <tr><td colspan="2" rowspan="2">73</td><td></td><td></td><td></td><td></td><td></td><td></td><td></td><td></td><td>28</td><td>27</td><td></td><td></td><td>23</td><td>22</td><td>21</td><td></td><td></td><td></td><td></td><td>18</td><td>17</td></tr> <tr><td></td><td></td><td></td><td></td><td></td><td></td><td>12</td><td>11</td><td></td><td>9</td><td></td><td></td><td></td><td></td><td></td><td></td><td></td><td></td><td></td><td></td><td>2</td><td>1</td></tr> </table>	72		70			67	66	65			63			60	59	58	57	56	55					52	51		49	48	47	46	45			43	42		40	39	38	37	36	35					73										28	27			23	22	21					18	17							12	11		9											2	1
72		70			67	66	65			63			60	59	58	57	56	55																																																																															
52	51		49	48	47	46	45			43	42		40	39	38	37	36	35																																																																															
73										28	27			23	22	21					18	17																																																																											
								12	11		9											2	1																																																																										
AVAILABLE	NOT APPLICABLE	34566-7813	0	A	BLACK	<table border="1"> <tr><td></td><td></td><td>70</td><td>69</td><td>68</td><td>67</td><td></td><td></td><td></td><td></td><td>63</td><td>62</td><td>61</td><td>60</td><td>59</td><td>58</td><td>57</td><td>56</td><td>55</td><td>54</td><td>53</td><td></td><td></td></tr> <tr><td>52</td><td>51</td><td>50</td><td>49</td><td></td><td></td><td></td><td></td><td></td><td>44</td><td>43</td><td>42</td><td>41</td><td>40</td><td>39</td><td>38</td><td>37</td><td>36</td><td></td><td></td><td>34</td><td></td><td></td></tr> <tr><td colspan="2" rowspan="2">73</td><td></td><td></td><td>32</td><td></td><td></td><td></td><td></td><td>29</td><td>28</td><td>27</td><td>26</td><td>25</td><td></td><td></td><td></td><td>21</td><td></td><td>19</td><td>18</td><td></td><td></td></tr> <tr><td>16</td><td>15</td><td>14</td><td>13</td><td>12</td><td>11</td><td>10</td><td>9</td><td>8</td><td></td><td></td><td></td><td></td><td></td><td></td><td>5</td><td></td><td>3</td><td></td><td></td><td></td><td></td></tr> </table>			70	69	68	67					63	62	61	60	59	58	57	56	55	54	53			52	51	50	49						44	43	42	41	40	39	38	37	36			34			73				32					29	28	27	26	25				21		19	18			16	15	14	13	12	11	10	9	8							5		3				
		70	69	68	67					63	62	61	60	59	58	57	56	55	54	53																																																																													
52	51	50	49						44	43	42	41	40	39	38	37	36			34																																																																													
73				32					29	28	27	26	25				21		19	18																																																																													
		16	15	14	13	12	11	10	9	8							5		3																																																																														

<b>QUALITY SYMBOLS</b> 	THIS DRAWING CONTAINS INFORMATION THAT IS PROPRIETARY TO MOLEX ELECTRONIC TECHNOLOGIES, LLC AND SHOULD NOT BE USED WITHOUT WRITTEN PERMISSION				
	<b>GENERAL TOLERANCES (UNLESS SPECIFIED)</b> ANGULAR TOL ± ° 4 PLACES ± 3 PLACES ± 2 PLACES ± 1 PLACE ± 0 PLACES ± DRAFT WHERE APPLICABLE MUST REMAIN WITHIN DIMENSIONS	DIMENSION UNITS	SCALE	 <b>MX123</b> <b>66/73/80CKT HRNS CONN ASSY</b> <b>PRODUCT CUSTOMER DRAWING</b>	
		MM	1:1		
		DRWN BY	DATE		
		SKRAJENDRANA	2011/02/14		
	CHKD BY	DATE	SERIES	MATERIAL NUMBER	CUSTOMER
MVANSLAMBROU	2011/02/14		34566	SEE BOM TABLE	GENERAL MARKET
APPR BY	DATE	DOCUMENT NUMBER			
		SD-34566-001			
		DOC TYPE	DOC PART	SHEET NUMBER	
		PSD	000	85 OF 93	

STATUS	GM PART #	MATERIAL #	WIRE DRESS OPTION	KEY OPTION	COLOR (TPA)	NUMBERS INDICATE CAVITIES OPEN FOR CIRCUITS F <sub>P</sub>																																																																																													
AVAILABLE	NOT APPLICABLE	34566-7823	0	B	ST.GRAY	<table border="1"> <tr><td>72</td><td></td><td></td><td></td><td>68</td><td>67</td><td></td><td></td><td></td><td>63</td><td>62</td><td>61</td><td>60</td><td>59</td><td></td><td></td><td></td><td></td></tr> <tr><td>52</td><td></td><td></td><td></td><td>48</td><td>47</td><td>46</td><td></td><td>44</td><td>43</td><td></td><td>41</td><td>40</td><td></td><td>38</td><td>37</td><td>36</td><td>35</td></tr> <tr><td colspan="4">73</td><td></td><td></td><td>30</td><td></td><td></td><td>27</td><td></td><td></td><td></td><td></td><td></td><td>20</td><td>19</td><td>18</td></tr> <tr><td colspan="4"></td><td>16</td><td>14</td><td></td><td></td><td>11</td><td></td><td></td><td>8</td><td></td><td></td><td></td><td>4</td><td></td><td>1</td></tr> </table>	72				68	67				63	62	61	60	59					52				48	47	46		44	43		41	40		38	37	36	35	73						30			27						20	19	18					16	14			11			8				4		1																					
72				68	67				63	62	61	60	59																																																																																						
52				48	47	46		44	43		41	40		38	37	36	35																																																																																		
73						30			27						20	19	18																																																																																		
				16	14			11			8				4		1																																																																																		
AVAILABLE	NOT APPLICABLE	34566-7833	0	B	ST.GRAY	<table border="1"> <tr><td>72</td><td>71</td><td>70</td><td>69</td><td>68</td><td>67</td><td>66</td><td>65</td><td>64</td><td>63</td><td></td><td>61</td><td>60</td><td>59</td><td></td><td>57</td><td>56</td><td>55</td><td></td><td></td></tr> <tr><td>52</td><td>51</td><td>50</td><td>49</td><td>48</td><td>47</td><td>46</td><td>45</td><td>44</td><td>43</td><td></td><td>41</td><td>40</td><td>39</td><td>38</td><td>37</td><td>36</td><td>35</td><td>34</td><td>33</td></tr> <tr><td colspan="4">73</td><td></td><td></td><td>32</td><td>31</td><td>30</td><td>29</td><td>28</td><td></td><td>26</td><td>25</td><td>24</td><td>23</td><td>22</td><td>21</td><td>20</td><td>19</td><td>18</td><td>17</td></tr> <tr><td colspan="4"></td><td>16</td><td>15</td><td>14</td><td>13</td><td>12</td><td></td><td></td><td></td><td>8</td><td>7</td><td>6</td><td>5</td><td>4</td><td>3</td><td>2</td><td>1</td><td></td><td></td></tr> </table>	72	71	70	69	68	67	66	65	64	63		61	60	59		57	56	55			52	51	50	49	48	47	46	45	44	43		41	40	39	38	37	36	35	34	33	73						32	31	30	29	28		26	25	24	23	22	21	20	19	18	17					16	15	14	13	12				8	7	6	5	4	3	2	1											
72	71	70	69	68	67	66	65	64	63		61	60	59		57	56	55																																																																																		
52	51	50	49	48	47	46	45	44	43		41	40	39	38	37	36	35	34	33																																																																																
73						32	31	30	29	28		26	25	24	23	22	21	20	19	18	17																																																																														
				16	15	14	13	12				8	7	6	5	4	3	2	1																																																																																
AVAILABLE	NOT APPLICABLE	34566-7843	9	C	BLUE	<table border="1"> <tr><td></td><td>71</td><td></td><td></td><td></td><td>67</td><td></td><td>65</td><td>64</td><td></td><td>62</td><td>61</td><td>60</td><td></td><td>58</td><td>57</td><td></td><td></td><td></td><td>54</td><td></td></tr> <tr><td>52</td><td>51</td><td>50</td><td>49</td><td>48</td><td>47</td><td></td><td>45</td><td>44</td><td></td><td>42</td><td>41</td><td></td><td></td><td>38</td><td>37</td><td></td><td></td><td></td><td>34</td><td>33</td></tr> <tr><td colspan="4">73</td><td></td><td></td><td></td><td></td><td>28</td><td>27</td><td>26</td><td>25</td><td></td><td></td><td></td><td></td><td></td><td></td><td></td><td></td><td>18</td><td></td></tr> <tr><td colspan="4"></td><td>16</td><td>15</td><td>14</td><td>13</td><td>12</td><td>11</td><td>10</td><td>9</td><td></td><td></td><td></td><td></td><td></td><td></td><td></td><td></td><td></td><td></td></tr> </table>		71				67		65	64		62	61	60		58	57				54		52	51	50	49	48	47		45	44		42	41			38	37				34	33	73								28	27	26	25									18						16	15	14	13	12	11	10	9																	
	71				67		65	64		62	61	60		58	57				54																																																																																
52	51	50	49	48	47		45	44		42	41			38	37				34	33																																																																															
73								28	27	26	25									18																																																																															
				16	15	14	13	12	11	10	9																																																																																								
AVAILABLE	NOT APPLICABLE	34566-7853	9	C	BLUE	<table border="1"> <tr><td>72</td><td>71</td><td>70</td><td>69</td><td></td><td>67</td><td>66</td><td></td><td>64</td><td></td><td></td><td></td><td></td><td></td><td></td><td></td><td></td><td></td><td></td><td>54</td><td></td></tr> <tr><td>52</td><td>51</td><td>50</td><td>49</td><td></td><td>47</td><td>46</td><td></td><td>44</td><td></td><td></td><td></td><td></td><td></td><td>39</td><td>38</td><td></td><td></td><td></td><td></td><td></td></tr> <tr><td colspan="4">73</td><td></td><td></td><td>30</td><td>29</td><td>28</td><td>27</td><td>26</td><td>25</td><td>24</td><td>23</td><td>22</td><td>21</td><td></td><td></td><td></td><td></td><td></td><td>17</td></tr> <tr><td colspan="4"></td><td>16</td><td>15</td><td>14</td><td>13</td><td>12</td><td>11</td><td>10</td><td>9</td><td>8</td><td>7</td><td>6</td><td>5</td><td></td><td></td><td></td><td></td><td></td><td></td></tr> </table>	72	71	70	69		67	66		64											54		52	51	50	49		47	46		44						39	38						73						30	29	28	27	26	25	24	23	22	21						17					16	15	14	13	12	11	10	9	8	7	6	5													
72	71	70	69		67	66		64											54																																																																																
52	51	50	49		47	46		44						39	38																																																																																				
73						30	29	28	27	26	25	24	23	22	21						17																																																																														
				16	15	14	13	12	11	10	9	8	7	6	5																																																																																				
AVAILABLE	NOT APPLICABLE	34566-7863	9	C	BLUE	<table border="1"> <tr><td>72</td><td></td><td>70</td><td></td><td>68</td><td>67</td><td>66</td><td></td><td></td><td>63</td><td>62</td><td></td><td></td><td>59</td><td></td><td>57</td><td></td><td></td><td></td><td></td><td>53</td></tr> <tr><td>52</td><td>51</td><td></td><td></td><td>48</td><td>47</td><td>46</td><td></td><td>44</td><td></td><td></td><td></td><td></td><td>40</td><td>39</td><td></td><td>37</td><td>36</td><td>35</td><td>34</td><td>33</td></tr> <tr><td colspan="4">73</td><td></td><td></td><td>32</td><td></td><td>30</td><td></td><td>27</td><td>26</td><td>25</td><td>24</td><td></td><td>22</td><td>21</td><td></td><td></td><td></td><td></td><td>2</td></tr> <tr><td colspan="4"></td><td></td><td></td><td>15</td><td>14</td><td></td><td></td><td>10</td><td>9</td><td>8</td><td></td><td></td><td>6</td><td>5</td><td>4</td><td></td><td></td><td></td><td></td></tr> </table>	72		70		68	67	66			63	62			59		57					53	52	51			48	47	46		44					40	39		37	36	35	34	33	73						32		30		27	26	25	24		22	21					2							15	14			10	9	8			6	5	4											
72		70		68	67	66			63	62			59		57					53																																																																															
52	51			48	47	46		44					40	39		37	36	35	34	33																																																																															
73						32		30		27	26	25	24		22	21					2																																																																														
						15	14			10	9	8			6	5	4																																																																																		
AVAILABLE	NOT APPLICABLE	34566-7873	9	A	BLACK	<table border="1"> <tr><td></td><td>71</td><td></td><td>69</td><td></td><td></td><td></td><td></td><td>65</td><td>64</td><td></td><td></td><td>61</td><td>60</td><td></td><td>58</td><td></td><td>56</td><td>55</td><td>54</td><td></td></tr> <tr><td></td><td></td><td>50</td><td></td><td></td><td></td><td></td><td></td><td>45</td><td>43</td><td>42</td><td></td><td></td><td></td><td></td><td>38</td><td></td><td></td><td></td><td>35</td><td></td></tr> <tr><td colspan="4">73</td><td></td><td></td><td>31</td><td></td><td>29</td><td>28</td><td></td><td></td><td></td><td></td><td>23</td><td></td><td></td><td></td><td></td><td>19</td><td>18</td><td>17</td></tr> <tr><td colspan="4"></td><td>16</td><td></td><td></td><td></td><td>12</td><td>11</td><td></td><td></td><td></td><td></td><td></td><td></td><td></td><td></td><td></td><td></td><td>3</td><td>1</td></tr> </table>		71		69					65	64			61	60		58		56	55	54				50						45	43	42					38				35		73						31		29	28					23					19	18	17					16				12	11											3	1							
	71		69					65	64			61	60		58		56	55	54																																																																																
		50						45	43	42					38				35																																																																																
73						31		29	28					23					19	18	17																																																																														
				16				12	11											3	1																																																																														
AVAILABLE	NOT APPLICABLE	34566-7883	9	A	BLACK	<table border="1"> <tr><td>72</td><td></td><td></td><td></td><td>68</td><td>67</td><td>66</td><td>65</td><td></td><td></td><td></td><td></td><td></td><td></td><td></td><td></td><td></td><td></td><td></td><td></td><td></td></tr> <tr><td></td><td></td><td></td><td></td><td>48</td><td>47</td><td></td><td></td><td></td><td></td><td></td><td></td><td>40</td><td></td><td>38</td><td></td><td></td><td></td><td></td><td></td><td>35</td><td>33</td></tr> <tr><td colspan="4">73</td><td></td><td></td><td>31</td><td>30</td><td></td><td></td><td></td><td></td><td>25</td><td>24</td><td>23</td><td>22</td><td>21</td><td>20</td><td>19</td><td>18</td><td>17</td><td></td></tr> <tr><td colspan="4"></td><td></td><td></td><td></td><td></td><td></td><td></td><td></td><td>9</td><td>8</td><td>7</td><td>6</td><td>5</td><td>4</td><td></td><td></td><td></td><td></td><td>2</td><td>1</td></tr> </table>	72				68	67	66	65																		48	47							40		38						35	33	73						31	30					25	24	23	22	21	20	19	18	17													9	8	7	6	5	4					2	1					
72				68	67	66	65																																																																																												
				48	47							40		38						35	33																																																																														
73						31	30					25	24	23	22	21	20	19	18	17																																																																															
											9	8	7	6	5	4					2	1																																																																													
AVAILABLE	NOT APPLICABLE	34566-7893	9	A	BLACK	<table border="1"> <tr><td>72</td><td>71</td><td>70</td><td>69</td><td>68</td><td></td><td>66</td><td>65</td><td>64</td><td>63</td><td></td><td>61</td><td>60</td><td></td><td></td><td>57</td><td>56</td><td></td><td></td><td>54</td><td>53</td></tr> <tr><td>52</td><td>51</td><td>50</td><td>49</td><td>48</td><td></td><td>46</td><td>45</td><td>44</td><td>43</td><td>42</td><td></td><td>40</td><td>39</td><td>38</td><td>37</td><td>36</td><td></td><td></td><td>34</td><td>33</td></tr> <tr><td colspan="4">73</td><td></td><td></td><td>32</td><td>31</td><td>30</td><td>29</td><td>28</td><td></td><td></td><td>40</td><td>39</td><td>38</td><td>37</td><td>36</td><td>35</td><td>34</td><td>33</td><td></td></tr> <tr><td colspan="4"></td><td></td><td></td><td>15</td><td>14</td><td>13</td><td>12</td><td></td><td></td><td></td><td></td><td></td><td>7</td><td>6</td><td>5</td><td>4</td><td></td><td></td><td>2</td></tr> </table>	72	71	70	69	68		66	65	64	63		61	60			57	56			54	53	52	51	50	49	48		46	45	44	43	42		40	39	38	37	36			34	33	73						32	31	30	29	28			40	39	38	37	36	35	34	33								15	14	13	12						7	6	5	4			2							
72	71	70	69	68		66	65	64	63		61	60			57	56			54	53																																																																															
52	51	50	49	48		46	45	44	43	42		40	39	38	37	36			34	33																																																																															
73						32	31	30	29	28			40	39	38	37	36	35	34	33																																																																															
						15	14	13	12						7	6	5	4			2																																																																														
AVAILABLE	TBD	34822-0163	0	A	BLACK	<table border="1"> <tr><td>64</td><td>63</td><td></td><td></td><td></td><td></td><td></td><td></td><td></td><td></td><td></td><td>54</td><td>53</td><td>51</td><td>49</td><td colspan="5">66</td></tr> <tr><td colspan="11">65</td><td></td><td></td><td></td><td></td><td></td><td></td><td></td><td></td><td></td><td></td></tr> <tr><td colspan="11"></td><td></td><td></td><td>28</td><td></td><td></td><td></td><td></td><td></td><td>23</td><td>21</td><td>20</td><td>19</td><td>18</td><td>17</td></tr> <tr><td colspan="11"></td><td></td><td></td><td>15</td><td>14</td><td>13</td><td></td><td></td><td></td><td>8</td><td>7</td><td></td><td></td><td>4</td><td>3</td><td>2</td><td>1</td></tr> </table>	64	63										54	53	51	49	66					65																																		28						23	21	20	19	18	17														15	14	13				8	7			4	3	2	1
64	63										54	53	51	49	66																																																																																				
65																																																																																																			
													28						23	21	20	19	18	17																																																																											
													15	14	13				8	7			4	3	2	1																																																																									

<b>QUALITY SYMBOLS</b> = 0 = 0 = 0 = 0 = 0 = 0 = 0 = 0 = 0	THIS DRAWING CONTAINS INFORMATION THAT IS PROPRIETARY TO MOLEX ELECTRONIC TECHNOLOGIES, LLC AND SHOULD NOT BE USED WITHOUT WRITTEN PERMISSION				<b>GENERAL TOLERANCES (UNLESS SPECIFIED)</b> DIMENSION UNITS: MM SCALE: 1:1 DRWN BY: SKRAJENDRANA DATE: 2011/02/14 CHKD BY: MVANSLAMBROU DATE: 2011/02/14 APPR BY: JDENG02 DATE:			
EC NO: 115716 DRWN: TYE CHKD: JDENG02 REV: APPR:	2017/04/21 2017/04/21	4 PLACES ± 3 PLACES ± 2 PLACES ± 1 PLACE ± 0 PLACES ± DRAFT WHERE APPLICABLE MUST REMAIN WITHIN DIMENSIONS	DRAWING SIZE: D THIRD ANGLE PROJECTION	<b>PRODUCT CUSTOMER DRAWING</b> SERIES: 34566 MATERIAL NUMBER: SEE BOM TABLE CUSTOMER: GENERAL MARKET DOCUMENT NUMBER: SD-34566-001 DOC TYPE: PSD DOC PART: 000 SHEET NUMBER: 86 OF 93				









STATUS	GM PART #	MATERIAL #	WIRE DRESS OPTION	KEY OPTION 	COLOR (TPA) 	NUMBERS INDICATE CAVITIES OPEN FOR CIRCUITS 
(G46) AVAILABLE	NOT APPLICABLE	34566-8223	9	A	BLACK	
(G46) AVAILABLE	NOT APPLICABLE	34566-8233	9	G	BLUE	
(G46) AVAILABLE	NOT APPLICABLE	34566-8243	9	G	BLUE	
(G46) AVAILABLE	NOT APPLICABLE	34566-8253	9	G	BLUE	
(G46) AVAILABLE	NOT APPLICABLE	34566-8263	9	G	BLUE	
(G46) AVAILABLE	NOT APPLICABLE	34566-8273	9	G	BLUE	
(G46) AVAILABLE	NOT APPLICABLE	34566-8283	9	G	BLUE	
(G46) AVAILABLE	NOT APPLICABLE	34566-8293	9	A	BLACK	
(G46) AVAILABLE	NOT APPLICABLE	34566-8313	9	A	BLACK	
(G46) AVAILABLE	NOT APPLICABLE	34566-8323	9	A	BLACK	

<b>QUALITY SYMBOLS</b> = 0 = 0 = 0 = 0 = 0 = 0 = 0 = 0 = 0 = 0	THIS DRAWING CONTAINS INFORMATION THAT IS PROPRIETARY TO MOLEX ELECTRONIC TECHNOLOGIES, LLC AND SHOULD NOT BE USED WITHOUT WRITTEN PERMISSION							
	EC NO: 115716	DRWN: TYE	CHKD: JDENG02	REV: APPR: JDENG02	2017/04/12	2017/04/21	GENERAL TOLERANCES (UNLESS SPECIFIED)	
	4 PLACES ±		3 PLACES ±		2 PLACES ±		1 PLACE ±	
	0 PLACES ±		DRAFT WHERE APPLICABLE MUST REMAIN WITHIN DIMENSIONS		DIMENSION UNITS: MM		SCALE: DRWN BY: DATE: 2016/05/06	
	APPR BY: SKRAJENDRANA				DATE: 2016/08/22			
	DRAWING SIZE: D				THIRD ANGLE PROJECTION			
	SERIES: 34566		MATERIAL NUMBER: SEE BOM TABLE		CUSTOMER: GENERAL MARKET			
	DOCUMENT NUMBER: SD-34566-001		DOC TYPE: PSD		DOC PART: 000		SHEET NUMBER: 90 OF 93	
	 MX123 66/73/80CKT HRNS CONN ASSY PRODUCT CUSTOMER DRAWING							


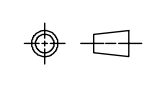
STATUS	GM PART #	MATERIAL #	WIRE DRESS OPTION	KEY OPTION	COLOR (TPA)	NUMBERS INDICATE CAVITIES OPEN FOR CIRCUITS																																																																																	
AVAILABLE	NOT APPLICABLE	34566-8333	9	A	BLACK	<table border="1"> <tr><td>71</td><td>70</td><td>69</td><td>68</td><td>67</td><td>66</td><td>65</td><td>63</td><td>60</td><td>58</td><td>53</td></tr> <tr><td></td><td>50</td><td>49</td><td>48</td><td>47</td><td></td><td></td><td>44</td><td>42</td><td>41</td><td>39</td><td>38</td><td>36</td><td>33</td></tr> <tr><td>73</td><td></td><td></td><td>31</td><td></td><td></td><td></td><td>28</td><td>26</td><td>24</td><td>23</td><td>22</td><td>21</td><td>19</td><td>18</td><td>17</td></tr> <tr><td></td><td></td><td></td><td></td><td>14</td><td></td><td></td><td>12</td><td></td><td>8</td><td>7</td><td>6</td><td>5</td><td>3</td><td>2</td><td>1</td></tr> </table>	71	70	69	68	67	66	65	63	60	58	53		50	49	48	47			44	42	41	39	38	36	33	73			31				28	26	24	23	22	21	19	18	17					14			12		8	7	6	5	3	2	1																								
71	70	69	68	67	66	65	63	60	58	53																																																																													
	50	49	48	47			44	42	41	39	38	36	33																																																																										
73			31				28	26	24	23	22	21	19	18	17																																																																								
				14			12		8	7	6	5	3	2	1																																																																								
AVAILABLE	NOT APPLICABLE	34566-8343	9	A	BLACK	<table border="1"> <tr><td>71</td><td>70</td><td>69</td><td>68</td><td>67</td><td>66</td><td>65</td><td>63</td><td>60</td><td>59</td><td></td><td></td><td></td><td></td><td></td><td></td></tr> <tr><td></td><td>50</td><td>49</td><td></td><td>47</td><td></td><td></td><td>44</td><td>42</td><td></td><td>39</td><td>38</td><td></td><td>36</td><td>35</td><td>34</td><td>33</td></tr> <tr><td>73</td><td></td><td></td><td></td><td>31</td><td></td><td></td><td>28</td><td>26</td><td>24</td><td>23</td><td>22</td><td>21</td><td></td><td>19</td><td>18</td><td>17</td></tr> <tr><td></td><td></td><td></td><td></td><td></td><td>14</td><td></td><td>12</td><td></td><td>8</td><td>7</td><td>6</td><td>5</td><td></td><td></td><td>2</td><td>1</td></tr> </table>	71	70	69	68	67	66	65	63	60	59								50	49		47			44	42		39	38		36	35	34	33	73				31			28	26	24	23	22	21		19	18	17						14		12		8	7	6	5			2	1														
71	70	69	68	67	66	65	63	60	59																																																																														
	50	49		47			44	42		39	38		36	35	34	33																																																																							
73				31			28	26	24	23	22	21		19	18	17																																																																							
					14		12		8	7	6	5			2	1																																																																							
AVAILABLE	NOT APPLICABLE	34566-8353	9	A	BLACK	<table border="1"> <tr><td>72</td><td></td><td></td><td></td><td></td><td></td><td></td><td>64</td><td>62</td><td>61</td><td></td><td></td><td></td><td>57</td><td>56</td><td>55</td><td>54</td><td>53</td></tr> <tr><td>52</td><td>51</td><td></td><td></td><td></td><td></td><td></td><td>46</td><td>45</td><td>43</td><td>41</td><td>40</td><td></td><td>37</td><td></td><td></td><td></td><td></td></tr> <tr><td>73</td><td></td><td></td><td></td><td>32</td><td></td><td>30</td><td>29</td><td>27</td><td>25</td><td></td><td></td><td></td><td></td><td>20</td><td></td><td></td><td></td></tr> <tr><td></td><td></td><td></td><td></td><td>16</td><td>15</td><td></td><td>13</td><td></td><td>11</td><td>10</td><td>9</td><td></td><td></td><td>4</td><td></td><td></td><td></td></tr> </table>	72							64	62	61				57	56	55	54	53	52	51						46	45	43	41	40		37					73				32		30	29	27	25					20								16	15		13		11	10	9			4												
72							64	62	61				57	56	55	54	53																																																																						
52	51						46	45	43	41	40		37																																																																										
73				32		30	29	27	25					20																																																																									
				16	15		13		11	10	9			4																																																																									
AVAILABLE	NOT APPLICABLE	34566-8363	9	A	BLACK	<table border="1"> <tr><td>72</td><td></td><td></td><td></td><td></td><td></td><td></td><td>64</td><td>62</td><td>61</td><td></td><td></td><td></td><td>57</td><td>56</td><td>55</td><td>54</td><td>53</td></tr> <tr><td>52</td><td>51</td><td></td><td></td><td></td><td></td><td></td><td>46</td><td>45</td><td>43</td><td></td><td>40</td><td></td><td>37</td><td></td><td></td><td></td><td></td></tr> <tr><td>73</td><td></td><td></td><td></td><td>32</td><td></td><td>30</td><td>29</td><td>27</td><td>25</td><td></td><td></td><td></td><td></td><td>20</td><td></td><td></td><td></td></tr> <tr><td></td><td></td><td></td><td></td><td>16</td><td>15</td><td>14</td><td>13</td><td></td><td>11</td><td>10</td><td>9</td><td></td><td></td><td>5</td><td>4</td><td></td><td></td></tr> </table>	72							64	62	61				57	56	55	54	53	52	51						46	45	43		40		37					73				32		30	29	27	25					20								16	15	14	13		11	10	9			5	4											
72							64	62	61				57	56	55	54	53																																																																						
52	51						46	45	43		40		37																																																																										
73				32		30	29	27	25					20																																																																									
				16	15	14	13		11	10	9			5	4																																																																								
AVAILABLE	NOT APPLICABLE	34566-8373	9	A	BLACK	<table border="1"> <tr><td>72</td><td></td><td></td><td></td><td></td><td></td><td></td><td>64</td><td>62</td><td>61</td><td></td><td>59</td><td>58</td><td>57</td><td>56</td><td>55</td><td>54</td><td></td></tr> <tr><td>52</td><td>51</td><td></td><td></td><td></td><td></td><td></td><td>48</td><td>46</td><td>45</td><td>43</td><td>41</td><td>40</td><td></td><td>37</td><td></td><td>35</td><td>34</td></tr> <tr><td>73</td><td></td><td></td><td></td><td></td><td></td><td></td><td>32</td><td>30</td><td>29</td><td>27</td><td>25</td><td></td><td></td><td></td><td>20</td><td></td><td></td></tr> <tr><td></td><td></td><td></td><td></td><td></td><td></td><td></td><td>16</td><td>15</td><td></td><td>13</td><td>11</td><td>10</td><td>9</td><td></td><td>4</td><td>3</td><td></td></tr> </table>	72							64	62	61		59	58	57	56	55	54		52	51						48	46	45	43	41	40		37		35	34	73							32	30	29	27	25				20										16	15		13	11	10	9		4	3										
72							64	62	61		59	58	57	56	55	54																																																																							
52	51						48	46	45	43	41	40		37		35	34																																																																						
73							32	30	29	27	25				20																																																																								
							16	15		13	11	10	9		4	3																																																																							
AVAILABLE	NOT APPLICABLE	34566-8383	9	A	BLACK	<table border="1"> <tr><td>72</td><td></td><td></td><td></td><td></td><td></td><td></td><td>64</td><td>62</td><td>61</td><td></td><td>59</td><td></td><td>57</td><td>56</td><td>55</td><td>54</td><td></td></tr> <tr><td>52</td><td>51</td><td></td><td></td><td></td><td></td><td></td><td>46</td><td>45</td><td>43</td><td></td><td>40</td><td></td><td>37</td><td></td><td>35</td><td>34</td><td></td></tr> <tr><td>73</td><td></td><td></td><td></td><td></td><td></td><td></td><td>32</td><td>30</td><td>29</td><td>27</td><td>25</td><td></td><td></td><td></td><td>20</td><td></td><td></td></tr> <tr><td></td><td></td><td></td><td></td><td></td><td></td><td></td><td>16</td><td>15</td><td></td><td>13</td><td>11</td><td>10</td><td>9</td><td></td><td>4</td><td></td><td></td></tr> </table>	72							64	62	61		59		57	56	55	54		52	51						46	45	43		40		37		35	34		73							32	30	29	27	25				20										16	15		13	11	10	9		4											
72							64	62	61		59		57	56	55	54																																																																							
52	51						46	45	43		40		37		35	34																																																																							
73							32	30	29	27	25				20																																																																								
							16	15		13	11	10	9		4																																																																								
AVAILABLE	NOT APPLICABLE	34566-8393	0	A	BLACK	<table border="1"> <tr><td>72</td><td></td><td>70</td><td></td><td></td><td></td><td></td><td></td><td>63</td><td>62</td><td></td><td></td><td></td><td></td><td>56</td><td>55</td><td>54</td><td>53</td></tr> <tr><td>52</td><td>51</td><td></td><td>49</td><td>48</td><td></td><td></td><td></td><td>43</td><td></td><td></td><td></td><td></td><td></td><td>36</td><td>35</td><td>34</td><td>33</td></tr> <tr><td>73</td><td></td><td></td><td></td><td></td><td></td><td></td><td></td><td>31</td><td>30</td><td>29</td><td>28</td><td>27</td><td></td><td>24</td><td>23</td><td>22</td><td>21</td><td>20</td><td>19</td><td>18</td><td>17</td></tr> <tr><td></td><td></td><td></td><td></td><td></td><td></td><td></td><td></td><td>16</td><td>15</td><td>14</td><td>13</td><td>12</td><td></td><td>10</td><td>9</td><td>8</td><td>7</td><td>6</td><td></td><td>3</td><td>2</td><td>1</td></tr> </table>	72		70						63	62					56	55	54	53	52	51		49	48				43						36	35	34	33	73								31	30	29	28	27		24	23	22	21	20	19	18	17									16	15	14	13	12		10	9	8	7	6		3	2	1
72		70						63	62					56	55	54	53																																																																						
52	51		49	48				43						36	35	34	33																																																																						
73								31	30	29	28	27		24	23	22	21	20	19	18	17																																																																		
								16	15	14	13	12		10	9	8	7	6		3	2	1																																																																	
AVAILABLE	NOT APPLICABLE	34566-8413	0	A	BLACK	<table border="1"> <tr><td>72</td><td></td><td>70</td><td></td><td></td><td></td><td></td><td></td><td>63</td><td>62</td><td></td><td></td><td></td><td></td><td>56</td><td>55</td><td>54</td><td>53</td></tr> <tr><td>52</td><td>51</td><td></td><td>49</td><td>48</td><td></td><td></td><td></td><td>43</td><td></td><td></td><td></td><td></td><td></td><td>36</td><td>35</td><td>34</td><td>33</td></tr> <tr><td>73</td><td></td><td></td><td></td><td></td><td></td><td></td><td></td><td>31</td><td>30</td><td>29</td><td>28</td><td>27</td><td></td><td>24</td><td>23</td><td>22</td><td>21</td><td>20</td><td>19</td><td>18</td><td>17</td></tr> <tr><td></td><td></td><td></td><td></td><td></td><td></td><td></td><td></td><td>16</td><td>15</td><td>14</td><td>13</td><td>12</td><td></td><td>10</td><td>9</td><td>8</td><td>7</td><td>6</td><td></td><td>3</td><td>2</td><td>1</td></tr> </table>	72		70						63	62					56	55	54	53	52	51		49	48				43						36	35	34	33	73								31	30	29	28	27		24	23	22	21	20	19	18	17									16	15	14	13	12		10	9	8	7	6		3	2	1
72		70						63	62					56	55	54	53																																																																						
52	51		49	48				43						36	35	34	33																																																																						
73								31	30	29	28	27		24	23	22	21	20	19	18	17																																																																		
								16	15	14	13	12		10	9	8	7	6		3	2	1																																																																	
AVAILABLE	NOT APPLICABLE	34566-8423	0	C	BLUE	<table border="1"> <tr><td></td><td></td><td></td><td>69</td><td></td><td>67</td><td></td><td></td><td>64</td><td>62</td><td>61</td><td>60</td><td></td><td></td><td>57</td><td></td><td></td><td>54</td><td></td></tr> <tr><td>52</td><td>51</td><td>50</td><td>49</td><td>48</td><td></td><td></td><td></td><td>46</td><td>45</td><td>44</td><td>42</td><td>41</td><td></td><td>37</td><td></td><td></td><td>34</td><td>33</td></tr> <tr><td>73</td><td></td><td></td><td></td><td></td><td></td><td></td><td></td><td>28</td><td>27</td><td>26</td><td>25</td><td></td><td></td><td></td><td></td><td></td><td></td><td></td></tr> <tr><td></td><td></td><td></td><td></td><td></td><td></td><td></td><td></td><td>16</td><td>15</td><td>14</td><td>13</td><td>12</td><td>11</td><td>10</td><td>9</td><td>8</td><td>7</td><td></td><td></td><td></td><td></td><td></td></tr> </table>				69		67			64	62	61	60			57			54		52	51	50	49	48				46	45	44	42	41		37			34	33	73								28	27	26	25																16	15	14	13	12	11	10	9	8	7						
			69		67			64	62	61	60			57			54																																																																						
52	51	50	49	48				46	45	44	42	41		37			34	33																																																																					
73								28	27	26	25																																																																												
								16	15	14	13	12	11	10	9	8	7																																																																						
AVAILABLE	NOT APPLICABLE	34566-8433	0	H	ST GRY	<table border="1"> <tr><td></td><td></td><td></td><td>79</td><td>78</td><td>77</td><td>76</td><td>75</td><td>74</td><td>73</td><td></td><td></td><td></td><td>69</td><td></td><td></td><td></td><td></td><td></td><td></td><td></td><td></td><td>61</td></tr> <tr><td></td><td></td><td></td><td></td><td></td><td></td><td></td><td></td><td></td><td></td><td></td><td></td><td></td><td></td><td></td><td></td><td></td><td></td><td></td><td></td><td></td><td></td><td></td></tr> <tr><td>20</td><td></td><td></td><td></td><td></td><td></td><td></td><td></td><td></td><td></td><td></td><td></td><td></td><td></td><td>9</td><td></td><td></td><td></td><td></td><td></td><td></td><td></td><td>5</td><td>1</td></tr> </table>				79	78	77	76	75	74	73				69									61																								20														9								5	1											
			79	78	77	76	75	74	73				69									61																																																																	
20														9								5	1																																																																

<b>QUALITY SYMBOLS</b> = 0 = 0 = 0 = 0 = 0 = 0 = 0 = 0 = 0 = 0	THIS DRAWING CONTAINS INFORMATION THAT IS PROPRIETARY TO MOLEX ELECTRONIC TECHNOLOGIES, LLC AND SHOULD NOT BE USED WITHOUT WRITTEN PERMISSION		<b>GENERAL TOLERANCES (UNLESS SPECIFIED)</b> DIMENSION UNITS: <b>MM</b> SCALE:		 <b>MX123</b> <b>66/73/80CKT HRNS CONN ASSY</b> <b>PRODUCT CUSTOMER DRAWING</b>
	EC NO: 115716 DRWN: TYE CHKD: REV APPR: JDENG02	2017/04/12 2017/04/21	ANGULAR TOL ± ° 4 PLACES ± 3 PLACES ± 2 PLACES ± 1 PLACE ± 0 PLACES ± DRAFT WHERE APPLICABLE MUST REMAIN WITHIN DIMENSIONS	DRWN BY: _____ DATE: 2016/05/06 CHKD BY: _____ DATE: _____ APPR BY: SKRAJENDRANA DATE: 2016/08/22	
<b>RELEASE STATUS</b> P1 <b>RELEASE DATE</b> 21.04.2017 03:31:16		<b>DOCUMENT NUMBER</b> SD-34566-001 <b>DOC TYPE</b> PSD <b>DOC PART</b> 000 <b>SHEET NUMBER</b> 91 OF 93			



G50

STATUS	GM PART #	MATERIAL #	WIRE DRESS OPTION	KEY OPTION	COLOR (TPA)	NUMBERS INDICATE CAVITIES OPEN FOR CIRCUITS																																																																																															
AVAILABLE	NOT APPLICABLE	34566-8553	0	B	ST.GRAY	<table border="1"> <tr> <td>72</td><td></td><td></td><td></td><td>68</td><td></td><td></td><td></td><td></td><td>62</td><td>61</td><td>60</td><td>59</td><td></td><td></td><td></td><td></td><td>55</td><td></td><td></td><td></td><td></td><td></td> </tr> <tr> <td>52</td><td></td><td></td><td></td><td></td><td></td><td>46</td><td></td><td></td><td>43</td><td>41</td><td>40</td><td></td><td></td><td></td><td></td><td></td><td></td><td></td><td></td><td></td><td></td><td></td><td></td> </tr> <tr> <td></td><td></td><td></td><td></td><td></td><td></td><td>73</td><td></td><td></td><td></td><td></td><td></td><td></td><td></td><td>22</td><td>21</td><td>20</td><td></td><td></td><td></td><td></td><td></td><td></td><td></td> </tr> <tr> <td></td><td></td><td></td><td></td><td></td><td></td><td></td><td>16</td><td>15</td><td>14</td><td></td><td></td><td></td><td></td><td></td><td></td><td></td><td>8</td><td></td><td>6</td><td></td><td></td><td>4</td><td></td> </tr> </table>	72				68					62	61	60	59					55						52						46			43	41	40																			73								22	21	20															16	15	14								8		6			4	
72				68					62	61	60	59					55																																																																																				
52						46			43	41	40																																																																																										
						73								22	21	20																																																																																					
							16	15	14								8		6			4																																																																															

<b>QUALITY SYMBOLS</b> ▽ = 0 ▽ = 0 ▽ = 0 ▽ = 0 ▽ = 0 ▽ = 0 ▽ = 0 ▽ = 0 ▽ = 0 ▽ = 0 ▽ = 0	THIS DRAWING CONTAINS INFORMATION THAT IS PROPRIETARY TO MOLEX ELECTRONIC TECHNOLOGIES, LLC AND SHOULD NOT BE USED WITHOUT WRITTEN PERMISSION		GENERAL TOLERANCES (UNLESS SPECIFIED)		DIMENSION UNITS	SCALE						
	2017/04/12	2017/04/21	MM		DRWN BY	DATE					MX123 66/73/80CKT HRNS CONN ASSY	
	EC NO: 115716 DRWN: TYE CHKD: REV APPR: JDENG02	ANGULAR TOL ± °		TYE	2016/05/06	CHKD BY						
		4 PLACES ±		SKRAJENDRANA 2016/08/22	2016/08/22	APPR BY	DATE	SERIES	MATERIAL NUMBER	CUSTOMER		
		3 PLACES ±				34566	SEE BOM TABLE	GENERAL MARKET				
		2 PLACES ±				DRAWING SIZE	THIRD ANGLE PROJECTION	DOCUMENT NUMBER	DOC TYPE	DOC PART	SHEET NUMBER	
		1 PLACE ±				D		SD-34566-001	PSD	000	93 OF 93	
		0 PLACES ±				DRAFT WHERE APPLICABLE MUST REMAIN WITHIN DIMENSIONS						
		G50										
		RELEASE STATUS P1 RELEASE DATE 21.04.2017 03:31:16										
19 18 17 16 15 14 13 12 11 10 9 8 7 6 5 4 3 2 1												