

REVISIONS				
REV.	ECN	DESCRIPTION	DATE	APPROVED
A		INITIAL RELEASE	2012/05/18	J.SI

AMPHENOL PART NUMBER CONFIGURATION
UE78-B 1 1 2 6-00XX1

PRESS FIT CONNECTOR PLATING
 2 = 30 μ" MIN. GOLD ON MATING AREA
 15-100 μ" MATTE TIN ON TERMINATION
 3 = 30 μ" MIN. GOLD ON MATING AREA
 150-300 μ" MATTE TIN ON TERMINATION
 5 = 15 μ" MIN. GOLD ON MATING AREA
 15-100 μ" MATTE TIN ON TERMINATION
 6 = 15 μ" MIN. GOLD ON MATING AREA
 150-300 μ" MATTE TIN ON TERMINATION

PACKAGING
1 = TRAY PACKAGING

CAGE PLATING
2 = NICKEL PLATING
3 = MATTE TIN PLATING

PART NUMBER
(LAST DIGIT INDICATING
PACKAGING TYPE,
NOT PRINTED ON THE PART)

DATE CODE

MATERIAL:
CAGE:
COPPER ALLOY

PLATING:
SEE AMPHENOL PART NUMBER
CONFIGURATION FOR OPTIONS.

CONNECTOR:

PLASTIC HOUSING:
HIGH TEMPERATURE RESISTANT NYLON
FLAMMABILITY RATING UL94V-0.

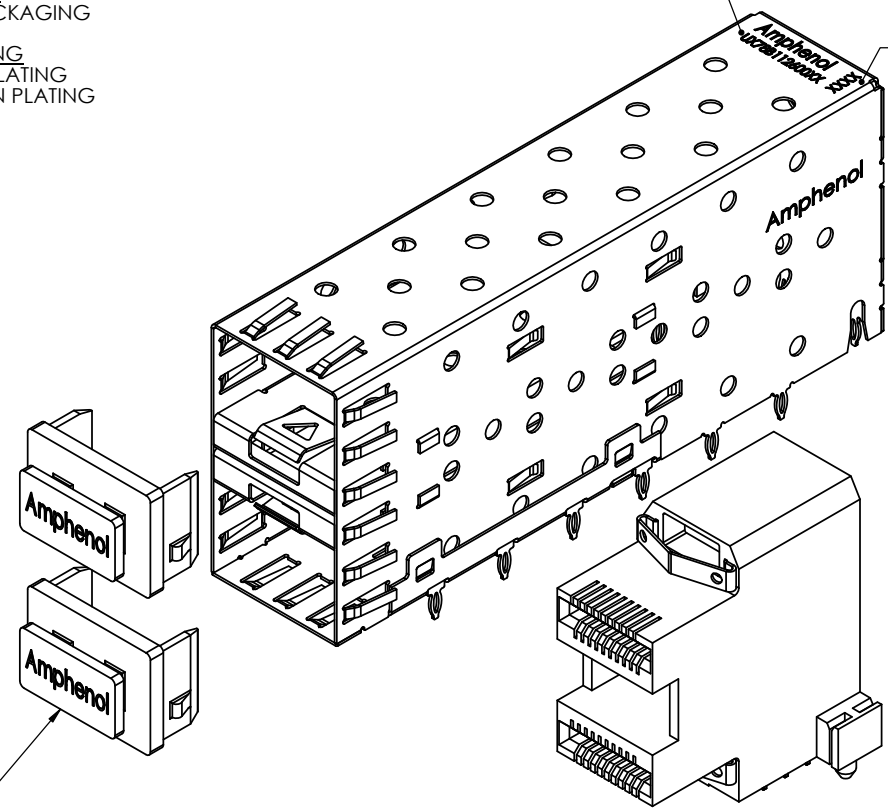
CONTACTS:
PHOSPHOR BRONZE
PLATING OPTION:
SEE AMPHENOL PART NUMBER
CONFIGURATION FOR OPTIONS.

DUST COVER
THERMOPLASTIC,COLOR BLACK.

PACKAGING:
TRAY PACKAGING.

TEMPERATURE RANGE:
-40°C TO +85°C

OPTIONAL DUST COVER
(SHIP LOOSE)
P/N:U77-A1110-8000-P



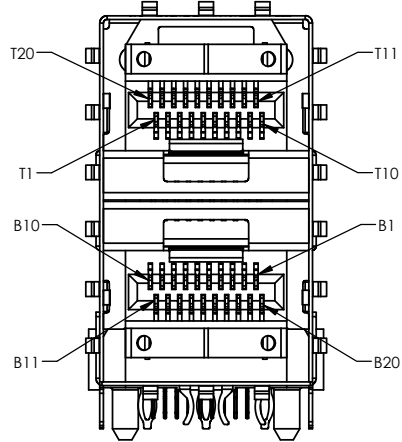
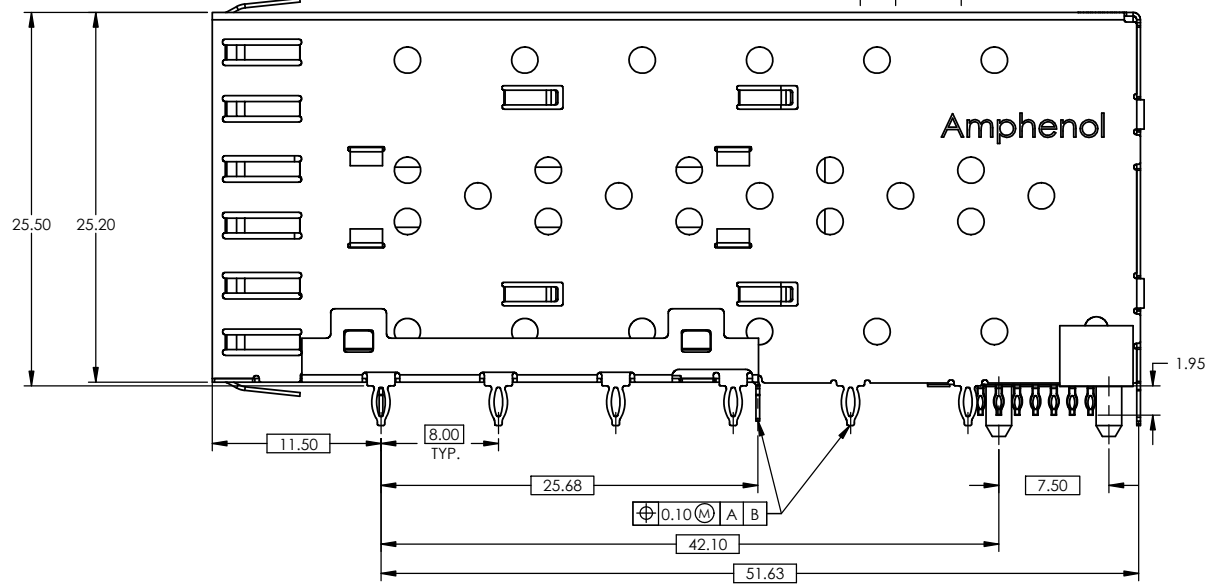
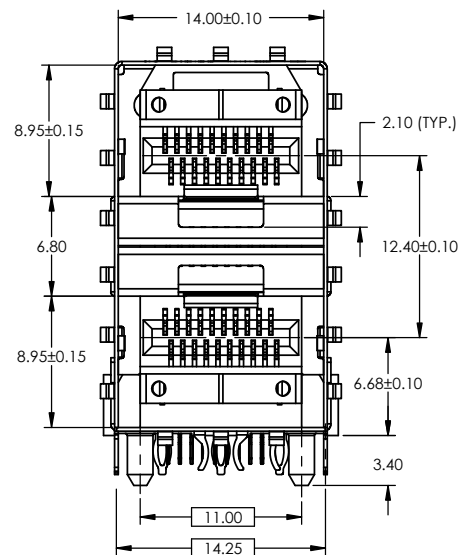
DO NOT SCALE DRAWING

THIS DOCUMENT CONTAINS PROPRIETARY INFORMATION AND SUCH INFORMATION MAY NOT BE DISCLOSED TO OTHERS FOR ANY PURPOSE OR USED FOR MANUFACTURING PURPOSES WITHOUT PERMISSION FROM AMPHENOL CANADA CORP.

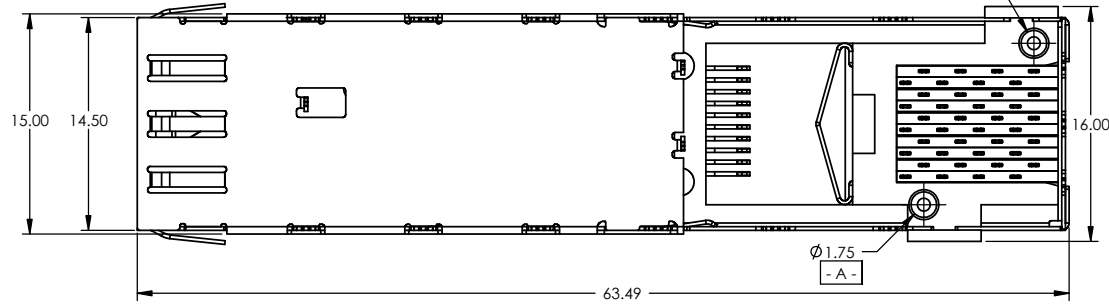
UNLESS OTHERWISE SPECIFIED DIMENSIONS ARE IN MILLIMETERS TOLERANCES ARE:		APPROVALS		DATE		Amphenol Canada Corp.	
DECIMALS	ANGLES	DRAWN	Grace.L	2012/05/18	TITLE		
XX ± 0.25	± 1°	DESIGNED	J.SI	2012/05/18	SFP STACKED COMBO WITH PRESS FIT PINS (CONNECTOR AND CAGE)		
X.XX ± 0.15		CHECKED					
MATERIAL AND FINISH		QA APPD					
N/A		E APPD					
REF.	X				SIZE	DWG. NO.	REV.
CODE IDENT. NO.	03554	DWG APPD	J.SI	2012/05/18	A3	P-UE78-B1126-00XX1	A
					SCALE	PROJECT	SHEET
					2:1		1 OF 4

REVISIONS

REV.	ECN	DESCRIPTION	DATE	APPROVED
A		INITIAL RELEASE	2012/05/18	J.SI



PIN ASSIGNMENT ON MATING AREA

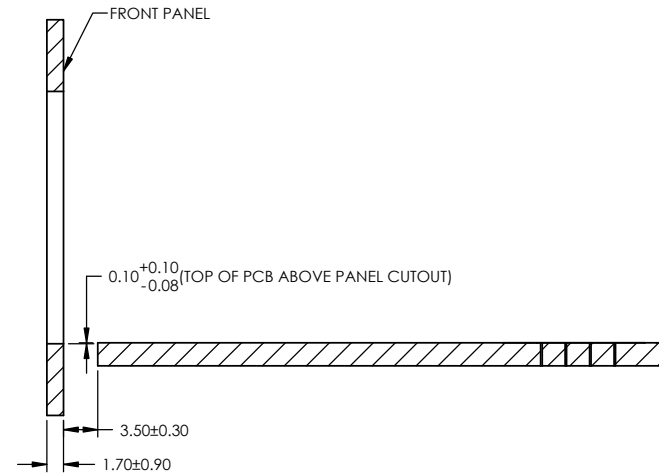
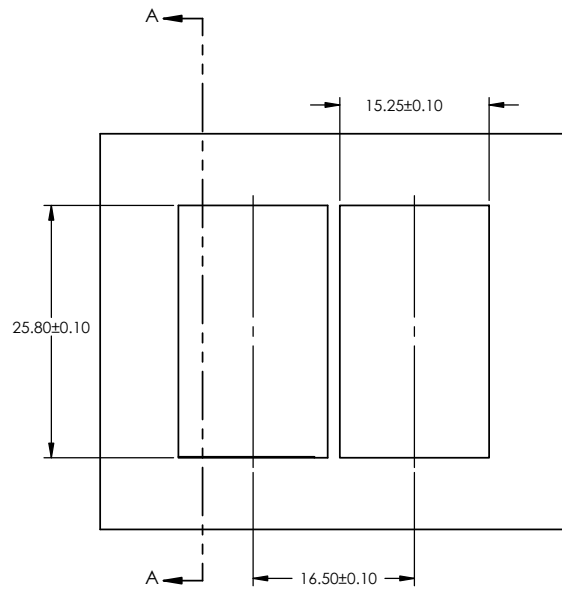


DO NOT SCALE DRAWING

THIS DOCUMENT CONTAINS PROPRIETARY INFORMATION AND SUCH INFORMATION MAY NOT BE DISCLOSED TO OTHERS FOR ANY PURPOSE OR USED FOR MANUFACTURING PURPOSES WITHOUT PERMISSION FROM AMPHENOL CANADA CORP.

UNLESS OTHERWISE SPECIFIED DIMENSIONS ARE IN MILLIMETERS TOLERANCES ARE:		APPROVALS		DATE		Amphenol Canada Corp.	
DECIMALS	ANGLES	DRAWN	Grace.L	2012/05/18	TITLE		
X.X ± 0.25	± 1°	DESIGNED	J.SI	2012/05/18	SFP STACKED COMBO WITH PRESS FIT PINS (CONNECTOR AND CAGE)		
X.XX ± 0.15		CHECKED					
MATERIAL AND FINISH		QA APPD					
N/A							
REF.		E APPD			SIZE	DWG. NO.	REV.
X					A3	P-UE78-B1126-00XX1	A
CODE IDENT. NO.	03554	DWG APPD	J.SI	2012/05/18	SCALE	PROJECT	SHEET
					2:1		2 OF 4

REVISIONS				
REV.	ECN	DESCRIPTION	DATE	APPROVED
A		INITIAL RELEASE	2012/05/18	J.SI



SECTION A-A
SCALE 2:1

RECOMMENDED BEZEL DESIGN

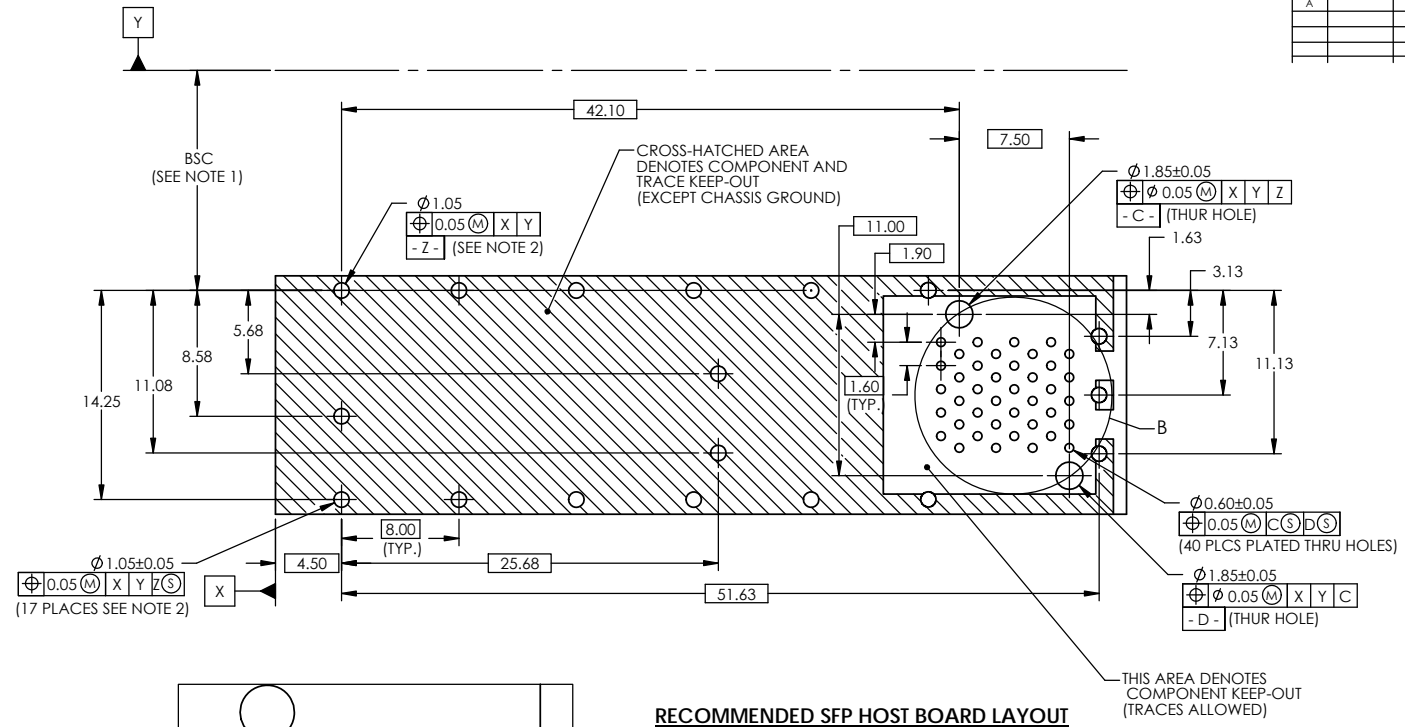
DO NOT SCALE DRAWING

THIS DOCUMENT CONTAINS PROPRIETARY INFORMATION AND SUCH INFORMATION MAY NOT BE DISCLOSED TO OTHERS FOR ANY PURPOSE OR USED FOR MANUFACTURING PURPOSES WITHOUT PERMISSION FROM AMPHENOL CANADA CORP.

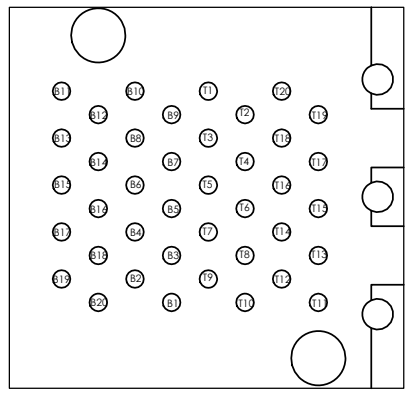
UNLESS OTHERWISE SPECIFIED DIMENSIONS ARE IN MILLIMETERS TOLERANCES ARE:		APPROVALS		DATE		Amphenol Canada Corp.	
DECIMALS	ANGLES	DRAWN	Grace.L	2012/05/18	TITLE		
X.X ± 0.25	± 1°	DESIGNED	J.SI	2012/05/18	SFP STACKED COMBO WITH PRESS FIT PINS (CONNECTOR AND CAGE)		
X.XX ± 0.15		CHECKED					
MATERIAL AND FINISH		QA APPD					
N/A							
REF.	X	E APPD			SIZE	DWG. NO.	REV.
CODE IDENT. NO.	03554	DWG APPD	J.SI	2012/05/18	A3	P-UE78-B1126-00XX1	A
					SCALE	PROJECT	SHEET
					2:1		3 OF 4

REVISIONS

REV.	ECN	DESCRIPTION	DATE	APPROVED
A		INITIAL RELEASE	2012/05/18	J.SI



**RECOMMENDED SFP HOST BOARD LAYOUT
(ONE SIDE CAGE MOUNTING)**



DETAIL B
SCALE 6 : 1

DO NOT SCALE DRAWING

THIS DOCUMENT CONTAINS PROPRIETARY INFORMATION AND SUCH INFORMATION MAY NOT BE DISCLOSED TO OTHERS FOR ANY PURPOSE OR USED FOR MANUFACTURING PURPOSES WITHOUT PERMISSION FROM AMPHENOL CANADA CORP.

- NOTES:
 1. DATUM AND BSC DIMS ESTABLISHED BY CUSTOMER.
 2. HOLES ARE CHASSIS GROUND.
 18 PLACES .

UNLESS OTHERWISE SPECIFIED DIMENSIONS ARE IN MILLIMETERS TOLERANCES ARE: DECIMALS X.X ± 0.25 ANGLES ± 1° X.XX ± 0.15 MATERIAL AND FINISH N/A REF. X CODE IDENT. NO. 03554	APPROVALS	DATE	Amphenol Canada Corp.	
	DRAWN Grace.L	2012/05/18	TITLE	SFP STACKED COMBO WITH PRESS FIT PINS (CONNECTOR AND CAGE)
	DESIGNED J.SI	2012/05/18	SCALE	
	CHECKED		PROJECT	
	GA APPD		SIZE A3	DWG. NO. P-UE78-B1126-00XX1
	E APPD		SCALE 2:1	REV. A
	DWG APPD J.SI	2012/05/18	SHEET 4 OF 4	