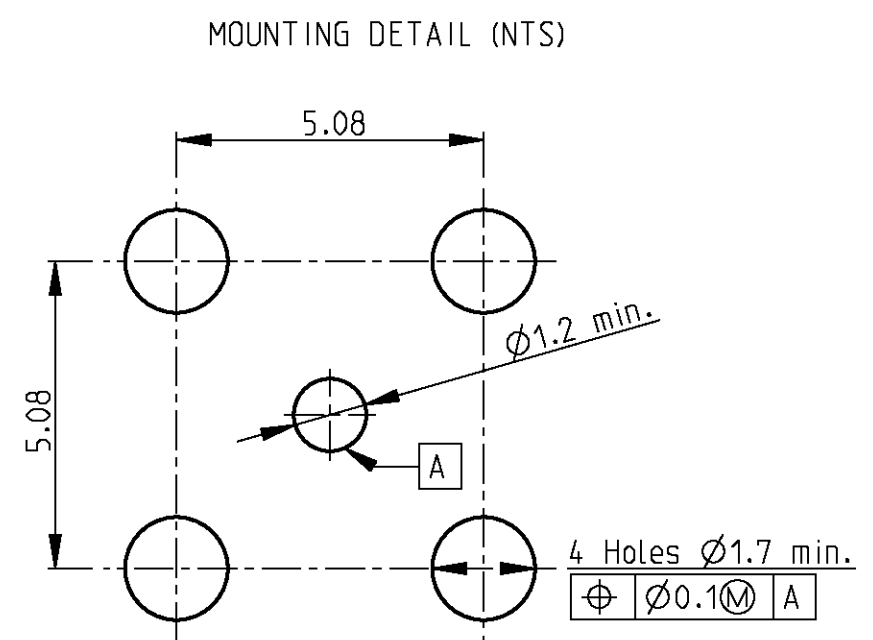
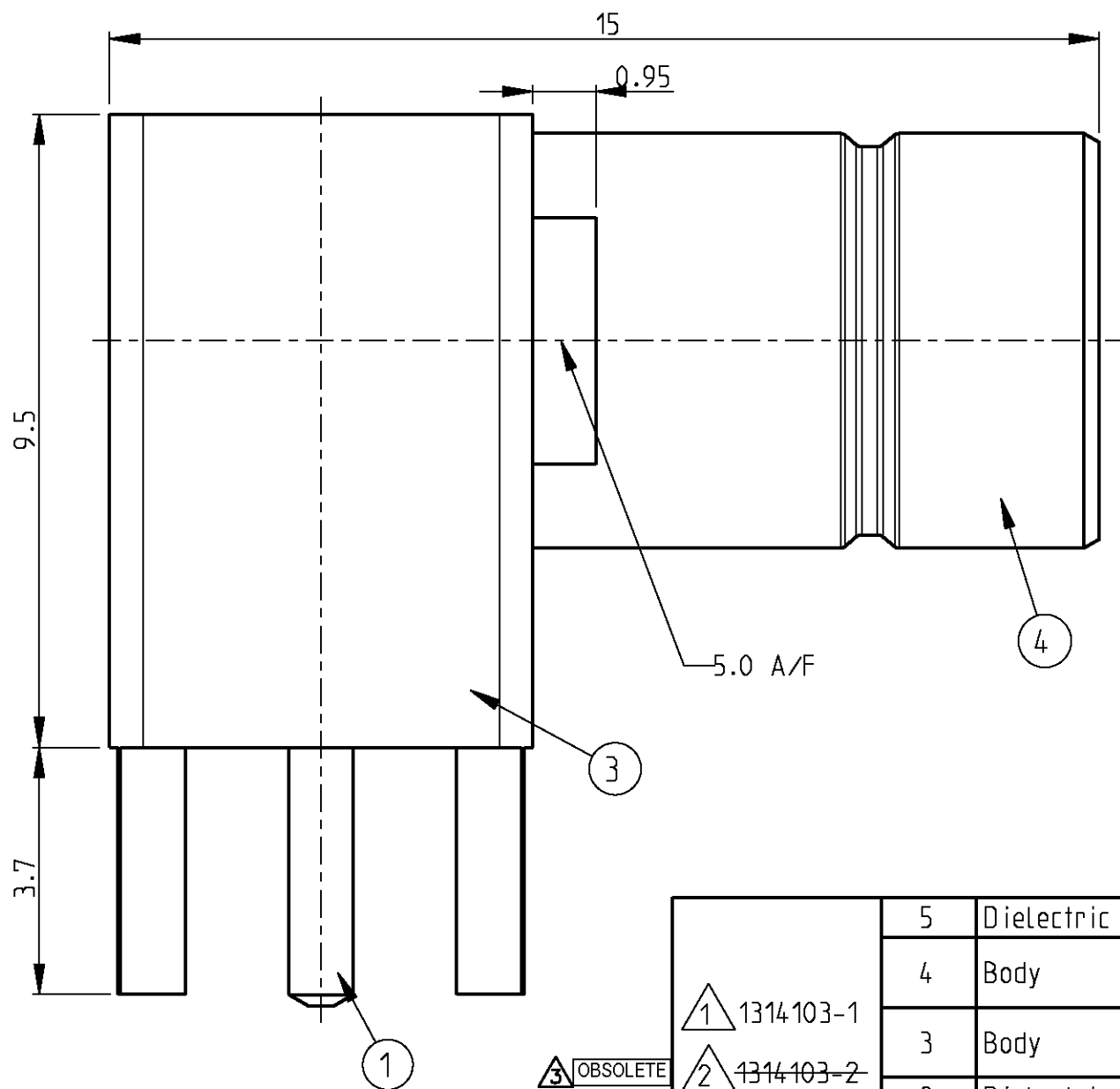
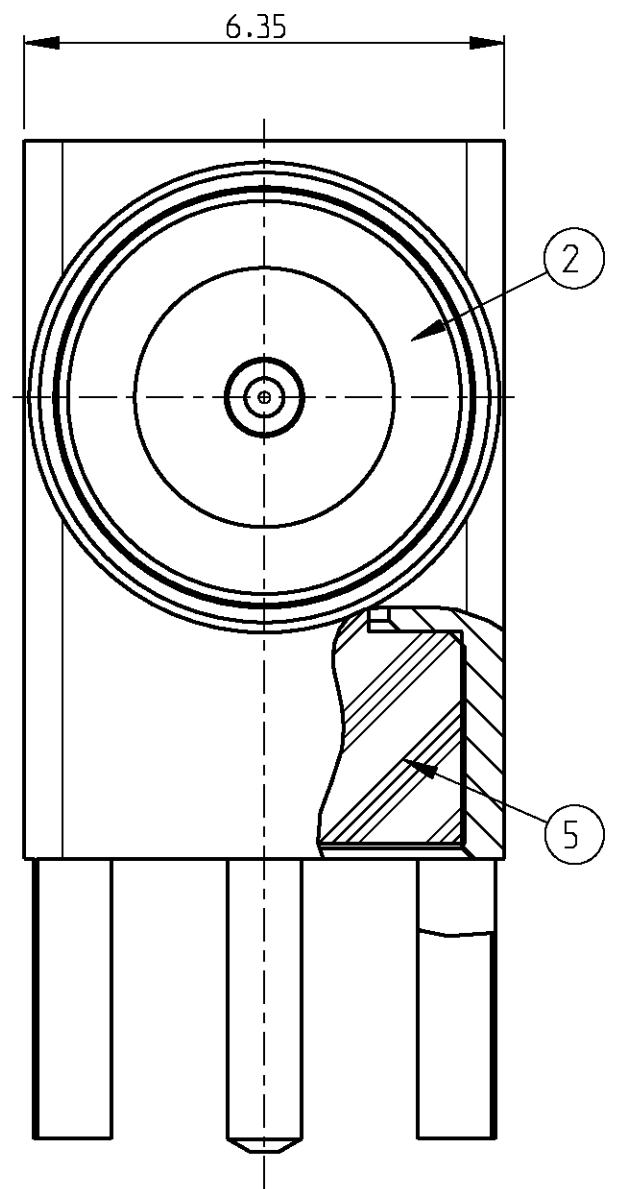


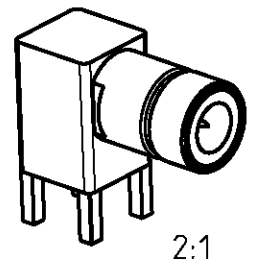
THIS DRAWING IS UNPUBLISHED. RELEASED FOR PUBLICATION
 © COPYRIGHT - BY TYCO ELECTRONICS CORPORATION. ALL RIGHTS RESERVED.

LOC	DIST	REVISIONS			
P	LTR	DESCRIPTION	DATE	DWN	APVD
IS	-	B	EC-SR10-0078-03	030CT03	FH RL
		C	EC-SR10-0026-04	15MAR04	FH RL
		C1	ECR-06-013118	31MAY2006	AN DB
		C2	REVISED PER ECO-09-027197	08JAN10	KK AEG



Item	Description	Material	Plating	Qty
5	Dielectric	PTFE	None	1
4	Body	Brass	min. 0.2 μm Au over min. 2 μm min. Nip	1
3	Body	Brass	min. 0.2 μm Au over min. 2 μm min. Nip	1
2	Dielectric	PTFE	None	1
1	Center conductor	Brass	min. 0.2 μm Au over min. 2 μm min. Nip	1

- 1 1314103-1
- 2 1314103-2
- 3 OBSOLETE



- 1 10 Jacks (pos. 1-3) packed in plastic bag from foil PN 1486591-2.
10 plastic bags for each stripe.
20 stripes packed in carton box PN 973058-3.
- 2 1 Jack (pos. 1-3) packed in plastic bag from foil PN 1486591-2.
- 3 OBSOLETE PARTS: OBSOLETE CIS STREAMLINING PER D.RENAUD/D.SINISI

THIS DRAWING IS A CONTROLLED DOCUMENT FOR TYCO ELECTRONICS CORPORATION
 IT IS SUBJECT TO CHANGE AND THE CONTROLLING ENGINEERING ORGANIZATION
 SHOULD BE CONTACTED FOR THE LATEST REVISION.

DWN	31JUL2001	tyco Electronics	Tyco Electronics CH - Switzerland - Lugano	
CHK	-		NAME BT43 90° Jack PCB Solder	
APVD	-	PRODUCT SPEC -		
APPLICATION SPEC -		SIZE	CAGE CODE	DRAWING NO
MATERIAL -		A3	00779	1314103
FINISH -		WEIGHT -		RESTRICTED TO -
DIMENSIONS: mm		CUSTOMER DRAWING		
TOLERANCES UNLESS OTHERWISE SPECIFIED: 0 PLC ±0.12 1 PLC ±0.12 2 PLC ±0.12 3 PLC ± 4 PLC ± ANGLES ±1°		SCALE 10:1 SHEET 1 OF 1 REV C2		