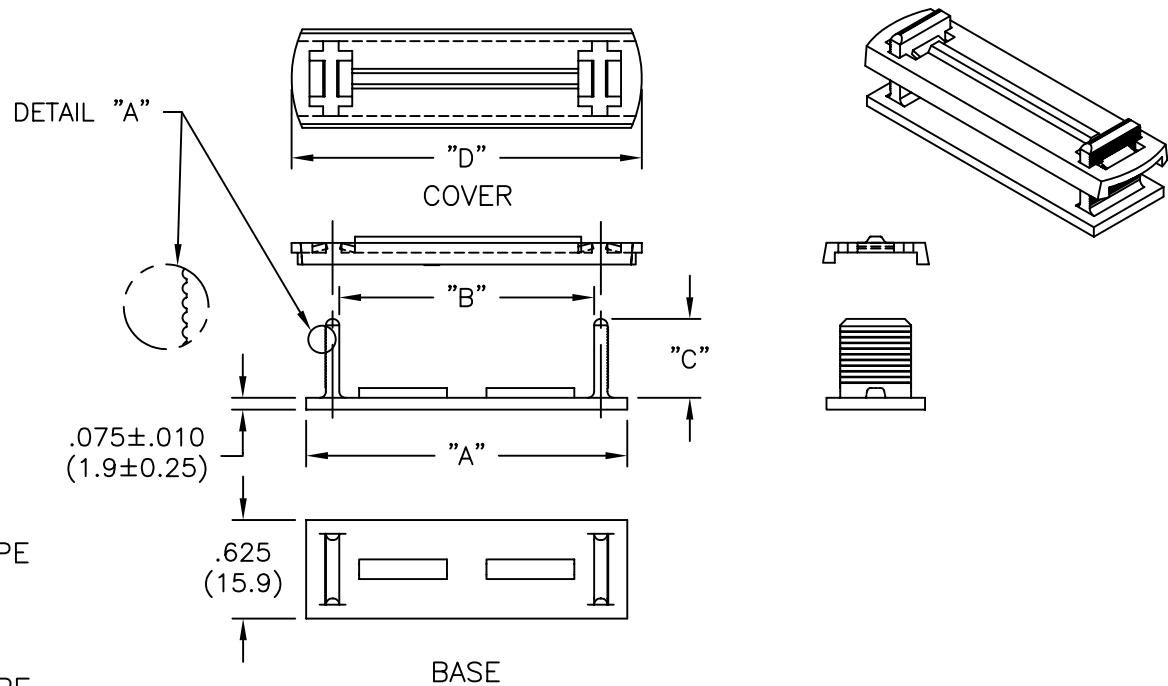


BASE PART NO.	"A" REF.	"B" REF.	"C"	COVER PART NO.	"D"
FCRCS-13B-4	2.04 (51.7)	1.62 (41.2)	1/2 (12.7)	FCRC-13C	2.24 (56.8)
FCRCS-13B-6			3/4 (19.1)		
FCRCS-19B-4	2.72 (69.1)	2.31 (58.7)	1/2 (12.7)	FCRC-19C	2.92 (74.2)
FCRCS-19B-6			3/4 (19.1)		
FCRCS-21B-4	2.98 (75.7)	2.55 (64.8)	1/2 (12.7)	FCRC-21C	3.17 (80.5)
FCRCS-21B-6			3/4 (19.1)		
FCRCS-26B-4	3.66 (93.0)	3.24 (82.3)	1/2 (12.7)	FCRC-26C	3.86 (98.0)
FCRCS-26B-6			3/4 (19.1)		



NOTES:

- MATERIAL: NYLON 6/6 (RMS-01).  
FLAME RETARDANT NYLON (RMS-19),  
AVAILABLE BY SPECIAL ORDER ONLY.
- COLOR: NATURAL.
- TAPE:  
1/32 (0.8) THICK, ACRYLIC ADHESIVE TAPE  
(RMS-15), WHITE LINER,  
AVAILABLE BY SPECIAL ORDER ONLY.  
TO ORDER, SPECIFY A-RT AS SUFFIX.  
1/32 (0.8) THICK, RUBBER ADHESIVE TAPE  
(RMS-102), BLUE LINER,  
AVAILABLE BY SPECIAL ORDER ONLY.  
TO ORDER, SPECIFY A1-RT AS SUFFIX.

TITLE: FLAT CABLE ROUTING CLAMP, SERRATED			DWG IN IN (MM)		FINAL		
D	CORRECTED COVER PART NUMBERS	SM 03.25.02	FILE # FCRCS	DWN: SM	APP:	PART # SEE TABLE	PRINT TYPE CA
C	COMPLETELY RE-DRAWN	SM 12.20.01	MAT'L: SEE NOTES	DT: 12/20/01	DT:		
B	MAT'L RMS-19 ADDED	06.21.00	RE: RICHCO, INC.	RICHCO INC. PO BOX 804238, CHICAGO, 60680 (773) 539-4060			
A	CONVERTED TO ACAD	PB 03.22.94					
REV	DESCRIPTION	ENGR DATE	TOLERANCES UNLESS NOTED .XX=±.010 .XXX=±.005 FRAC=±1/64 ANG=±1'				