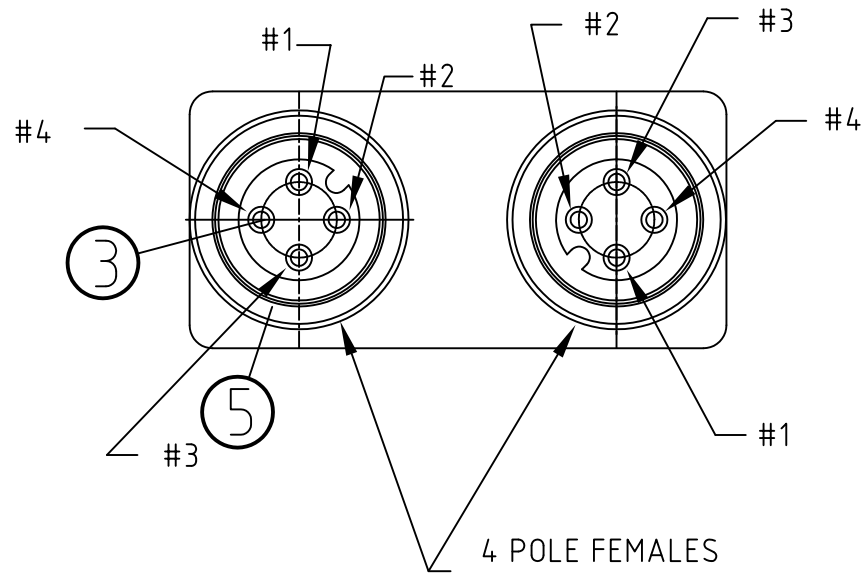
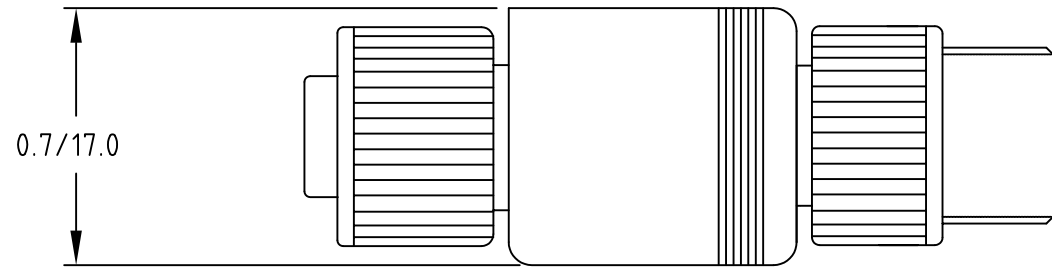
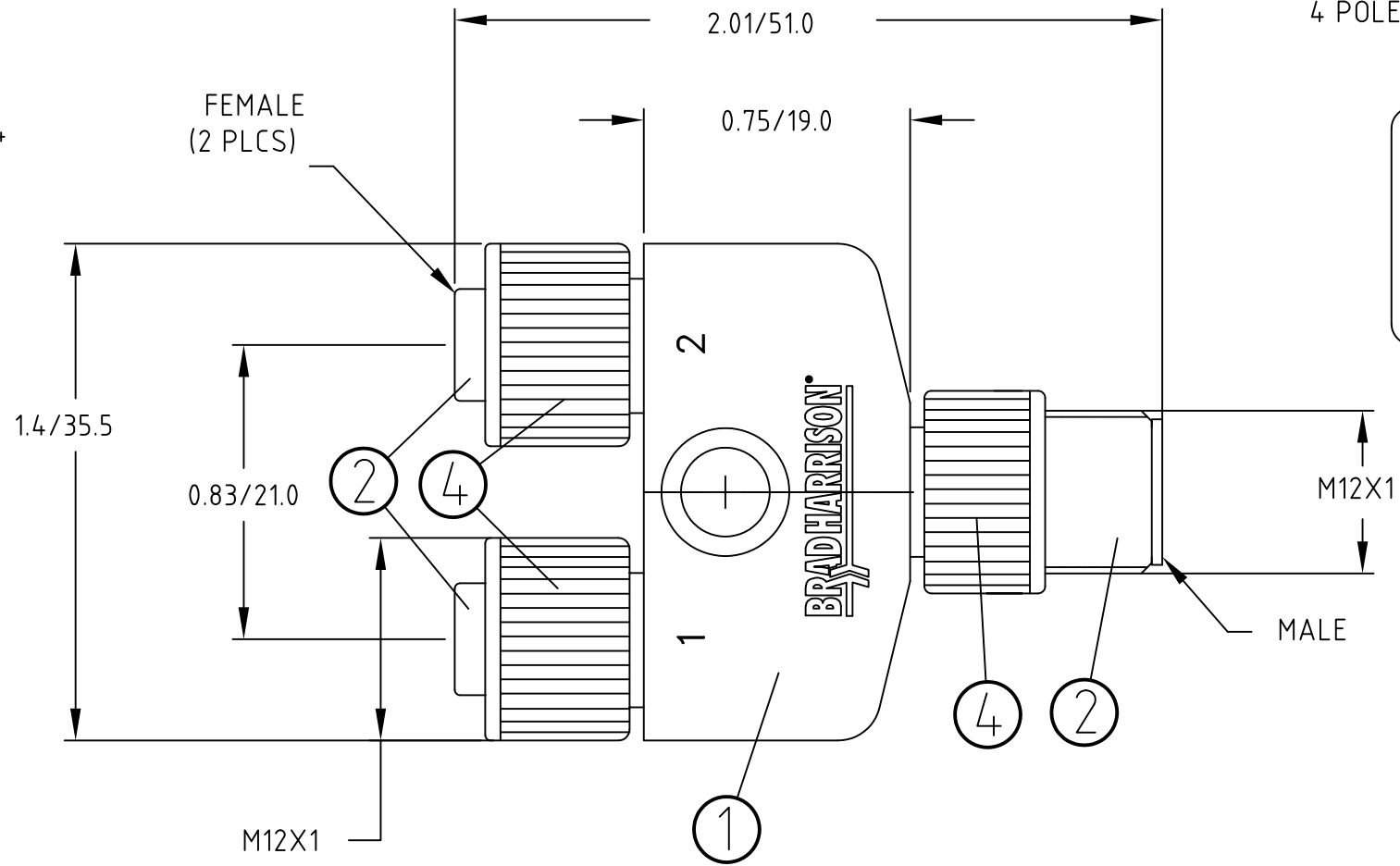
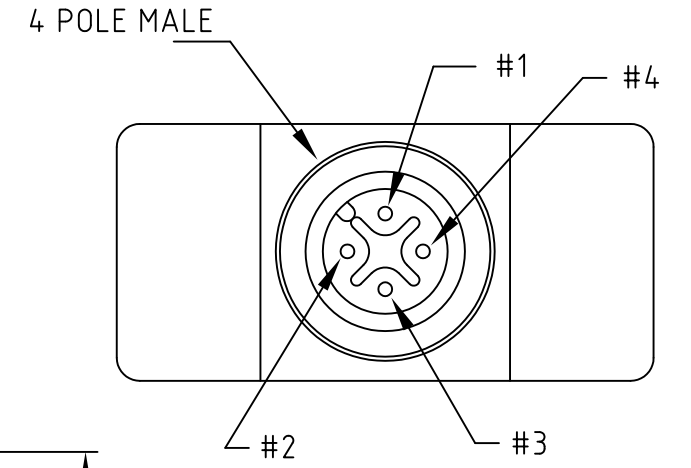


FRONT VIEW

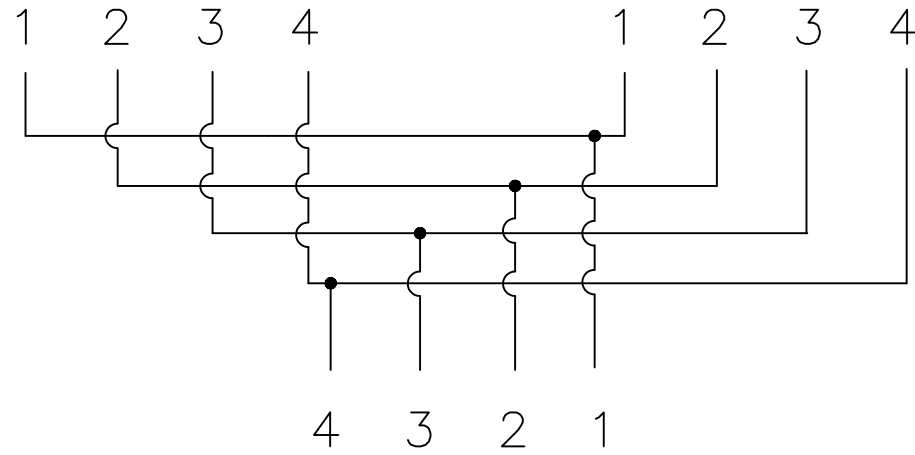


FRONT VIEW



FEMALE #2

FEMALE #1



MATERIAL NUMBER	ENGINEERING NUMBER
1200680228	81589R

ITEM	COMPONENT	MATERIAL	FINISH
5	O-RING	VITON	RED
4	COUPLER	BRASS	NICKEL PLATED
3	PIN CONTACT	COPPER ALLOY	GOLD OVER NICKEL
2	INSERT	PUR	BLACK
1	OVERMOLD	TPE	BLACK

DESCRIPTION EC NO: WEU2010-0371 DRWN: BBRAUCH 2010/02/17 CHKD: NS APPR: NSTAUDIG 2010/02/24	QUALITY SYMBOLS ▽ = 0 ◻ = 0	GENERAL TOLERANCES (UNLESS SPECIFIED)		DIMENSION STYLE IN/MM		SCALE 2:1	DESIGN UNITS METRIC	THIRD ANGLE PROJECTION	
		mm	INCH	DRAWN BY BBRAUCH	DATE 2010/02/17	M12TV-5P-M/FE-FE			
		4 PLACES ±---	±---	CHECKED BY NS	DATE 2010/02/18				
		3 PLACES ±---	±---	APPROVED BY NSTAUDIG		DATE 2010/02/18			
2 PLACES ±---	±0.01	MATERIAL NO.		DOCUMENT NO.	MOLEX INCORPORATED				
1 PLACE ±0.3	±---	DRAFT WHERE APPLICABLE MUST REMAIN WITHIN DIMENSIONS		SEE TABLE	SD-120068-035		SHEET NO. 1 OF 1		
SIZE A3		THIS DRAWING CONTAINS INFORMATION THAT IS PROPRIETARY TO MOLEX INCORPORATED AND SHOULD NOT BE USED WITHOUT WRITTEN PERMISSION							