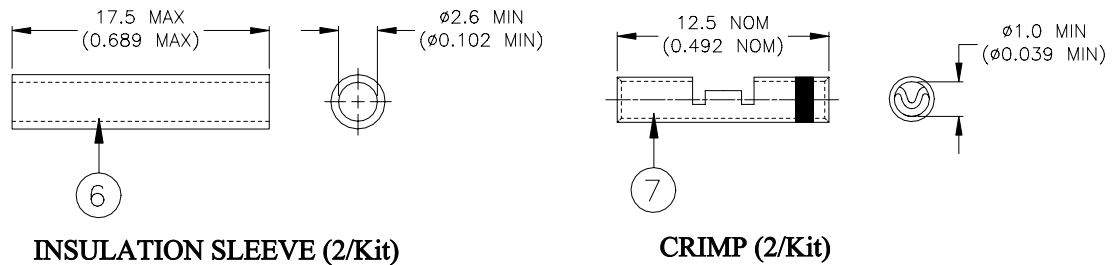
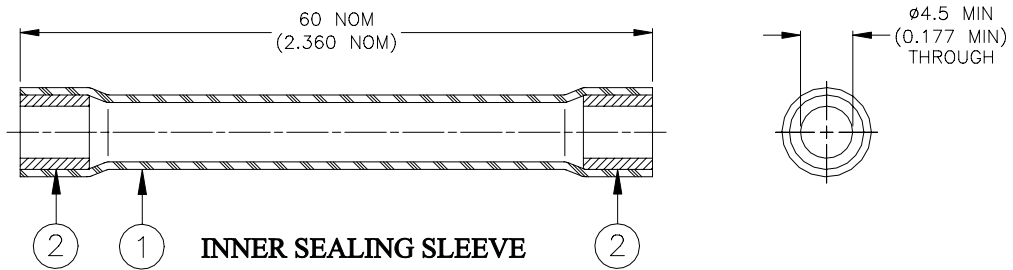
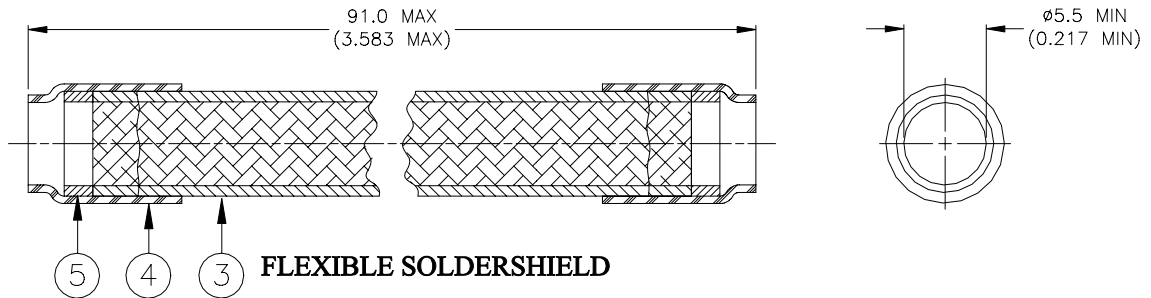
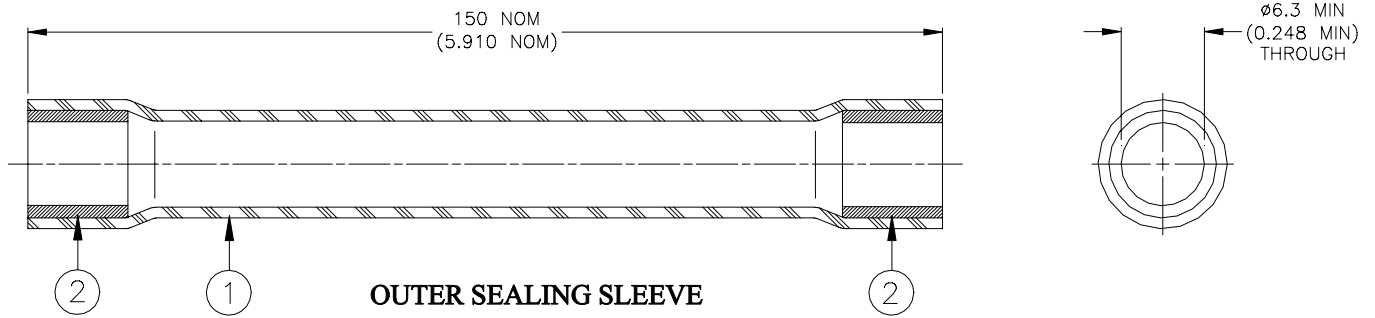


SPECIFICATION CONTROL DRAWING



tyco <i>Electronics</i>	Tyco Electronics Corporation 300 Constitution Drive, Menlo Park, CA. 94025, U.S.A.	Raychem	TITLE: Raychem Hi-Spec Flexible Bus Cable Joint MIL-STD-1553B Lightweight System				
Unless otherwise specified dimensions are in millimeters. [Inches dimensions are shown in brackets]			DOCUMENT NO.: D-150-9133				
TOLERANCES: 0.00 N/A 0.0 N/A 0 N/A	ANGLES: N/A ROUGHNESS IN MICRON	Tyco Electronics reserves the right to amend this drawing at any time. Users should evaluate the suitability of the product for their application.		DOC. ISSUE: 1	DATE: 27-Sept-00		
DRAWN BY: M. FORONDA	CAGE CODE: 06090	REPLACES: N/A	DCR NUMBER: D000423	PROD. REV.: F	SCALE: None	SIZE: A	SHEET: 1 of 2

If this document is printed it becomes uncontrolled. Check for the latest revision.

MATERIALS

1. SEALING SLEEVE: High temperature fluid stabilized cross-linked elastomer to Specification RK-6008.
Color: black.
2. MELTABLE RINGS: Modified stabilized elastomer-fluoropolymer thermoplastic.
3. BRAID: Solder impregnated, flux coated, tin plated copper wire braid.
SOLDER: TYPE Sn96 per ANSI J-STD-006.
FLUX: TYPE ROM1 per ANSI-J-STD-004.
4. INSULATION SLEEVE: Heat-shrinkable, transparent blue, radiation cross-linked modified polyvinylidene fluoride.
5. SOLDER PREFORM:
SOLDER: TYPE Sn96 per ANSI J-STD-006.
6. INSULATION SLEEVE: Heat-shrinkable, transparent blue, radiation cross-linked modified polyvinylidene fluoride.
7. CRIMP: Copper Alloy 102 per ASTM B75. Tin plated per MIL-T-10727 Type T. Red stripe code.

APPLICATION

1. This flexible cable joint is designed to facilitate the assembly or maintenance of pre-cabled digital harness components for MIL-STD-1553B networks. It should be used where continuous flexing is not a functional requirement.
2. Cables to be joined, Raychem 10612, 10613, 10614.
3. Minimum bend radius; Static: 80mm. Dynamic: not recommended.
4. Temperature range: -65°C to +150°C. Brief excursions to 200°C permissible without degradation.
5. Designed to meet performance requirements of Raychem Specification HPDS-0519.
6. For installation procedure and tooling, see RPIP-600-12.

DRAWN BY: M. FORONDA	CAGE CODE: 06090	REPLACES: N/A	DCR NUMBER: D000423	PROD. REV.: F	SCALE: None	SIZE: A	SHEET: 2 of 2
-------------------------	---------------------	------------------	------------------------	------------------	----------------	------------	------------------

If this document is printed it becomes uncontrolled. Check for the latest revision.