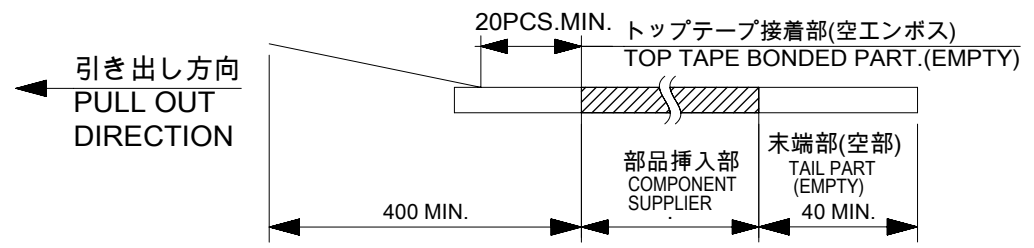


- NOTES**
- 製品詳細寸法については製品単体図面を参照下さい。
RE DETAIL DIMENSION, SEE SALES DRAWING FOR CONNECTOR.
 - 梱包数量：1000個 / リール
NUMBER OF CONNECTORS : 1000 PCS/REEL
 - リードテープ長さ LEAD TAPE LENGTH

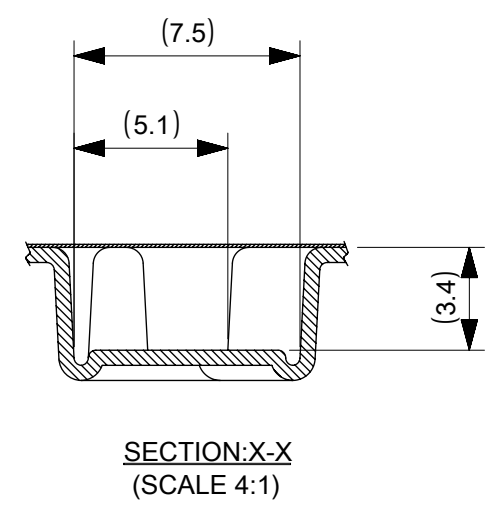
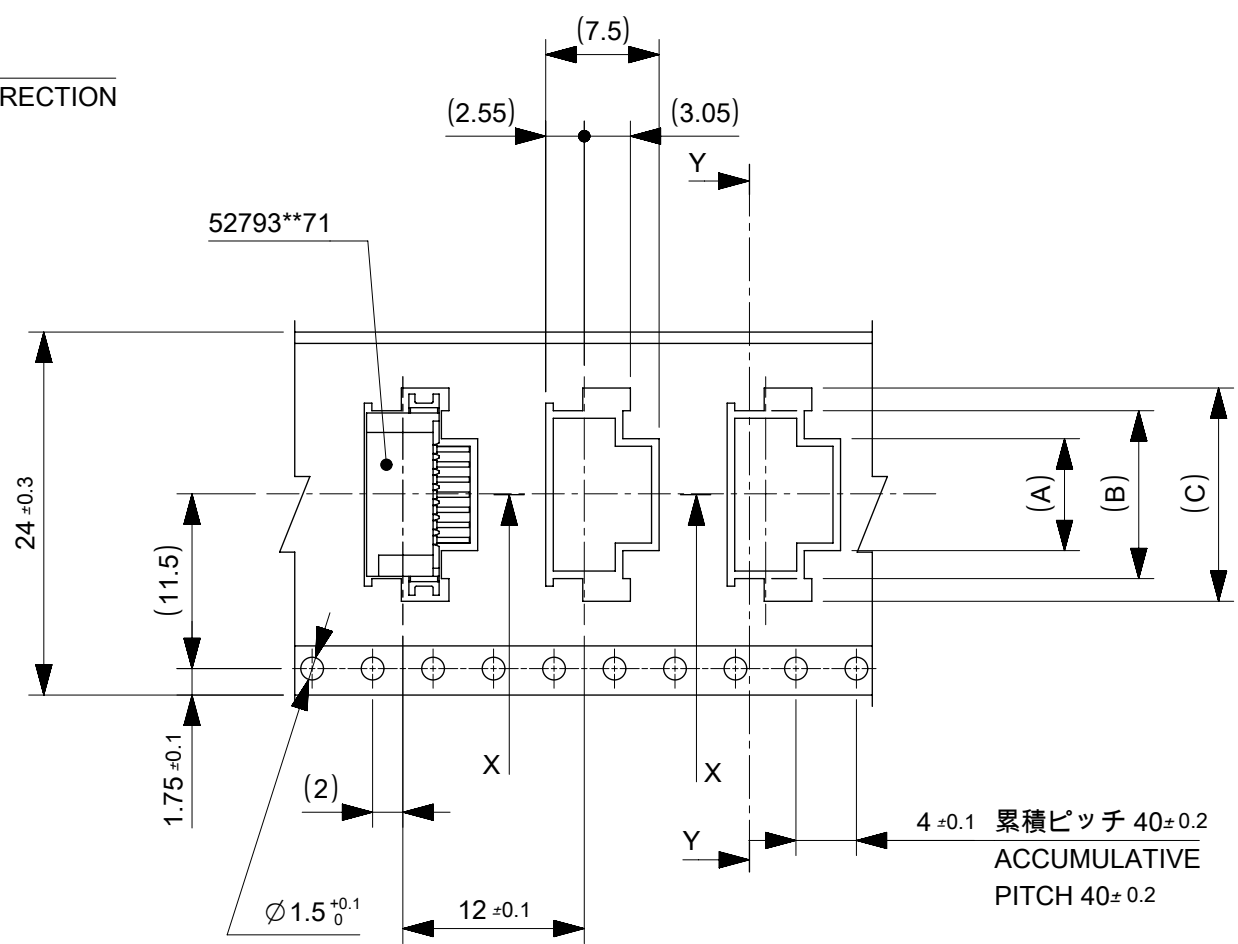
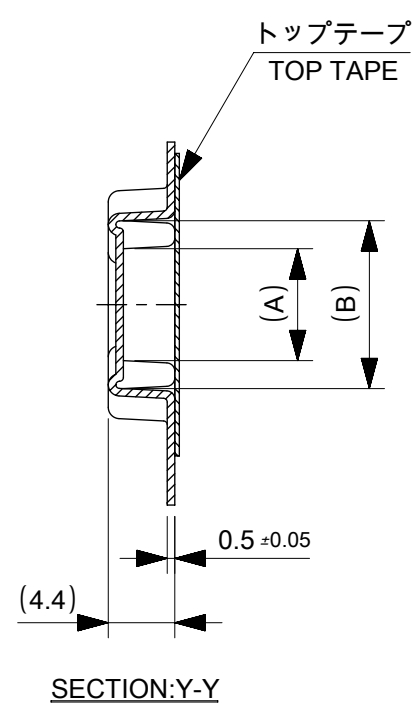


- 材料 (MATERIAL)
 キャリアテープ (CARRIER TAPE) : ポリプロピレン (POLYPROPYLENE)
 トップテープ (TOP TAPE) : PET, PE, PEF
 リール (REEL) : ポリスチレン (PS) <リサイクル材含む>
 POLYSTYRENE (PS)<RECYCLE MATERIAL CONTAINED>
- 本製品は 52793 シリーズの金メッキ品である。
 THIS PRODUCT IS Au PLATING OF 52793 SERIES.

52793**72 MODEL NO.

| | | | | | | | | | |
|---|--|-----|--|------------|-----------------|--|--|--|--|
| THIS DRAWING CONTAINS INFORMATION THAT IS PROPRIETARY TO MOLEX ELECTRONIC TECHNOLOGIES, LLC AND SHOULD NOT BE USED WITHOUT WRITTEN PERMISSION | | | | | | | | | |
| EC NO: 108819 DRWN: RLALSANGI CHK'D: KTAKAHASHI APPR: TKUSUHARA01 | 2016/02/03 2016/09/28 2016/09/29 | | GENERAL TOLERANCES (UNLESS SPECIFIED) ANGULAR TOL ± 3.0 ° | | DIMENSION UNITS | SCALE | | | |
| | 4 PLACES ± 0.2 | | 3 PLACES ± 0.2 | | MM | NTS | | | |
| | 2 PLACES ± 0.25 | | 1 PLACE ± 0.3 | | DRWN BY | DATE | 1.0 FFC CONN NON ZIF SMT RA UPPER CONT EMBSTP PKG -LEAD FREE- | | |
| | 0 PLACES ± 0.3 | | DRAFT WHERE APPLICABLE MUST REMAIN WITHIN DIMENSIONS | | CHK'D BY | DATE | | | |
| | A | | REV | | DRAUGHTING | | PRODUCT CUSTOMER DRAWING | | |
| A | | REV | | DRAUGHTING | | SERIES: 52793 MATERIAL NUMBER: 527930001 CUSTOMER: GENERAL | | | |
| A | | REV | | DRAUGHTING | | DOCUMENT NUMBER: 527930001 DOC TYPE: PSD DOC PART: 000 SHEET NUMBER: 1 OF 5 | | | |

引き出し方向
PULL OUT DIRECTION



24mm幅キャリアテープ
24mm WIDTH CARRIER TAPE

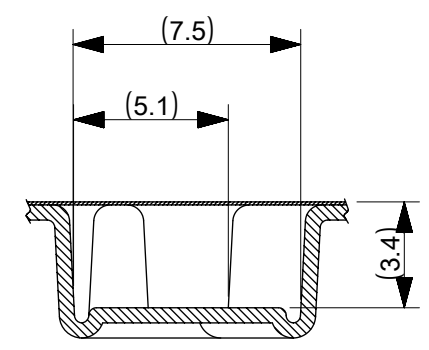
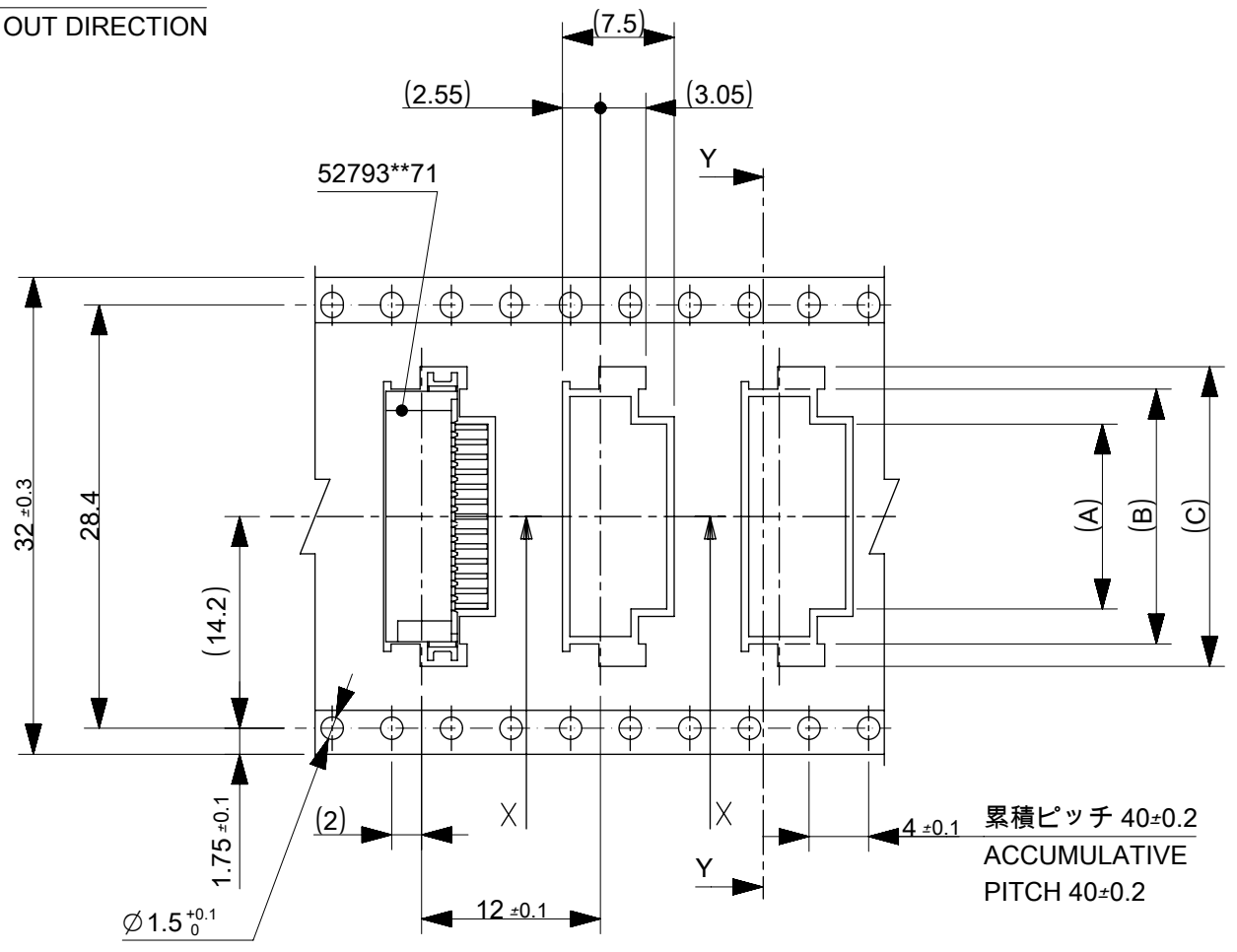
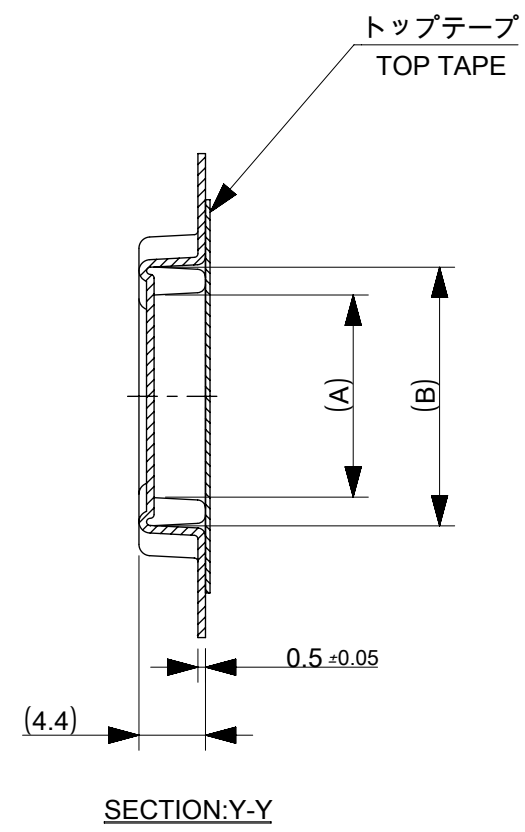
| | | | | | | | | | |
|--------------------------------|------|------|------|------|------|-----------|-----|--------------|---------------|
| 24 | 29.4 | 25.4 | 18.1 | 15.1 | 11.4 | 527931172 | 11 | | |
| | | | 17.1 | 14.1 | 10.4 | 527931072 | 10 | | |
| | | | 14.1 | 11.1 | 7.4 | 527930772 | 7 | | |
| | | | 13.1 | 10.1 | 6.4 | 527930672 | 6 | | |
| | | | 12.1 | 9.1 | 5.4 | 527930572 | 5 | | |
| | | | 11.1 | 8.1 | 4.4 | 527930472 | 4 | | |
| キャリアテープ幅 CARRIER TAPE WIDTH | | | E | D | (C) | (B) | (A) | MATERIAL.NO. | 極数 CIRCUIT |

52793**72 MODEL NO.

THIS DRAWING CONTAINS INFORMATION THAT IS PROPRIETARY TO MOLEX ELECTRONIC TECHNOLOGIES, LLC AND SHOULD NOT BE USED WITHOUT WRITTEN PERMISSION

| | | | | | | | | | |
|--|--|---------------------------------------|-------------|-----------------|--------------------------|-----------------|----------|--------------|--------|
| EC NO: 108819 DRWN: RLALSANGI CHK'D: KTAKAHASHI APPR: TKUSUHARA01 | 2016/02/03 | GENERAL TOLERANCES (UNLESS SPECIFIED) | | DIMENSION UNITS | SCALE | | | | |
| | 2016/09/28 | ANGULAR TOL ± 3.0 ° | | MM | NTS | | | | |
| | 2016/09/29 | 4 PLACES | ± 0.2 | DRWN BY | DATE | | | | |
| | | 3 PLACES | ± 0.2 | RLALSANGI | 2016/02/03 | | | | |
| | | 2 PLACES | ± 0.25 | CHK'D BY | DATE | | | | |
| | | 1 PLACE | ± 0.3 | KTAKAHASHI | 2016/09/28 | | | | |
| | 0 PLACES | ± 0.3 | APPR BY | DATE | PRODUCT CUSTOMER DRAWING | | | | |
| | DRAFT WHERE APPLICABLE MUST REMAIN WITHIN DIMENSIONS | | TKUSUHARA01 | 2016/09/29 | | | | | |
| | DRAWING SIZE | THIRD ANGLE PROJECTION | | SERIES | | MATERIAL NUMBER | CUSTOMER | | |
| | A3 | | | 52793 | | | GENERAL | | |
| | | | | DOCUMENT NUMBER | | DOC TYPE | DOC PART | SHEET NUMBER | |
| | | | | A3 | | 527930001 | PSD | 000 | 2 OF 5 |

引き出し方向
PULL OUT DIRECTION



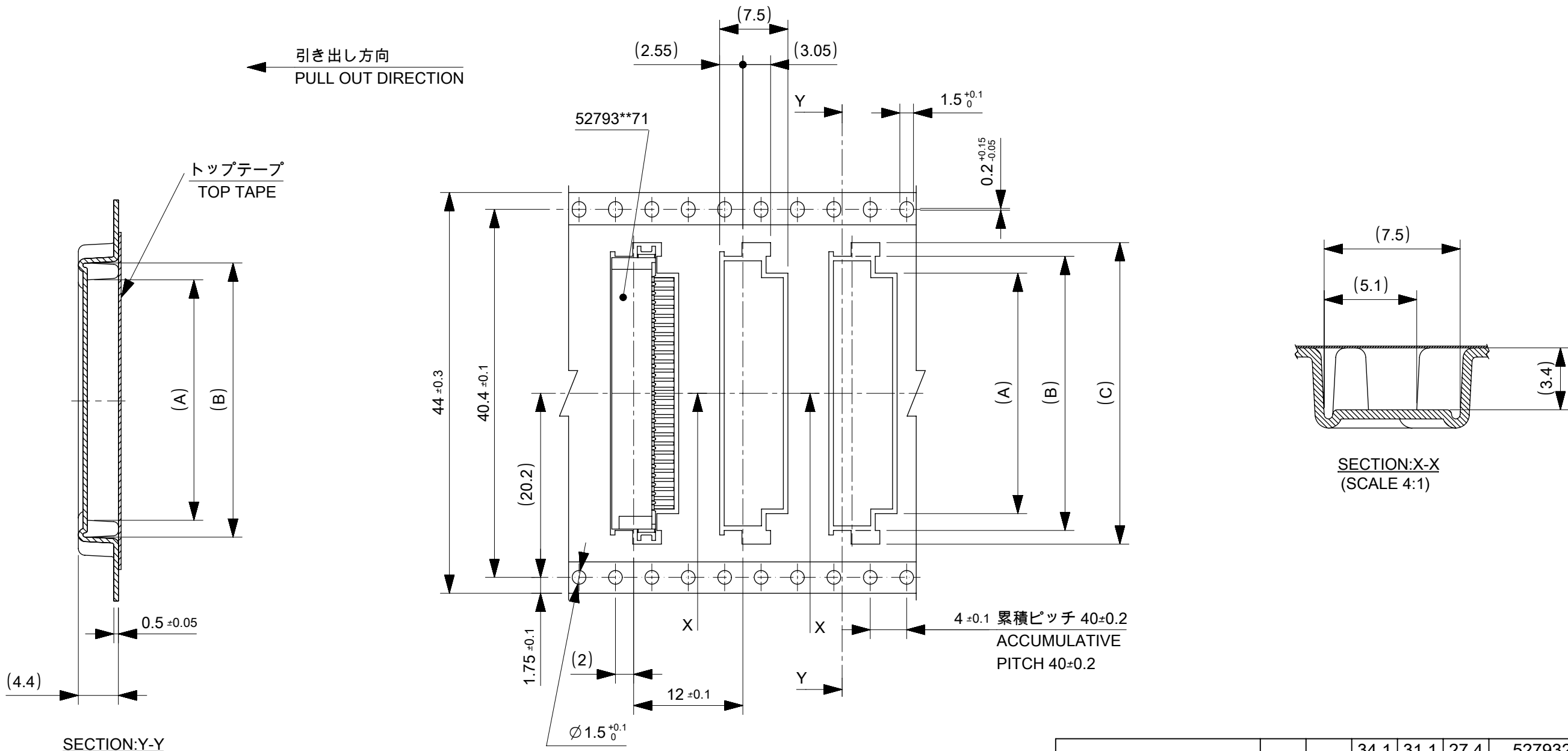
32mm 幅キャリアテープ
32mm WIDTH CARRIER TAPE

| | | | | | | | |
|--------------------------------|------|------|------|------|------|--------------|---------------|
| 32 | 37.4 | 33.4 | 21.1 | 20.1 | 16.4 | 527931672 | 16 |
| | | | 23.1 | 18.1 | 14.4 | 527931472 | 14 |
| | | | 19.1 | 16.1 | 12.4 | 527931272 | 12 |
| キャリアテープ幅 CARRIER TAPE WIDTH | E | D | (C) | (B) | (A) | MATERIAL NO. | 極数 CIRCUIT |

52793**72 MODEL NO.

THIS DRAWING CONTAINS INFORMATION THAT IS PROPRIETARY TO MOLEX ELECTRONIC TECHNOLOGIES, LLC AND SHOULD NOT BE USED WITHOUT WRITTEN PERMISSION

| | | | | | | |
|--|------------|---------------------------------------|--|-----------------|------------------------|--------------------------|
| EC NO: 108819 DRWN: RLALSANGI CHK'D: KTAKAHASHI APPR: TKUSUHARA01 | 2016/02/03 | GENERAL TOLERANCES (UNLESS SPECIFIED) | | DIMENSION UNITS | SCALE | |
| | 2016/09/28 | ANGULAR TOL ± 3.0 ° | | MM | NTS | |
| | 2016/09/29 | 4 PLACES | ± 0.2 | DRWN BY | DATE | |
| | | 3 PLACES | ± 0.2 | RLALSANGI | 2016/02/03 | |
| | | 2 PLACES | ± 0.25 | CHK'D BY | DATE | |
| | 1 PLACE | ± 0.3 | KTAKAHASHI | 2016/09/28 | | |
| | 0 PLACES | ± 0.3 | APPR BY | DATE | | |
| | | | TKUSUHARA01 | 2016/09/29 | | |
| | | | DRAFT WHERE APPLICABLE MUST REMAIN WITHIN DIMENSIONS | DRAWING SIZE | THIRD ANGLE PROJECTION | PRODUCT CUSTOMER DRAWING |
| | | | | A3 | | SERIES |
| | | | | | | 52793 |
| | | | | | | MATERIAL NUMBER |
| | | | | | | 527930001 |
| | | | | | | CUSTOMER |
| | | | | | | GENERAL |
| | | | | | | DOCUMENT NUMBER |
| | | | | | | 527930001 |
| | | | | | | DOC TYPE |
| | | | | | | PSD |
| | | | | | | DOC PART |
| | | | | | | 000 |
| | | | | | | SHEET NUMBER |
| | | | | | | 3 OF 5 |



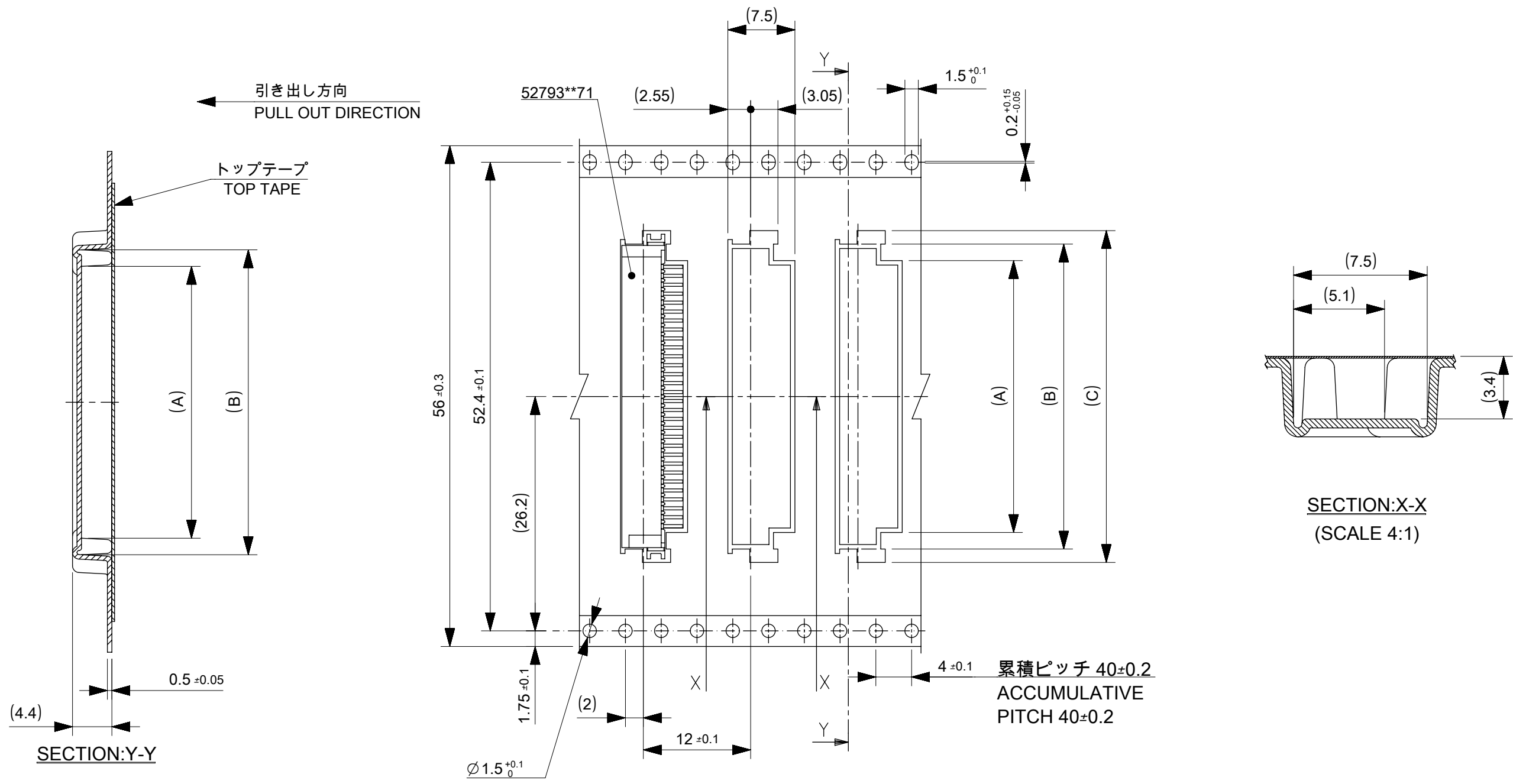
44mm幅キャリアテープ
44mm WIDTH CARRIER TAPE

| | | | | | | | |
|--------------------------------|------|------|------|------|------|--------------|---------------|
| 44 | 49.5 | 45.4 | 34.1 | 31.1 | 27.4 | 527932772 | 27 |
| | | | 33.1 | 30.1 | 26.4 | 527932672 | 26 |
| | | | 29.1 | 26.1 | 22.4 | 527932272 | 22 |
| | | | 27.1 | 24.1 | 20.4 | 527932072 | 20 |
| | | | 26.1 | 23.1 | 19.4 | 527931972 | 19 |
| キャリアテープ幅 CARRIER TAPE WIDTH | E | D | (C) | (B) | (A) | MATERIAL.NO. | 極数 CIRCUIT |

52793**72 MODEL NO.

THIS DRAWING CONTAINS INFORMATION THAT IS PROPRIETARY TO MOLEX ELECTRONIC TECHNOLOGIES, LLC AND SHOULD NOT BE USED WITHOUT WRITTEN PERMISSION

| | | | | | | | | | |
|--|------------|---------------------------------------|--|-----------------|------------------------|--------------------------|-----------------|----------|--------------|
| EC NO: 108819 DRWN: RLALSANGI CHK'D: KTAKAHASHI APPR: TKUSUHARA01 | 2016/02/03 | GENERAL TOLERANCES (UNLESS SPECIFIED) | | DIMENSION UNITS | SCALE | | | | |
| | 2016/09/28 | ANGULAR TOL ± 3.0 ° | | MM | NTS | | | | |
| | 2016/09/29 | 4 PLACES | ± 0.2 | DRWN BY | DATE | | | | |
| | | 3 PLACES | ± 0.2 | RLALSANGI | 2016/02/03 | | | | |
| | | 2 PLACES | ± 0.25 | CHK'D BY | DATE | | | | |
| | 1 PLACE | ± 0.3 | KTAKAHASHI | 2016/09/28 | | | | | |
| | 0 PLACES | ± 0.3 | APPR BY | DATE | | | | | |
| | | | TKUSUHARA01 | 2016/09/29 | | | | | |
| | | | DRAFT WHERE APPLICABLE MUST REMAIN WITHIN DIMENSIONS | DRAWING SIZE | THIRD ANGLE PROJECTION | PRODUCT CUSTOMER DRAWING | | | |
| | | | | A3 | | SERIES | MATERIAL NUMBER | CUSTOMER | |
| | | | | | | 52793 | | GENERAL | |
| | | | | | | DOCUMENT NUMBER | DOC TYPE | DOC PART | SHEET NUMBER |
| | | | | | | 527930001 | PSD | 000 | 4 OF 5 |

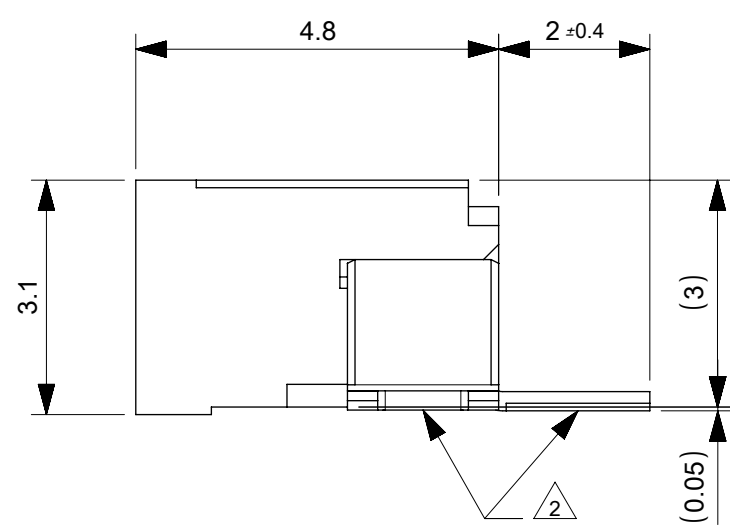
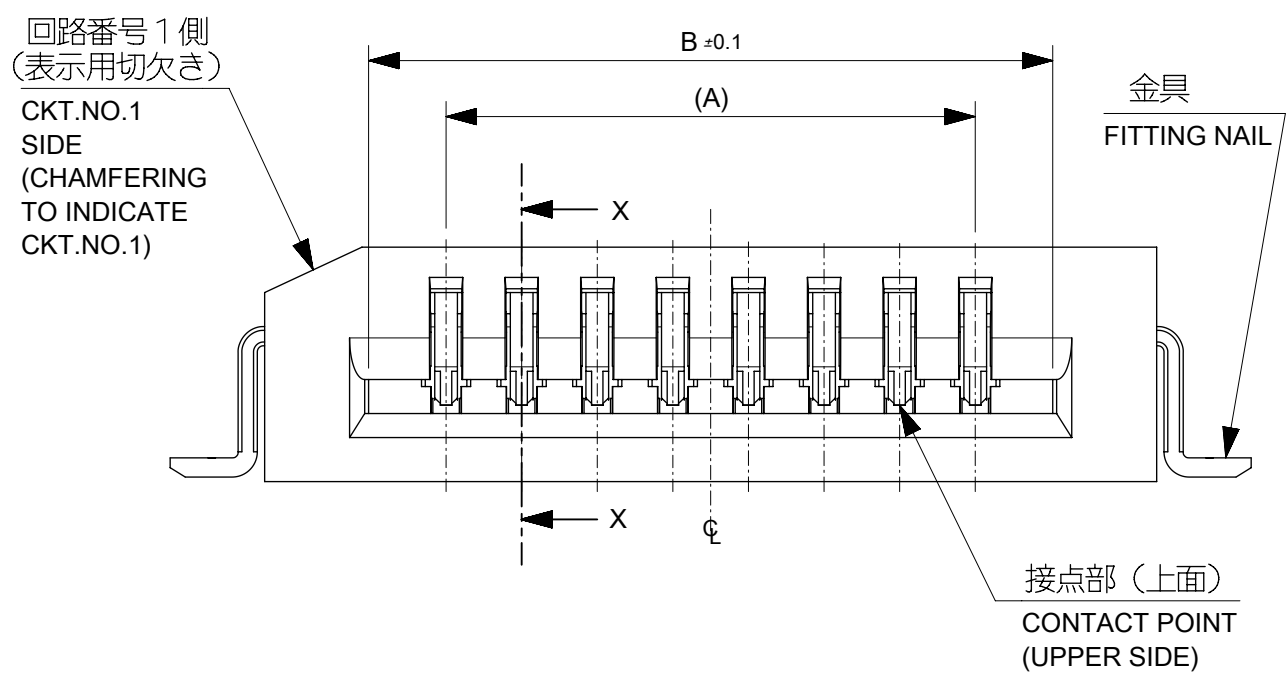
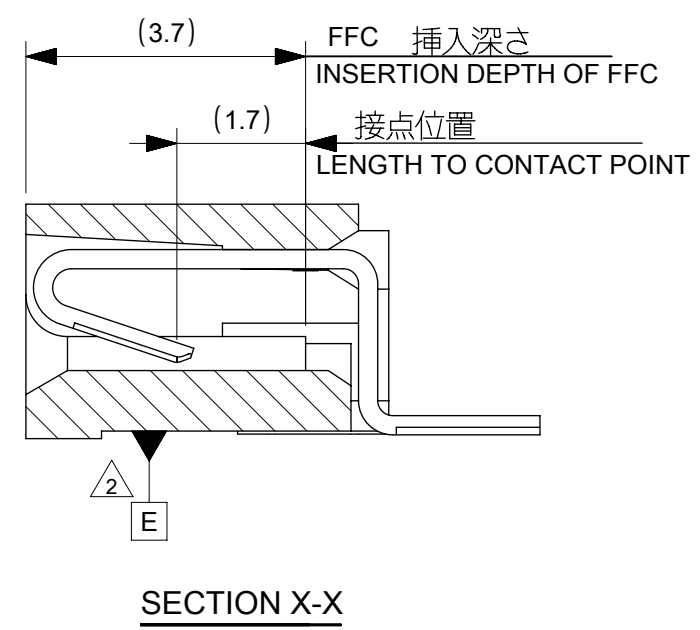
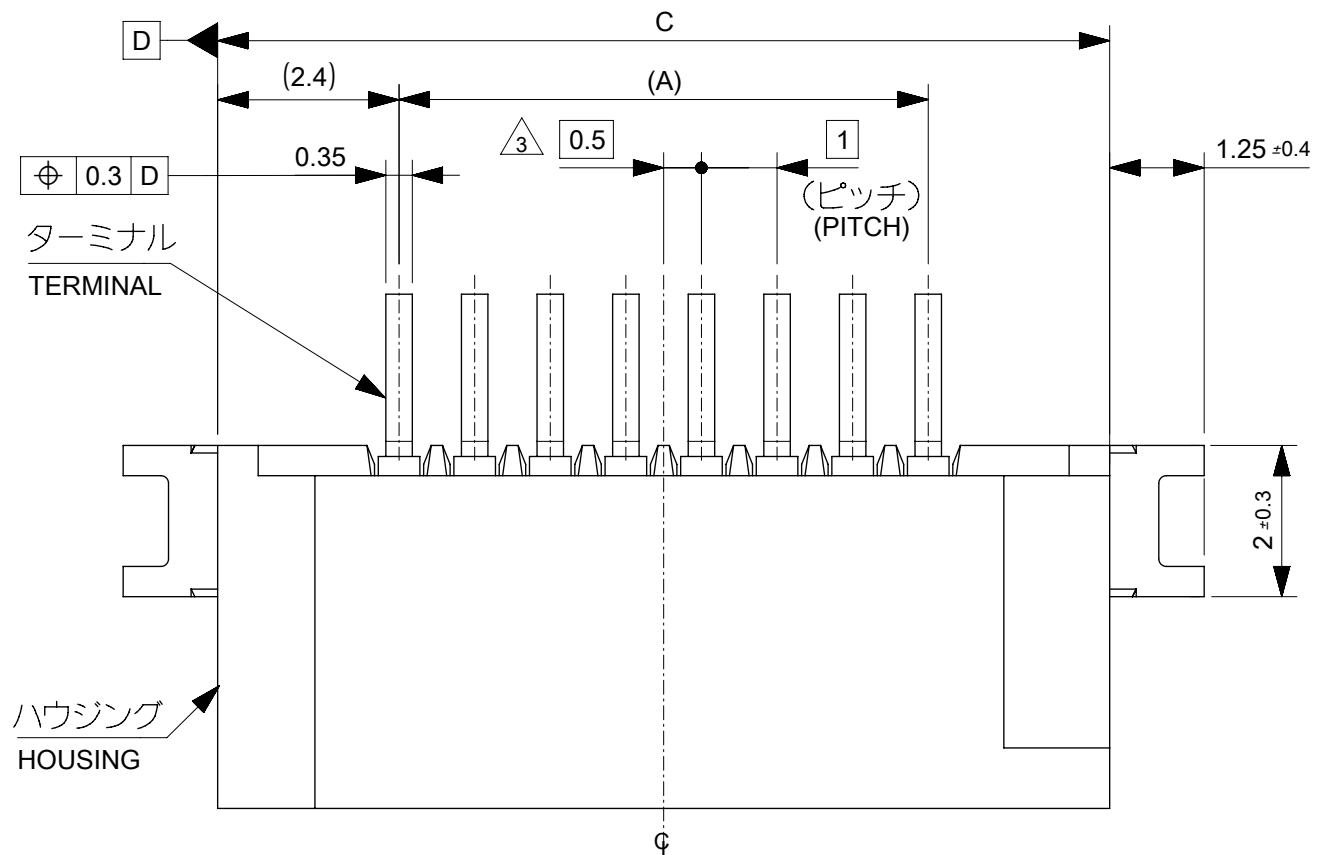


56mm 幅キャリアテープ
56mm WIDTH CARRIER TAPE

| | | | | | | | |
|--------------------------------|------|------|------|------|------|--------------|---------------|
| 56 | 61.4 | 57.4 | 37.1 | 34.1 | 30.4 | 527933072 | 30 |
| | | | 36.1 | 33.1 | 29.4 | 527932972 | 29 |
| | | | 35.1 | 32.1 | 28.4 | 527932872 | 28 |
| キャリアテープ幅 CARRIER TAPE WIDTH | E | D | (C) | (B) | (A) | MATERIAL NO. | 極数 CIRCUIT |
| | | | | | | 52793**72 | MODEL NO. |

THIS DRAWING CONTAINS INFORMATION THAT IS PROPRIETARY TO MOLEX ELECTRONIC TECHNOLOGIES, LLC AND SHOULD NOT BE USED WITHOUT WRITTEN PERMISSION

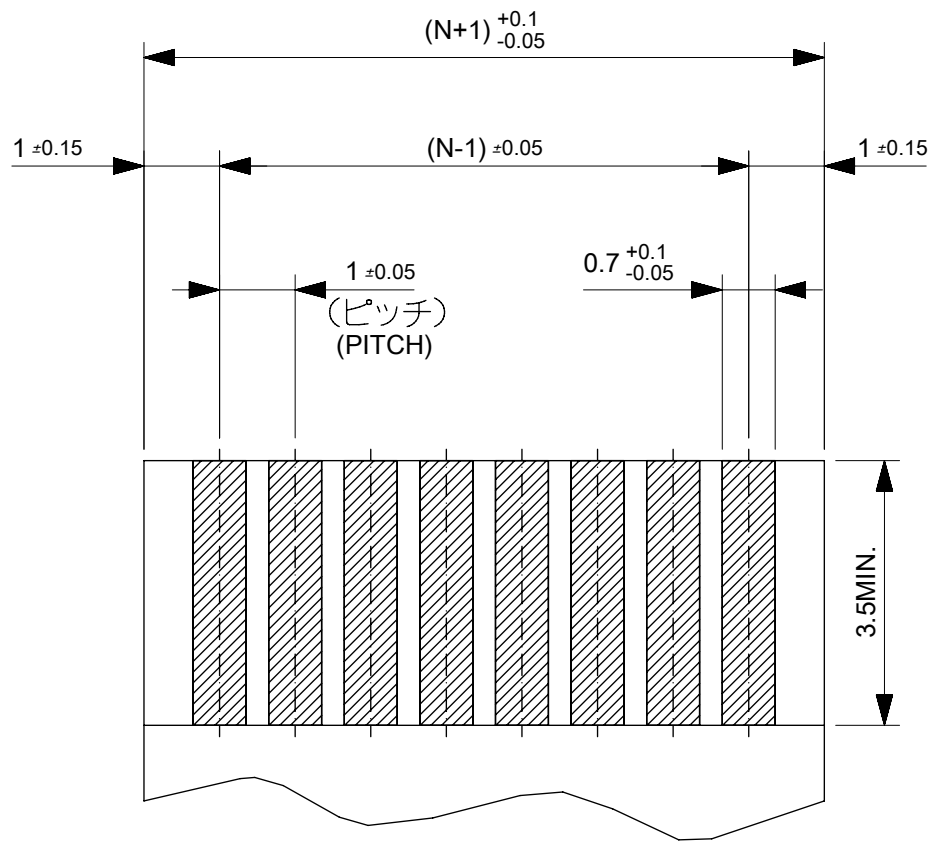
| | | | | | | |
|--|------------|---------------------------------------|--|-----------------|------------------------|----------------------------|
| EC NO: 108819 DRWN: RLALSANGI CHK'D: KTAKAHASHI APPR: TKUSUHARA01 | 2016/02/03 | GENERAL TOLERANCES (UNLESS SPECIFIED) | | DIMENSION UNITS | SCALE | |
| | 2016/09/28 | ANGULAR TOL ± 3.0 ° | | MM | NTS | |
| | 2016/09/29 | 4 PLACES | ± 0.2 | DRWN BY | DATE | |
| | | 3 PLACES | ± 0.2 | RLALSANGI | 2016/02/03 | |
| | | 2 PLACES | ± 0.25 | CHK'D BY | DATE | |
| | 1 PLACE | ± 0.3 | KTAKAHASHI | 2016/09/28 | | |
| | 0 PLACES | ± 0.3 | APPR BY | DATE | | |
| | | | TKUSUHARA01 | 2016/09/29 | | |
| | | | DRAFT WHERE APPLICABLE MUST REMAIN WITHIN DIMENSIONS | DRAWING SIZE | THIRD ANGLE PROJECTION | PRODUCT CUSTOMER DRAWING |
| | | | | A3 | | SERIES: 52793 |
| | | | | | | MATERIAL NUMBER: 527930001 |
| | | | | | | CUSTOMER: GENERAL |
| | | | | | | DOCUMENT NUMBER: 527930001 |
| | | | | | | DOC TYPE: PSD |
| | | | | | | DOC PART: 000 |
| | | | | | | SHEET NUMBER: 5 OF 5 |



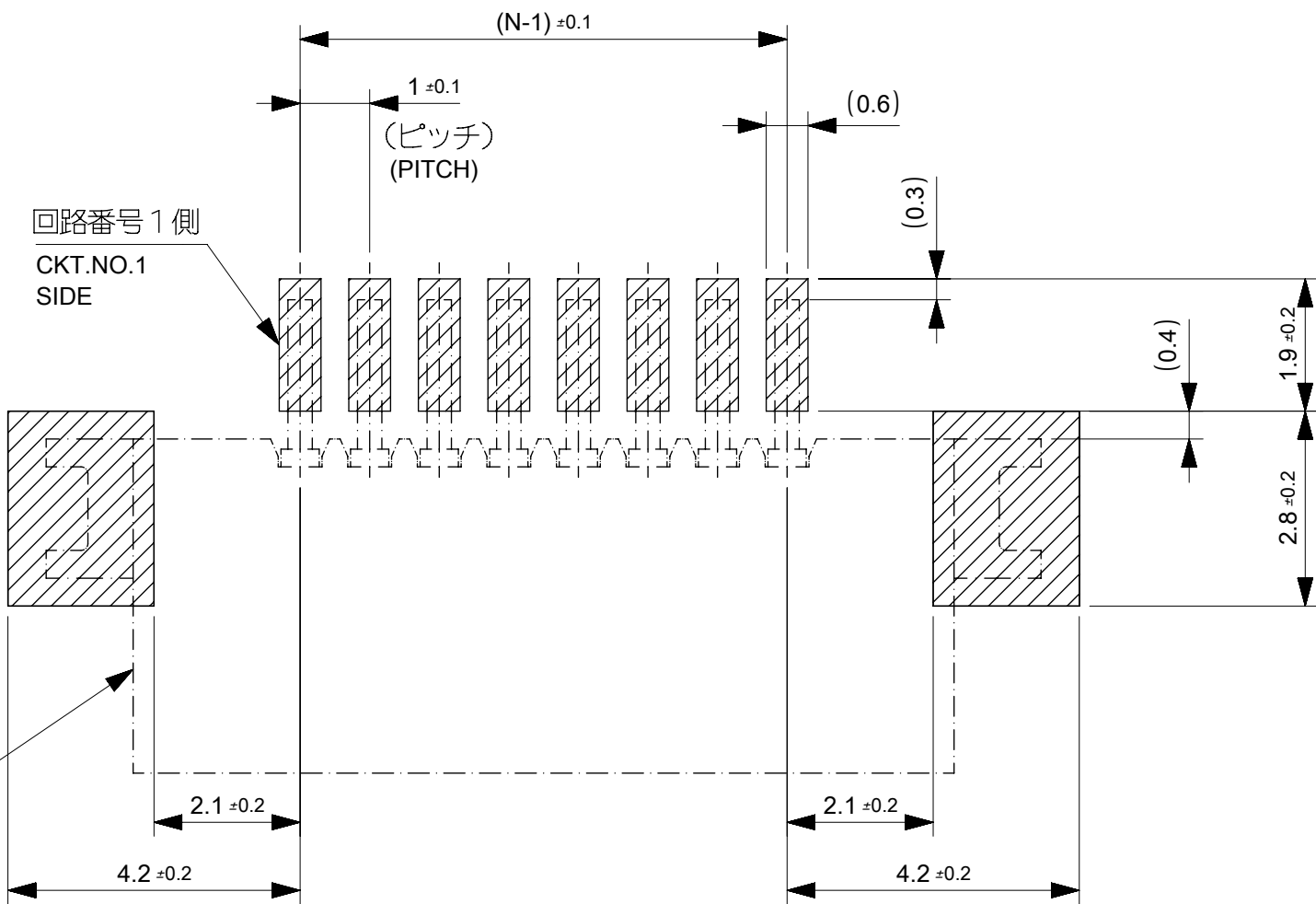
| | | | | |
|------|-------|----|--------------|---------------|
| 33.8 | 31.05 | 29 | 527933071 | 30 |
| 32.8 | 30.05 | 28 | 527932971 | 29 |
| 31.8 | 29.05 | 27 | 527932871 | 28 |
| 30.8 | 28.05 | 26 | 527932771 | 27 |
| 29.8 | 27.05 | 25 | 527932671 | 26 |
| 25.8 | 23.05 | 21 | 527932271 | 22 |
| 23.8 | 21.05 | 19 | 527932071 | 20 |
| 21.8 | 20.05 | 18 | 527931971 | 19 |
| 19.8 | 17.05 | 15 | 527931671 | 16 |
| 17.8 | 15.05 | 13 | 527931471 | 14 |
| 15.8 | 13.05 | 11 | 527931271 | 12 |
| 14.8 | 12.05 | 10 | 527931171 | 11 |
| 13.8 | 11.05 | 9 | 527931071 | 10 |
| 10.8 | 8.05 | 6 | 527930771 | 7 |
| 9.8 | 7.05 | 5 | 527930671 | 6 |
| 8.8 | 6.05 | 4 | 527930571 | 5 |
| 7.8 | 5.05 | 3 | 527930471 | 4 |
| C | B | A | MATERIAL NO. | 極数 CIRCUIT |
| | | | 52793**71 | MODEL NO. |

THIS DRAWING CONTAINS INFORMATION THAT IS PROPRIETARY TO MOLEX ELECTRONIC TECHNOLOGIES, LLC AND SHOULD NOT BE USED WITHOUT WRITTEN PERMISSION

| | | | | | | |
|--|------------|---------------------------------------|--|-----------------|------------------------|---|
| EC NO: 108819 DRWN: KMKERUR CHK'D: KTAKAHASHI APPR: TKUSUHARA01 | 2016/02/03 | GENERAL TOLERANCES (UNLESS SPECIFIED) | | DIMENSION UNITS | SCALE | |
| | 2016/09/28 | ANGULAR TOL ± 3.0 ° | | MM | 10:1 | |
| | 2016/09/29 | 4 PLACES ± 0.2 | 3 PLACES ± 0.2 | DRWN BY | DATE | |
| | | 2 PLACES ± 0.25 | 1 PLACE ± 0.3 | KMKERUR | 2016/02/03 | |
| | | 0 PLACES ± 0.3 | DRAFT WHERE APPLICABLE MUST REMAIN WITHIN DIMENSIONS | CHK'D BY | DATE | 1.0 FFC CONN NON ZIF SMT R/A (UPPER CONTACT) -LEAD FREE- |
| | | | TKAKAHASHI | 2016/09/28 | | |
| | | | TKUSUHARA01 | 2016/09/29 | | |
| | | | | APPR BY | DATE | PRODUCT CUSTOMER DRAWING |
| | | | | DRAWING SIZE | THIRD ANGLE PROJECTION | SERIES |
| | | | | A3 | | 52793 |
| | | | | | | MATERIAL NUMBER |
| | | | | | | 527931001 |
| | | | | | | CUSTOMER |
| | | | | | | GENERAL |
| | | | | | | DOCUMENT NUMBER |
| | | | | | | 527931001 |
| | | | | | | DOC TYPE |
| | | | | | | PSD |
| | | | | | | DOC PART |
| | | | | | | 000 |
| | | | | | | SHEET NUMBER |
| | | | | | | 1 OF 2 |



(仕上がり厚さ 0.3±0.03)
THICKNESS
適合 FPC 推奨寸法
APPLICABLE FPC
RECOMMENDED DIMENSION



参考基板レイアウト (マウント面)
RECOMMENDED P.C.BOARD
PATTERN DIMENSION (REF.)
(MOUNTING AREA)

注記 NOTES:

1. 使用材料 MATERIAL

ハウジング : PPS,UL94V-0
ターミナル : リン青銅 (t=0.25)
メッキ : ニッケル下地

接点部 金メッキ
テール部 錫メッキ

金具 : リン青銅 (t=0.25)
メッキ : ニッケル下地純錫メッキ

HOUSING : PPS,UL94V-0
TERMINAL : PHOSPHOR BRONZE
PLATING : CONTACT AREA : GOLD PLATING
TAIL AREA : TIN PLATING
OVER NICKEL
FITTING NAIL:PHOSPHOR BRONZE
PLATING : TIN OVER NICKEL

△2 基準面 E からソルダーテールとフィッティングネイルの半田付け面のズレ量は、
上方向に0.1MAX. 下方向 0.15 MAX. とする。
MISALIGNMENT OF SOLDER TAIL AND FITTING NAIL FROM E
:UPPER DIRECTION 0.1MAX. , LOWER DIRECTION 0.15 MAX.

△3 偶数極に適用。
APPLY FOR EVEN CKT..

4. 本製品は52793シリーズの金メッキ品である。
THIS PRODUCT IS Au PLATING OF 52793 SERIES.

THIS DRAWING CONTAINS INFORMATION THAT IS PROPRIETARY TO MOLEX ELECTRONIC TECHNOLOGIES, LLC AND SHOULD NOT BE USED WITHOUT WRITTEN PERMISSION

| | | | | | | | | | | |
|--|------------|---------------------------------------|----------------|--|--------------|---|-----------------|----------|----------|--------------|
| EC NO: 108819 DRWN: KMKERUR CHK'D: KTAKAHASHI REV APPR: TKUSUHARA01 | 2016/02/03 | GENERAL TOLERANCES (UNLESS SPECIFIED) | | DIMENSION UNITS | SCALE | | | | | |
| | 2016/09/28 | ANGULAR TOL ± 3.0 ° | | MM | 10:1 | | | | | |
| | 2016/09/29 | 4 PLACES ± 0.2 | 3 PLACES ± 0.2 | DRWN BY | DATE | | | | | |
| | | 2 PLACES ± 0.25 | 1 PLACE ± 0.3 | KMKERUR | 2016/02/03 | | | | | |
| | | 0 PLACES ± 0.3 | 0 PLACES ± 0.3 | CHK'D BY | DATE | 1.0 FFC CONN NON ZIF SMT R/A (UPPER CONTACT) -LEAD FREE- | | | | |
| | | | | KTAKAHASHI | 2016/09/28 | | | | | |
| | | | | APPR BY | DATE | PRODUCT CUSTOMER DRAWING | | | | |
| | | | | TKUSUHARA01 | 2016/09/29 | SERIES | MATERIAL NUMBER | CUSTOMER | | |
| | | | | | | 52793 | | GENERAL | | |
| | | | | DRAFT WHERE APPLICABLE MUST REMAIN WITHIN DIMENSIONS | DRAWING SIZE | THIRD ANGLE PROJECTION | DOCUMENT NUMBER | DOC TYPE | DOC PART | SHEET NUMBER |
| | | | | | A3 | | 527931001 | PSD | 000 | 2 OF 2 |