

2P to 6P



Receptacles-Dual Keyway

#22 AWG PVC 12 inch leads – auto color code, epoxy potted
 Gray anodized aluminum shell
 Used in control panels, junction boxes and sensors

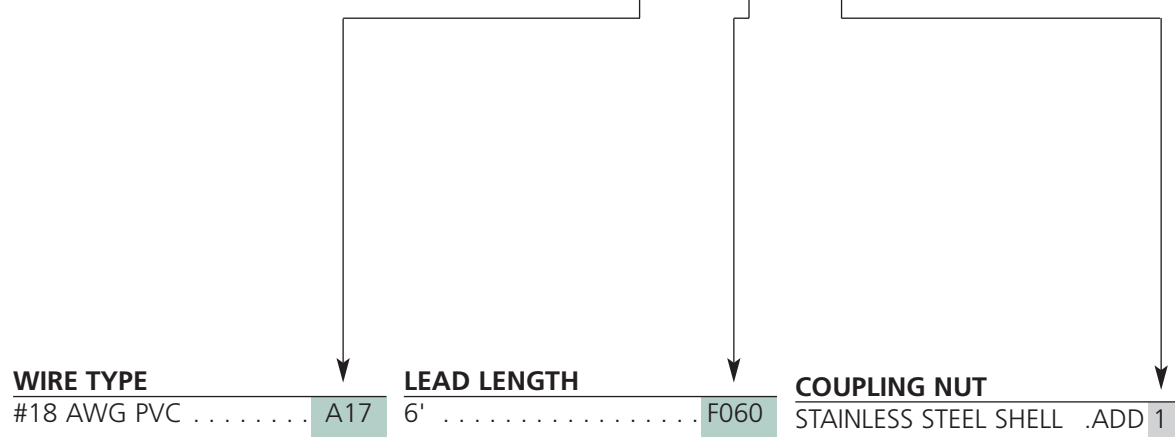
	2P	3P	4P	5P	6P
MALE FACE VIEW					
COLOR CODE	1- brown 2- blue	1- green - gnd 2- red - black trace 3- red - white trace	1- red - black trace 2- red - white trace 3- red 4- green - gnd	1- red - white trace 2- red 3- green - gnd 4- red - yellow trace 5- red - black trace	1- red - white trace 2- red 3- green - gnd 4- red - yellow trace 5- red - black trace 6- red- blue trace
VOLTAGE	250V AC/DC	250V AC/DC	250V AC/DC	250V AC/DC	250V AC/DC
CURRENT	4A	4A	4A	4A	4A
CONDUCTOR	#22-2	#22-3	#22-4	#22-5	#22-6

MALE	FIG	RECEPTACLES WITH #22 AWG PVC LEADS 12 INCHES LONG				
1/4" NPT THREADS	1	7R2A06A19A120	7R3A06A19A120	7R4A06A19A120	7R5A06A19A120	7R6A06A19A120
1/2" NPT THREADS	2	7R2006A19A120	7R3006A19A120	7R4006A19A120	7R5006A19A120	7R6006A19A120
FEMALE	FIG	RECEPTACLES WITH #22 AWG PVC LEADS 12 INCHES LONG				
1/4" NPT THREADS	3	7R2A00A19A120	7R3A00A19A120	7R4A00A19A120	7R5A00A19A120	7R6A00A19A120

CATALOG OPTIONS

Use the following chart to modify your part's specifications

7R2A06A19A1201



Specifications

2P to 6P



MECHANICAL

SHELL: GRAY ANODIZED ALUMINUM
 INSERT: NYLON 6/6
 O-RING: NITRILE RUBBER
 CONDUCTORS: #22 AWG WITH PVC INSULATION OVER 26 X #36 COPPER STRANDING, 300V, UL STYLE 1061, CSA AWM SR
 #18 AWG WITH PVC INSULATION OVER 26 X #30 COPPER STRANDING, 300V, UL STYLE 1061, CSA AWM SR

ELECTRICAL

VOLTAGE RATING: 250V AC/DC
 AMPERAGE: 2P - 4A
 3P - 4A
 4P - 4A
 5P - 4A
 6P - 4A

ENVIRONMENTAL

PROTECTION: IP 68, NEMA 6P
 AMBIENT OPERATING TEMP: -4° TO 176° F (-20° TO 80° C)

CERTIFICATIONS

UL: UL LISTED, FILE NO. E152210
 CSA: CSA CERTIFIED, FILE NO LR6837

RECEPTACLE DIMENSIONS

MALE RECEPTACLE WITH EXTERNAL THREADS AND 1/4" - 18NPT THREADS

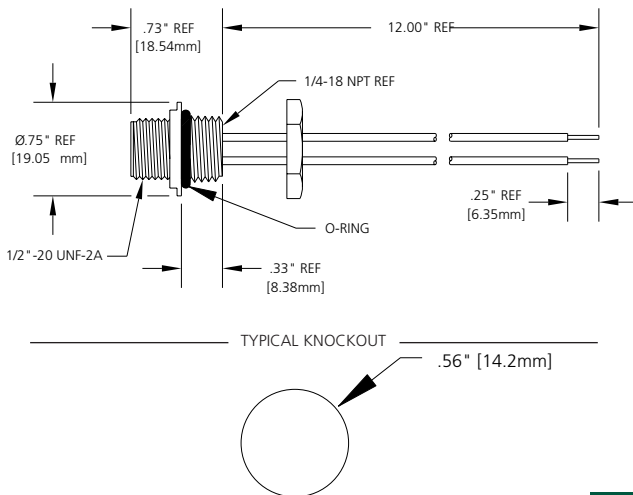


FIG 1

MALE RECEPTACLE WITH EXTERNAL THREADS AND 1/2" - 14NPT THREADS

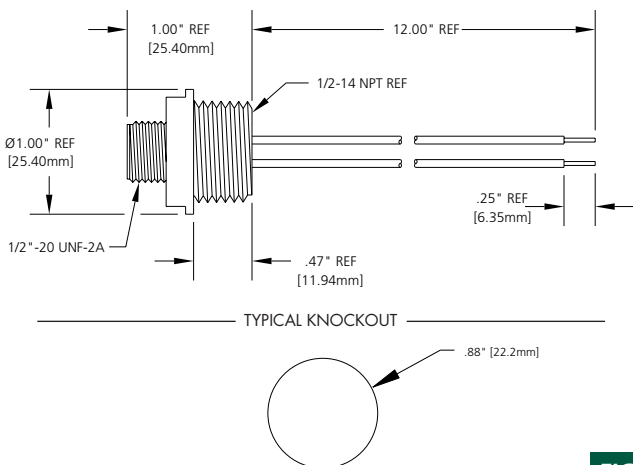
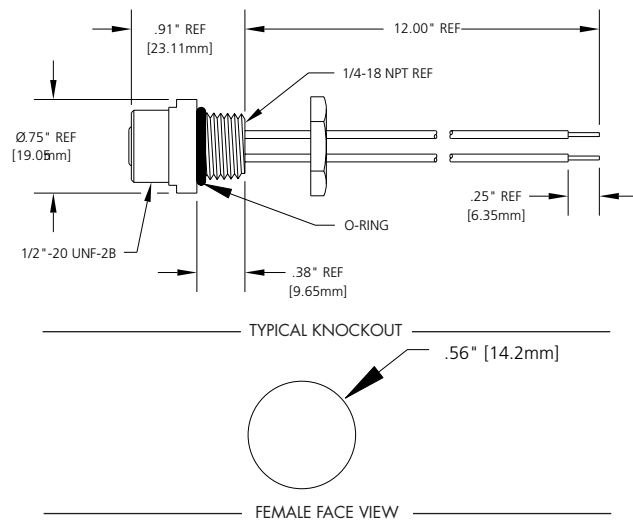


FIG 2

FEMALE RECEPTACLE WITH INTERNAL THREADS AND 1/4" - 18NPT THREADS



FEMALE FACE VIEW

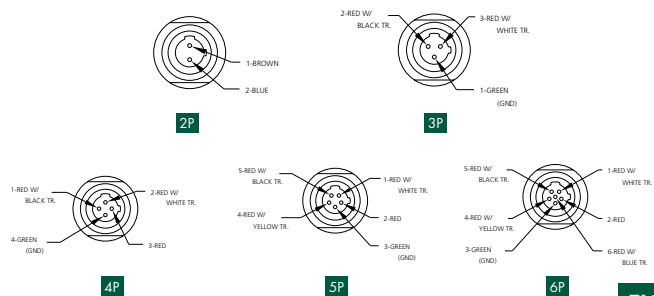


FIG 3