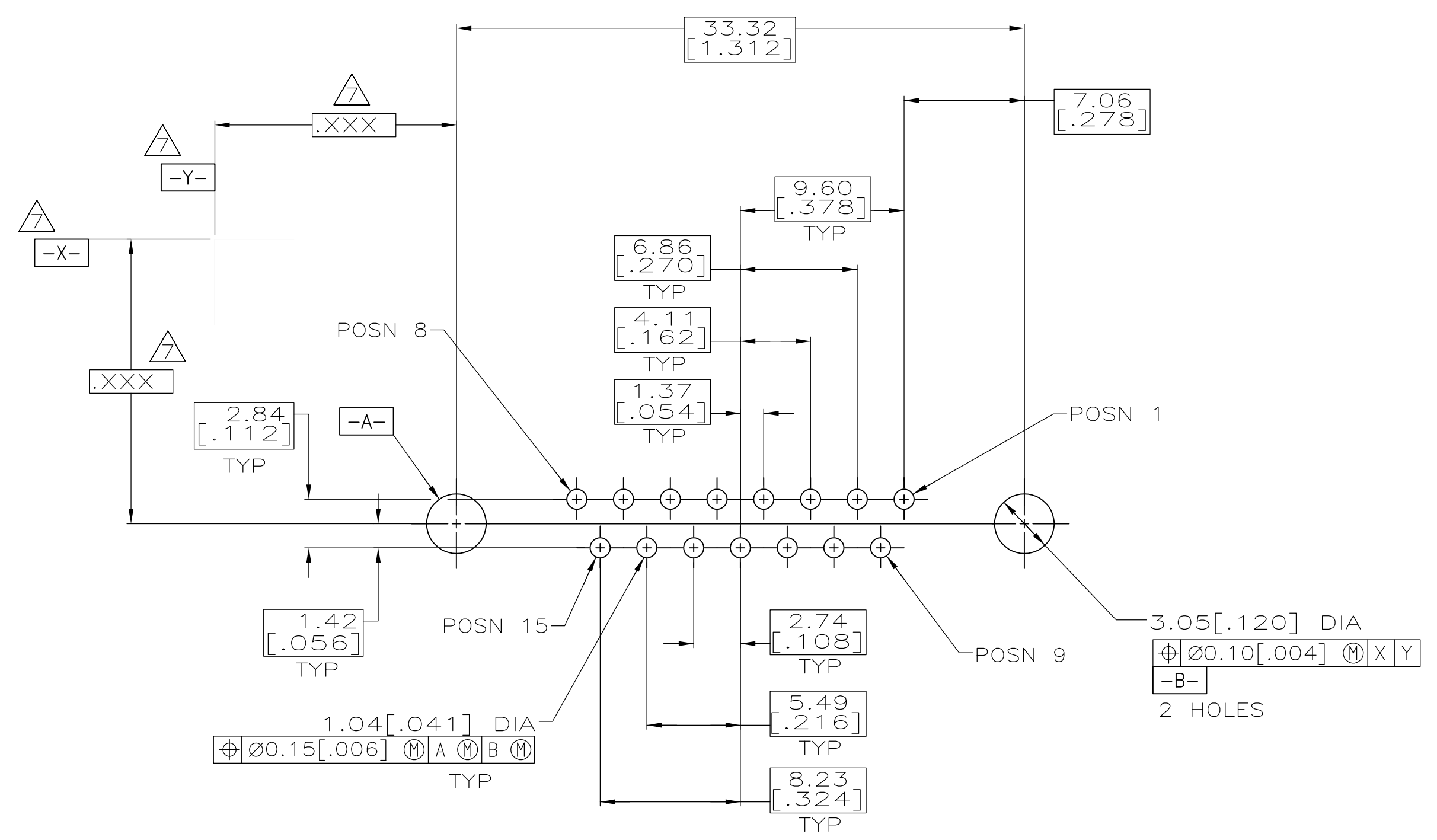
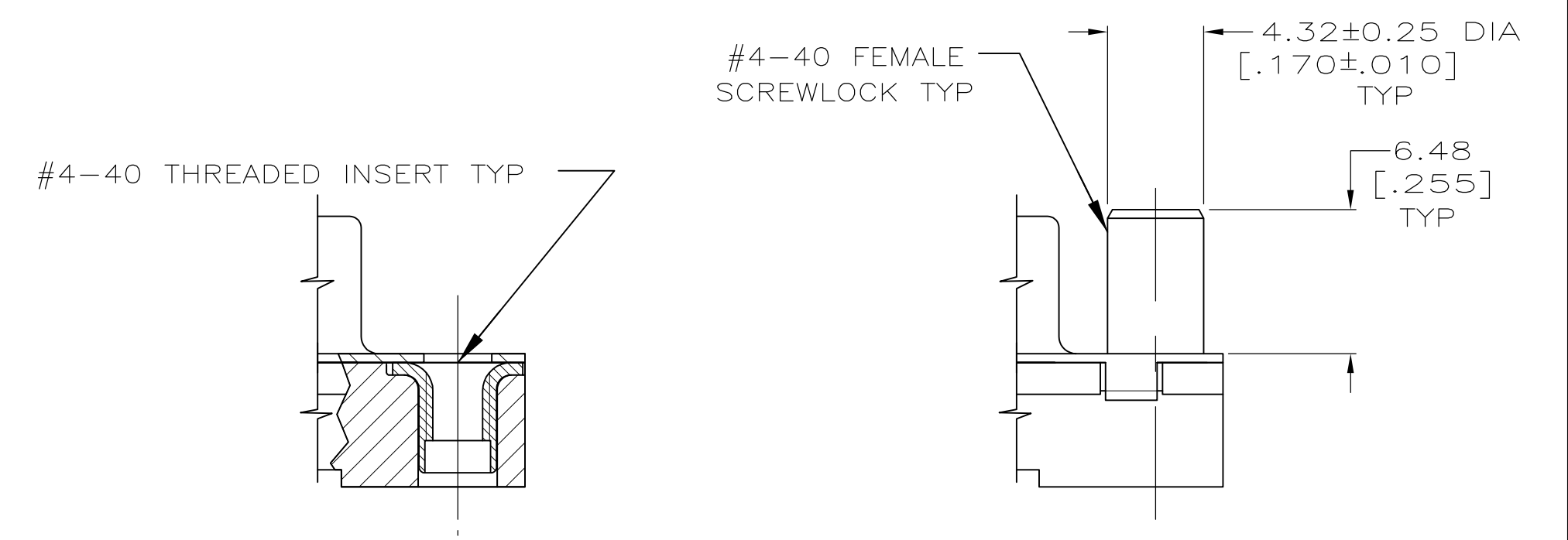
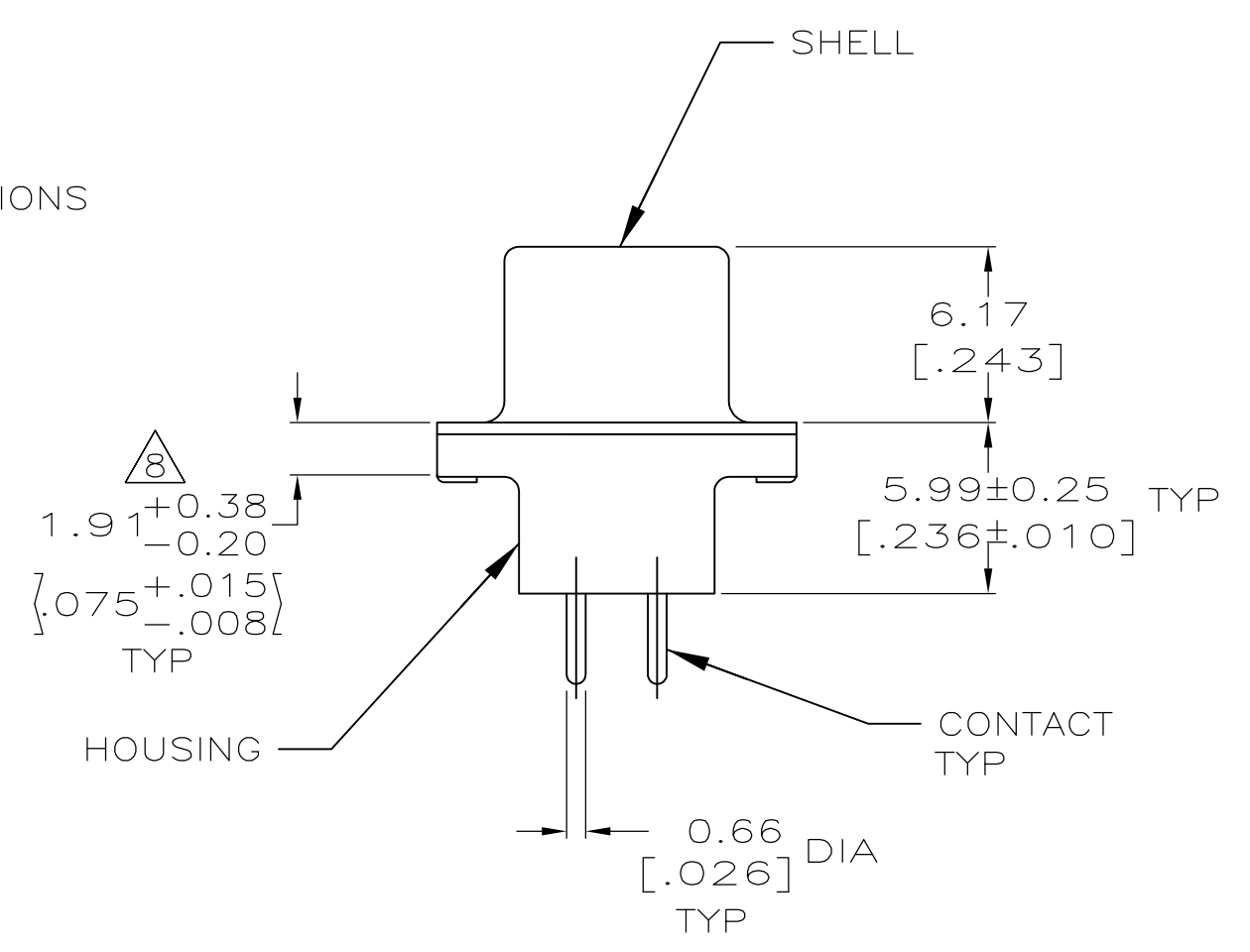
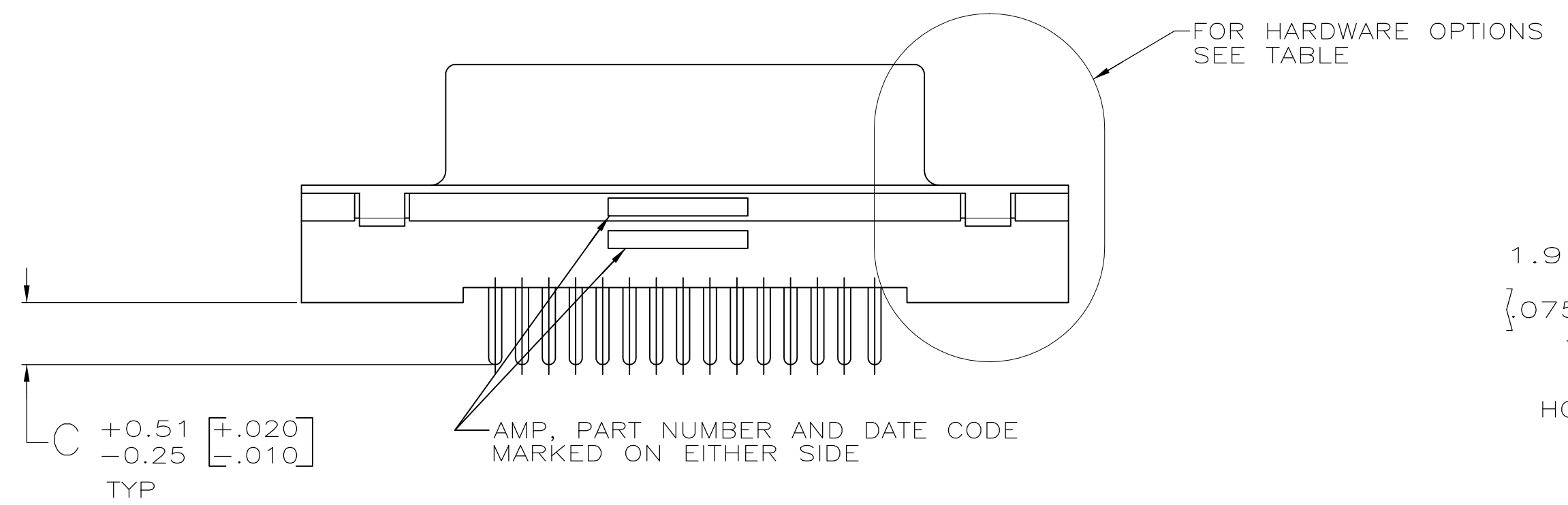
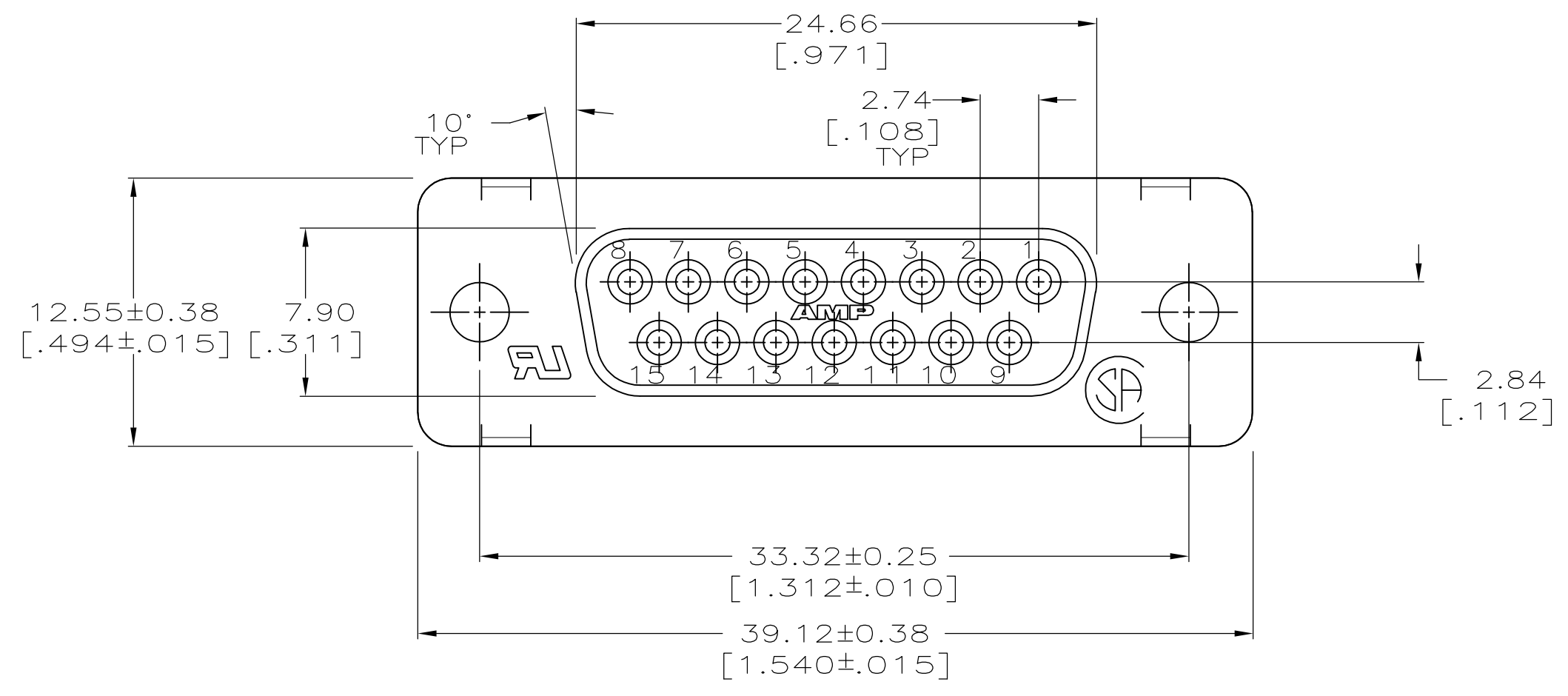


LOC		DIST		REVISIONS			
P	LTR	DESCRIPTION	DATE	OWN	APVD		
L1		REVISED PER ECO-11-004835	11MAR11	RK	HMR		

- ▲ POLYESTER, UL 94V-0 RATED, BLACK.
- ▲ CARBON STEEL.
- ▲ 5.08um [.000200] MIN TIN OVER 2.54um [.000100] MIN COPPER.
- ▲ GOLD FLASH FOR A LENGTH OF 2.54[.100] MIN FROM MATING END, 2.54um [.000100] MIN TIN OR TIN-LEAD ON OPPOSITE END, BOTH OVER 1.27um [.000050] MIN NICKEL.
- ▲ 0.76um [.000030] MIN GOLD FOR A LENGTH OF 2.54 [.100] MIN FROM MATING END, 2.54um [.000100] MIN TIN OR TIN-LEAD ON OPPOSITE END, BOTH OVER 1.27um [.000050] MIN NICKEL.
- ▲ NOTE DELETED.
- ▲ DATUMS AND BASIC DIMENSIONS ESTABLISHED BY CUSTOMER.
- ▲ 2.79[.110] MAX IN SHELL TAB CLINCH AREAS.
- ▲ OBSOLETE PART NUMBER.
- ▲ SUPSD BY 747299-2.
- ▲ SUPSD BY 1-747299-6.



RECOMMENDED PC BOARD MOUNTING DIMENSIONS

W/FEMALE SCREWLOCKS PER DETAIL E	W/THREADED INSERTS PER DETAIL D	WO/FEMALE SCREWLOCKS OR THREADED INSERTS AS SHOWN	HARDWARE OPTIONS	CONTACTS	FINISH	C	PART NO
▲ 5	▲ 5	▲ 5					1-747299-6
▲ 4	▲ 5	▲ 5					1-747299-5
▲ 6	▲ 4	▲ 6					1-747299-4
▲ 4	▲ 4	▲ 4					1-747299-3
▲ 5	▲ 5	▲ 5					1-747299-0
▲ 5	▲ 4	▲ 5					747299-8
▲ 4	▲ 4	▲ 4					747299-7
▲ 5	▲ 5	▲ 5					747299-6
▲ 5	▲ 5	▲ 5					747299-4
▲ 6	▲ 4	▲ 6					747299-2
▲ 4	▲ 4	▲ 4					747299-1

THIS DRAWING IS A CONTROLLED DOCUMENT.

DIMENSIONS: mm(INCHES)	TOLERANCES UNLESS OTHERWISE SPECIFIED: 0 PLC ± - 2 PLC ± - 3 PLC ± 0.13 [.005] 4 PLC ± - ANGLES ± -	FINISH ▲ 3	DWN D BROCKWAY 3-22-93 CHR R STONE 9-10-93 APVD -	NAME RECEPTACLE ASSEMBLY, SIZE 2, 15 POSITION, FRONT METAL SHELL, WITH OR WITHOUT SCREWLOCKS OR INSERTS.
MATERIAL ▲ 1 ▲ 2	PRODUCT SPEC 108-40025 APPLICATION SPEC 114-40023	WEIGHT -	SIZE CAGE CODE DRAWING NO A1 00779 C=747299	RESTRICTED TO -

CUSTOMER DRAWING SCALE 4:1 SHEET 1 OF 1 REV L1